
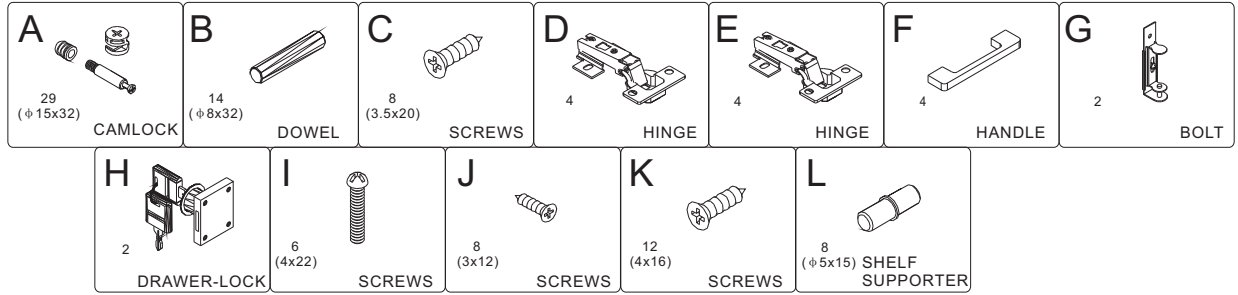
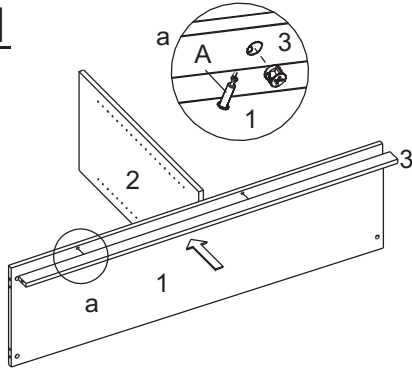


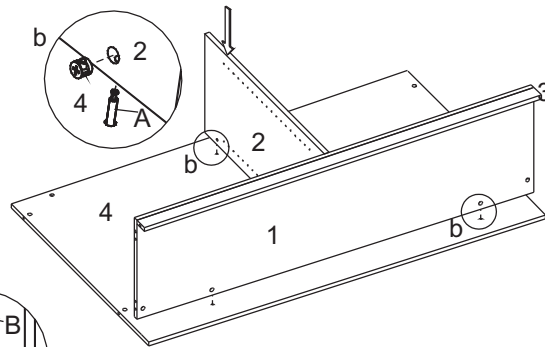
**IMPORTANT:**  
**FUNCTION OF KLIX CAM**  
 1/4 RIGHT TURN FOR LOCKING  
 MAKE SURE THE ARROW IS POINTING UPWARDS BEFORE INSERTING INTO THE PANEL HOLE



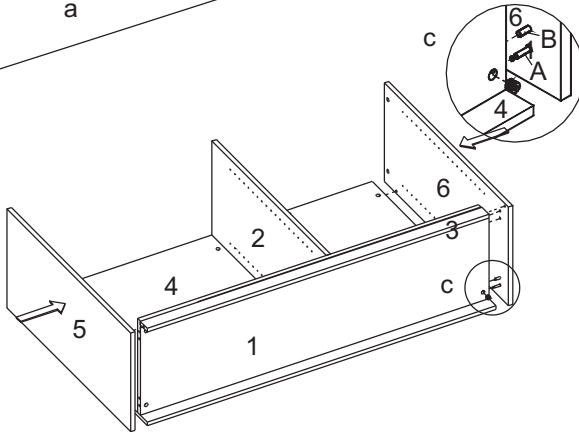
## STEP 1



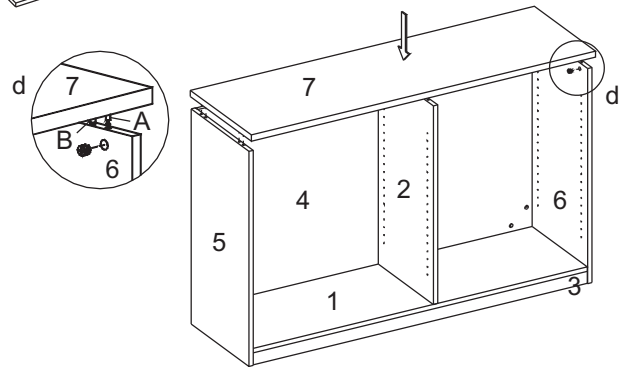
## STEP 2



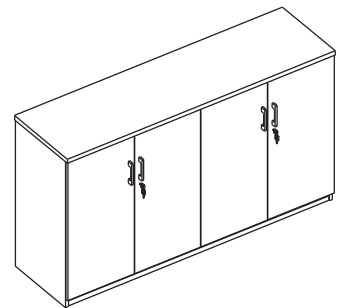
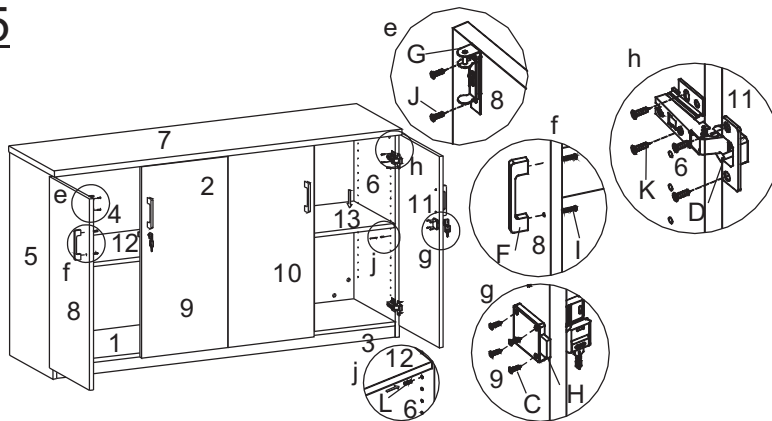
## STEP 3



## STEP 4



## STEP 5



**COMPLETED ASSEMBLY**

## IMPORTANT NOTE:

- ! Place all laminated parts on a clean and smooth surface such as a rug or carpet to avoid the parts from being scratched.
- ! Check to be sure that you have all parts and hardware .
- ! Remove all wrapping materials, including staples & packing straps before you start to assemble.
- ! Do not tighten all screws or bolts until all completely assembled.