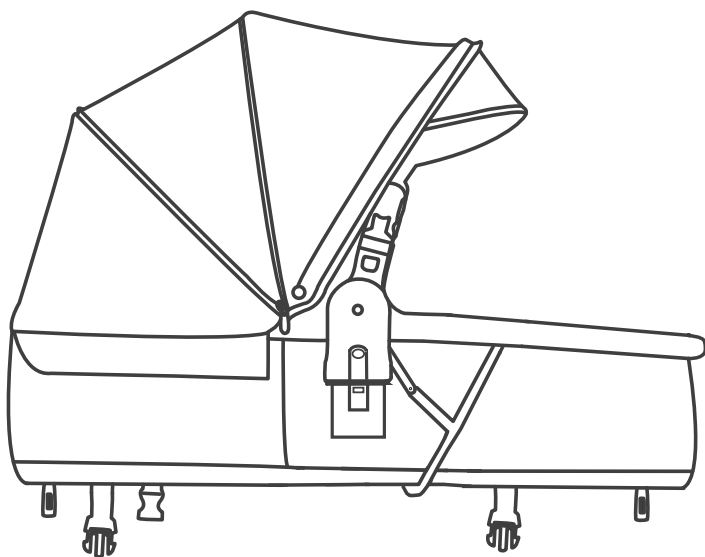


# Hatch™ Bassinet Instructions



Item: Hatch™ Bassinet  
Suitable for baby from 0-5 months old  
Max weight capacity: 20lbs

# **WARNING!**

Failure to follow these warnings and the instructions could result in serious injury or death.

**FALL HAZARD** - To help prevent falls, do not use this product when the infant begins to push up on hands and knees or has reached 7.5 inches, whichever comes first.

**SUFFOCATION HAZARD** - Infants have suffocated:

- In gaps between extra padding and side of the bassinet/cradle, &
- On soft bedding

Use only the mattress and changing pad from the manufacturer.

**NEVER** add a pillow, comforter or another mattress for padding.

To reduce the risk of SIDs, pediatricians recommend healthy infants be placed on their backs to sleep, unless otherwise advised by your physician.

**FALL HAZARD** - Always check that the bassinet is securely locked on the base/stand by pulling upwards on the bassinet bed.

If a sheet is used with the pad, use only the one provided by the bassinet or cradle manufacturer or one specifically designed to fit the dimension of the bassinet or cradle mattress.

String can cause strangulation! Do not place items with a string around a child's neck, such as hood strings or pacifier cords. Do not suspend strings over a bassinet or cradle or attach strings to toys.

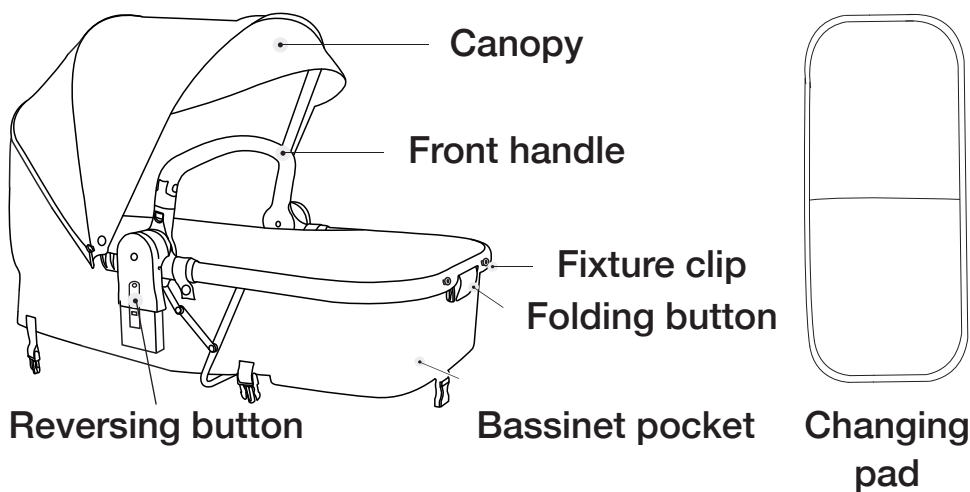
# **WARNING!**

Please read this manual carefully before using this product and keep for future reference.

1. This product can not be used individually. It has to be used with Romp & Roost® LUXE Nest™ Play Yard, Hatch™ Bassinet Frame, or Flight™ Stroller.
2. Only sleeping mode can be used when it is used with Nest™ Play Yard or Hatch™ Bassinet Frame. You can only adjust the backrest when used with the Flight™ Stroller. Keep canopy folded back when using in sleeping mode.

3. Never leave unattended.
4. Always use the five-point harness when it is used with the Flight™ Stroller. Bassinet Mattress (sold separately) to be used for sleeping mode in the Nest™ Play Yard or Hatch™ Bassinet Frame. Changing pad included.
5. Do not allow the baby to stand on the bassinet.
6. Do not hang anything on the bassinet handle.
7. Overloading, folding incorrectly or using non-approved accessories may make the bassinet unsafe.
8. This bassinet in sleeping mode is suited to a baby below 5 months of age and below 20lbs.
9. Sitting mode and playing mode can only be used with Flight™ Stroller. Sitting mode and playing mode are not suited to a baby under 5 months of age.
10. Baby should not climb into the bassinet without assistance.
11. Do not put anything on the canopy.

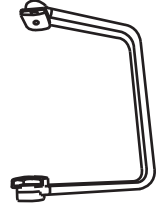
## Hatch™ Bassinet Parts Instructions



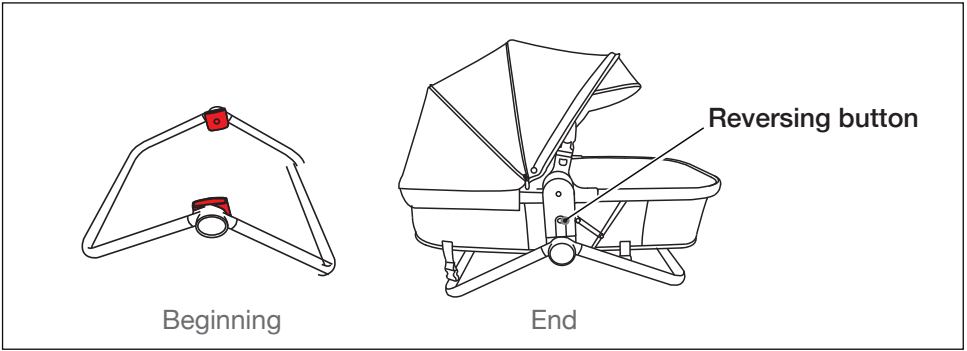
# Used with Romp & Roost® products

## Bassinet™ Bassinet Frame

This support frame is easy to carry as it weighs only 2lbs. It can support the Hatch™ Bassinet on the ground.

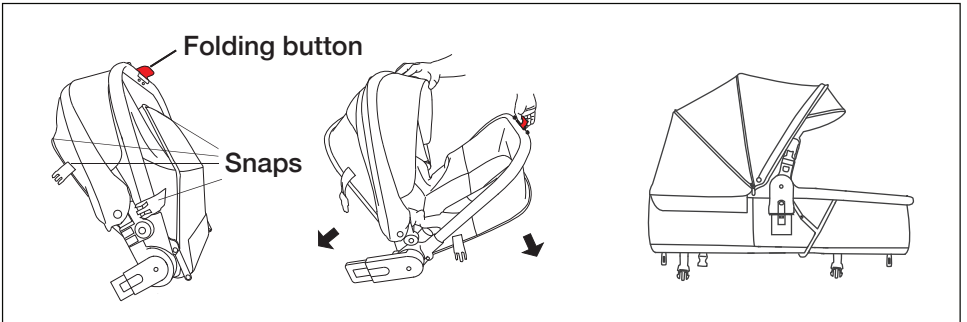


### Attach the bassinet:



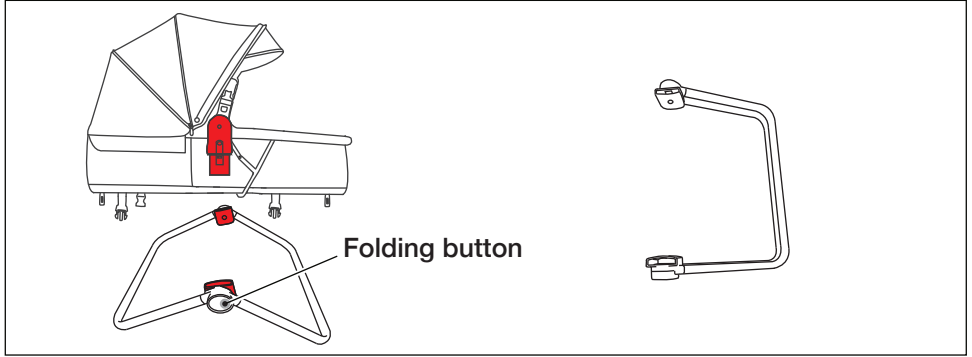
Open the support frame and put it on the ground. Make the reversing button perpendicular to the bassinet pocket, then attach the folded bassinet to the support frame connecting part by pushing down until hearing a clear “click” sound then proceed with unfolding the bassinet.

### Unfold the bassinet:



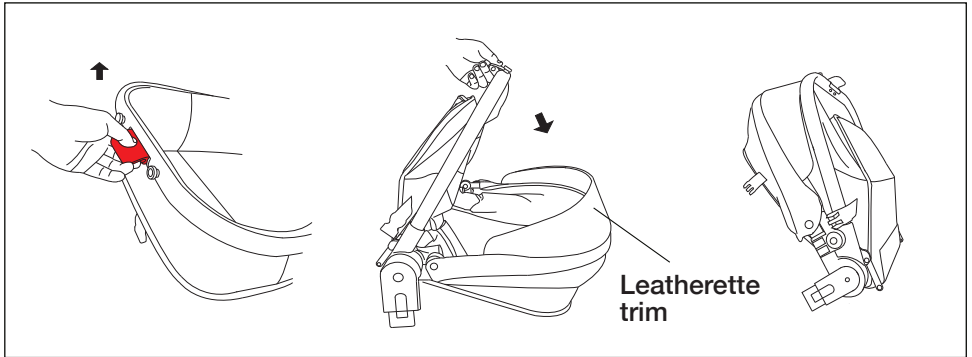
Once the bassinet is securely in frame, unhook all snaps if needed. Lift the folding buttons up to release the lock, then open up the bassinet until hearing a clear “click” sound. Attach the handlebar. Put Hatch™ Bassinet mattress with waterproof sheet on (sold separately). Use changing pad as needed.

## Remove the bassinet:



Remove Hatch™ Bassinet mattress and waterproof sheet or changing pad, whichever is being used. Press the reversing button on both sides of the bassinet to take the support frame out. To fold the support frame, press the folding button on both sides of the support frame and collapse into a folded position.

## Fold the bassinet:



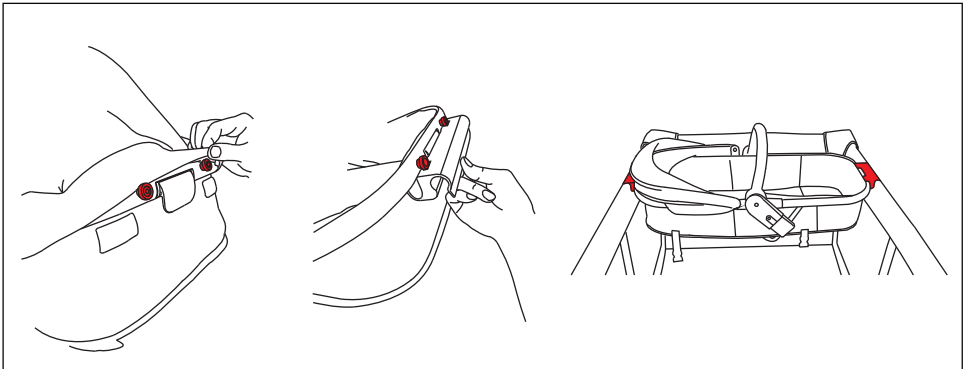
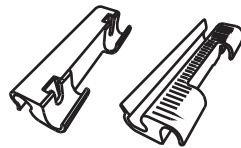
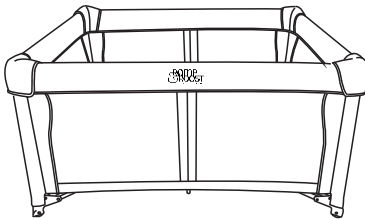
Lift the folding buttons up to release the lock, tuck the leatherette trim in, then fold the bassinet and attach the snaps by the folding buttons.

# Used with Romp & Roost® products

## Nest™ Play Yard & Adapter

The Nest™ Play Yard is super simple with a one-turn open and close. This lightweight, oversized play yard will bring your baby a safe and enjoyable experience.

This Adapter is an accessory to connect the Hatch™ Bassinet to Nest™ Play Yard.



There are 4 clips located on the top and bottom of the Hatch™ Bassinet. The top clips are covered by the canopy, and they should be exposed before the clips are inserted in the adapter holes. Insert the clips into the adapter holes. After insertion of all 4 clips, put the Hatch™ Bassinet on the Nest™ Play Yard. Make sure both adapters have been firmly connected to the Nest™ Play Yard. Insert Hatch™ Bassinet mattress and waterproof fitted sheet. Keep canopy folded during sleep mode in the Nest™ Play Yard. Use provided changing pad as needed.

## Thank you for Purchasing this Bassinet!

- This product is designed strictly in accordance with GB14748-2006, EN1888-2:2018, ASTM F833-19, ASTM F2194-16e1/16 CFR 1218.
- The company reserves the right for further product improvement. Please take the received object as standard.

## Daily Maintenance

- Regularly check your bassinet for loose screws, aging parts and breakage of sewing threads. Please repair or replace the parts in time if needed.
- Do not place heavy objects on the top of the bassinet.
- Prohibit using other non-original parts or accessories.
- Hatch™ Bassinet + Waterproof fitted sheet purchased separately.

## Soft Goods Cleaning

- For soft goods' dust and general stains, use household soap or neutral detergent to brush stains with a cleaning device. Do not use bleach.
- Avoid using a damp cloth for scrubbing. In order to avoid damage to the surface of the soft goods, do not scrub the soft goods cover too hard.
- Put the washed soft goods in a dry and ventilated place. Do not overexpose to the sun's rays.
- Changing Pad can be washed and hung to dry.
- Hatch™ Bassinet waterproof sheet is machine washable.

## Bassinet Frame Cleaning

- Use a damp cloth and mild detergent to scrub the frame.
- Do not use corrosive detergents.

If you have any questions, please email [info@rompandroost.com](mailto:info@rompandroost.com) or call us at 1-844-631-4578 and we will be happy to help. In addition, there is a video of assembly/disassembly on our website [www.rompandroost.com](http://www.rompandroost.com).

