

TAG: \_\_\_\_\_

# SUBMITTAL

## R-410A Ducted Split System 20 Series, Inverter Systems - 60 Hz 4MXA2048A1 / 4TXD2060A1 and 4MXA2060A1 / 4TXD2060A1

### Specifications - IP

MODEL – Heat Pump	4MXA2048A1 / 4TXD2060A1	
	Cooling	Heating
RATED Volts/PH	208 / 230 / 1	
Frequency (Hz)	60Hz	
Rated Cooling / Heating Capacity (Btu/h):	48000	48000
Minimum Cooling Capacity (@95°F) (Btu/h): ②	17500	-
Maximum Cooling Capacity (@95°F) (Btu/h): ②	48900	-
Minimum Heating Capacity (@47°F) (Btu/h): ②	-	15900
Maximum Heating Capacity (@47°F) (Btu/h): ②	-	50000
Rated Heating Capacity (@17°F) (Btu/h): ②	-	32000
Total Capacity (W):	14070	14070
Nominal Power Input (W)	4170	4310
Nominal Input Current (A)	18.0	18.0
SEER / HSPF	18.0	10.5
EER / COP (Btu/h/W)	11.5	11.12
Air Flow Volume (CFM)	4700	
Dehumidifying Volume (pt./h)	9.94	
<b>Indoor Unit</b>	<b>4MXA2048A1</b>	
Fan Motor Speed (r/min)	840	
Fan Motor RLA(A)	3.2	
Evaporator	Aluminum Fin-Copper Tube	
Pipe Diameter (inch)	3/8	
Rows - Fins per inch	4 - 14	
Coil length (L) x height (H) x coil width (W) (inch)	16 11/32 x 3 15/32 x 24	
Sound PRESSURE Level dB (A) ①	50	
Uncrated Dimension (HxWxD) (inch)	24 3/4 x 21 1/4 x 57	
Crated Dimension of Package (L/W/H) (inch)	27 5/16 x 26 x 59 3/8	
Net Weight /Gross Weight (lbs)	202.8 / 218.3	
<b>Outdoor Unit</b>	<b>4TXD2060A1</b>	
Compressor Type	Inverter Rotary	
Compressor Oil Type	FW68DA or equivalent	
Compressor RLA(A)	19.0	
Compressor Power Input(W)	6000	
Throttling Method	EEV	
Working Temp Range (°F)	5 ~ 118.4	-22 ~ 75.2
Condenser	Aluminum Fin-Copper Tube	
Pipe Diameter (inch)	φ 5/16	
Rows - Fins per inch	3 - 17	
Coil length (L) x height (H) x coil width (W) (inch)	38 x 52 x 2 1/4	
Fan Motor Speed (rpm)	800	
Fan Motor RLA (A)	1.5	
Air Flow Volume of Outdoor Unit (CFM)	4700	
Fan Diameter (inch)	20 1/2	
Defrosting Method	Automatic Defrosting	
Sound PRESSURE Level dB (A) ①	58	
Uncrated Dimension (HxWxD) (inch)	39 3/8 x 14 5/8 x 53 3/4	
Crated Dimension of Package (L/W/H) (inch)	45 3/8 x 19 3/8 x 59 1/4	
Net Weight /Gross Weight (lbs)	308.7 / 337.3	
Refrigerant Charge (lbs)	13.8	
MCA	35	
MOP	45	
<b>Connection Pipe</b>		
Gas additional charge(oz/ft)	0.2	
Outer Diameter Liquid Pipe (inch)	3/8	
Outer Diameter Gas Pipe (inch)	3/4	
Max Height Distance (ft)	49	
Max Length Distance (ft)	98	

① Sound PRESSURE Level @ 3.3 ft. dB(A)

② Capacities based on fixed compressor speed AHRI validation testing

# Specifications - SI

MODEL - Heat Pump	4MXA2048A1 / 4TXD2060A1	
	Cooling	Heating
RATED Volts/PH	208 / 230 / 1	
Frequency (Hz)	60Hz	
Rated Cooling / Heating Capacity (Btu/h):	48000	48000
Minimum Cooling Capacity (@35°C) (Btu/h): ②	17500	-
Maximum Cooling Capacity (@35°C) (Btu/h): ②	48900	-
Minimum Heating Capacity (@8.3°C) (Btu/h): ②	-	15900
Maximum Heating Capacity (@8.3°C) (Btu/h): ②	-	50000
Rated Heating Capacity (@-8.3°C) (Btu/h): ②	-	32000
Total Capacity (W):	14070	14070
Nominal Power Input (W)	4170	4310
Nominal Input Current (A)	18.0	18.0
SEER / HSPF	18.0	10.5
EER / COP (Btu/h)/W	11.5	11.12
Air Flow Volume (m³/h)	7990	
Dehumidifying Volume (L/h)	4.7	
<b>Indoor Unit</b>		
	<b>4MXA2048A1</b>	
Fan Motor Speed (r/min)	840	
Fan Motor RLA(A)	3.2	
Evaporator	Aluminum Fin-Copper Tube	
Pipe Diameter (mm)	φ 9.52	
Rows - Fins per inch	4 - 14	
Coil length (L) x height (H) x coil width (W) (mm)	415 x 88 x 609.6	
Sound PRESSURE Level dB (A) ①	50	
Uncrated Dimension (HxWxD) (mm)	630 x 540 x 1448	
Crated Dimension of Package (L/W/H) (mm)	693 x 660 x 1508	
Net Weight /Gross Weight (kg)	92 / 99	
<b>Outdoor Unit</b>		
	<b>4TXD2060A1</b>	
Compressor Type	Inverter Rotary	
Compressor Oil Type	FW68DA or equivalent	
Compressor RLA(A)	19.0	
Compressor Power Input(W)	6000	
Throttling Method	EEV	
Working Temp Range (°C)	-15 ~ 48	-30 ~ 24
Condenser	Aluminum Fin-Copper Tube	
Pipe Diameter (mm)	φ 7.94	
Rows - Fins per inch	3 - 17	
Coil length (L) x height (H) x coil width (W) (mm)	964 x 1320 x 57.15	
Fan Motor Speed (rpm)	800	
Fan Motor RLA (A)	1.5	
Air Flow Volume of Outdoor Unit (m³h)	7990	
Fan Diameter (mm)	520	
Defrosting Method	Automatic Defrosting	
Sound PRESSURE Level dB (A)①	58	
Uncrated Dimension (HxWxD) (mm)	1000 x 370 x 1365	
Crated Dimension of Package (L/W/H) (mm)	1153 x 493 x 1505	
Net Weight /Gross Weight (kg)	140 / 153	
Refrigerant Charge (kg)	6.25	
MCA	35	
MOP	45	
<b>Connection Pipe</b>		
Gas additional charge(g/m)	18.6	
Outer Diameter Liquid Pipe (mm)	φ 9.5	
Outer Diameter Gas Pipe (mm)	φ 19	
Max Height Distance (m)	15	
Max Length Distance (m)	30	

① Sound PRESSURE Level @ 3.3 ft. dB(A)

② Capacities based on fixed compressor speed AHRI validation testing

# Specifications - IP

MODEL – Heat Pump	4MXA2060A1 / 4TXD2060A1	
	Cooling	Heating
RATED Volts/PH	208 / 230 / 1	
Frequency (Hz)	60Hz	
Rated Cooling / Heating Capacity (Btu/h):	54000	54000
Minimum Cooling Capacity (@95°F) (Btu/h): ②	18000	-
Maximum Cooling Capacity (@95°F) (Btu/h): ②	55000	-
Minimum Heating Capacity (@47°F) (Btu/h): ②	-	16000
Maximum Heating Capacity (@47°F) (Btu/h): ②	-	56000
Rated Heating Capacity (@17°F) (Btu/h): ②	-	36000
Total Capacity (W):	15830	15830
Nominal Power Input (W)	5140	4580
Nominal Input Current (A)	23.0	21.0
SEER / HSPF	17.0	10.0
EER / COP (Btu/h)/W	10.5	11.80
Air Flow Volume (CFM)	4700	
Dehumidifying Volume (pt./h)	13.29	

Indoor Unit	4MXA2060A1
Fan Motor Speed (r/min)	920
Fan Motor RLA (A)	3.2
Evaporator	Aluminum Fin-Copper Tube
Pipe Diameter (inch)	3/8
Rows - Fins per inch	4 - 14
Coil length (L) x height (H) x coil width (W) (inch)	16 11/32 x 3 15/32 x 24
Sound PRESSURE Level dB (A) ①	51
Uncrated Dimension (HxWxD) (inch)	24 3/4 x 21 1/4 x 57
Crated Dimension of Package (L/W/H) (inch)	27 5/16 x 26 x 59 3/8
Net Weight /Gross Weight (lbs)	202.8 / 218.3

Outdoor Unit	4TXD2060A1
Compressor Type	Inverter Rotary
Compressor Oil Type	FW68DA or equivalent
Compressor RLA(A)	19.0
Compressor Power Input(W)	6000
Throttling Method	EEV
Working Temp Range (°F)	5 ~ 118.4      -22 ~ 75.2
Condenser	Aluminum Fin-Copper Tube
Pipe Diameter (inch)	φ 5/16
Rows - Fins per inch	3 - 17
Coil length (L) x height (H) x coil width (W) (inch)	38 x 52 x 2 1/4
Fan Motor Speed (rpm)	800
Fan Motor RLA (A)	1.5
Air Flow Volume of Outdoor Unit (CFM)	4700
Fan Diameter (inch)	20 1/2
Defrosting Method	Automatic Defrosting
Sound PRESSURE Level dB (A)①	58
Uncrated Dimension (HxWxD) (inch)	39 3/8 x 14 5/8 x 53 3/4
Crated Dimension of Package (L/W/H) (inch)	45 3/8 x 19 3/8 x 59 1/4
Net Weight /Gross Weight (lbs)	308.7 / 337.3
Refrigerant Charge (lbs)	13.8
MCA	35
MOP	45

Connection Pipe	
Gas additional charge(oz/ft)	0.2
Outer Diameter Liquid Pipe (inch)	3/8
Outer Diameter Gas Pipe (inch)	3/4
Max Height Distance (ft)	49
Max Length Distance (ft)	98

- ① Sound PRESSURE Level @ 3.3 ft. dB(A)  
 ② Capacities based on fixed compressor speed AHRI validation testing

# Specifications - SI

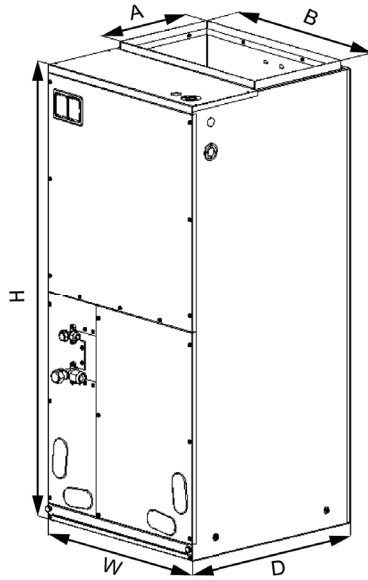
MODEL – Heat Pump	4MXA2060A1 / 4TXD2060A1	
	Cooling	Heating
RATED Volts/PH	208 / 230 / 1	
Frequency (Hz)	60Hz	
Rated Cooling / Heating Capacity (Btu/h):	54000	54000
Minimum Cooling Capacity (@35°C) (Btu/h): ②	18000	-
Maximum Cooling Capacity (@35°C) (Btu/h): ②	55000	-
Minimum Heating Capacity (@8.3°C) (Btu/h): ②	-	16000
Maximum Heating Capacity (@8.3°C) (Btu/h): ②	-	56000
Rated Heating Capacity (@-8.3°C) (Btu/h): ②	-	36000
Total Capacity (W):	15830	15830
Nominal Power Input (W)	5140	4580
Nominal Input Current (A)	23.0	21.0
SEER / HSPF	17.0	10.0
EER / COP (Btu/h)/W	10.5	11.80
Air Flow Volume (m <sup>3</sup> /h)	7990	
Dehumidifying Volume (L/h)	6.28	
<b>Indoor Unit</b>	<b>4MXA2060A1</b>	
Fan Motor Speed (r/min)	920	
Fan Motor RLA (A)	3.2	
Evaporator	Aluminum Fin-Copper Tube	
Pipe Diameter (mm)	φ 9.52	
Rows - Fins per inch	4 - 14	
Coil length (L) x height (H) x coil width (W) (mm)	415 x 88 x 609.6	
Sound PRESSURE Level dB (A) ①	51	
Uncrated Dimension (HxWxD) (mm)	630 x 540 x 1448	
Crated Dimension of Package (L/W/H) (mm)	693 x 660 x 1508	
Net Weight /Gross Weight (kg)	92 / 99	
<b>Outdoor Unit</b>	<b>4TXD2060A1</b>	
Compressor Type	Inverter Rotary	
Compressor Oil Type	FW68DA or equivalent	
Compressor RLA(A)	19.0	
Compressor Power Input(W)	6000	
Throttling Method	EEV	
Working Temp Range (°C)	-15 ~ 48	-30 ~ 24
Condenser	Aluminum Fin-Copper Tube	
Pipe Diameter (mm)	φ 7.94	
Rows - Fins per inch	3 - 17	
Coil length (L) x height (H) x coil width (W) (mm)	964 x 1320 x 57.15	
Fan Motor Speed (rpm)	800	
Fan Motor RLA (A)	1.5	
Air Flow Volume of Outdoor Unit (m <sup>3</sup> /h)	7990	
Fan Diameter (mm)	527	
Defrosting Method	Automatic Defrosting	
Sound PRESSURE Level dB (A)①	58	
Uncrated Dimension (HxWxD) (mm)	1000 x 370 x 1365	
Crated Dimension of Package (L/W/H) (mm)	1153 x 493 x 1505	
Net Weight /Gross Weight (kg)	140 / 153	
Refrigerant Charge (kg)	6.25	
MCA	35	
MOP	45	
<b>Connection Pipe</b>		
Gas additional charge(g/m)	18.6	
Outer Diameter Liquid Pipe (mm)	φ 9.5	
Outer Diameter Gas Pipe (mm)	φ 19	
Max Height Distance (m)	15	
Max Length Distance (m)	30	

① Sound PRESSURE Level @ 3.3 ft. dB(A)

② Capacities based on fixed compressor speed AHRI validation testing

# Unit Dimensions

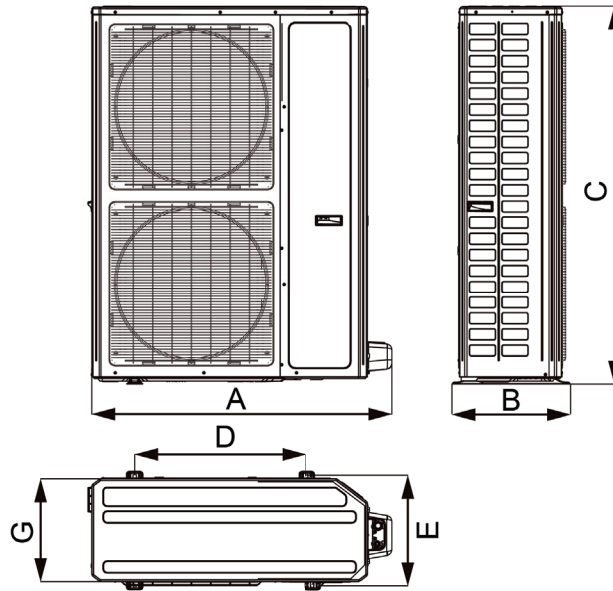
## Indoor Units 48K & 60K



Unit: inch(mm)

Model	Dimensions	W	D	H	A	B
4MXA2048A1		24-3/4	21-1/4	57	11-5/8	20
4MXA2060A1		(630)	(540)	(1448)	(295)	(508)

## Outdoor Unit 60K



Unit: inch(mm)

Model	Dimensions	A	B	C	D	E	G
4TXD2060A1		42-3/4	16-7/8	53-3/4	24-1/2	15-1/2	14-1/2
		(1085)	(427)	(1365)	(620)	(395)	(370)

# Performance Data

For 4TXD2060A1 / 4MXA2048A1:

## Cooling Mode Performance Data

Outdoor Temperature		Return Air Temperature					
		60F (15C)		70F (21C)		80F (27C)	
DB C	DB F	Capacity	SHC	Capacity	SHC	Capacity	SHC
10	50	29640	21044	40800	28968	48000	35040
18	65	29800	21754	40800	29784	48000	35040
24	75	31200	22402	40800	29294	48000	34464
30	85	31200	22620	40800	29580	48900	35453
35	95	31200	22776	40800	29784	48900	35697
41	105	29800	21158	40800	28968	48000	34080
46	115	27270	20180	35400	26196	43500	32190

- DB - Dry Bulb
- SHC - Sensible Heat Capacity (BtuH)

## Heating Mode Performance Data

Outdoor Temperature		Return Air Temperature		
		60F (15C)	70F (21C)	80F (27C)
DB C	DB F	Capacity	Capacity	Capacity
-30	-22	26600	26400	25800
-26	-15	30000	28500	27900
-21	-5	34500	34200	33500
-15	5	43900	43000	39700
-8	17	48500	48000	44000
0	32	48500	48000	47000
8	47	48500	50000	47500
15	60	52500	52000	49000

- DB - Dry Bulb

Capacities in these performance tables reflect normal operation at the temperatures indicated. See specification tables above for certified values under prescribed test conditions.

**For 4TXD2060A1 / 4MXA2060A1:**

**Cooling Mode Performance Data**

Outdoor Temperature		Return Air Temperature					
		60F (15C)		70F (21C)		80F (27C)	
DB C	DB F	Capacity	SHC	Capacity	SHC	Capacity	SHC
10	50	30500	21350	45900	32130	54000	36990
18	65	30500	21045	45900	32130	54000	37800
24	75	32100	22406	45900	32038	54000	37692
30	85	32100	22310	45900	31901	55000	38225
35	95	32100	22470	45900	32130	55000	38500
41	105	30100	20769	45900	31671	54000	37260
46	115	28000	19880	36000	25560	46000	32660

- DB - Dry Bulb
- SHC - Sensible Heat Capacity (BtuH)

**Heating Mode Performance Data**

Outdoor Temperature		Return Air Temperature		
		60F (15C)	70F (21C)	80F (27C)
DB C	DB F	Capacity	Capacity	Capacity
-30	-22	28400	27000	26000
-26	-15	33000	32000	31000
-21	-5	38000	37000	35000
-15	5	45000	44000	42000
-8	17	50000	49000	45000
0	32	55000	54000	52000
8	47	55000	56000	52000
15	60	60600	60000	50000

- DB - Dry Bulb

Capacities in these performance tables reflect normal operation at the temperatures indicated. See specification tables above for certified values under prescribed test conditions.

**About Trane and American Standard Heating and Air Conditioning**  
Trane and American Standard create comfortable, energy efficient indoor environments for residential applications. For more information, please visit [www.trane.com](http://www.trane.com) or [www.americanstandardair.com](http://www.americanstandardair.com)

---



The AHRI Certified mark indicates company participation in the AHRI Certification program. For verification of individual certified products, go to [ahridirectory.org](http://ahridirectory.org).

The manufacturer has a policy of continuous data improvement and it reserves the right to change design and specifications without notice. We are committed to using environmentally conscious print practices.