

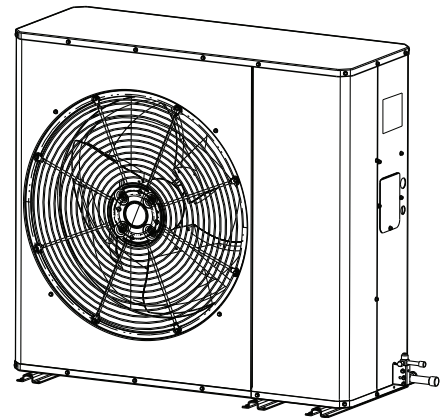


# Submittal

## Side Discharge Variable Speed HP

*For coastal applications where units are installed within one (1) mile of salt water, epoxy coated models are recommended. These models have an 8 week lead time after order.*

4TWL9036A1000A	<b>Epoxy Coated Model</b> 4TWL9036A1COTA
----------------	---



*Note: "Graphics in this document are for representation only. Actual model may differ in appearance."*

TAG: \_\_\_\_\_

### ▲ SAFETY WARNING

Only qualified personnel should install and service the equipment. The installation, starting up, and servicing of heating, ventilating, and air-conditioning equipment can be hazardous and requires specific knowledge and training. Improperly installed, adjusted or altered equipment by an unqualified person could result in death or serious injury. When working on the equipment, observe all precautions in the literature and on the tags, stickers, and labels that are attached to the equipment.

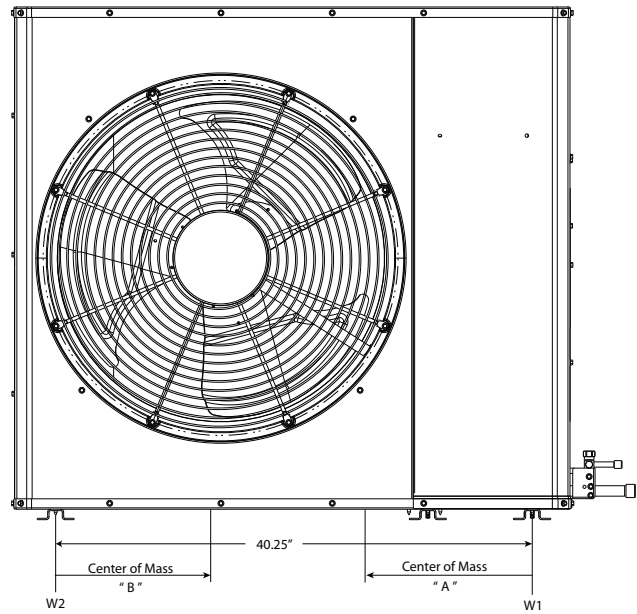


# Product Specifications

<b>OUTDOOR UNIT</b> <sup>(a) (b)</sup>	4TWL9036A1XXXXA
POWER CONNS. — V/PH/HZ <sup>(c)</sup>	208-230/1/60
MIN. BRCH. CIR. AMPACITY	26.9
BR. CIR. PROT. RTG. — MAX. (AMPS)	30
<b>COMPRESSOR</b>	CLIMATUFF®- SCROLL
NO. USED — NO. STAGES	1 — Variable
VOLTS/PH/HZ	208-230/1/60
R.L. AMPS <sup>(d)</sup> / L.R. AMPS	12.4 / 48.9
<b>FACTORY INSTALLED</b>	
START COMPONENTS <sup>(e)</sup>	NO
INSULATION/SOUND BLANKET	YES
SUMP HEAT	YES
<b>OUTDOOR FAN</b>	PROPELLER
DIA. (IN.) — NO. USED	27.5 — 1
TYPE DRIVE — NO. SPEEDS	DIRECT — VARIABLE
CFM @ 0.0 IN. W.G. <sup>(f)</sup>	2400
NO. MOTORS — HP	1 — 1/2
MOTOR SPEED R.P.M.	200-1050
VOLTS/PH/HZ	325-385 VDC/3/60
F.L. AMPS	2.3
<b>OUTDOOR COIL — TYPE</b>	PLATE FIN
ROWS — F.P.I.	2 — 16
FACE AREA (SQ. FT.)	12.88
TUBE SIZE (IN.)	5/16
<b>REFRIGERANT</b>	
LBS. — R-410A (O.D. UNIT) <sup>(g)</sup>	8 LBS, 0 OZ
FACTORY SUPPLIED	YES
LINE SIZE — IN. O.D. GAS <sup>(h)</sup>	3/4
LINE SIZE — IN. O.D. LIQ.	3/8
<b>CHARGING SPECIFICATIONS</b>	
SUBCOOLING — COOLING MODE	10° F
<b>DIMENSIONS</b>	H X W X D
CRATED (IN.)	42 x 56 x 24
UNCRATED (IN.)	36-3/4 X 47 X 17-1/2
<b>WEIGHT</b>	
SHIPPING (LBS.)	250
NET (LBS.)	226

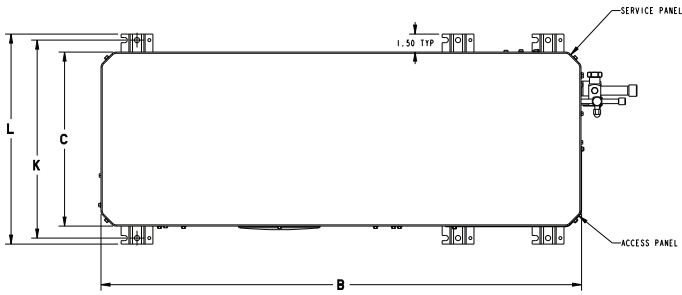
- (a) Certified in accordance with the Air-Source Unitary Air-conditioner Equipment certification program, which is based on AHRI standard 210/240.
- (b) Rated in accordance with AHRI standard 275.
- (c) Calculated in accordance with Natl. Elec. Codes. Use only HACR circuit breakers or fuses.
- (d) This value shown for compressor RLA on the unit nameplate and on this specification sheet is used to compute minimum branch circuit ampacity and max. fuse size. The value shown is the branch circuit selection current.
- (e) No means no start components. Yes means quick start kit components. PTC means positive temperature coefficient starter. Optional kit shown.
- (f) Standard Air — Dry Coil — Outdoor
- (g) This value approximate. For more precise value see unit nameplate.
- (h) Reference the outdoor unit ship-with literature for refrigerant piping length and lift guidelines. Reference the refrigerant piping software pub # 32-3312-xx or refrigerant piping application guide SS-APG006-xx for long line sets or specialty applications (xx denotes latest revision).

## Center Mass Dimensions



Model	2 Ton	3 Ton	4/5 Ton
Total Weight	206	228	247
W1 (LB)	135.63	143.03	150.35
Dim "A"	13.75	15.00	15.75
W2 (LB)	70.37	84.97	96.65
Dim "B"	26.50	25.25	24.50

# Outline Drawing



▲ SHOULD BE AT LEAST 152.4 (6 INCHES) FROM WALL AND 609.6 (2 FEET) FROM SURROUNDING SHRUBBERY ON ALL SIDES.

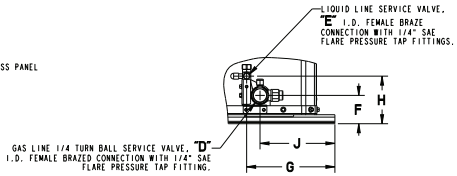


FIGURE 2

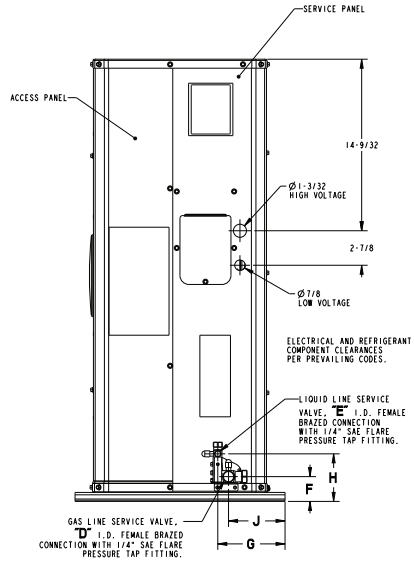
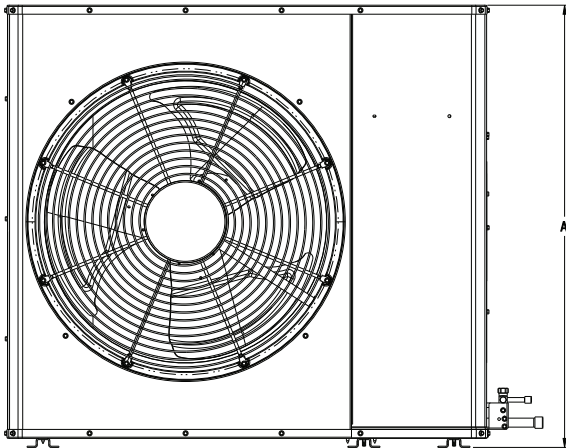
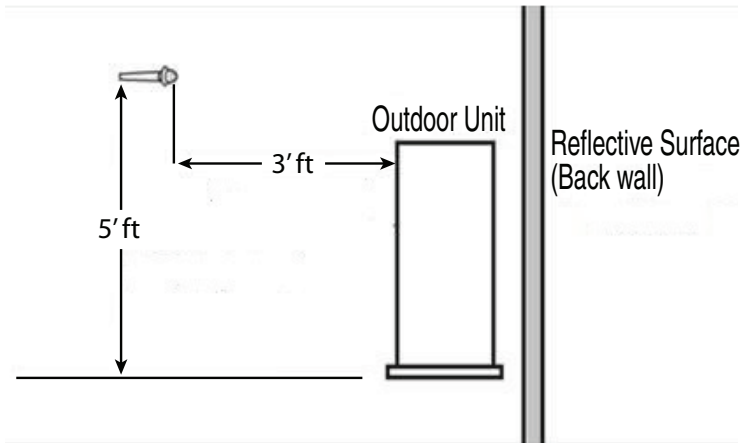


FIGURE 1

Model	Base	A	B	C	D	E	F	G	H	J	K
4TWL9036A	4.3	934 (36-3/4)	1194 (47)	445 (17-1/2)	16 (3/4)	10 (3/8)	54 (2-1/16)	159 (6-1/4)	101 (3-31/32)	187 (7-11/32)	495 (19-1/2)

# Sound Pressure Level



**Table 1. 3.0 Ton Heating**

Sound Pressure Level dB(A) per ARI 275 (Max Heating)			
# Reflective Surfaces	3' from Property Line	5' from Property Line	7' from Property Line
0	46	41	
1	49 <sup>(a)</sup>	44	
2	52	47	44

<sup>(a)</sup> Lab tested as per the illustration shown above

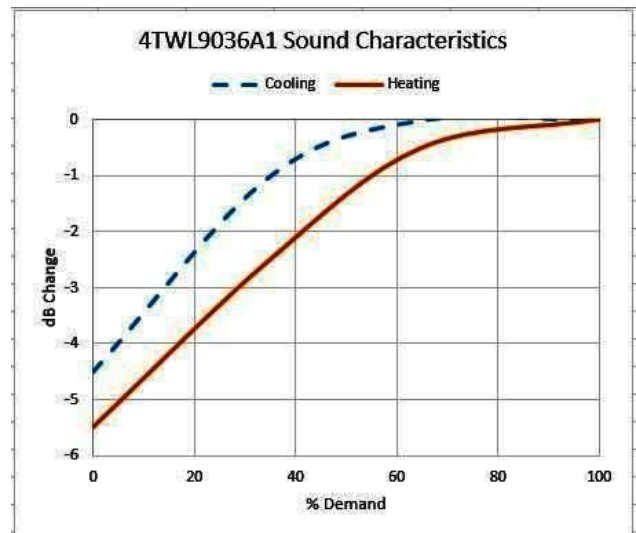
**Table 2. 3.0 Ton Cooling**

Sound Pressure Level dB(A) per ARI 275 (Max Cooling)			
# Reflective Surfaces	3' from Property Line	5' from Property Line	7' from Property Line
0	45		
1	48 <sup>(a)</sup>	43	
2	51	46	43

<sup>(a)</sup> Lab tested as per the illustration shown above

**Notes:**

- Measuring place: Hemi-Anechoic chamber
- Sound pressure level will vary depending on a range of factors such as the construction of the particular room where the equipment is installed.
- Operation sound level may differ depending on operation and ambient conditions.





# Mechanical Specification Options

## General

The Outdoor Units are charged from the factory for matched indoor section and up to 15 feet of piping. This unit is designed to operate at outdoor ambient temperatures from 55° F to 120° F in cooling. From — 10° F to 66° F in heating. Only AHRI approved indoor matches are approved for use with these models.

This outdoor unit contains the ComfortLink™ II digital communication with 2 wire connection to outdoor and Plug-n-Play set up.

## Casing

Unit is painted with a glossy corrosion resistant finish on all panels.

## Refrigerant Controls

Refrigeration system controls include condenser fan, high and low pressure switches. A factory supplied, field installed filter drier is standard.

## Compressor

Inverter driven scroll compressor with 50 to 100% output capacity. Noise enclosure minimizes sound levels and built in compressor protection will reduce operating speed and current draw to maintain operation while protecting the compressor.

## Condenser Coil

The copper tube, aluminum fin outdoor coil provides low airflow resistance and efficient heat transfer. The coil is protected by a wire guard.

## Low Ambient Cooling

As manufactured, this system has built in freeze protection that will allow cooling operation down to 45° F but will reduce capacity or shut down completely to prevent operation under adverse conditions.

## Comfort Control

The 1050/950/850 Control is required and provides Plug-n-Play setup and 3 wire connection.



Ingersoll Rand (NYSE: IR) advances the quality of life by creating comfortable, sustainable and efficient environments. Our people and our family of brands — including Club Car®, Ingersoll Rand®, Thermo King® and Trane® — work together to enhance the quality and comfort of air in homes and buildings; transport and protect food and perishables; and increase industrial productivity and efficiency. We are a global business committed to a world of sustainable progress and enduring results.



[ingersollrand.com](http://ingersollrand.com)



The AHRI Certified mark indicates Ingersoll Rand participation in the AHRI Certification program. For verification of individual certified products, go to [www.ahridirectory.org](http://www.ahridirectory.org).

Ingersoll Rand has a policy of continuous product and product data improvements and reserves the right to change design and specifications without notice.

We are committed to using environmentally conscious print practices.

4TWL9036A-SUB-1B-EN 07 Jul 2018

Supersedes 4TWL9036A-SUB-1A-EN (March 2018)

©2018 Ingersoll Rand