



ARIA

We make seriously beautiful vents.

Collection



The Originals

[08]

- [10] Aria OG
- [12] Flushmount Pro
- [15] Drywall Pro [Air Register]
- [16] Drywall Pro [Air Return]
- [19] Drywall Pro X [Exhaust Fan]

The Lites

[20]

- [22] Aria Lite
- [25] Flushmount Lite
- [27] Drywall Lite [Bead]
- [28] Drywall Lite [Frame]
- [30] Compare Models

Accessories

[32]

- [34] Drywall Receptacle Mount
- [36] Brack-14 Kit
- [37] No-See Niche
- [38] WC Niche
- [40] Anywhere Niche



Our Vision

We make thoughtful, minimalist design products that are beautiful, functional and badass.

Vents were just the beginning. Today, our business is evolving into new product categories that follow our core design principles: Simple. Modular. Functional.

Aria Vent was built on the belief that beauty and function can coexist. Our focus is to innovate building components that have been left behind by modern design trends.

That is the future of our little vent company...





A Letter From The Founder

In 2016, my dad Paolo, and I started Aria Vent in a tiny 10'x10' storage locker as a small side hustle. Armed with an innovative product, we set out on a mission; to reinvent vents.

As a disruptor, the industry didn't realize they needed Aria Vent. We had to create the demand by taking it directly to consumers - online. Aria Vent was catching speed with contractors, and the industry took notice.

Full circle, now Aria Vent products are becoming an industry standard. Aria Vent is sold in local specialty retailers (yay!) and big box stores (big yay!) across Canada and the US.

Our products have been awarded patents, and are still proudly manufactured in Canada. Today, our company has evolved into more than vents. We also make accessories, building materials, receptacle mounts and more.

Every Aria Vent product that goes through our facility (now much larger than 10'x10'- thankfully) is overseen by our team of 10 employees. We are still a tiny business, with very big goals. We just want to make cool, innovative stuff for cool, innovative spaces.

– *Roberta Mantenuto*



“Aria’s principle is to curiously challenge the status quo and find margins for innovation.”



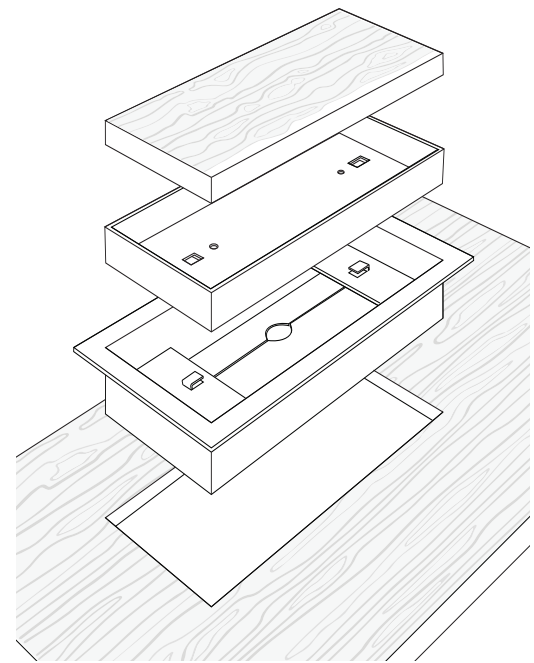
[08]

The Originals

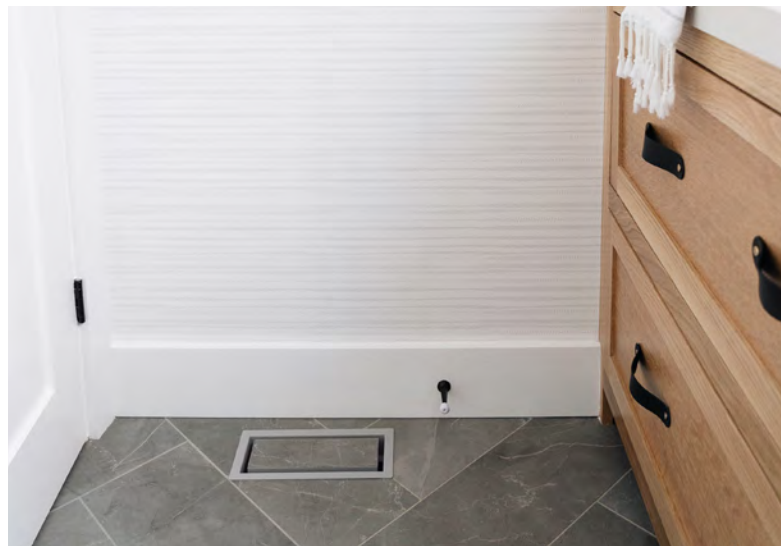
Our innovative solid steel models – a combination of Pro and DIY styles.

Aria OG	[10]
Flushmount Pro	[12]
Drywall Pro [Air Register]	[15]
Drywall Pro [Air Return]	[16]
Drywall Pro X [Exhaust Fan]	[19]



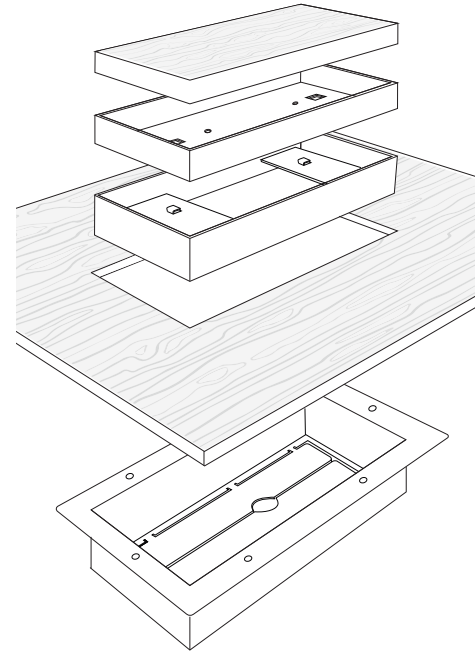


-  POWDER COATED STEEL
-  CEILINGS FLOORS WALLS
-  ADJUST AIRFLOW
-  TOP-MOUNT INSTALL
-  DIY INSTALL



Aria OG

The original "OG" is the go-to minimalist-framed vent. This solid steel vent can be retrofitted to any surface. Easy drop-in install is DIY friendly.



- 

POWDER
COATED
STEEL
- 

CEILINGS
FLOORS
WALLS
- 

ADJUST
AIRFLOW
- 

SUB-
FLOOR
INSTALL
- 

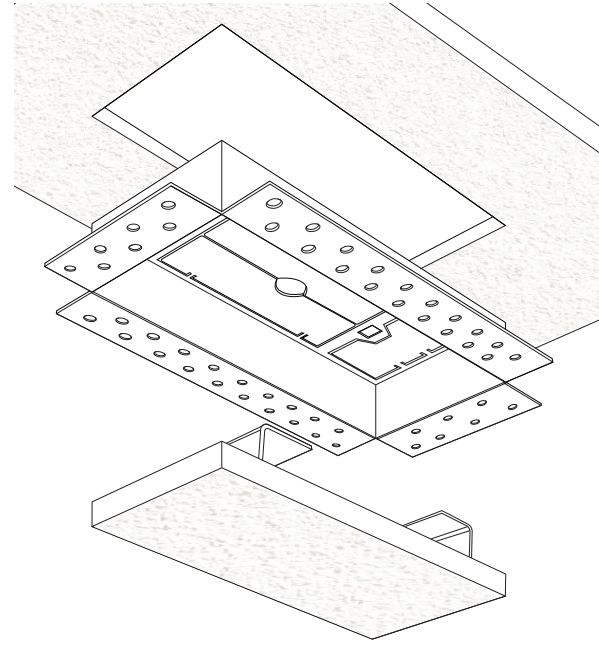
PRO
INSTALL



Flushmount Pro

The ultra-minimal, frameless floor vent. Flush with no rim - only a single rectangular air channel is visible. This solid steel vent must be mounted prior to the surface. Install is best done by a Pro.



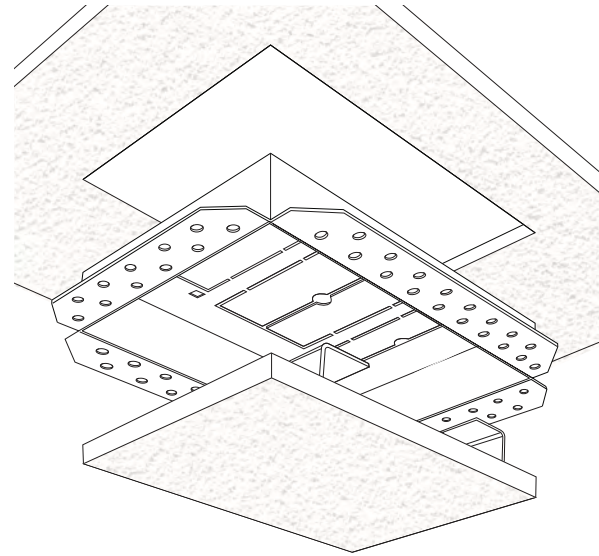


- POWDER COATED STEEL
- ONLY CEILINGS WALLS
- ADJUST AIRFLOW
- DRYWALL MUDDING
- PRO INSTALL

Drywall Pro [Air Register]

The ultra-minimal, frameless drywall vent. Made in solid steel. This model has a drywall bead frame that contours the vent into the drywall surface. Once installed, only a single rectangular air channel is visible. Install is best done by a Pro.



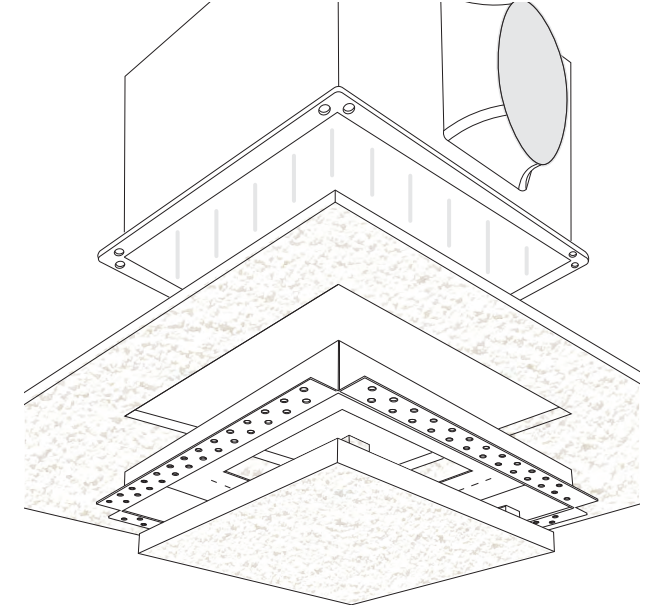


-  POWDER COATED STEEL
-  ONLY CEILINGS WALLS
-  ADJUST AIRFLOW
-  DRYWALL MUDDING
-  PRO INSTALL



Drywall Pro [Air Return]

Exactly the same design as the Drywall Pro, but we made them in bigger sizes for air returns. Designed specifically for wall and ceiling air returns on drywall surfaces.



- 

POWDER
COATED
STEEL
- 

ONLY
CEILINGS
WALLS
- 

ADJUST
AIRFLOW
- 

DRYWALL
MUDDING
- 

PRO
INSTALL



Drywall Pro X [Exhaust Fan]

This model has a dual design - it can be used as an exhaust fan cover or as a cold air return. Made with a drywall bead frame that contours into the drywall surface. Fit with a removable center plate, so you can service the exhaust fan at any time.

[20]

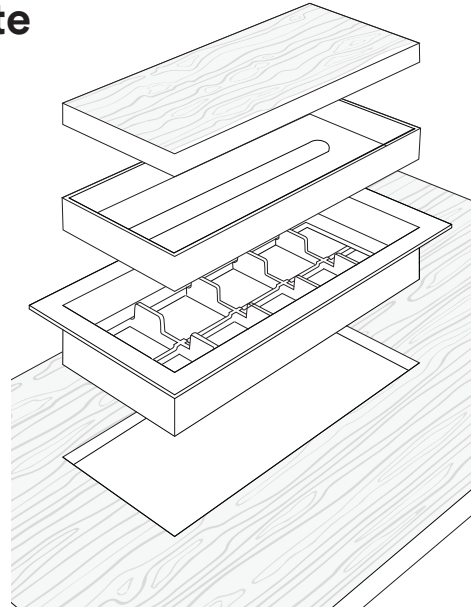
The Lites

Price-conscious alternatives to our solid steel Classic Collection. Same aesthetic but incorporating high-grade ABS plastic.

Aria Lite	[22]
Flushmount Lite	[25]
Drywall Lite [Bead]	[27]
Drywall Lite [Frame]	[28]
Compare Models	[30]

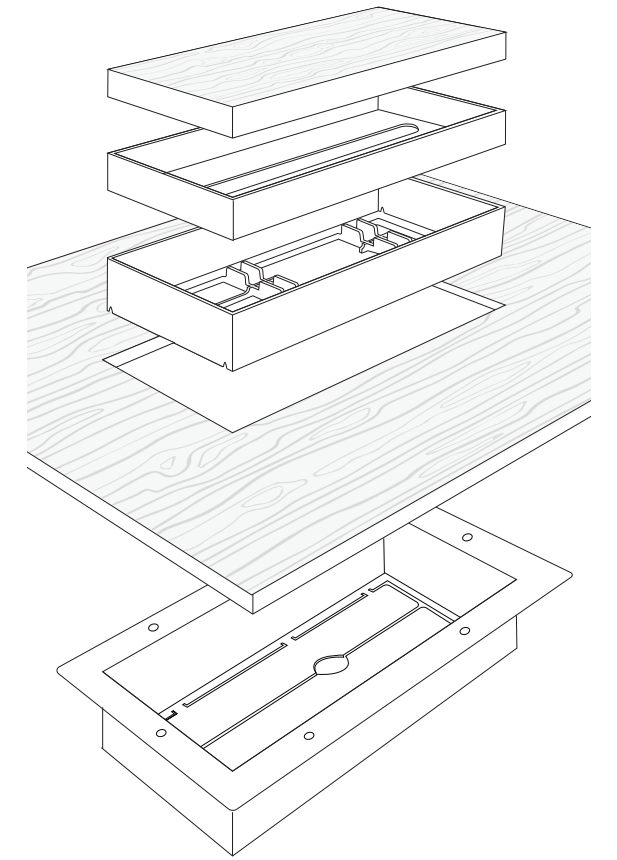
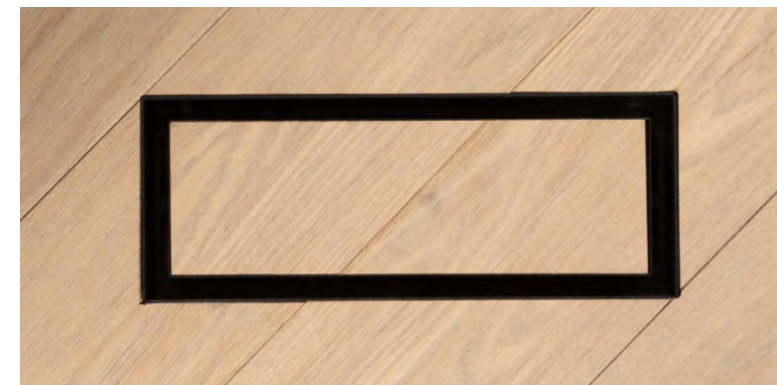








Aria Lite



The Aria Lite is our plastic version of the minimalist framed vent. Made in high-grade ABS plastic, this model can withstand heavier foot traffic than its counterpart, the Aria OG. Retrofit to any surface. Easy drop-in install is DIY friendly.

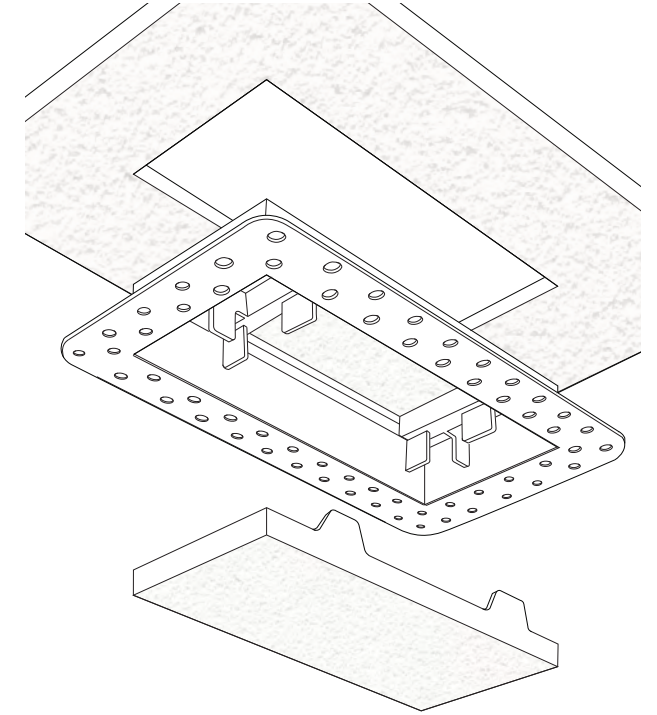




-  ABS PLASTIC
-  POWDER COATED STEEL
-  CEILING FLOORS WALLS
-  ADJUST AIRFLOW
-  SUB-FLOOR INSTALL
-  PRO INSTALL

Flushmount Lite

The Flushmount Lite is our plastic version of the ultra-minimal frameless vent. Made in a combination of ABS plastic, and solid steel. Flush with no rim. Once installed, you can barely tell the Flushmount Lite and Pro apart.



- 

ABS
PLASTIC
- 

ONLY
CEILINGS
WALLS
- 

FREE
AIRFLOW
- 

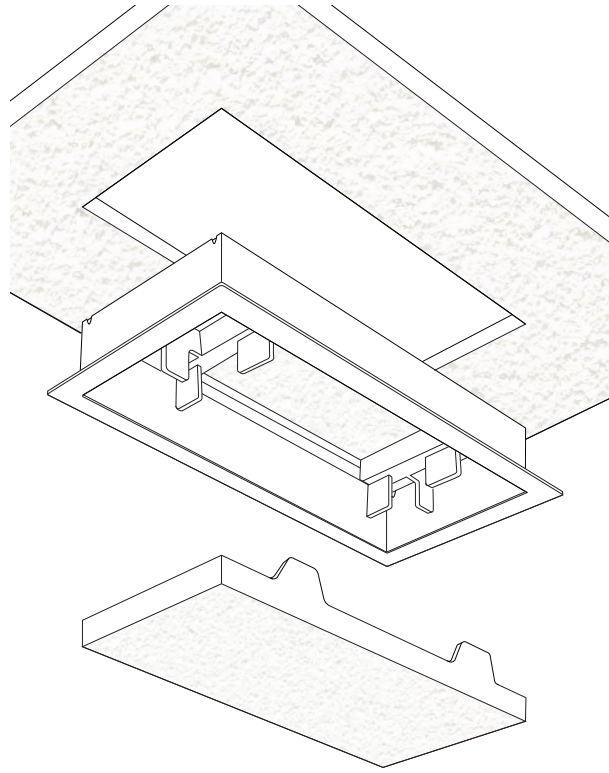
DRYWALL
MUDDING
- 

PRO
INSTALL



Drywall Lite [Bead]

The Drywall Lite Bead is our plastic version of the frameless drywall vent. Made in high-grade ABS plastic, with a drywall bead frame that contours into the surface. Once installed, the Drywall Pro and Drywall Lite Bead look identical.



ABS
PLASTIC



ONLY
CEILINGS
WALLS



FREE
AIRFLOW



TOP-
MOUNT
INSTALL



DIY
INSTALL



Drywall Lite [Frame]

Our super-easy-install alternative to the Drywall Lite Bead. Made in high-grade ABS plastic, this model has a top mount frame that lays on top of the wall and ceiling surface. No drywall mudding required. Easy drop-in install is DIY friendly.



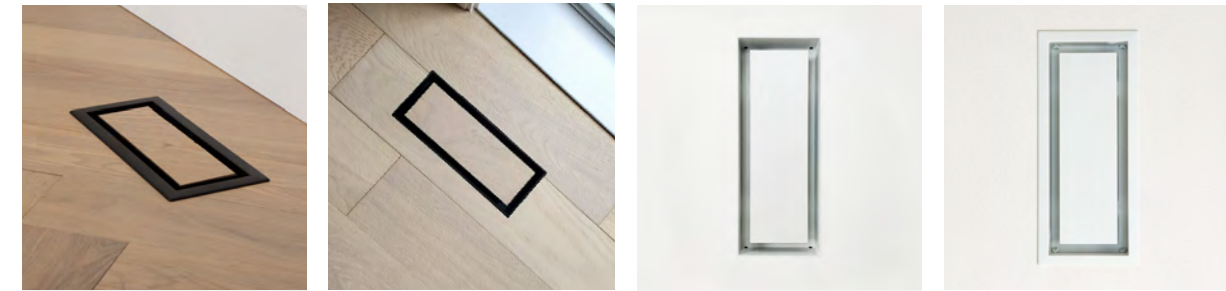
The Originals



Aria OG	Flushmount Pro	Drywall Pro [Air Register]	Drywall Pro [Air Return]	Drywall Pro X [Exhaust]
POWDER COATED STEEL	POWDER COATED STEEL	POWDER COATED STEEL	POWDER COATED STEEL	POWDER COATED STEEL
CEILINGS FLOORS WALLS	CEILINGS FLOORS WALLS	CEILINGS WALLS	CEILINGS WALLS	CEILINGS WALLS
ADJUST	ADJUST	ADJUST	ADJUST	ADJUST
DIY	PRO	PRO	PRO	PRO
TOP-MOUNT	SUB-FLOOR	DRYWALL MUDDING	DRYWALL MUDDING	DRYWALL MUDDING

Compare Models

The Lites



Aria Lite	Flushmount Lite	Drywall Lite [Bead]	Drywall Lite [Frame]
ABS PLASTIC	PLASTIC /METAL HYBRID	ABS PLASTIC	ABS PLASTIC
CEILINGS FLOORS WALLS	CEILINGS FLOORS WALLS	CEILINGS WALLS	CEILINGS WALLS
FREE	ADJUST	FREE	FREE
DIY	PRO	PRO	DIY
TOP-MOUNT	SUB-FLOOR	DRYWALL MUDDING	TOP-MOUNT

Compare Models

Compare Models

MATERIAL

APPLICATION

AIRFLOW

INSTALL DIFFICULTY

INSTALL STAGE

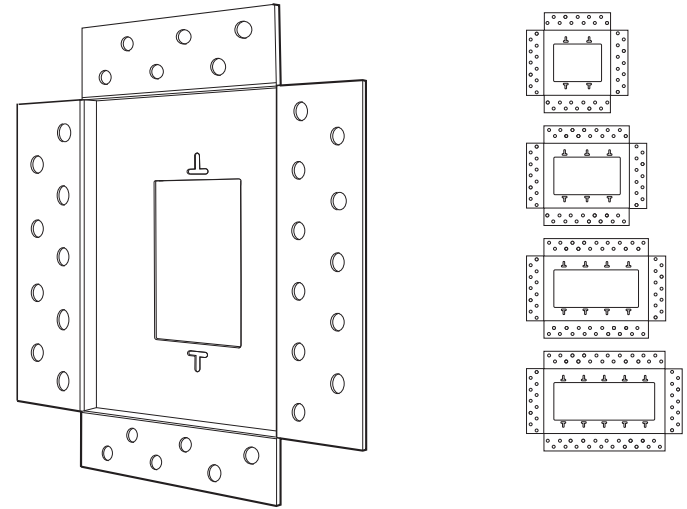
[32]

Accessories

Aria Accessories will follow our mission of making quality products that solve design challenges with simple, beautiful solutions

- Drywall Receptacle Mount [34]
- Brack-14 Kit [36]
- No-See Niche [37]
- WC Niche [38]
- Anywhere Niche [40]



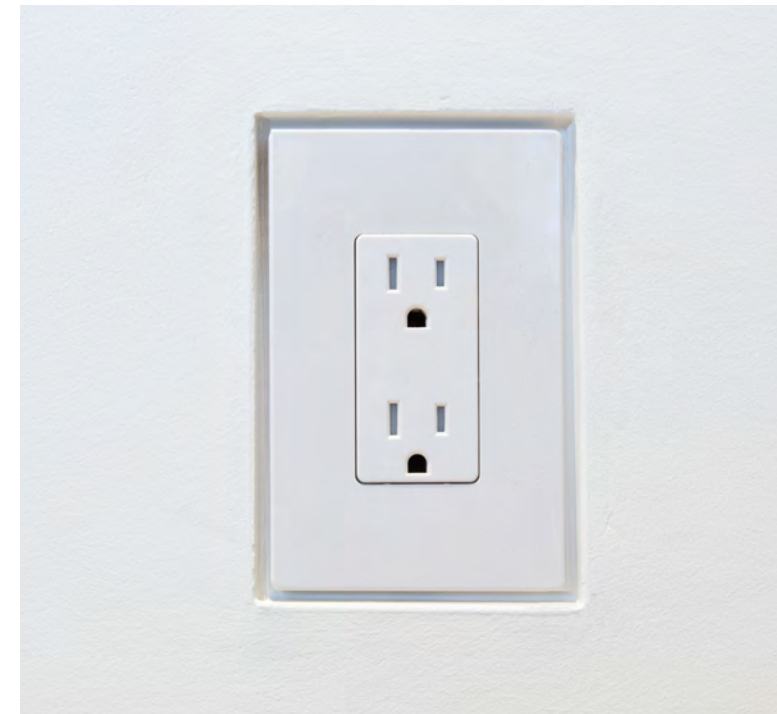


Drywall Receptacle Mount

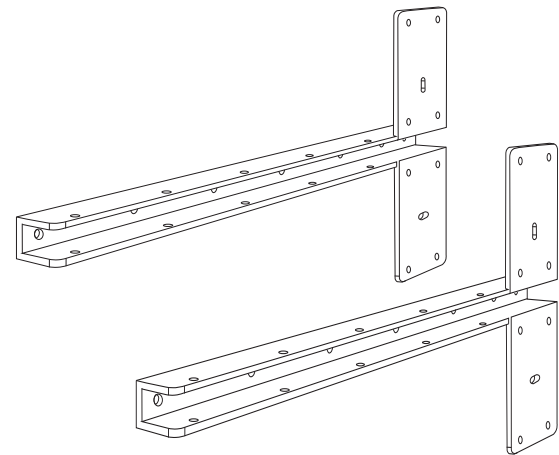
The Receptacle Mount integrates wall plates (light switches, outlets etc.) to make them flush to the surface. Install your third party wall plate to the Receptacle Mount to have a continuous clean, flush wall surface. Available in 1 gang to 5 gang.



Accessories



Accessories



Brack-14 Kit

The Brack-14 Kit is a structural support kit built to hold anything that suspends from a wall. Used it for floating benches, shower seats, cabinets and more. The modular design can be configured to accommodate any span, and heavy loads. Install is best done by a Pro.



No-See Niche

The No-See Niche is a flush drywall recessed shelf with a hinge door. This niche can be installed on any drywall surface and hides anything that fits in it. Conceal your alarm pad, internet router, and any odd things that stick out of your wall.



WC Niche

The WC Niche is the essential minimalist bathroom kit that holds all your bathroom-y stuff. Designed with a hidden door that stores a garbage bin, toilet bowl brush, extra toilet paper, and more. This niche can be installed on any drywall surface.



Anywhere Niche

The Anywhere Niche is a flush drywall recessed shelf that can be installed anywhere, for anything. Use it as a toilet paper holder, to store keys at the front door, or for spices in the kitchen. Where there's a shelf, this can help.



Accessories



Accessories



A Special Thank You...

- Avenue Design Inc. (@avenuedesigninc) & Aia Photo Video (@aiaphotovideo) *pg. 4, 9*
- Montana Labelle Design (@montanalabelle) *pg. 2*
- Goesling Group (@goeslinggroup) & Cassandra Photo (@cassandraphoto) *pg. 24*
- Gitt Construction (@gittibr) & Mandy McGregor Photography (@mandymcgregorphoto) *pg. 14, 15, 16, 19*
- Wynford Homes (@wynfordhomes) & Bianca Reino (@biancareino) *pg. 5, 10, 13, 23*
- SMR Construction Inc. @smr_constructioninc & Styled Maison (@styledmaison) *pg. 16*
- Monica Healy (@monicahealyphotography) *pg. 11*





www.ariavent.com

@ariavent

