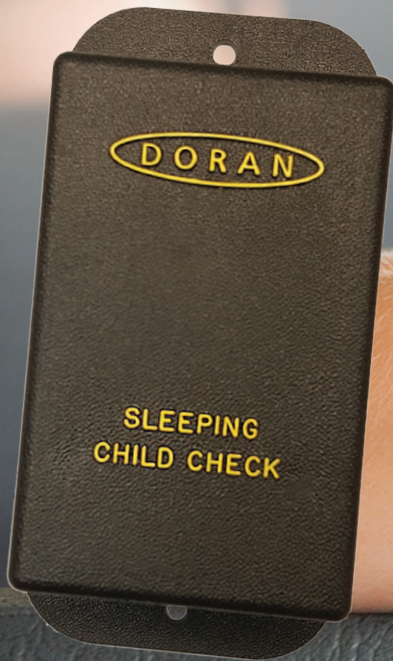




**Making sure *all* children
get home safely.**



Sleeping Child Check® Monitors

**For School Buses and Other Child
Transportation Vehicles**

The Doran Sleeping Child Check® Monitor is a simple, effective way to ensure that your drivers walk-through and inspect the vehicle at the end of a trip to help prevent leaving a child on the bus.



Doran Sleeping Child Check® Monitors for School Buses and Other Child Transportation Vehicles



Easy to Install

How it Works

The Doran Sleeping Child Check® Monitor is ARMED when the warning lights are activated after children first enter the vehicle.

When the ignition of the vehicle is turned off, the alarm becomes activated. In order to deactivate the monitor, the bus driver must move to the back of the vehicle and depress a button switch.

If the driver fails to deactivate the monitor and exits a door, the horn will sound reminding the driver to check and verify that there are not any children on the bus.

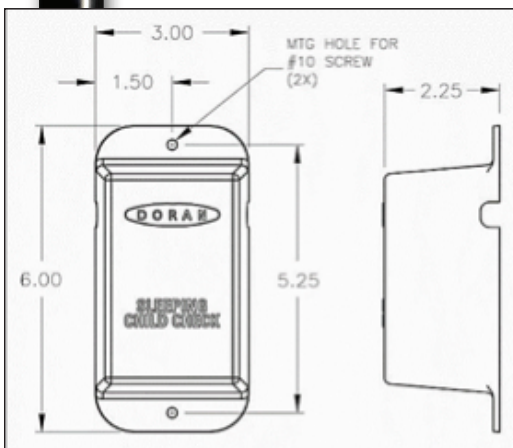


Monitor Options

OEM Version

SCC-OEM-U2

Available for new buses to be installed at the factory



Aftermarket Version

SCC-AM-00

Available as an aftermarket item which can be installed on buses that are already in service.

About Doran Manufacturing, LLC: Cincinnati, OH-based Doran Manufacturing has been supplying high quality transportation safety products for over 35 years. In addition to Sleeping Child Check® monitors, Doran supplies LED and Incandescent Exterior Light Monitors, Emergency Exit Monitors and a full range of LED lighting products to the school bus market. Doran also provides tire pressure monitoring systems and continues to manufacture customized electric terminals and terminal board in the original factory that was established in 1954.

866.816.7233

www.doranmfg.com

Doran Manufacturing, LLC
2851 Massachusetts Avenue
Cincinnati, Ohio 45225