







PARTS LIST	
Quantity	Description
10	78" Poles 
3	68" Poles 
3	50" Poles 
4	16" Poles
	  
	2-Way Connectors 7 pcs.      3-Way Flat Connectors 4 pcs.      4-Way Flat Connectors 2 pcs.
1	10' x16' Tarp

## Instructions for 10' x 16' Flat Canopy Installation

### Roof and Top:

1. Place the roof pipes on the ground with the correct connectors next to them (as shown on next page).
2. Connect the pipes and connectors.
3. Drape the tarp over the roof and secure the corners first (start with one corner and then the opposite corner) using the ball bungee's. Once the corners are secured, you may fasten the rest of the ball bungees into the remaining grommets (shown below). Please note: there will be a 4"-6" gap between the tarp and the pole.

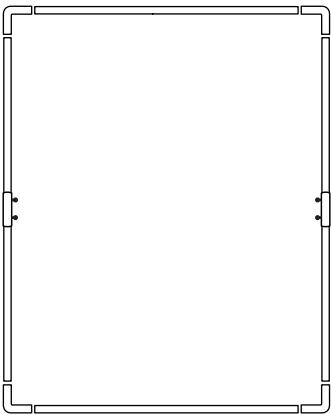


Figure 1

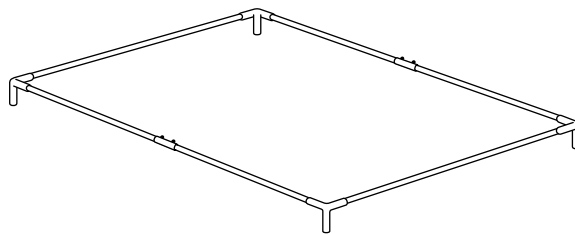


Figure 2

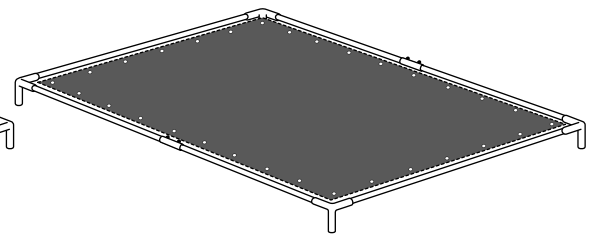


Figure 3

### Attaching the legs:

4. Lift one side of roof and slide in the leg poles first. Lift other side and insert the remaining leg poles as illustrated in figure 4.
5. Lift other side of roof and secure canopy in upright position as shown in figure 5.

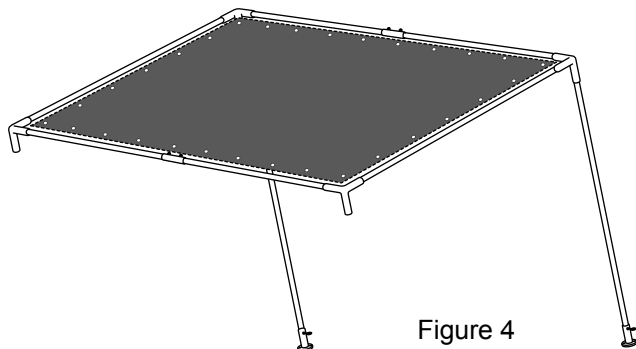


Figure 4

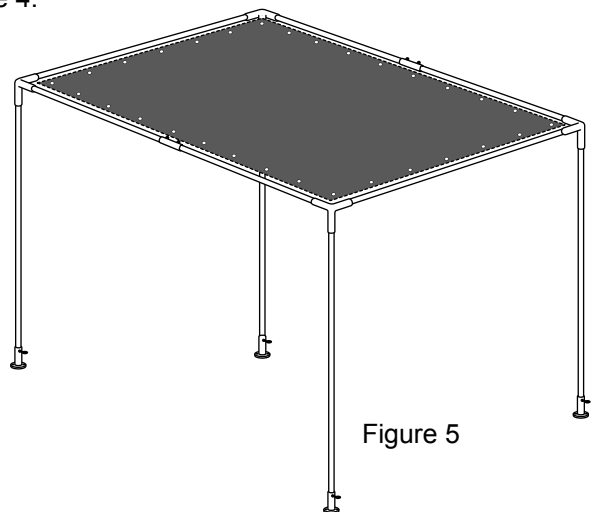


Figure 5

### Additional Instructions for Your Safety

1. In windy areas the canopy can be anchored by using cement blocks, sand bags, or plastic water-filled jugs tied down with rope looped through the roof frame.
2. In regions where heavy snowfall may occur, snow must not be allowed to accumulate on the roof as the weight may cause the structure to collapse.

## 10'x 16' Flat Roof Canopy Frame Layout Top View

