

Cat Litter Enclosure Instruction Manual

Ready to install your new Furmia piece? Let's get going!

Check your order

First, let's make sure you have everything you need! If anything's missing or damaged, send an email with your order number and problem parts to hi@furmia.com

Getting ready for set-up

Our litter box enclosure was mindfully engineered by top human-furniture designers to look just like any other furniture piece so that it blends well with your home decor.

The litter box enclosure has an interchangeable entrance that will let you choose which side the entrance will face. Before assembling this, you need to decide where you'd like to put it and determine which side you want the entrance to face.

Introducing the new furniture to your cat

Cats love routines. They are creatures of habits who rarely enjoy changes — especially when it involves their litter box. But you can still set them up for success by keeping their habits in mind throughout the transition.

At first, consider placing this furniture piece where their litter box currently is and leave the doors open. This will help your cat understand that the litter box is inside this new furniture piece.

Once your cat is more familiar with the new location of their litter box, you can close the doors and move it to a more desired location.

We're here to help

Got questions? Email us at hi@furmia.com. Otherwise, let's get started!

Step-by-step instruction video



Scan this to watch a complete installation video.

Explore Furmia

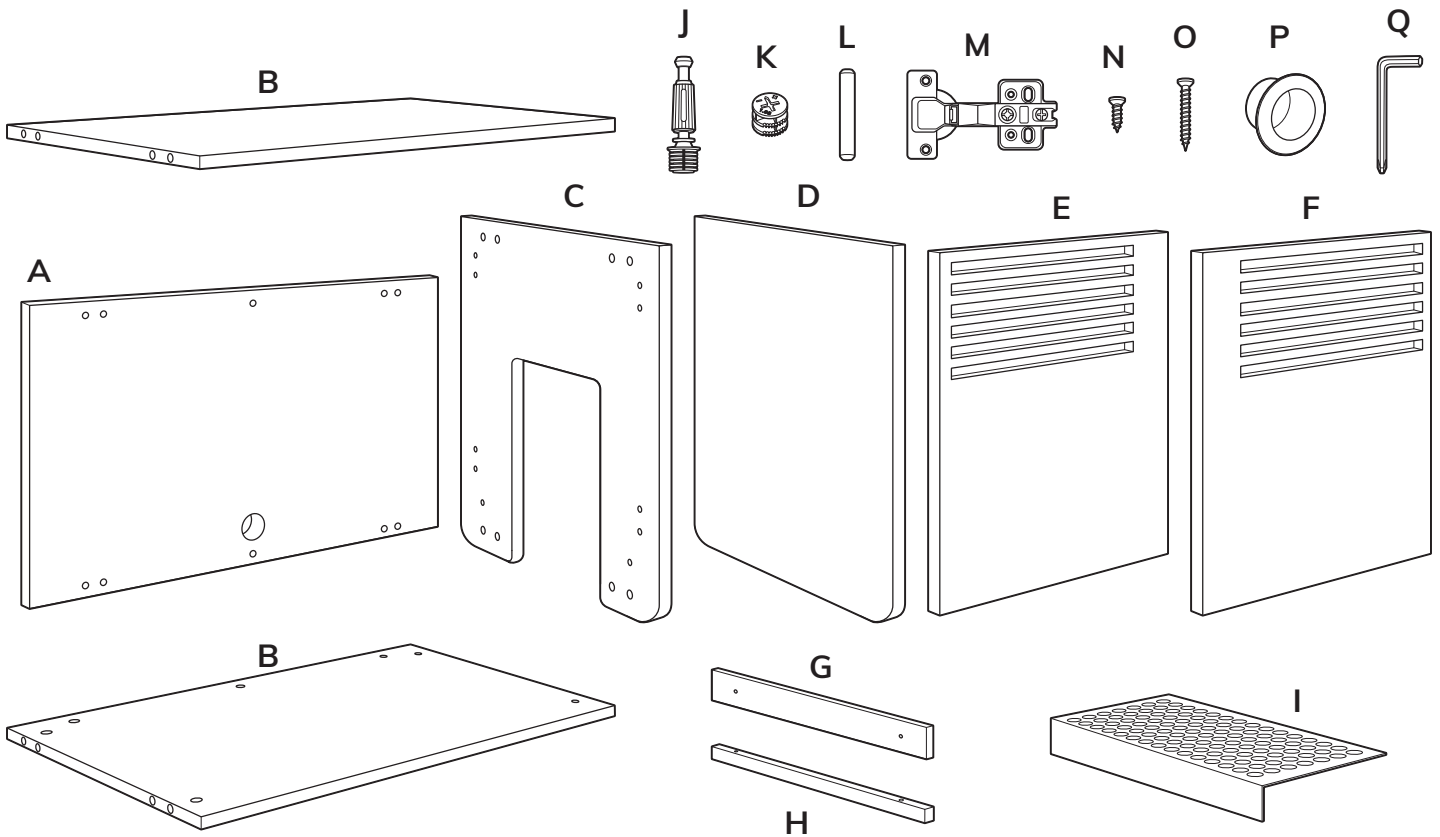


Scan this to browse other Furmia products or order replacements.

Parts list:

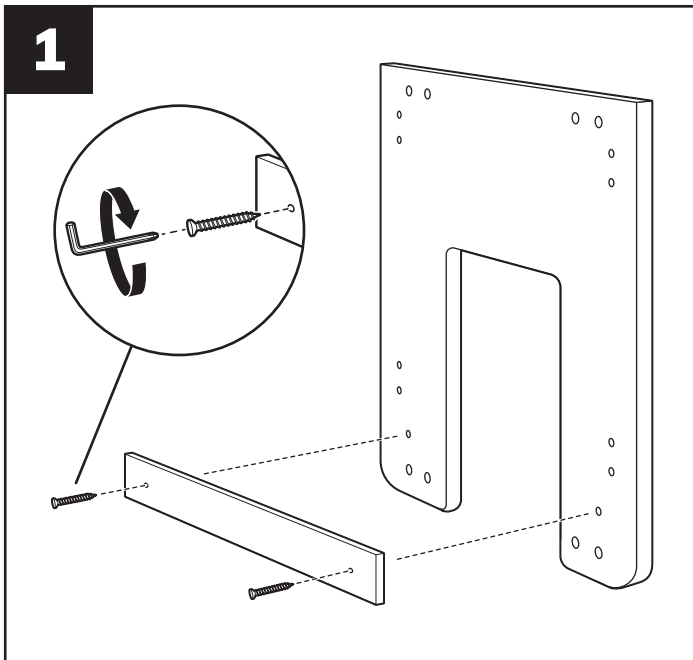
- A . 1 x Back panel
- B . 2 x Top/bottom panel
- C . 1 x Open side panel
- D . 1 x Closed side panel
- E . 1 x Right door
- F . 1 x Left door
- G . 1 x Wide support panel
- H . 1 x Narrow support panel
- I . 1 x Metal sift

- J . 14 x Cam screw
- K . 14 x Cam lock nut
- L . 12 x Wooden dowel pin
- M . 4 x Hinge
- N . 24 x Short screw
- O . 4 x Long screw
- P . Cable hole cover
- Q . 1 x Allen wrench

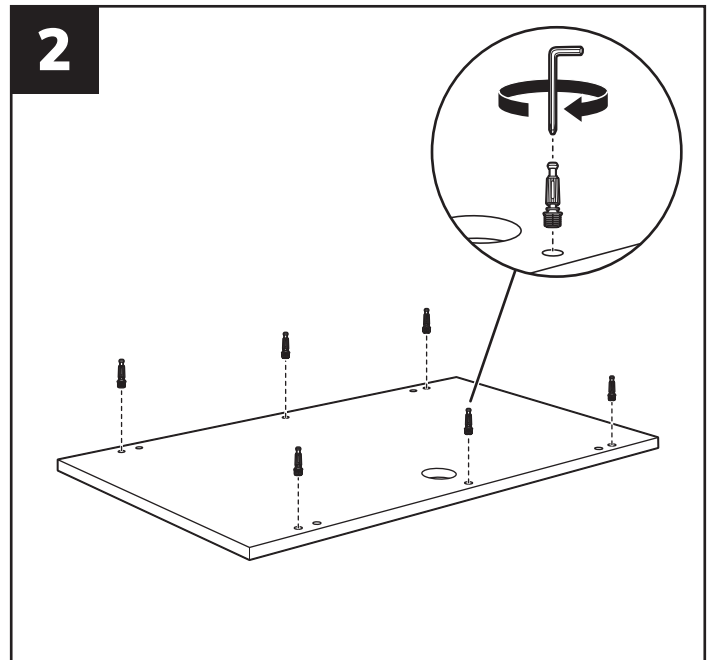


Installation:

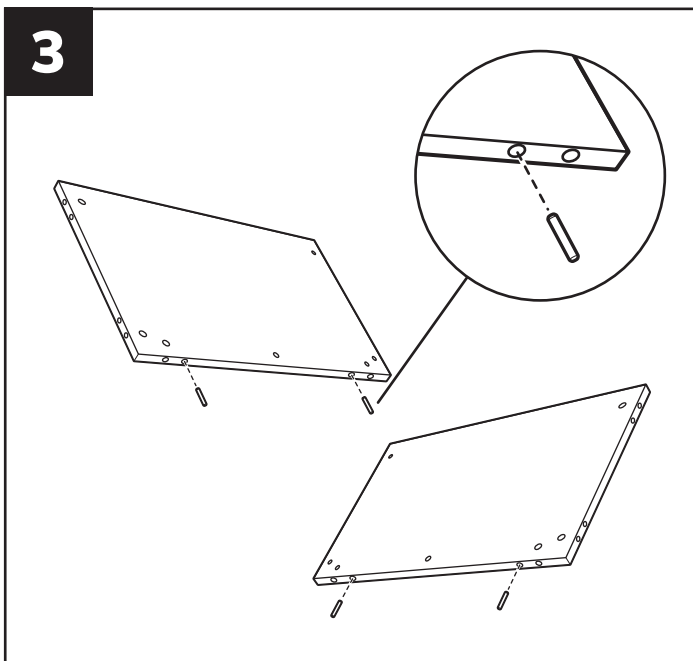
- Needs two people for assembly
- Use the Allen wrench **Q** that comes with the product (electric ones can harm this piece)
- Use the carton box as a base to put all the parts on
- **We highly recommend watching the video instructions, you can find the QR code on page 1.**



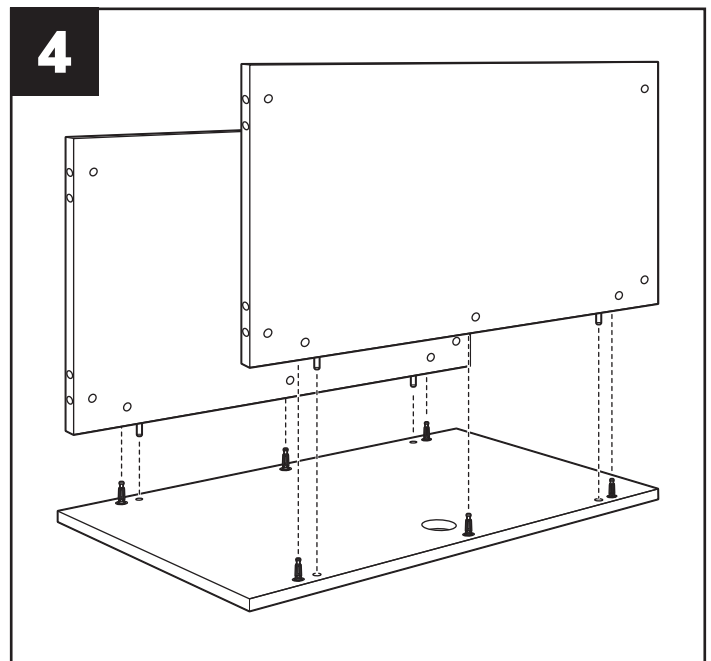
Connect wide support panel **G** to open side panel **C** using long screws **O**. Tighten with Allen wrench **Q**.



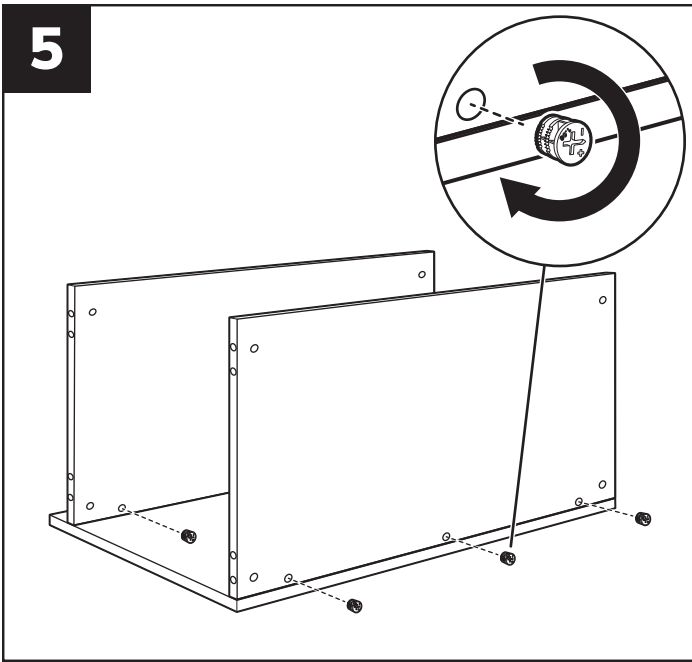
Lay back panel **A** on the carton box and screw cam screws **J** using Allen wrench **Q**.



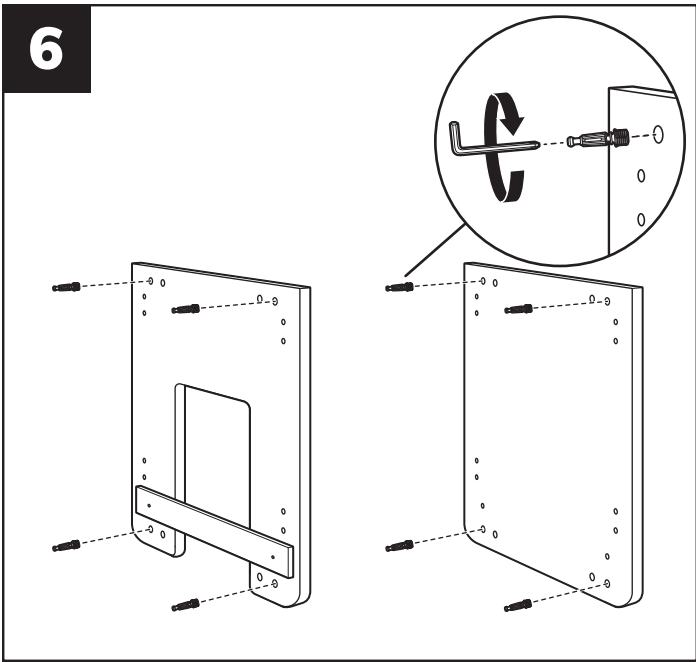
Insert wooden dowel pins **L** into the top and bottom panels **B**.



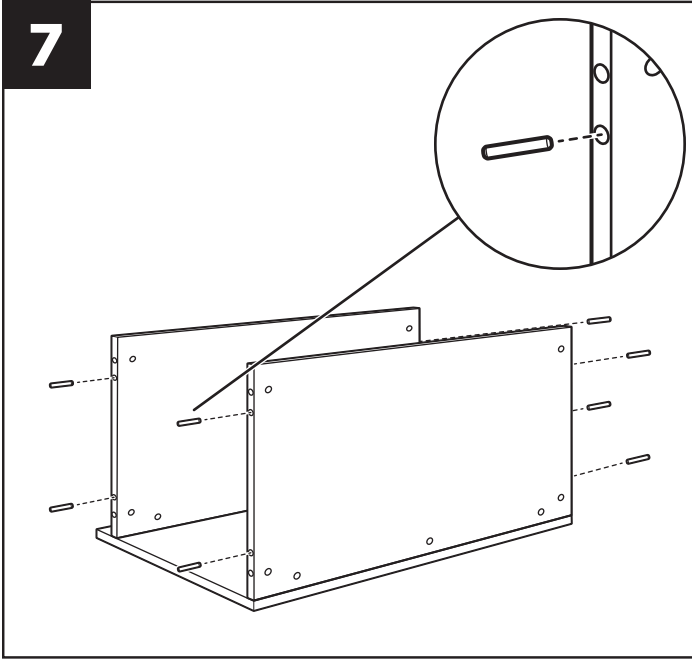
Connect top and bottom panels **B** to back panel **A**. The pilot holes on panels **B** should face you.



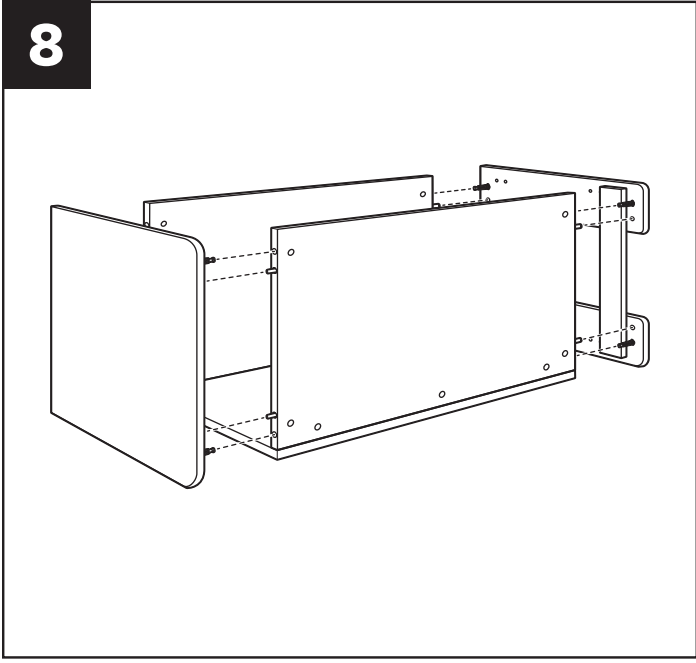
Screw cam lock nuts **K** into all the cam screws using the Allen wrench **Q**.



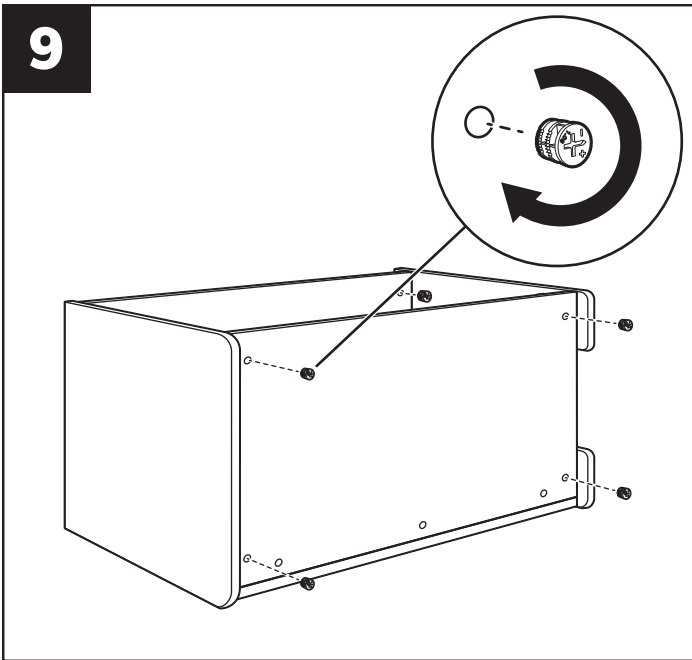
Screw cam screws **J** into open side panel **C** and closed side panel **D** using Allen wrench **Q**.



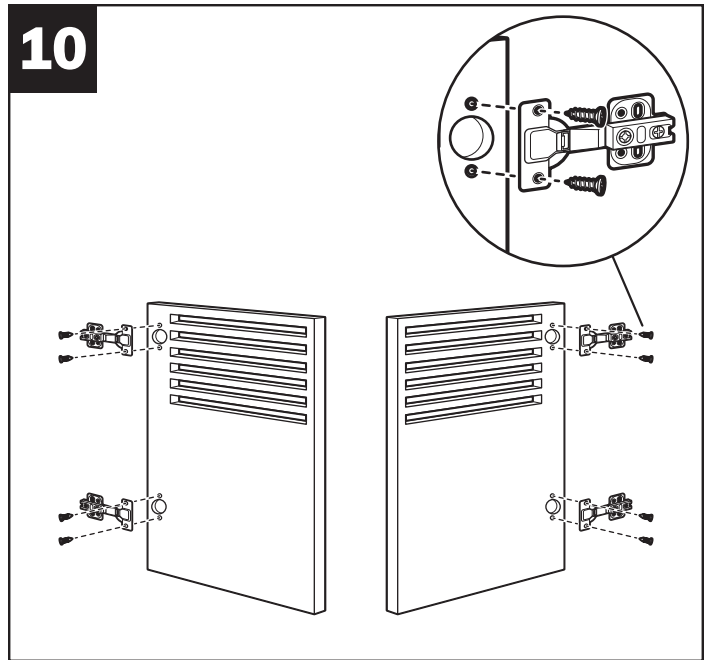
Insert wooden dowel pins **L**.



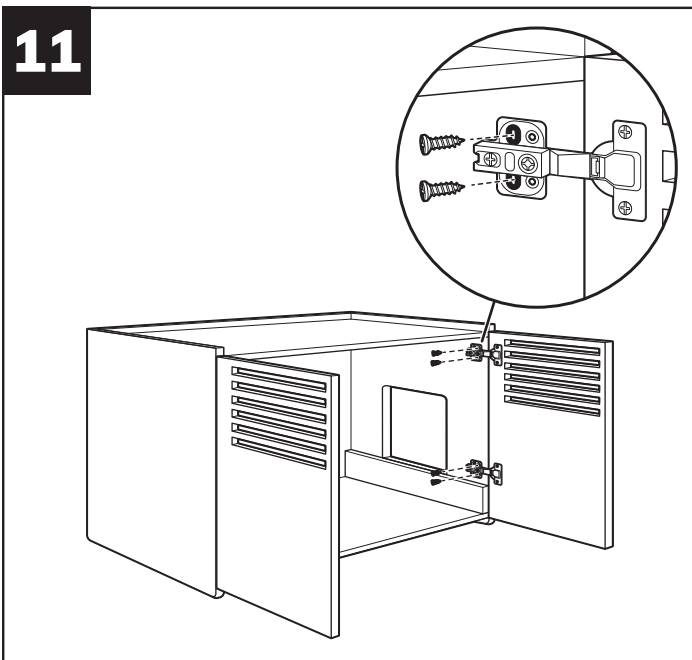
Choose where you want the entrance to face and connect side panels **C** and **D** to the enclosure (these panels are interchangeable). The rounded corners of side panels **C** and **D** should face you.



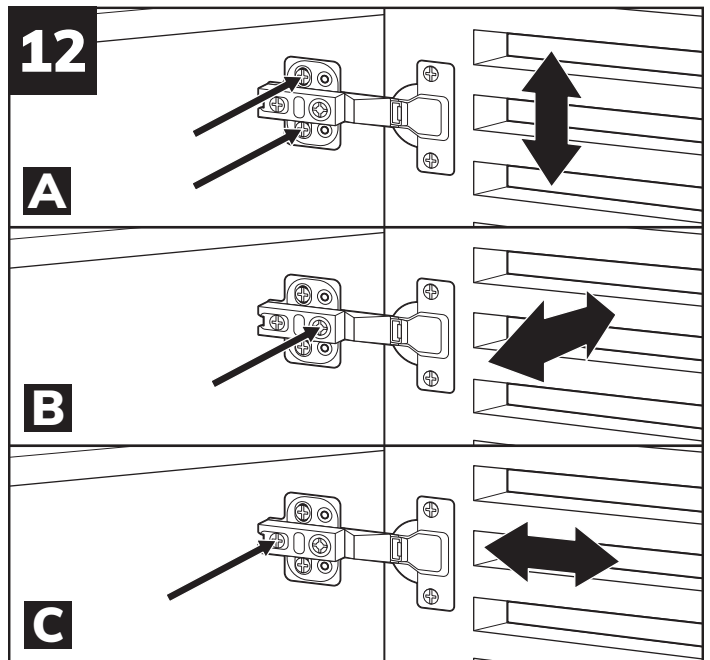
Screw cam lock nuts **K** into all the cam screws using Allen wrench **Q**.



Attach hinges **M** to the right and left doors **E** and **F** using short screws **N** and Allen wrench **Q**.

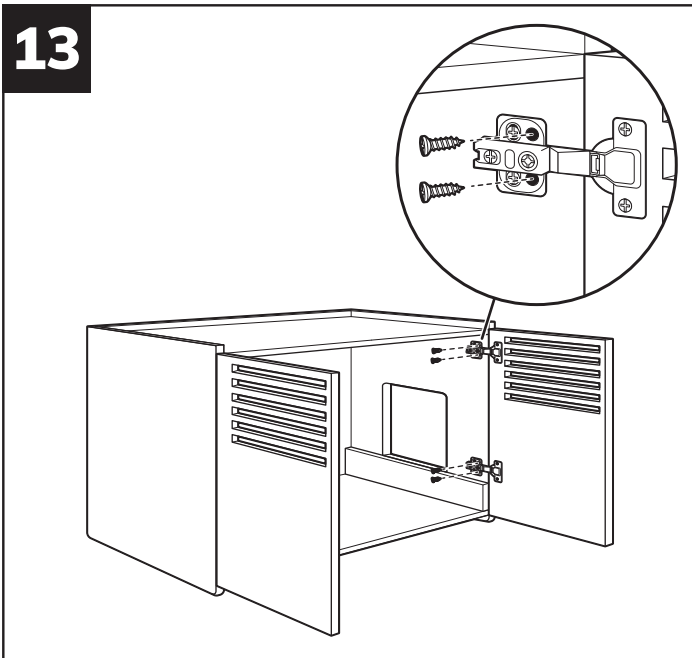


Flip the enclosure to its proper form and fix the hinges to the side panels using short screws **N** using Allen wrench **Q**. You will need the help of another person to complete this step.

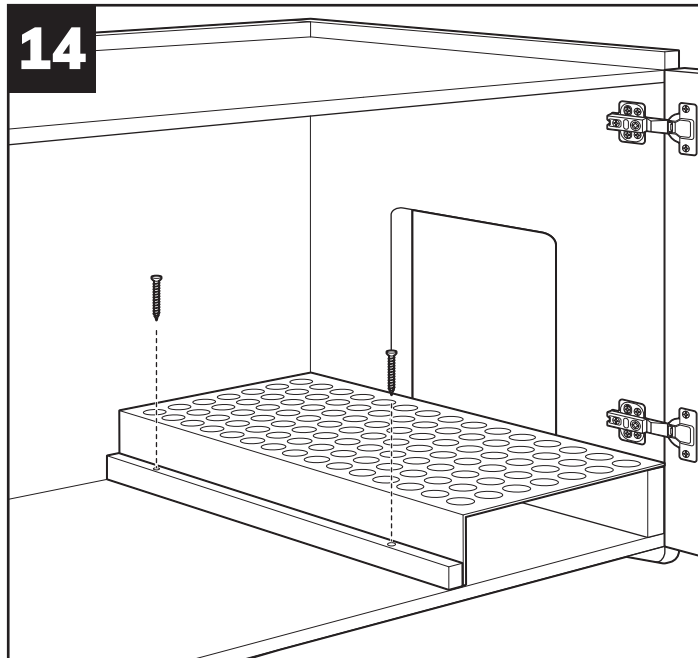


Our hinges can be adjusted in 3 planes:

- A:** Adjust vertically
- B:** Adjust laterally
- C:** Adjust the gap from the door

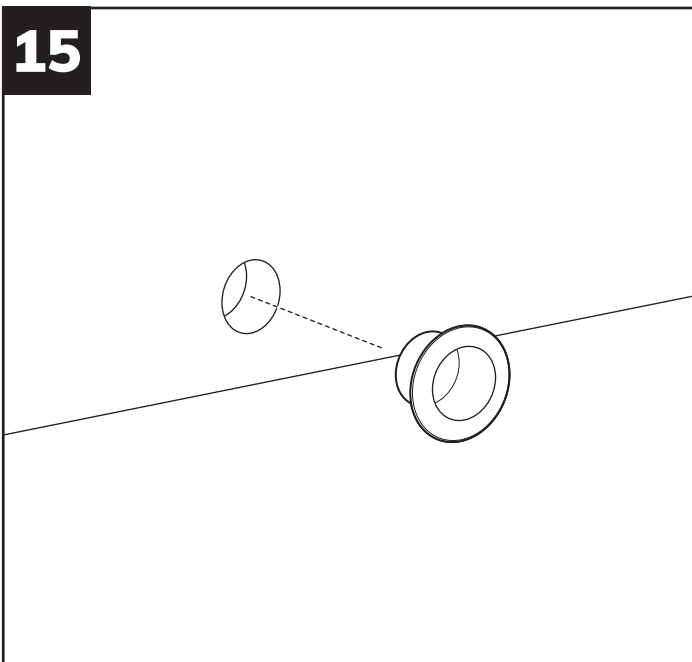
13

Once the doors are perfectly aligned, screw short screws **N** to lock the hinges in place using Allen wrench **Q**.

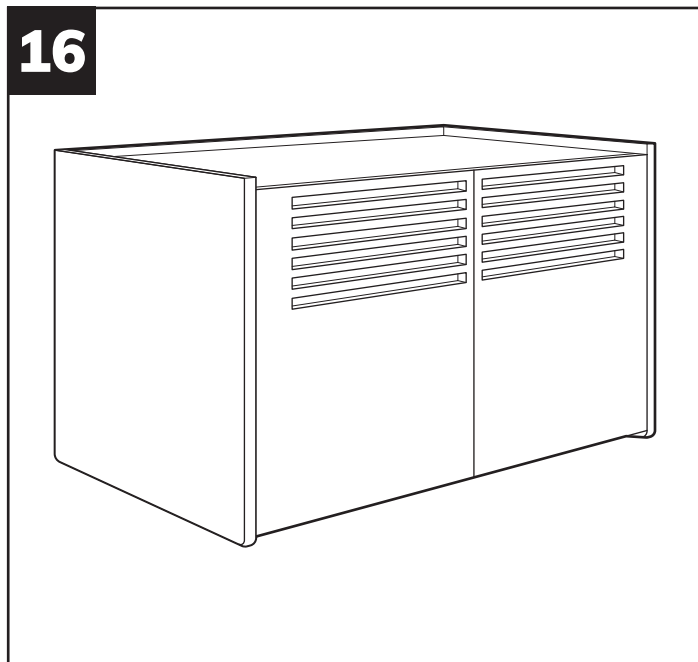
14

Place metal sift **I** in, then connect narrow support panel **H** to the bottom of the enclosure using long screws **O** and Allen wrench **Q**.

***If your litter box is over 21" long, you can skip this step and use the enclosure without the metal sift**

15

Insert cable hole cover **P** to the back panel.

16

You're done! Now it's time to introduce your cat to his new enclosure.



4801 Freidrich Lane
Building 3, Suite 324
Austin, TX, 78744
hi@furmia.com