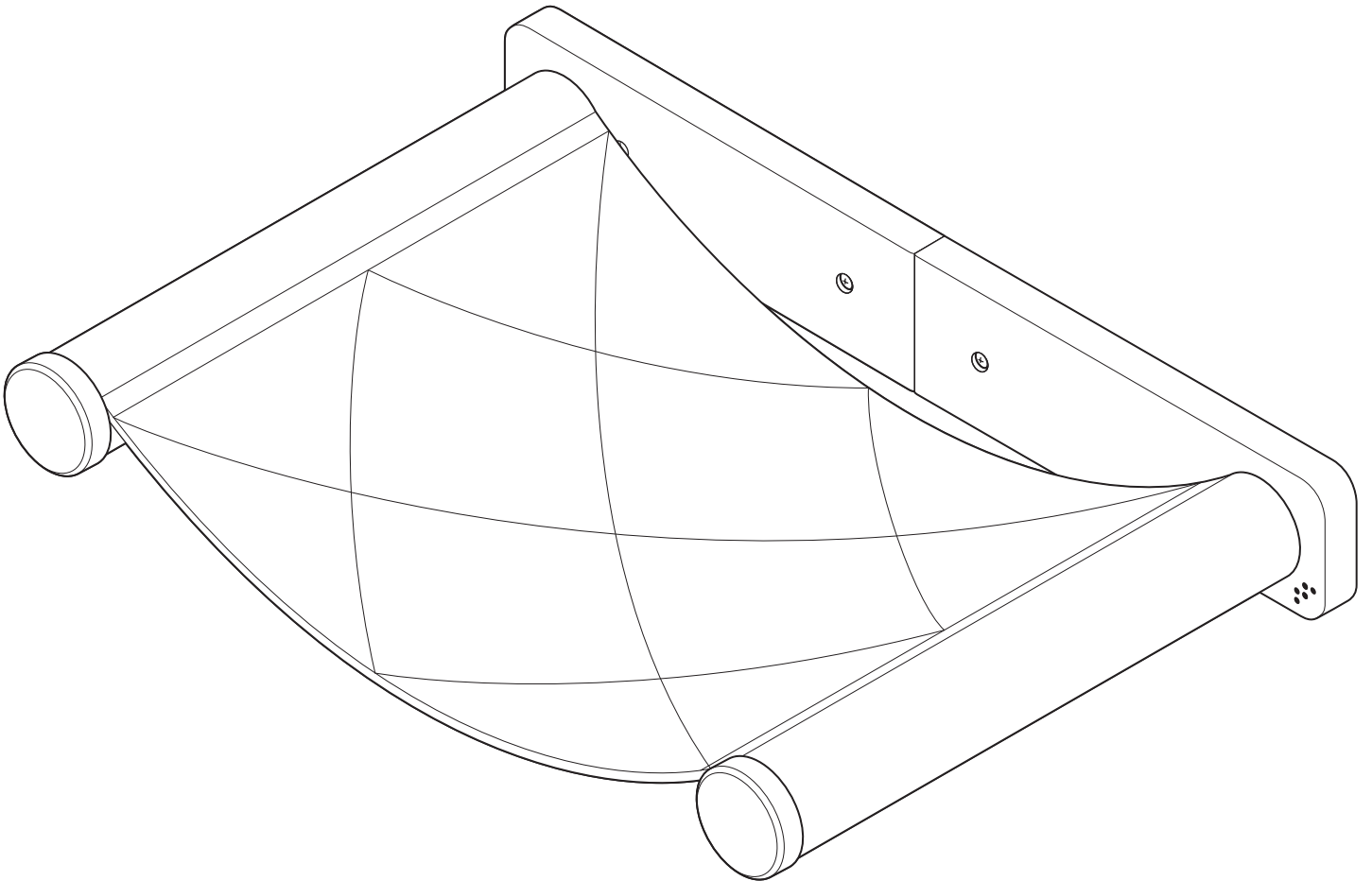


 **FURMIA**



Cat Hammock

Ready to install your new Furmia piece? Let's get going!

Check your order

First, let's make sure you have everything you need! If anything's missing or damaged, send an email with your order number and problem parts to hi@furmia.com

Getting ready for set-up

Most modern US homes use drywall and wood studs that sit 16 inches apart: that's why we've included all the hardware you need for easy installation on drywall.

Before attaching the cat furniture to your wall, you need to:

- Decide where you'd like to put it
- Find a wall stud near that location

To keep the wall furniture stable — and your cat safe — you need to attach it to at least one wall stud. To find the studs, use a stud finder. Most studs are wooden so you'll be able to drill directly into them. If the studs are metal, use a hardened drill bit for best results.

No drywall? No problem

To install a Furmia piece in brick or concrete, you'll need a masonry drill bit and suitable anchors and screws (available at most hardware stores).

***Our instructions are based on studs being 16 inches apart.**

We're here to help

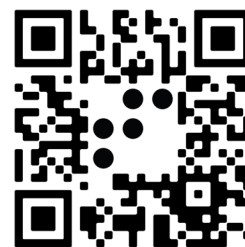
Got questions? Email us at hi@furmia.com. Otherwise, let's get started!

Step-by-step instruction video



Scan this to watch a complete installation video.

Explore Furmia

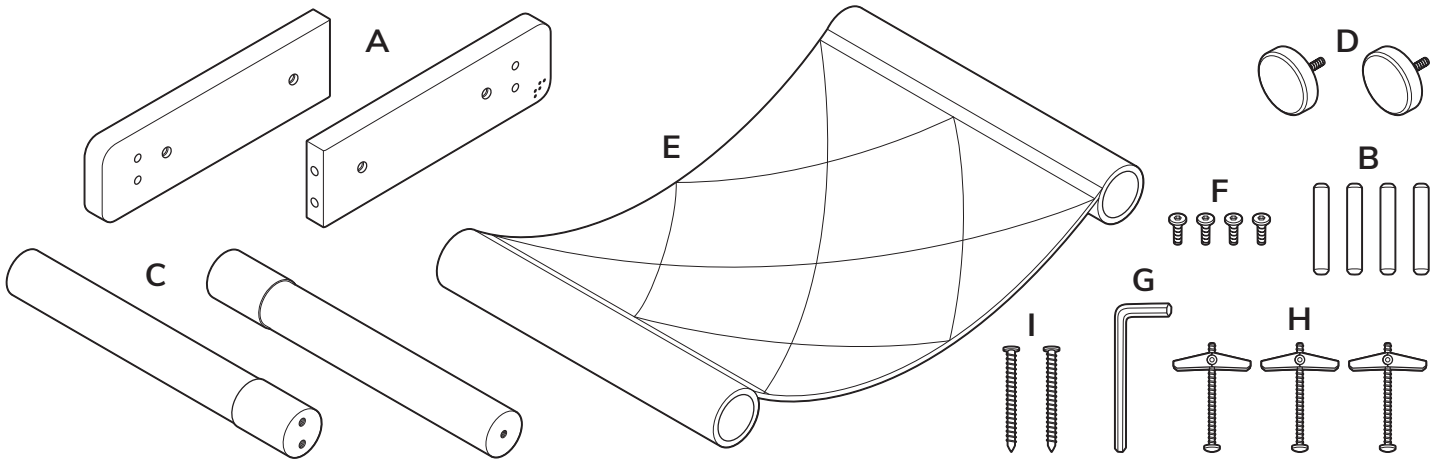


Scan this to browse other Furmia products or order replacements.

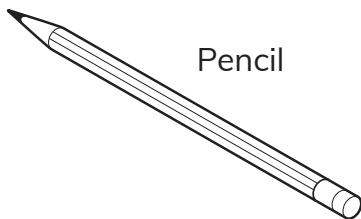
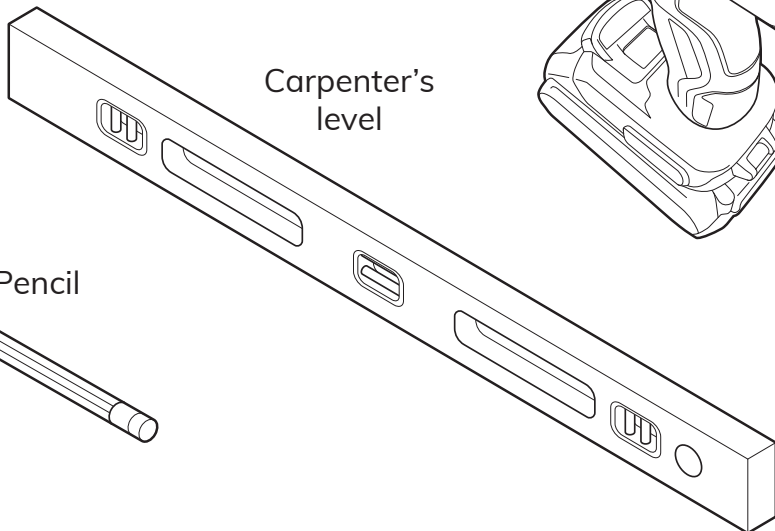
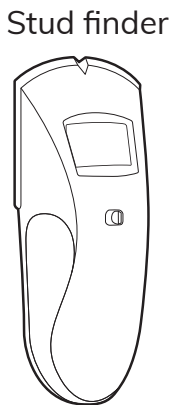
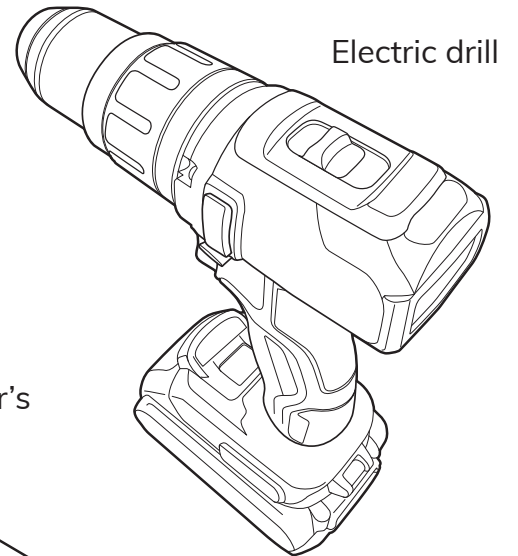
Parts list:

- A . 2 x Wall mount plates
- B . 4 x Dowel pins
- C . 2 x Wood poles
- D . 2 x End caps
- E . 1 x Hammock sling

- F . 4 x Hex bolts
- G . 1 x Hex key
- H . 3 x Toggle bolts
- I . 2 x Mounting screws

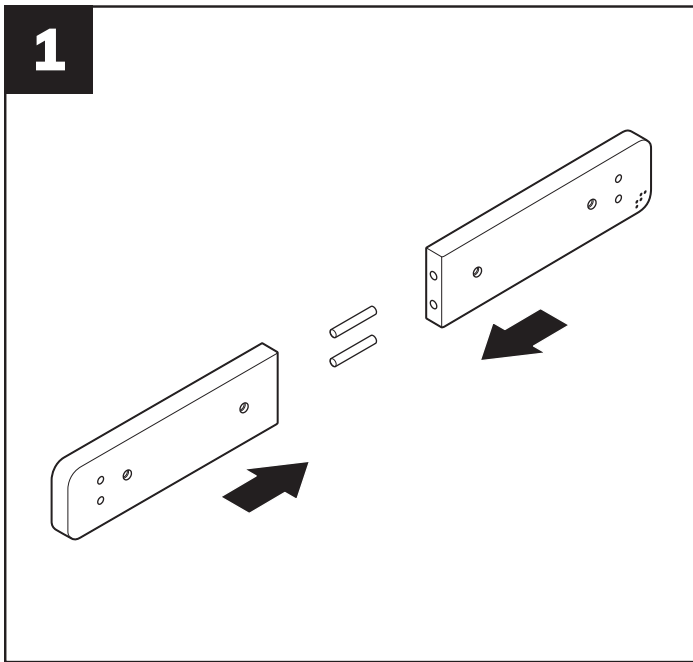


You will need:

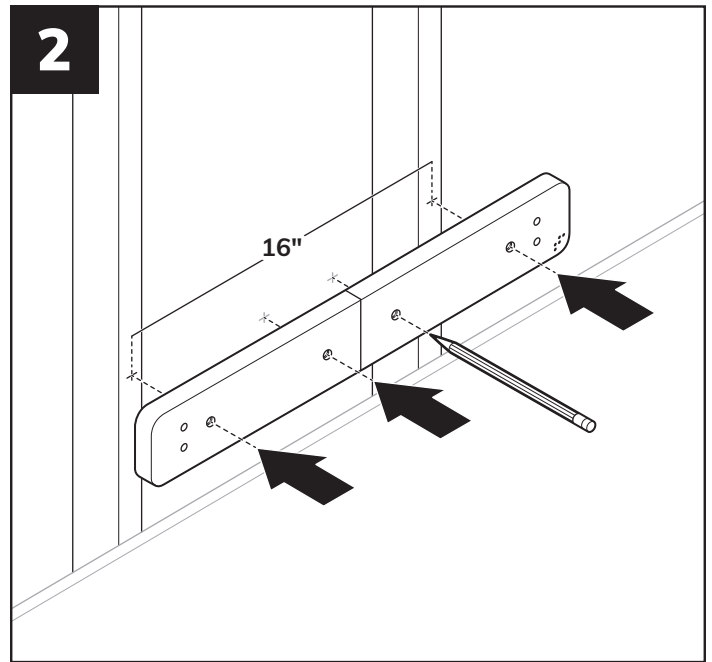


Installation:

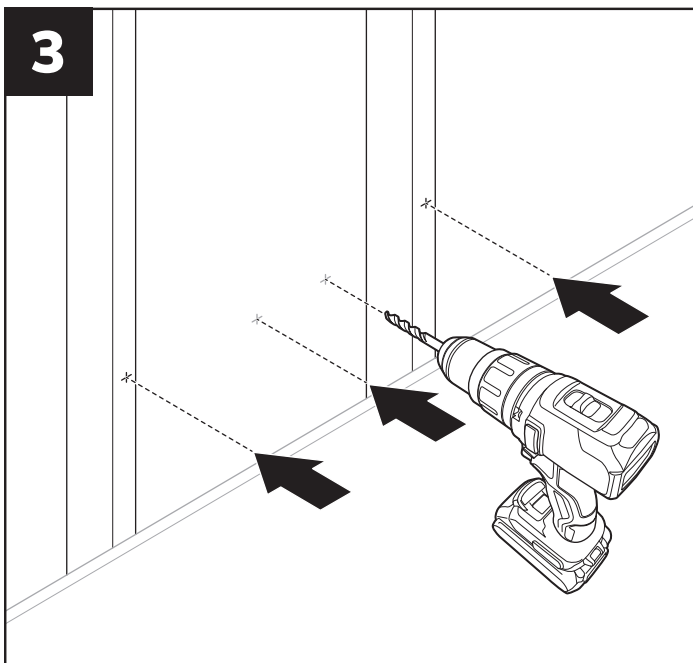
*2 people recommended



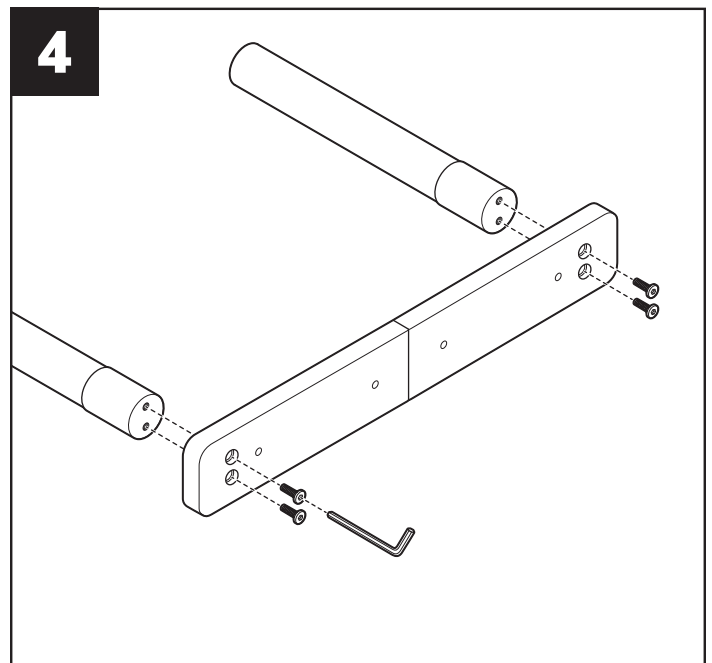
Connect wall mount plates **A** using dowel pins **B**.



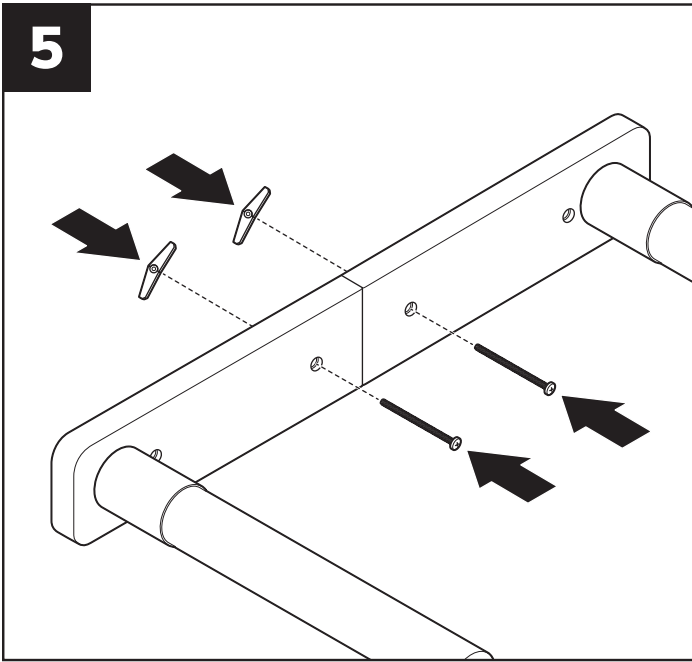
Use a pencil to mark the locations of all four holes you'll be making. Make sure that the outside holes align with the wall studs.



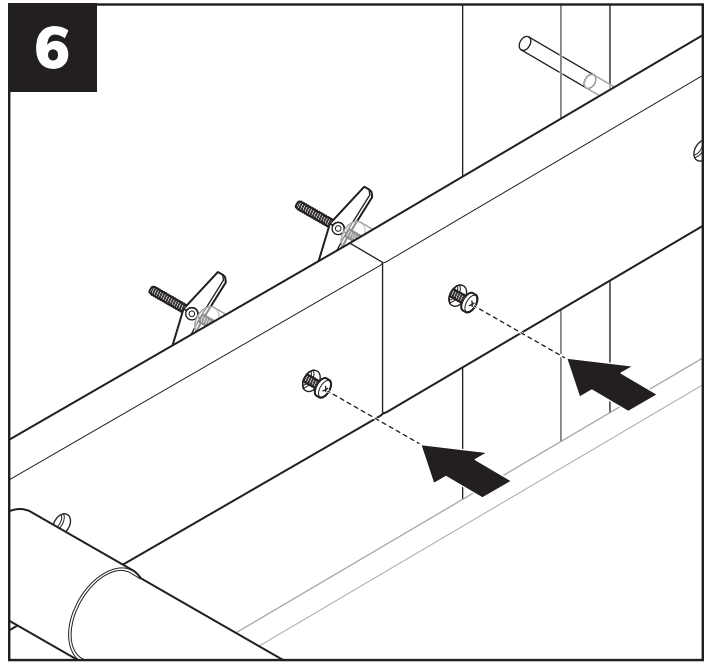
Drill two holes into the center marks through drywall using a $\frac{1}{2}$ " drill bit. Drill two additional pilot holes straight into the wall studs using a $\frac{1}{8}$ " drill bit.



Attach wood poles **C** to the wall mount plate. Insert hex bolts **F** into the side with the recessed holes. Use hex key **G** to tighten.

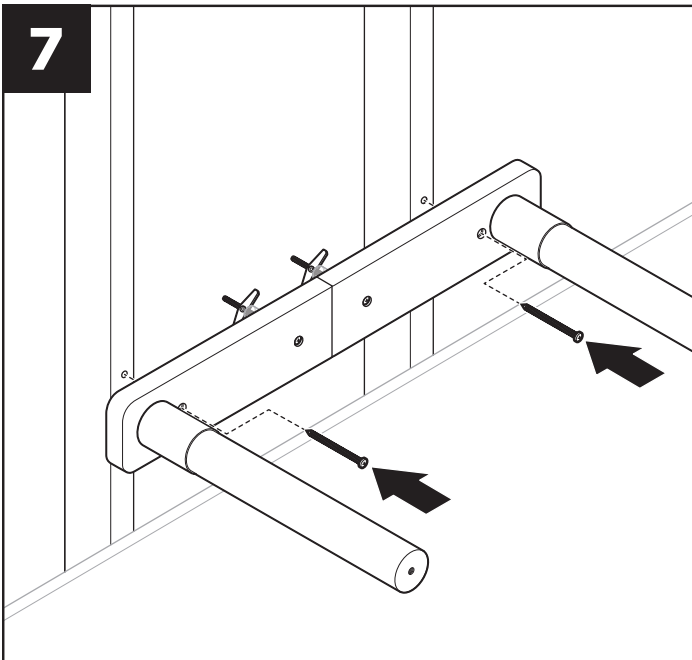


5 Separate toggles from toggle bolts **H**. Insert bolts through center holes of plate and re-attach toggles.

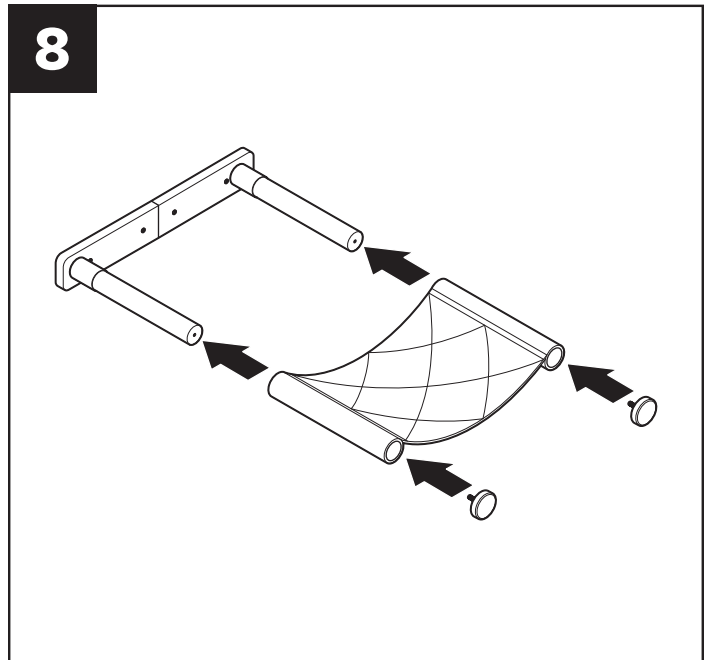


6 Insert toggle bolts into drywall. Pull the wall mount plate away from the wall as you drill to ensure the toggles will tighten.

Tip: Now is a good time to level the mounting plate and squeeze the two plates together.



7 Drive mounting screws **I** through the holes at each end of the wall mount plate straight into the pilot holes and studs.



8 Take hammock sling **E** and slide sleeves over the wood poles. Screw end caps **D** into each wood pole.



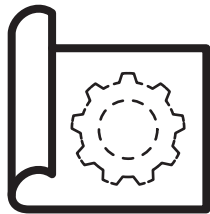
Here's something you and your cat can finally agree on:

You deserve an elegant home without claw marks on your new couch. And your cat deserves comfy furniture to lounge on without getting shooed away. That's why we started Furmia.

Furmia creates premium furniture for cats of all breeds, temperaments, and sizes. Every piece is mindfully engineered to keep claws and brains sharp (And it's been extensively tested by cats). Our clean designs complement your style and look great in every room.

One final thing: we depend on customer reviews. If you could share an honest review about your experience, it would help us a lot (And it would help other cat owners too).

The secret behind the cat furniture you're not ashamed of:



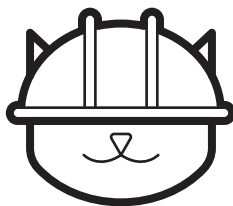
Designed by cat lovers

Dreamt up by our founder.
Brought to life by a modern
furniture designer (The kind
for humans). Manufactured by
industry experts.



Approved by cats

Our in-house “testers” had to
enjoy and use Furmia designs
more than the empty boxes we
left everywhere (If they didn't,
we scrapped it).



Built to last

We combined minimalist
designs with premium materials.
Everything that wears out is
replaceable or repair-able.



Powered by fairness

This means fair wages, fair
prices, thoughtfully sourced
materials, and a clean, modern
manufacturing process.



204 Paterson Plank Rd.
Union City, NJ 07087
hi@furmia.com