

FLEET RANGE

BY REED FURNITURE

Get fresh

Fleet is the fresh new office furniture system from Reed Furniture, designed for today's agile flexible workspace.

Shared legs and sub-frames reduce the number of components, increase knee-well space and create clean contemporary lines. Fleet is all about simplicity, efficiency and easy collaboration with team mates.

Because the system is so simple it is surprisingly economical to create a fresh new look in your office, without breaking the bank. Even better the system can be easily installed and reconfigured by the users. No need for expensive trades or complex rewiring.

With a huge range of optional quick-fit accessories you can customise your workstation to the exact configuration you need today, or quickly and simply rejig to the configuration you need tomorrow.



Fleet Range

Get fresh



www.reedfurniture.com.au

E : sales@reedfurniture.com.au

NSW
A | 4-6 Bentley Street,
Wetherill Park,
NSW 2164
P | 1800 337 778
F | (03) 9587 7161

VIC
A | 3/152-154
Bangholme Rd,
Dandenong South,
VIC 3175
P | 03 9587 8628
F | 03 9587 8691

QLD
A | 4/272 Lavarack
Avenue, Eagle
Farm QLD 4009
P | 1800 337 778
F | (03) 9587 7161

WA
A | 3 Pusey Road,
Cockburn Central,
WA 6164
P | 1800 337 778
F | (03) 9587 7161

NZ
A | 15/180 Montgomerie
Road, Airport Oaks,
Auckland 2154
P | 1800 337 778
F | (03) 9587 7161

WWW.REEDFURNITURE.COM

Better results guaranteed



FLEET EXECUTIVE DESK

(1800 x 900mm)

Optional modesty panel available in white



Optional add Ons: Fleet modesty panel, Helsinki desk and Order tambour cupboard. For more info see pages 6-11.

Product Code: FIFMDK1809

Specifications: Overall Size: 1800 X 900mm

Features:

- Stylish modern legs.
- White frame with adjustable chrome feet.
- 25 mm white tops with ABS edge.
- Optional Fleet modesty panel.



Optional add Ons: Gladius monitor arm, Standfirm keyboard tray, Order metal mobile pedestal, Desk mats and magnetic seat cushion. For more info see pages 6-11.

FLEET 4 PERSON TEAM DESK

(2800 x 1250mm)



Optional add Ons: Shown with optional tool rail. For more info see pages 6-11.

Product Code: FIFDKS2812

Specifications: Overall Size: 2800 x 1250mm

Features:

- Stylish modern legs.
- White frame with adjustable chrome feet.
- 25 mm white tops with ABS edge.
- Centre rail for optional tool rail mounting or cleanscreen mounting.
- Optional cleanscreens.



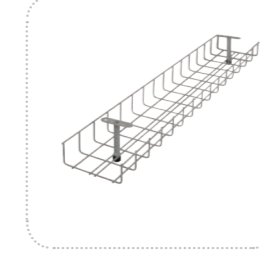
Optional Add Ons:



Tool rail



Order metal cabinets mobile caddy



Cable basket



Cleanscreen with white clamp

For more info see pages 6-11.

FLEET 2 PERSON BACK TO BACK CORNER WORKSTATION

(2780 x 1400)

Including 2 drawers and 1 file drawer on each workstation.



Product Code: FIFDKS1428
Specifications:
Overall Size: 2780 x 1400mm

Features:

- Stylish modern legs.
- White frame with chrome legs.
- 25 mm white tops with ABS edge.
- Centre rail for optional tool rail mounting.
- Optional Cleanscreens or Seachange screen (See pages 10-11).



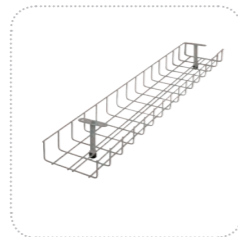
Optional Add Ons: For more info see pages 6-11.



Tool Rail



PVC desk mat



Cable basket



Cleanscreen with white clamp



Power board desk clamp

FLEET BOARD TABLES (2400 x 1200 OR 1800 x 900)



Product Codes:
2400 x 1200mm: FIFMTR2412
1800 x 900mm: FIFMDK1809

Specifications:
Overall Size: 2400 x 1200mm or
1800 x 900mm

Features:

- Stylish modern legs.
- White frame with adjustable chrome legs.
- 25 mm white tops with ABS edge.



6 person board table 2400 x 1200mm



4 person board table 1800 x 900mm

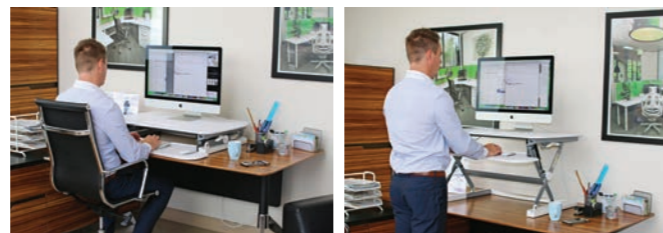
OPTIONAL ACCESSORIES

ARISE DESKALATOR

Sits on your existing desk and lets you change posture through the day. Scissor structure with gas spring provides a smooth height adjustment.

Features:

- Adjusts straight up and down. Always in easy reach.
- Gas spring offers smooth supported height transition.
- 13 available options for height adjustment.
- Wide adjustment to suit all users.
- Support groove on the surface to mount smart phone & tablet.
- Advanced design avoids any danger of clamping injury.
- Easy height adjustment via two activation paddles.
- 3 hole mounts for easy-fit single or dual monitor arms.



Measurement:

Small: 680w x 590d x from 150 to 500h
Medium: 890w x 590d x from 150 to 500h

Product Code:
 Arise Deskalator 890 x 590 White: FEHARISDKL89WH

STANDFIRM KEYBOARD PLATFORM

The new Standfirm keyboard platform could be the simplest and most effective sit/stand solution you have ever tried. Standfirm simply attaches to the underside of almost any desk and upgrades your existing desk into a true ergonomic work space.

Features:

- Height adjustment: 7 Inches Up, 5.5 Inches Down.
- Lift and release adjustment.
- Tilt set positive 10 degrees to negative 20 degrees.
- 360 degree swivel.
- Fully retractable, 23 inch track.
- Made of black powder coated steel.



Product Code: AWKBSTFBK

LAPTOP PLATE

The Sword laptop plate can be connected to the Sword series of monitor arms (only Gladius, Cutlass and Sabre arms) to provide complete adjustability and ergonomics. The plate can also be used to mount a tablet or other compact devices onto the arm.



Product Code: AEMLPTRY

POWER BOARD DESK CLAMP

4GPO, 2 USB, 2 DATA READY TO GO

The Sylex power board is a hybrid version of soft wiring compared to your standard power board. No longer do you have to be restricted to ONE softwiring supplier. Ready to plug in including data plugs, no technician required.



Product Code: FIOPBCM

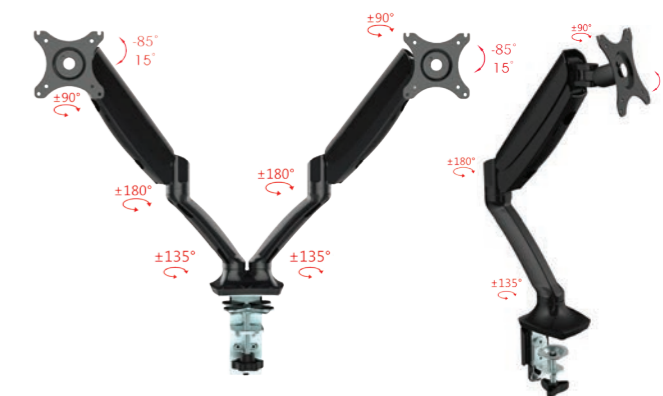
GLADIUS ARMS

SINGLE & DOUBLE

Despite the low cost, Gladius arms offer a full range of ergonomic adjustment and a large gas-lift counterbalance range of monitor weights (2 to 9 kgs) making this the obvious choice for large scale office fitouts, especially those with multiple monitor types.

Features:

- Full rotation, 360 degrees at any position.
- Supports up to 30 inch monitors.
- 85 degrees upward, 15 degrees downward.
- Cable management.
- Grommet or clamp mount.
- Both clamp and grommet mount included in the box.
- Tablet and laptop mounts also available.
- 10 year warranty.



Product Code: Single: AEMGLA1BK
 Double: AEMGLA2BK

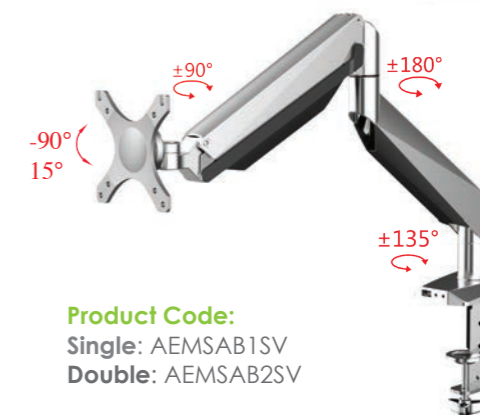
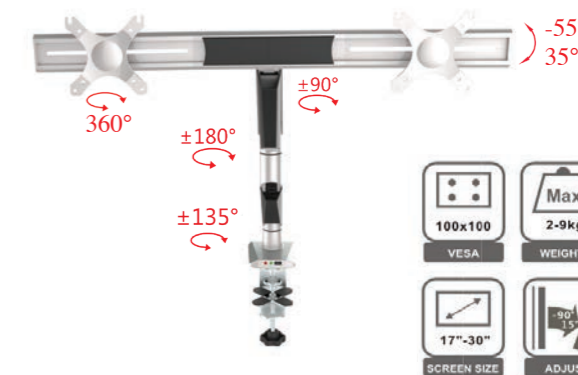
RAPIER ARMS

SINGLE & DOUBLE

With its edgy angular styling and options, Rapier arms are the choice of the modern design professional. This arm comes with a USB port, an audio and a mic port, all conveniently located right on the desk base facing the user.

Features:

- Made of aircraft aluminium.
- Simple and stylish modeling.
- 360° free switch between portrait and landscape orientation
- With A/V port and USB port.
- Supports monitors up to 30" for the single arm and up to 27" for the double arm.
- Both clamp and grommet mount included in the box.
- Tablet and laptop mounts also available.
- 10 year warranty.



Product Code:
 Single: AEMSAB1SV
 Double: AEMSAB2SV

SCABBARD CPU HOLDER

The Scabbard is the CPU holder of choice and can be easily installed on to your existing or new workstation. It attaches under your desk surface, with a simple rotation system it allows you access to rear CPU ports. No longer do you need to bend down to the unit sitting on the floor, allowing easy access for under desk cleaning. The perfect partner for your Sit-Stand workstation.



Product Code: AWCSABK



FLEET CHAIR

MID BACK

Things change at a lightning pace in today's work place. The Fleet chair is keeping up pace with the changes, with stylish foldaway arms, comfortable fabric seat and a breathable mesh back all mounted on a stylish metal chrome base. The Fleet chair is the perfect match for the Fleet furniture range

Features:

- Modern style.
- Prominent flexible lumbar support.
- Gas lift height adjustable.
- Central tilt mechanism.
- fold away arms.
- Tension adjustment.
- Generous padding on a fabric seat.
- Breathable mesh back.
- Metal scuff proof chrome base.
- Easy to assemble.
- 10 Year Warranty.



Measurement:

Seat Size: 440d x 460w

Back: 450w x 450h

Height adjustment: 450 to 520

Product Code: Lime: FSFLEMBLM Black: FSFLEMBBK

LEAN CHAIRS

HIGH BACK, MID BACK & VISITOR

Our premium ultra-slim chair blends the retro look of ball handles, a polished metal perimeter and square arms with a more modern take on the slim 5-star base and front-mounted (knee-tilt) mechanism. Locks in 5 positions from upright to tilted back. Includes tension adjustment.

Measurement:

Seat: 405x450mm Visitor: 470x500mm

Back: 470x440mm Hi Back: 610x440mm

Seat Height: Min: 480mm Max: 570mm

Visitor: 445mm

Surface Material: Synthetic Leather



Product Codes:

Hi back: FSLEAHBBK

Mid back: FSLEAMBBK

Visitor: FSLEAVBK

HELSINKI DESK

This compact unit can serve as a utility table wherever you need it or as a stand-up work surface for tablet or laptop. Simple gas lift height adjustment quickly converts from a sitting to standing position with 365mm of smooth adjustment.

Features:

- Sit/Stand adjustability.
- Quick and easy gas height adjustment.
- Twin wheel lockable castors.
- Shark nose edge.
- Sleek square lines for nesting.
- Great value for money.
- 10 Year warranty.



Measurement:

Top size

Height Range:

Height Adjustment:

Weight capacity:

Weight Total:

Product Code: FEHHSK6060W

600 x 600mm

690 to 1055

Gas Lift

40kg

17kg

ORDER MOBILE PEDESTAL

2 personal drawers and one Foolsap file drawer (suits Australian and NZ file frames), with central locking and a folding key. Recessed side handles present clean flat drawer fronts. Simple stationery tray included.

Measurement: 390w x 520d x 640h



Product Code: FCOMP2DIFLW

ORDER MOBILE CADDY

2 personal drawers and one Foolsap file drawer (suits Australian and NZ file frames), with central locking and a folding key. Recessed side handles present clean flat drawer fronts. Tambour door slides away. Meaning you do not allow space to swing a door.

Measurement: 900w x 520d x 640h



Product Codes: LHS: FCOMCL2D1FLW
RHS: FCOMCR2D1FLW

ORDER TAMBOUR CUPBOARDS

TWO SIZES

Tambour cupboards are the modern space saving office storage choice. No need to leave space for the arc of a swing door. Centralised locking with folding locks:

Measurement:

1020h x 900w x 520d 2 moveable shelves

1980h x 900w x 520d 4 moveable shelves



Product Codes:

1020 x 900: FCOTC0910W

1980 x 900: FCOTC0919W

ORDER PLANTER BOX

Bring the outdoors inside with some greenery to brighten the office environment. In Germany it is legislated that people need to be able to see plants in their workplace, while it is not the law here it's still a great idea. Humans need to feel connected to the natural world. Improve the outlook and mood in any indoor workplace.

Measurement: 900w x 520d x 220h



Product Code: FCOPB09W

FILE HANGING RAIL & FILE DRAWER BOX FOR TAMBOUR CUPBOARDS

These optional accessories bring order, efficiency and security to your hanging files. They put your important files under lock and key while providing central access to files in team working environments. Set for Australian and New Zealand standard Foolsap files.



Product Codes:

FILE HANGER: FCOTCAFH

900W DRAWER: FCOTCADR

SEACHANGE SCREENS

GREY & CHARCOAL

Our oceans are filled with plastic, most of it from single use packaging. Some of it you cannot see, it has degraded into microbeads, but it's still there, entering the marine food chain and causing havoc. It is estimated that in the Pacific, between California and Hawaii, there is a swirling ball of plastic and plastic microbeads roughly twice the size of Texas. It has been dubbed the Great Pacific Garbage Patch. Most of it is the wonder plastic of this century, PET.

PET is a marvel; durable, inert, recyclable and capable of being reused into a wide array of functional products, but if it is in the oceans it is in the wrong place. Put it back in the right place...in your office environment. Our 100% PET screens are made of fully recycled PET which has been remelted, turned into a spun microfilament and then pressed and moulded into elegant functional floor mounted screens. Seachange screens come in modules which can be joined together in straights and curves with plantation grown timber joiners. They provide non-structural acoustic and visual barriers and can be quickly moved to allow a quick change of office space, suited to today's dynamic work environment.



Screen codes & dimension are:

FDPET4511GY
450 X 1160H SEACHANGE SCREEN STRAIGHT CHARCOAL/LIGHTGREY
FDPET5011GY
500 X 1160H SEACHANGE SCREEN STRAIGHT CHARCOAL LIGHT GREY
FDPET2011GY 206 X 206 X 1160H SEACHANGE SCREEN CURVED
CHARCOAL OUTSIDE / LIGHT GREY INSIDE
FDPET2011CH 206 X 206 X 1160H SEACHANGE SCREEN CURVED
LIGHT GREY OUTSIDE / CHARCOAL INSIDE

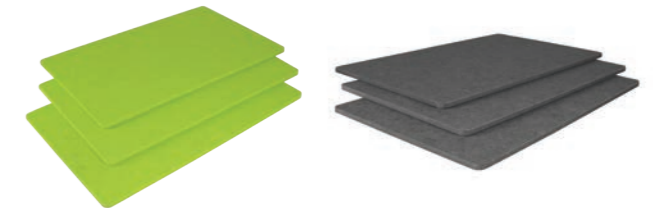
FDPETHCNT SEACHANGE H-SHAPE CONNECTOR
FDPETUCNT SEACHANGE U-SHAPE CONNECTOR
FDPET9614CH 960 X 1400H SEACHANGE SCREEN LIGHT GREY
OUTSIDE/ CURVED CHARCOAL INSIDE
FDPET9614GY 960 X 1400H SEACHANGE SCREEN CURVED
CHARCOAL OUTSIDE / LIGHT GREY INSIDE
FDPET5614CH 560 X 1400H SEACHANGE SCREEN STRAIGHT
CHARCOAL / LIGHT GREY



CLEANSCREENS

LIME & GREY

Drink bottles, billions of drink bottles, choking up landfill and polluting the oceans with microplastic shards. Well here is a sweet and simple application that helps you and helps the environment. We take PET drink bottles melt them down, spin them into microfilaments and then compress those filaments under pressure and heat to make rigid desktop office screens. They are frameless, rigid, pinnable and have excellent acoustic properties. They provide a non-structural visual and acoustic barrier. A range of colours available: (Lime and Grey ex stock). 100% recycled and 100% recyclable.



Screen codes & dimension are:

FDPET0503LM 550w X 350h x 9mm Cleanscreen Lime
FDPET0503CH 550w X 350h x 9mm Cleanscreen Charcoal
FDPET0703LM 700w X 350h x 9mm Cleanscreen Lime
FDPET0703CH 700w X 350h x 9mm Cleanscreen Charcoal
FDPET1103LM 1100w X 350h x 9mm Cleanscreen Lime
FDPET1103CH 1100w X 350h x 9mm Cleanscreen Charcoal
FDPET1403LM 1400w X 350h x 9mm Cleanscreen Lime
FDPET1403CH 1400w X 350h x 9mm Cleanscreen Charcoal
FDPET1703LM 1700w X 350h x 9mm Cleanscreen Lime
FDPET1703CH 1700w X 350h x 9mm Cleanscreen Charcoal

CLAMPS FOR CLEANSCREENS

To mount our Cleanscreens we offer compact desk-mounted clamps. Easy to fit and easy to adjust to securely hold your Cleanscreen in place but allow for quick and easy moving if you need to change your workspace layout. Available in white.



Product Code: FDPETCLAWH

GOLF SCREEN CLAMP

Fore! Sure it looks like a tiny golf club, but it's unlikely to improve your game. However it is highly likely to improve your working space. The clamp mounts to the front edge of your desk to mount a screen to provide a noise barrier between you and your workmates in a shared desking set-up. It helps define your space and provides a pinnable vertical surface. Removeable/ relocatable.



Product Code: AWMGCLAWH

OPTIONAL TOOL RAIL FOR FLEET DESKS

If space is tight don't extend, go up. Get things off your desktop and onto the Fleet Tool Rail. Each tool rail comes with a fixed line and / or mobile phone tray, paper trays and utility cup. Double sided for use on one or both desktops on a 2 or 4 person Fleet desk configuration.



Measurement:

1399w x 435d x 220h

Product Code: FIFTB1400W

EXECUTIVE DESK OPTIONAL MODESTY PANEL

Stylish steel panel completes the managerial look of the Fleet Executive desk. Securely mounts quickly and simply. Can be ordered with the desks or as an upgrade later.



Measurement:

1200w x 400d

Product Code:

FIFMP1240W

PVC DESK MAT

LIME & BLACK

The PVC desk mat is the perfect accessory for any desk surface. Not only protecting the desk surface, it provides the perfect writing or keying surface, warm and soft to the touch.



Measurement:

700w x 450d

Product Code:

Lime: AWDMATLM

Black: AWDMATBK

ORDER SEAT PAD

LIME & BLACK

A colleague wants a quick chat...pull up a drawer mobile. The Order seat pad mounts atop either the Order Caddy or Order Drawer Mobile. Magnetic and non-slip. Available in lime or black.

Measurement:

390w x 520d

Product Code:

Lime: FCOMPCLM

Black: FCOMPCBK



CHAIR MAT

Guaranteed against cracking & crazing. Suitable for carpeted floors. Protects carpets & chairs. Colour: Translucent Available in two sizes: w900 x d1200 & w1140 x d1350.

Colour options

Stock Colours



Product Code:

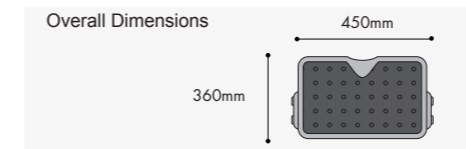
900X1200: FSCM0912

1140 X 1350: FSCM1113

FOOTREST HEIGHT / TILT

High Grade moulded plastic. Height & tilt adjustable. Platinum colour premium rubber surface with removable rubber surface.

Measurement: w450mm x d360mm.

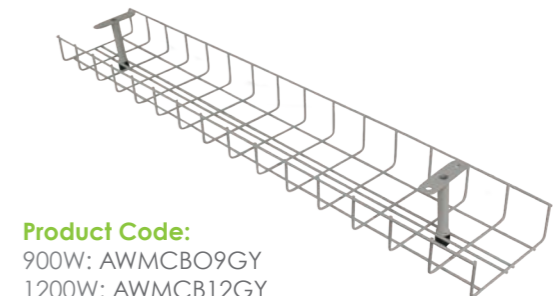


Product Code: AEFOOHTPL

CABLE BASKET

900MM & 1200MM

Constructed from a heavy duty powdercoated wire, the cable basket simply attaches under the desk top. Drops down to allow easy lay-in cabling. Prevents trips, catches, unplugging and an unsightly tangle of wires.



Product Code:

900W: AWMCB09GY

1200W: AWMCB12GY

CABLE ORGANIZER

PE MATERIAL, 1500MM

The cable zipper is the best way to keep those annoying cables tidy. Easy to use applicator, insert your cable and zip them up to a nice tight bundle.



Product Code: AEOMCBZ1500S

SLINKY CABLE SPINE

Tame the cable jungle. The Cable spine keeps all the cables coming from the floor up to the desk surface under control.

Prevents tripping over messy cables and brings a neat and organised look to your workstation. Easy to use, simply feed cables through. Spring like expansion from 150mm to 1300mm.



Product Code: AEOMCBSLINKY

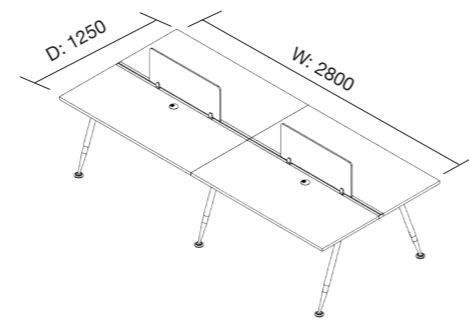
DIMENSION DRAWINGS

FLEET RANGE



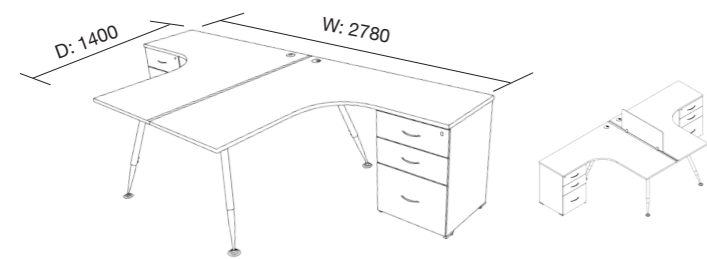
FLEET EXECUTIVE DESK

Width: 1800mm Depth: 900mm Code: FIFMDK1809



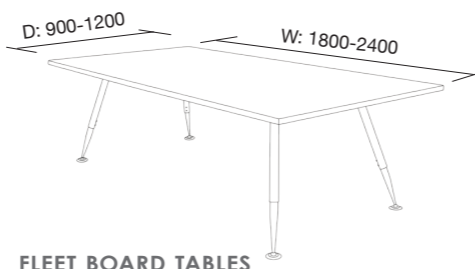
FLEET 4 PERSON TEAM DESK

Width: 2800mm Depth: 1250mm Code: FIFDKS2812



FLEET 2 PERSON BACK TO BACK CORNER WORKSTATION

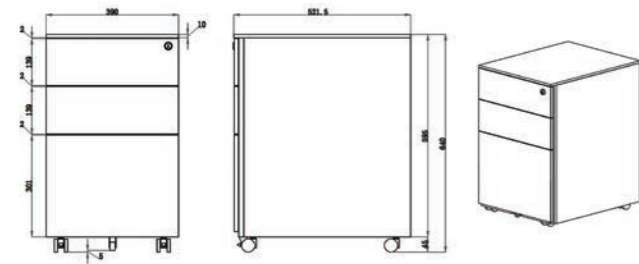
Width: 2780mm Depth: 1400mm Code: FIFDKS1428



FLEET BOARD TABLES

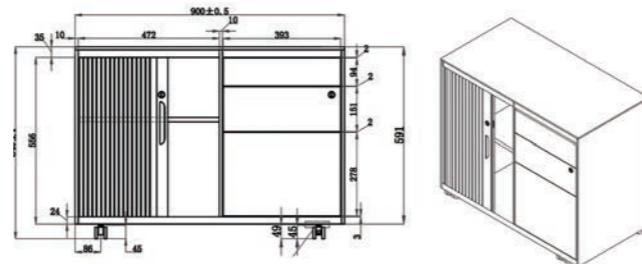
Width: 1800-2400mm Depth: 900-1200mm Code: FIFDKS2812

OPTIONAL ACCESSORIES



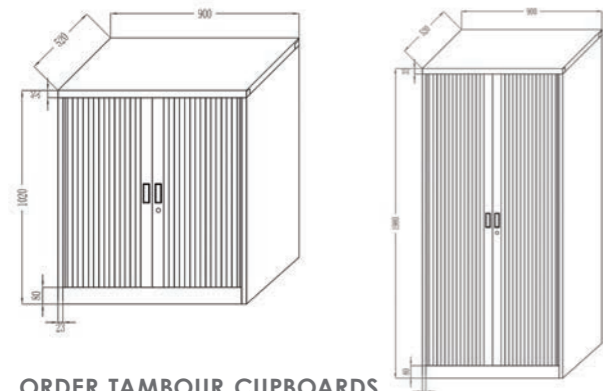
ORDER MOBILE PEDESTAL

Measurement: 390w x 520d x 640h Code: FCOMP2D1FLW



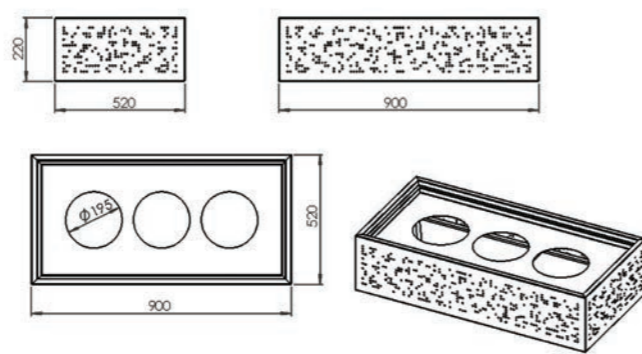
ORDER MOBILE CADDY

Measurement: 900w x 520d x 640h Code: LHS: FCOMCL2D1FLW RHS: FCOMCR2D1FLW



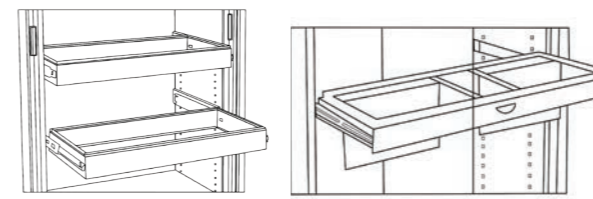
ORDER TAMBOUR CUPBOARDS

Measurements: 1020h x 900w x 520d and 1980h x 900w x 520d Codes: 1020 x 900: FCOTC0910W 1980 x 900: FCOTC0919W



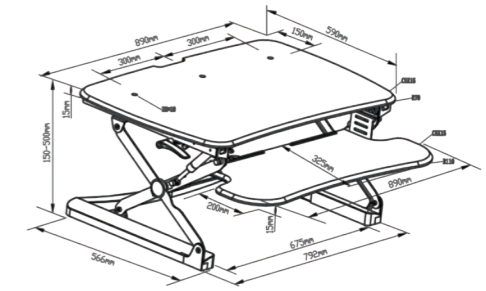
ORDER PLANTER BOX

Measurement: 900w x 520d x 220h Code: FCOPB09W



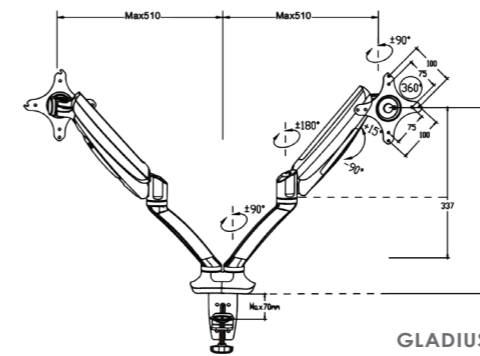
FILE HANGING RAIL & FILE DRAWER BOX FOR TAMBOUR CUPBOARDS

Measurement: 900w x 520d Codes: FILE HANGER: FCOTCAFH 900W DRAWER: FCOTCADR

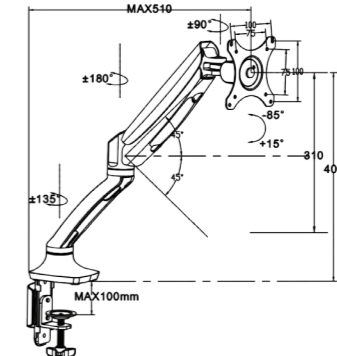


ARISE DESKALATOR

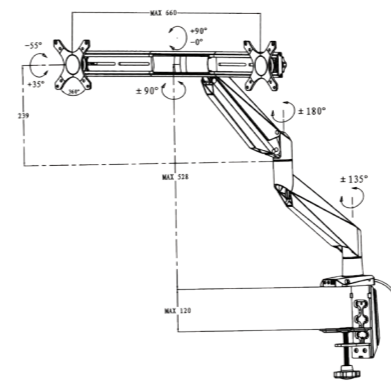
MeasurementS: Small: 680w x 590d x from 150 to 500h Medium: 890w x 590d x from 150 to 500h Codes: 890 x 590 White: FEHARISDKL89WH



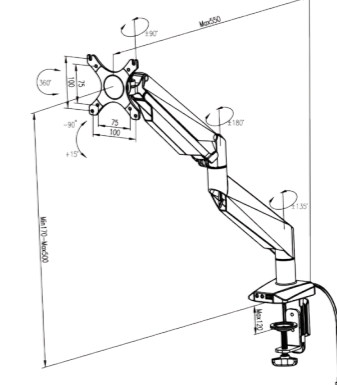
GLADIUS DOUBLE ARM Code: AEMGLA2BK



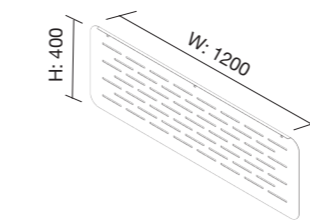
GLADIUS SINGLE ARM Code: AEMGLA1BK



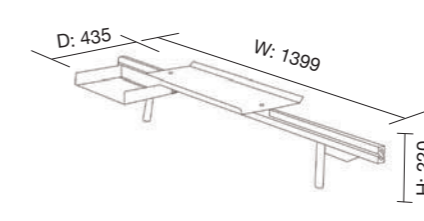
RAPIERE DOUBLE ARM Code: AEMRAP2SV



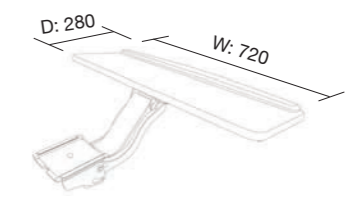
RAPIERE SINGLE ARM Code: AEMRAP1SV



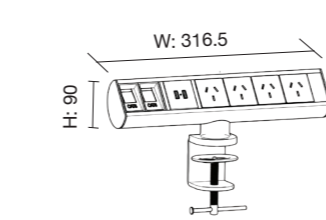
OPTIONAL MODESTY PANEL Code: FIFMP1240W



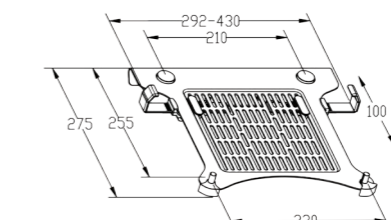
OPTIONAL TOOL RAIL Code: FIFTB1400W



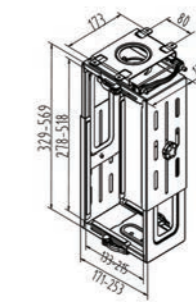
STANDFIRM KEYBOARD PLATFORM Code: AWKBSTFBK



POWER BOARD DESK CLAMP Code: FIOPBCM



LAPTOP PLATE Code: AEMLPTRY



SCABBARD CPU HOLDER Code: AWCS CABK