

www.reedfurniture.com.au
Better results guaranteed



Arise Basix Frames
BY REED FURNITURE

Arise Basix Frames

BY REED FURNITURE

There are so many electric desk frames out there now it is hard for consumers to know what represents good value. At Reed Furniture everything we sell is covered by a ten year warranty and therefore we need to ensure that we supply the best and most robust units on the market. That's why we do not sell cheaper, single-motor electric desks.

If you have a single motor driving two legs that means there is a transfer bar (or in some very agricultural cases, a bike chain) and gears to drive the other non-motorised leg.

Most typical failures in such desks are in the gearbox, especially if there is an uneven load on the desktop (and nearly all desktops are unevenly loaded). One side goes up easily, the other strains to rise up, and all the tension goes onto the gearbox leading to a likely failure.

Basix frames on the other hand employ two linear actuators directed by an electronic controller which reads the loads on each leg of the desk and directs power to where it is needed. This ensures that the desktop rises and falls evenly and smoothly, no matter what the load distribution.

A sophisticated electronic controller directs all desk movements. It has multiple memory functions, surge immunity and ESD discharge protection. A rapid lift speed of 38mm/sec and a low noise (< 50dBA) make Arise Basix frames the professional choice in any modern office.

Basix frames come in a variety of shapes and configurations:

- Simple rectangular desks (or contoured tops mounted to a rectangular frame) in 2 stage or 3 stage options
- L-shaped desks (with one foot extended)
- Back to back desks with optional screening mounted between
- Full 3 ended corner workstations
- 120 Degree workstation



WWW.REEDFURNITURE.COM.AU

E : sales@reedfurniture.com.au

Basix frames carry US and European certifications and are ERP Directive compliant.

Available Australia wide

Contact your local office Ergonomics consultant today



NSW

A | 4-6 Bentley Street, Wetherill Park, NSW 2164

P | 1800 337 778
F | (03) 9587 7161

VIC

A | 3/152-154 Bangholme Rd, Dandenong South,

VIC 3175
P | 1800 337 778
F | (03) 9587 7161

QLD

A | 4/272 Lavarack Avenue, Eagle Farm QLD 4009

P | 1800 337 778
F | (03) 9587 7161

WA

A | 3 Pusey Road, Cockburn Central, WA 6164

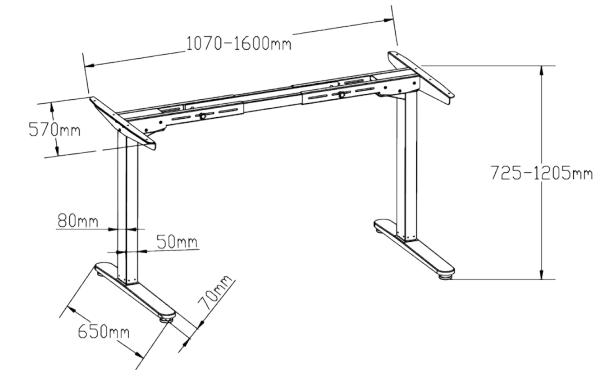
P | 1800 337 778
F | (03) 9587 7161

NZ

A | 15/180 Montgomerie Road, Airport Oaks, Auckland 2154

P | 1800 337 778
F | (03) 9587 7161

2 STAGE RECTANGLE DESK FRAME



Features:

- Dual linear actuators.
- Impeccable protection software, including automatic fault detection.
- Sedentary alert.
- Constant speed control.
- Reliable control system, 100% aging test qualified.
- With 3 pre-set heights memory control box.

Specifications:

Table size: 1200x600mm, 1400x700mm, 1600x800mm and 1800x800mm.

Motor: Dual motors

Loading: 125kg

Stroke: 480mm(725~1205mm)

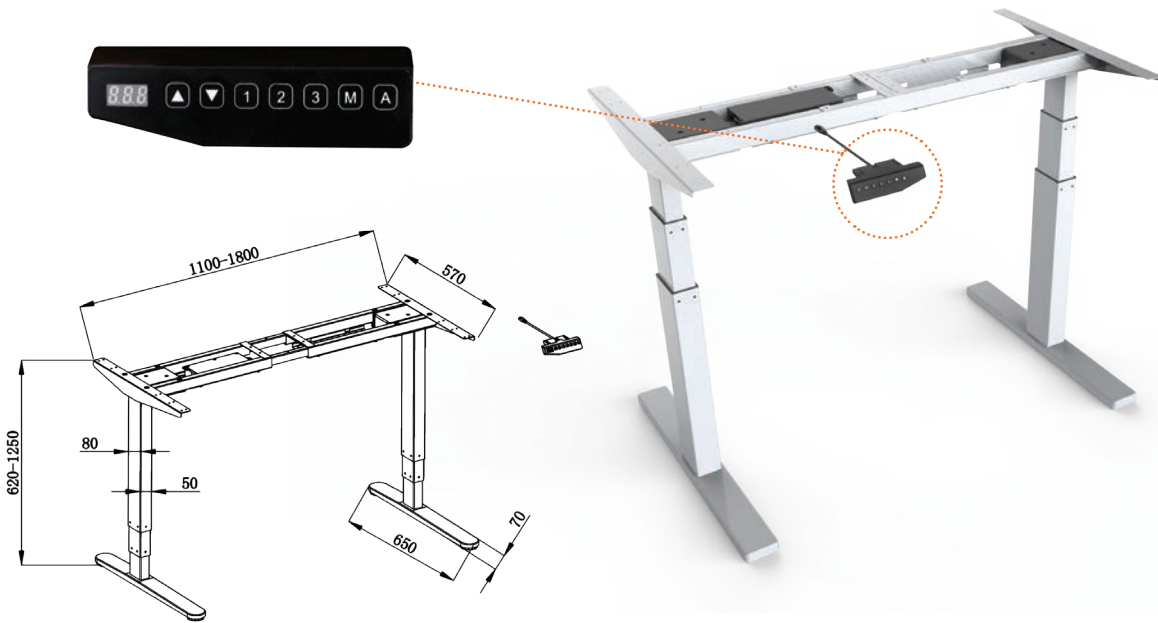
Lifting speed: 22mm/s

Noise: <50dB

Surge Immunity: 1 kV(L 1 to L2) / 2kV(L 1,L2 to PE)

ESD protection: ±4.0kV(Conducted discharge)/ ±8.0kV(Air discharge)

3 STAGE RECTANGLE DESK FRAME

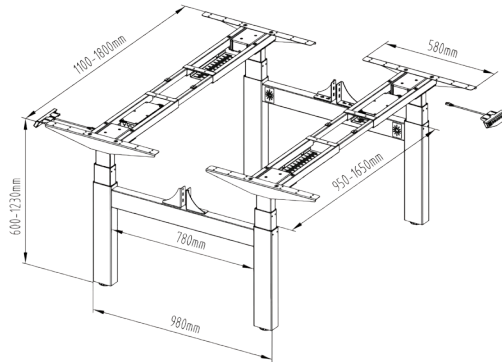


Features:

- Dual linear actuators.
- Arise Basix height adjustable desk frame can be configured to accommodate your own desktop with different size.
- 2-Leg design creates free space.
- 3 stage Leg design enables height adjustment up to 1230mm.
- Sedentary alert.
- Constant speed control.
- Reliable control system, 100% aging test qualified.
- Low standby power consumption, U.S. EPA and European ERP compliant.
- With 3 pre-set heights memory control box.
- Built in cable tray.

Specifications:

Table size: Width: 600-800mm Length:1200-2000mm
Motor: Dual motors
Loading: 125kg
Stroke: 630mm(600-1230mm)
Lifting speed: 38mm/s
Noise: <50dB
Surge Immunity: 1 kV(L 1 to L2) / 2kV(L 1,L2 to PE)
ESD protection: ±4.0kV(Conducted discharge)/
±8.0kV(Air discharge)



Features:

- Four linear actuators.
- Dual tables enable two individual workspace.
- Sedentary alert.
- Constant speed control.
- Reliable control system, 100% aging test qualified.
- Low standby power consumption, U.S. EPA and European ERP compliant.
- With 3 pre-set heights memory control box.
- Built in cable tray.

Specifications:

Table size: Width:600-800mm, Length:1200-2000mm

Motor: Dual motors

Loading: 125kg

Stroke: 630mm (600-1230mm)

Lifting speed: 38mm/s

Noise: <50dB

Surge Immunity: 1 kV(L 1 to L2) / 2kV(L 1,L2 to PE)

ESD protection: ±4.0kV(Conducted discharge)/
±8.0kV(Air discharge)



Arise Basix Frames

3 STAGE BACK TO BACK DESK

Features:

- Dual linear actuators.
- Suitable for L-type desktop.
- Sedentary alert.
- Constant speed control.
- Reliable control system, 100% aging test qualified.
- Low standby power consumption, U.S. EPA and European ERP compliant.
- With 3 pre-set heights memory control box.
- Built in cable tray.

Specifications:

Table size: Width: 600-800mm and 900-1100mm

Length: 1200-2000mm

Motor: Dual motors

Loading: 125kg

Stroke: 630mm(600-1230mm)

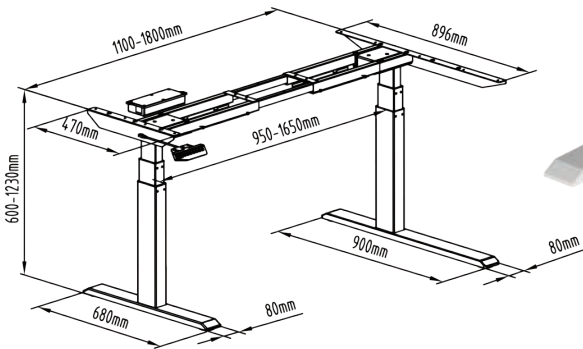
Lifting speed: 38mm/s

Noise: <50dB

Surge Immunity: 1 kV(L 1 to L2) / 2kV(L 1,L2 to PE)

ESD protection: ±4.0kV(Conducted discharge)/

±8.0kV(Air discharge)



Arise Basix Frames

3 STAGE L-SHAPED CORE DESK FRAME LHS/RHS

3 STAGE 120 DEGREE FRAME

Features:

- Three linear actuators.
- Impeccable protection software, including automatic fault detection.
- Sedentary alert.
- Constant speed control.
- Reliable control system, 100% aging test qualified.
- 3 stage Leg design enables height adjustment up to 1230mm.
- Low standby power consumption, U.S. EPA and European ERP compliant.
- With 3 pre-set heights memory control box.
- Built in cable tray.

Specifications:

Table size: 1200x600mm, 1400x700mm

Height Range: 600-1230mm

Motor: Three motors

Loading: 150kg

Stroke: 630mm

Speed: 38mm/s

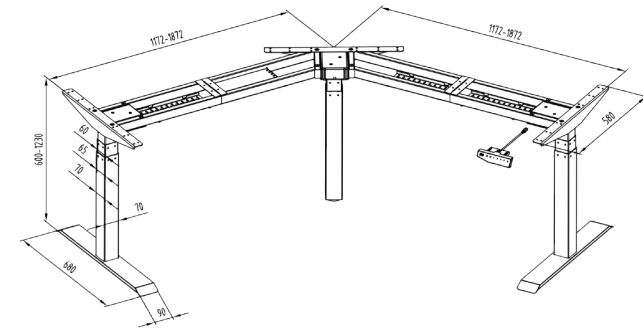
Power: 100V-240V

Noise: <50dB

Surge Immunity: 1 kV(L 1 to L2) / 2kV(L 1,L2 to PE)

ESD protection: ±4.0kV(Conducted discharge)/

±8.0kV(Air discharge)



3 STAGE CORNER FRAME 90



Features:

- Three linear actuators.
- Impeccable protection software, including automatic fault detection.
- Sedentary alert.
- Constant speed control.
- Reliable control system, 100% aging test qualified.
- 3 stage Leg design enables height adjustment up to 1230mm.
- Low standby power consumption, U.S. EPA and European ERP compliant.
- With 3 pre-set heights memory control box.
- Built in cable tray.

Specifications:

Table size: Width: 1200x2000mm, Depth: 600x800mm

Height Range: 600-1230mm

Motor: Three motors

Loading: 150kg

Stroke: 630mm

Speed: 38mm/s

Power: 100V-240V

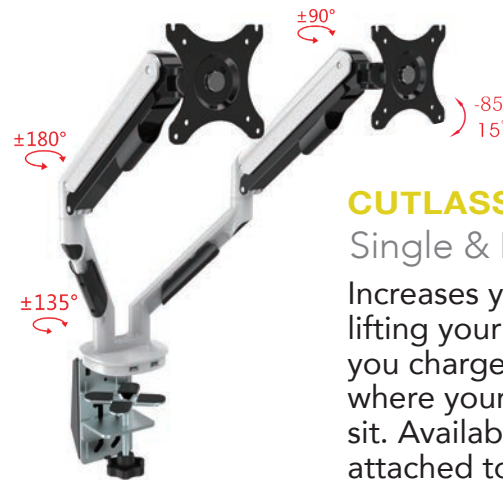
Noise: <50dB

Surge Immunity: 1 kV(L 1 to L2) / 2kV(L 1,L2 to PE)

ESD protection: ±4.0kV(Conducted discharge)/ ±8.0kV(Air discharge)

Features:

- Made of aircraft aluminium.
- Simple and stylish modeling, compact and rugged.
- 360° free switch between portrait & landscape orientation.
- Double USB ports.
- Supports up to 30 inch monitors.
- Sleek and streamlined appearance perfectly complements any contemporary workstation.
- Both a clamp and grommet mount included in the box.
- Tablet and laptop mounts also available.
- Dual independent balanced gaslift height adjustable arm
- 10 year warranty.

**CUTLASS**

Single & Double Arms

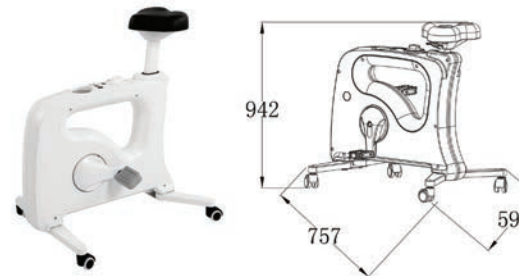
Increases your desktop real estate by lifting your monitor off the desk whilst you charge your USB devices right where your clunky monitor base used to sit. Available as single and double arms attached to a single desk mount.

**SCABBARD CPU HOLDER**

The Scabbard is the CPU holder of choice, easily installed on to your existing or new workstation. The Scabbard CPU holder attaches under your desk surface, with a simple rotation system it allows you access to rear CPU ports. No longer will you need to bend down to the unit sitting on the floor, allowing easy access for under desk cleaning. The perfect partner for your Sit-Stand workstation.

**SPINDESK**

Lose weight and get fit while you work! The Sylex Spindesk allows gentle cycle action which does not interfere with typing or other office activities. Simply rolls out of the way when you prefer to stand or sit in a traditional office chair. The perfect fitness companion to Arise Basix sit stand desks.

**Features:**

- Pneumatic Adjustment Lever.
- Integrated Digital Display.
- 8 Resistance Levels.
- Whisper-Quiet Pedal System.
- Foldable Space-Saving Feet.
- Lockable Gravity Sensor Casters.

ACCESSORIES



POWER BOARD DESK CLAMP

4Gpo, 2 Usb, 2 Data ready to go

The Sylex Power board is a hybrid of softwiring and your standard power board. No longer do you have to be restricted to ONE softwiring supplier. Ready to plug in including data plugs, no technician required.



PVC DESK MAT

Lime & Black

The PVC Desk mat is the ideal accessory for any desk surface. Not only protecting the desk surface, it provides the perfect writing surface, warm and soft to the touch.



ARISE STANDSOFT

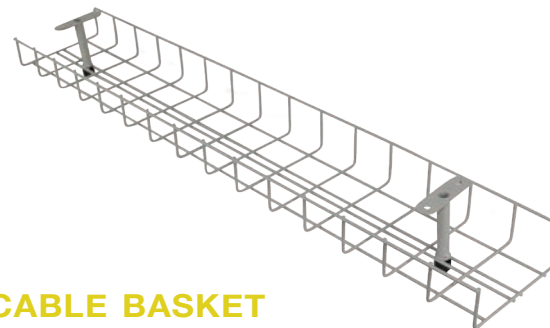
Anti-Fatigue Mat

Stand your way to a healthier way of being. The new Arise Standsoft anti-fatigue mat has been specifically designed to work with the Sylex range of Arise Basix frames. The 100% PU moulded mats provide a platform that transfers downward pressure away from the hips, knees, ankles & feet.



SLINKY CABLE SPINE

Tame the cable jungle. The Cable spine keeps all the cables coming from the floor up to the desk surface under control. Prevents tripping over messy cables and brings a neat and organised look to your workstation. Easy to use, simply feed cables through. Spring like expansion from 150mm to 1300mm.



CABLE BASKET

900mm & 1200mm

Constructed from a heavy duty powdercoated wire, The cable basket simply attaches under the desk top. Drops down to allow easy lay-in cabling. Prevents trips, catches, unplugging and an unsightly tangle of wires.



CABLE ORGANIZER

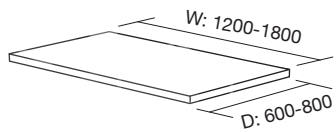
PE Material, 1500mm

The cable zipper is the best way to keep those annoying cables tidy, easy to use applicator, insert your cable and zip them up to a nice, tight bumble.

Arise Basix Range

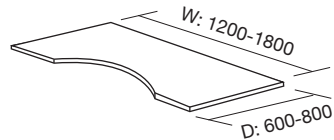
TABLE TOPS

TOPS FOR 2 & 3 STAGE RECTANGLE DESK FRAME



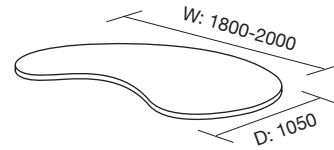
1. Rectangle Desk

Width: 1200-1800mm
Depth: 600-800mm



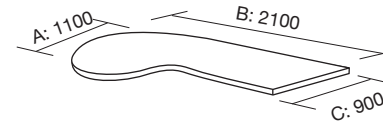
2. Rectangle Desk with Arc

Width: 1200-1800mm
Depth: 600-800mm



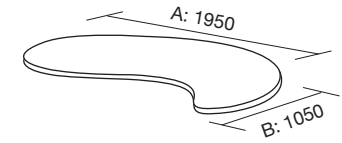
3. Kidney Desk Top

Width: 1800-2000mm
Depth: 1050mm



4. P End Desk (LHS & RHS)

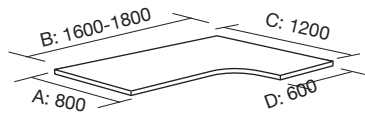
A: 1100mm B: 2100mm
C: 900mm



5. Yinyang Desk Top (LHS & RHS)

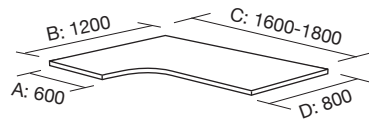
A: 1950mm B: 1050mm

TOPS FOR 3 STAGE L-SHAPED CORE DESK FRAME



1. Core Desk Top RHS

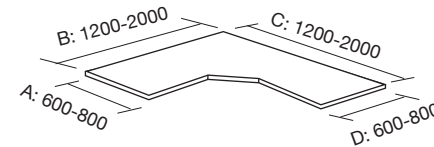
A: 800mm B: 1600-1800mm
C: 1200mm D: 600



2. Core Desk Top LHS

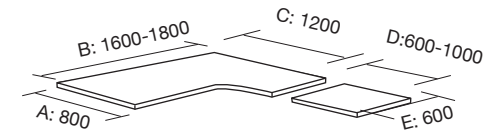
A: 600mm B: 1200
C: 1600-1800mm D: 800

TOPS FOR 3 STAGE CORNER FRAME 90



1. Corner Desk Top With 45° Corner

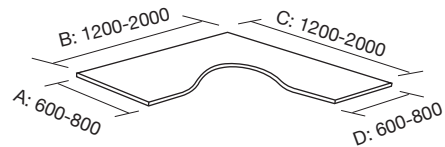
A: 600-800 B: 1200-2000mm
C: 1200-2000mm D: 600-800



2. Core Desk Top LHS&RHS + Return

A: 800mm B: 1600-1800mm
C: 1200mm D: 600-1000 E: 600

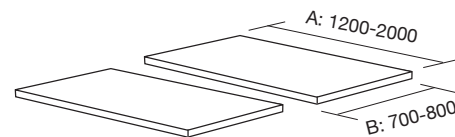
TOPS FOR 3 STAGE CORNER FRAME 90



3. Cockpit Top

A: 600-800 B: 1200-2000mm
C: 1200-2000mm D: 600-800

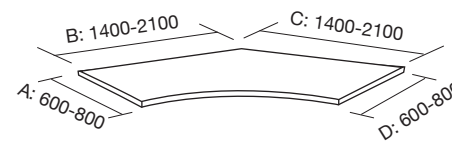
TOPS FOR 3 STAGE BACK TO BACK DESK



1. Rectangle Back To Back Desk Tops

A: 1200-2000mm B: 700-800mm

TOPS FOR 3 STAGE 120 DEGREE FRAME



1. Desk Top For 120° Frame







A: 600-800 B: 1400-2100mm
C: 1400-2100mm D: 600-800

TOPS STOCKED BY SYLEX WHITE AND BEECH

| | |
|------------------------|-------------------------------------|
| Straight desks: | Returns to match core desks: |
| 1200 x 800 | 600 x 600 |
| 1400 x 800 | 1000 x 600 |
| 1600 x 800 | |
| 1800 x 800 | |
| Core desks: | Cockpit desks: |
| 1600 LHS & RHS | 1800 x 1800 x 750 |
| 1800 LHS & RHS | |

All other tops shown can be made to order on request

Arise Basix Desk Frames

| Name | Image | Features | Application | Maximum load incl. desktop | Height including 25mm tabletop | Number of leg sections | Top width range mm | Top depth range mm | Suits human stature |
|----------------------------------|---|--|---|----------------------------|--------------------------------|------------------------|--------------------|----------------------|---------------------|
| 2 Stage Rectangle Desk Frame |  | Dual electronic motors Memory function US and European certified ERP Directive Compliant Surge immunity and ESD Protected | Economical rectangle desk suitable for most users | 125 kgs | 750-1225 | 2 stage | 1200~1800 | 600~800 | 1755 mm to 2000 mm |
| 3 Stage Rectangle Desk Frame |  | Dual electronic motors Memory function US and European certified ERP Directive Compliant Surge immunity and ESD Protected | Rectangle desk suitable for nearly all users | 125 kgs | 625-1255 | 3 stage | 1200~2000 | 600~800 | 1465mm to 2045mm |
| 3 Stage L-Shaped Core Desk Frame |  | Dual electronic motors Memory function US and European certified ERP Directive Compliant Surge immunity and ESD Protected | L-shaped desk suitable for nearly all users, ambidextrous application | 125 kgs | 625-1255 | 3 stage | 1200~2000 | 600~800/ 900~1100 | 1465mm to 2045mm |
| 3 Stage Back To Back Desk Frame |  | Four electronic motors Memory function US and European certified ERP Directive Compliant Surge immunity and ESD Protected | Back to back workstations suitable for nearly all users | 125 kgs | 625-1255 | 3 stage | 1200~2000 | 600~800 | 1465mm to 2045mm |
| 3 Stage Corner Frame 90 |  | Three electronic motors Memory function US and European certified ERP Directive Compliant Surge immunity and ESD Protected | Corner workstation suitable for nearly all users. | 125 kgs | 625-1255 | 3 stage | 1200~2000 | 600~800/1300~1800 | 1465mm to 2045mm |
| 3 Stage 120 Degree Frame |  | Three electronic motors Memory function US and European certified ERP Directive Compliant Surge immunity and ESD Protected | 120 Degree workstation suitable for nearly all users. | 125 kgs | 625-1255 | 3 stage | 1200~2000 | 600~800 | 1465mm to 2045mm |

*General recommendation only. Actual human proportions can vary. For an individual recommendation speak to your ergonomist or Sylex Ergonomics staff.