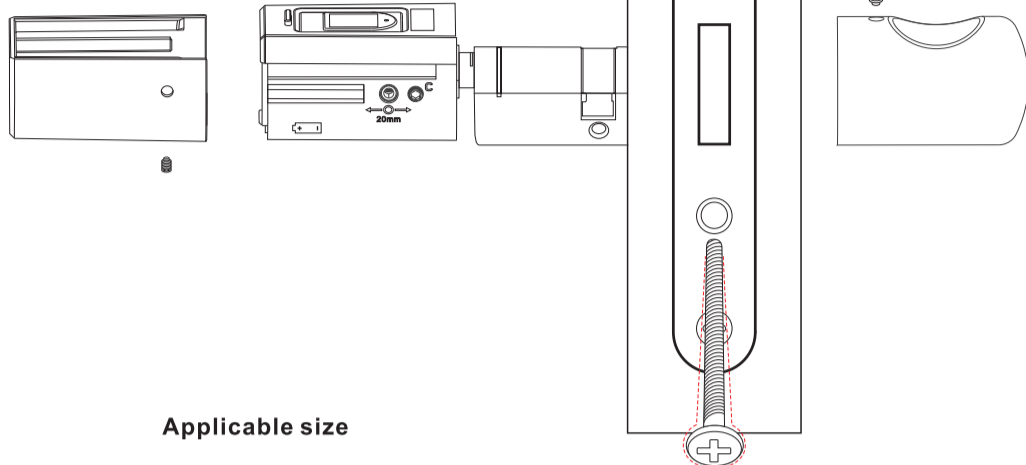
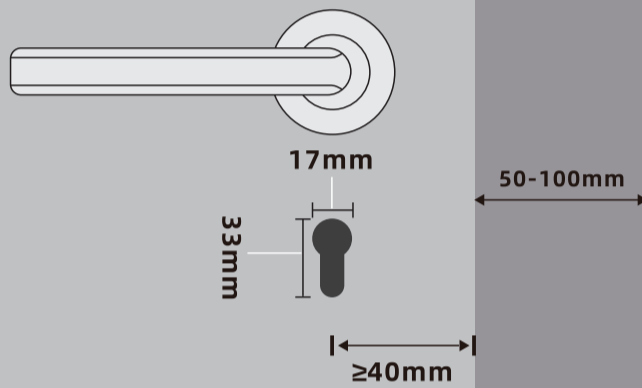


### Catalogue

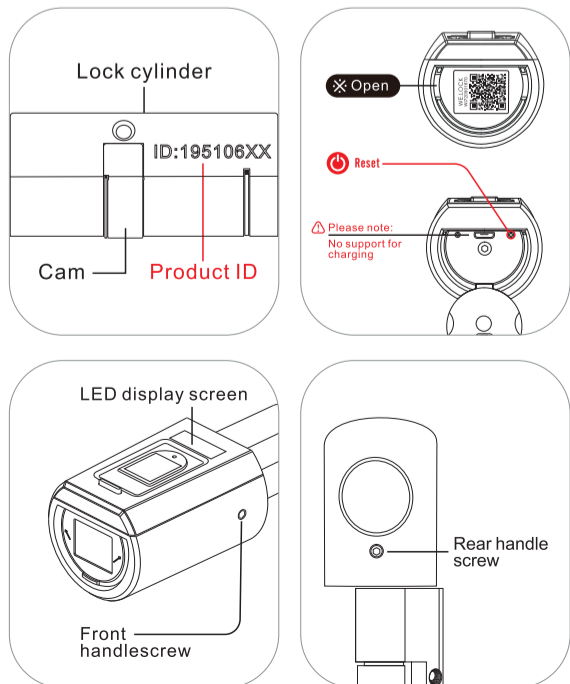
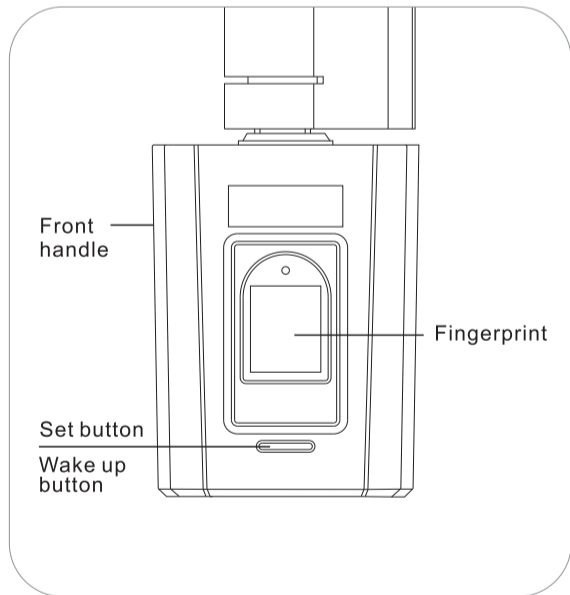
- Applicable size .....01
- Product components .....03
- Accessories list (TOOL BOX) .....04
- Install battery
- Adjust the length of the cylinder.....05
- Installation pictures/video
- Setting operation .....06
- Uresetting diagram .....08
- Unlock and lock
- Bluetooth activation and login instructions ....09
- Select"Android/iOS"to download
- Log in to the app
- Bind the device .....10
- Specifications.....11
- FAQ



Applicable size

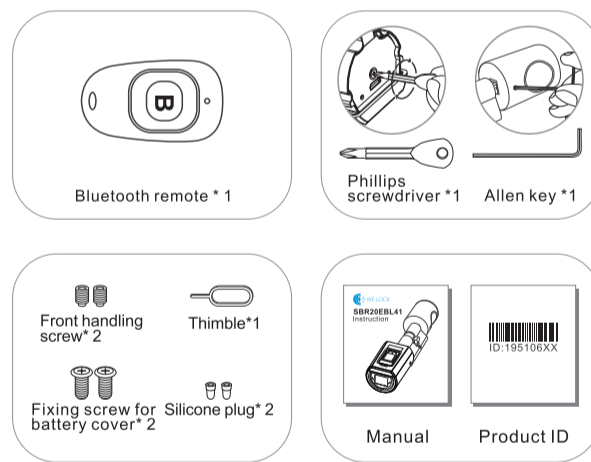


### Product Components

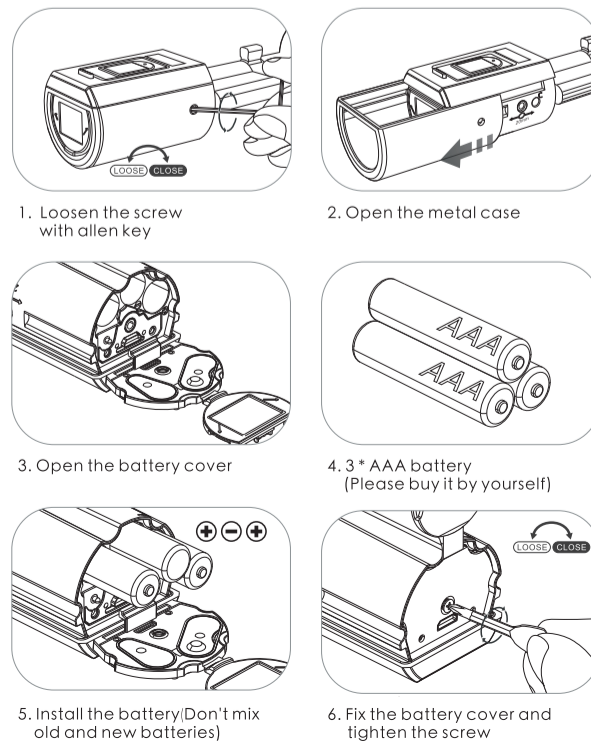


### Elenco accessori(TOOL BOX)

In caso di mancanza di accessori, contatti il servizio clienti.

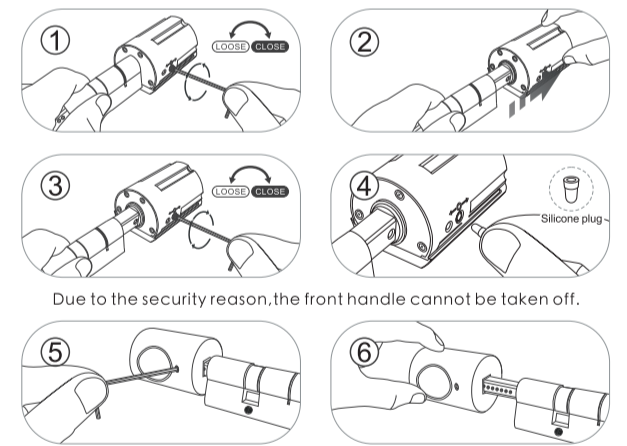


### Install battery

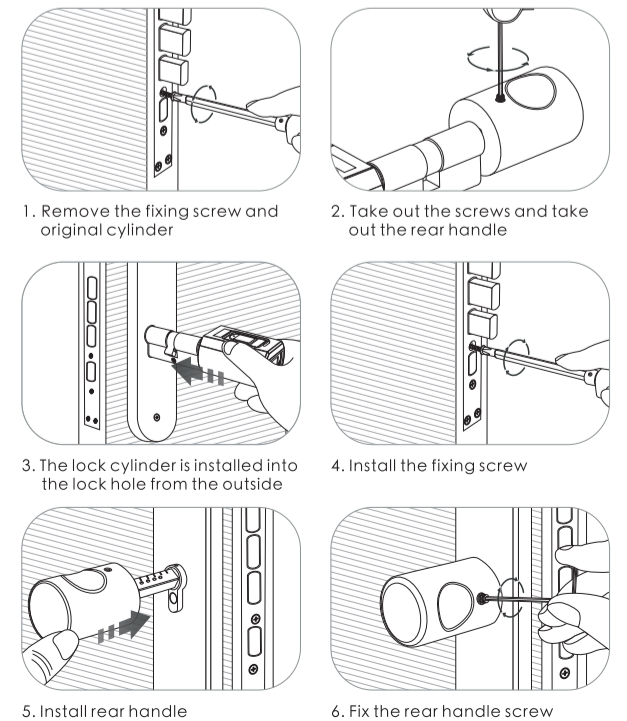


### Adjust the length of the cylinder

Depending on the required cylinder length you can adjust the interior and exterior length by loosening the screw with the screwdriver and then pulling out the handle upon need. Tighten the screws after adjustment and plug the adjustment holes with silicone plug, which can play a certain waterproof effect.



### Installation pictures



## Setting operation:

Press the Set button for 5 seconds to enter the setup menu and set the fingerprint lock function. Press the set button several times to switch between different settings. Each button needs to be completed within 2 seconds.

### 1. Add administrator fingerprint

A total of 3 admin fingerprints can be set (admin fingerprint can only add 1 at a time). Only administrators can set up operations. When registering, the first administrator, there is no need to verify the admin fingerprint. When registering the follow-up administrator fingerprint and performing other setting operations, the registered admin fingerprint must be verified first and subsequent operations can be performed afterward. Fingerprint registration requires 3 times fingerprints scan.

### 2. Add user fingerprint

Press the Set button once, add the user fingerprint. First, verify the admin fingerprint. After the verification pass, user fingerprints can be added continuously, overtime will exit. The number of user fingerprints is 497. (When the admin fingerprint is not registered, the user fingerprints cannot be registered.)

### 3. Delete user fingerprint

Delete a single fingerprint: press the Set button twice, delete a single user fingerprint. First, verify the admin fingerprint. After the verification pass, select to delete the fingerprint of the specified user, overtime will exit. (Press the fingerprint or delete it in the APP) (ID No. 4-500)

### 4. Clear user fingerprints

Press the Set button 3 times, clear all user fingerprints. First, verify the admin fingerprint, after the verification pass, the system will clear all user fingerprints. (ID No. 4-500)

### 5. Add wireless remote (Not applicable for this model)

Press the Set button 4 times, add the wireless remote. First, verify the admin fingerprint. After the verification pass, one wireless remote can be added at a time. A total of 8 wireless remotes can be added. When the admin fingerprint is not registered, the wireless remote cannot be added.

### 6. Clear wireless remote (Not applicable for this model)

Press the SET button 5 times, clear all wireless remotes. First, verify the admin fingerprint. After the verification pass, clear all wireless remotes.

### 7. Add Bluetooth remote

Press the Set button 6 times, add the Bluetooth remote. First, verify the admin fingerprint. After the verification pass, press the Bluetooth remote control within 60 seconds (press the remote control, release the indicator light from red to pink), it will show that the addition is successful. Please note that if the administrator fingerprint is not registered, it cannot be operated.

### 8. Clear Bluetooth remotes

Press the Set button 9 times, clear all Bluetooth remotes. First, verify the admin fingerprint. After the verification pass, clear all Bluetooth remotes.

### 9. Display language setting

Press the Set button 8 times, switch the display language between Chinese and English. First, verify the admin fingerprint. After the verification pass, if the original display is Chinese, it will switch to English; if the original display is English, it will switch to Chinese.

### 10. Lock time delay setting

Press the Set button 9 times, enter the lock time setting. You can set the delay time after unlocking to before locking. The scope is 5 to 14 seconds to meet different requirements. First, verify the admin fingerprint. After the verification pass, press the setting button to switch from 5 to 14s. If there is no operation in 2 seconds, the system will choose the default as the locking time. The factory setting is 10 seconds. If there is no registered admin fingerprint, you don't need to verify the admin fingerprint.

### 11. Turn on/off Bluetooth

Press the Set button 10 times, turn on/off Bluetooth. First, verify the admin fingerprint. After the verification pass, if the Bluetooth is turned on, you will turn the Bluetooth off. If the Bluetooth is turned off, you will turn the Bluetooth on. If there is no registered admin fingerprint, you don't need to verify the admin fingerprint.

### 12. Restore factory setting

Press the Set button 11 times, clear and restore the factory setting. First, verify the admin fingerprint. After the verification pass, clear all data including admin fingerprints, user fingerprints, wireless remotes and Bluetooth remotes. If there is no registered admin fingerprint, you don't need to verify the admin fingerprint.

### 13. View front handle version

Press the Set button 12 times, view the machine hardware and software version numbers. No need to verify the admin fingerprint.

### 14. Turn on/off sound

Press the Set button 13 times, turn on/off the sound. First, verify the admin fingerprint. After the verification pass, if the sound is turned on, you will turn the sound off. If the sound is turned off, you will turn the sound on.

### 15. Lower voltage alarming

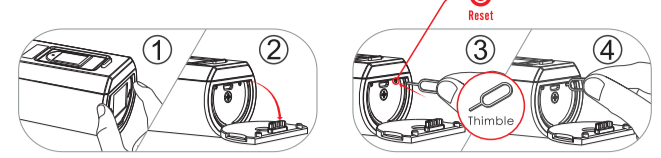
When the voltage is lower than 3.6V, after waking up, the voltage will alarm. Please change the batteries as soon as possible.

## Unlock Operation:

Wake up: the system will be in a dormant state usually.

- If you need to verify your fingerprint, first you need to press the setting button to wake up the system and then verify the fingerprint. Please press and hold the setting button for 5 seconds to enter the setting menu. Before registering fingerprints, any fingerprint can unlock the lock. After registering the fingerprint and the remote control, you need to register the fingerprint or the remote control to unlock. After successful fingerprint and remote control verification, the display will show the user ID number.
- Open the mobile phone APP, connect to Bluetooth and click unlock. After the prompt sound, turn the handle to open the door. The unlock time is 5 to 14 seconds, and then the lock will be locked automatically.

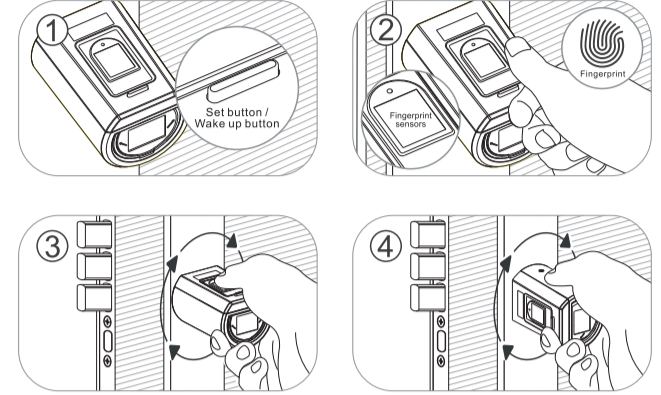
## Uresetting diagram



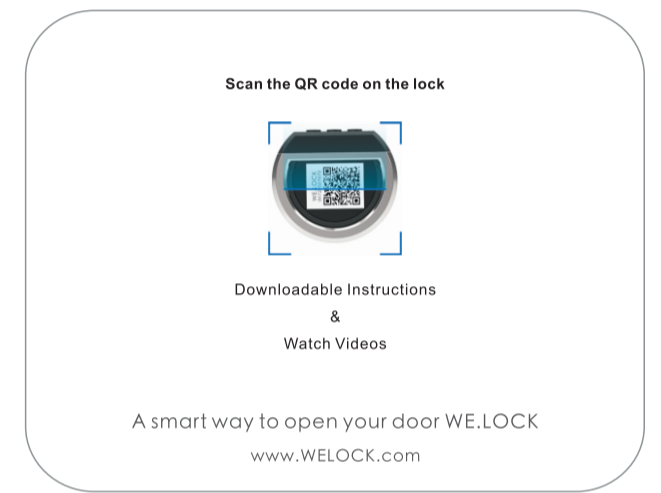
1. Open the silicone cover
2. Find the Thimble in the attached accessories
3. Find the hole where the reset button is located
4. Insert the thimble into the hole and press the reset button

## Unlock and lock

Unlock the door from outside



The knob can be rotated 360 degree freely after locked. To protect the lock not be damaged by torsion forcefully.



## Bluetooth activation and login instructions

Scan the QR code on the lock

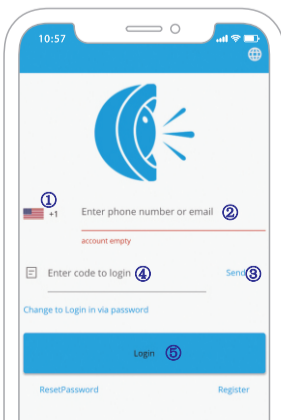


Select "Android/iOS" to download

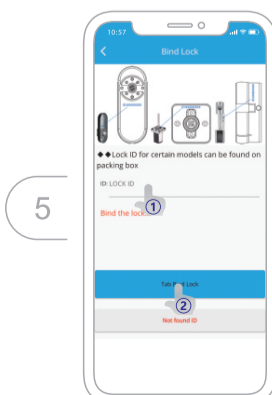
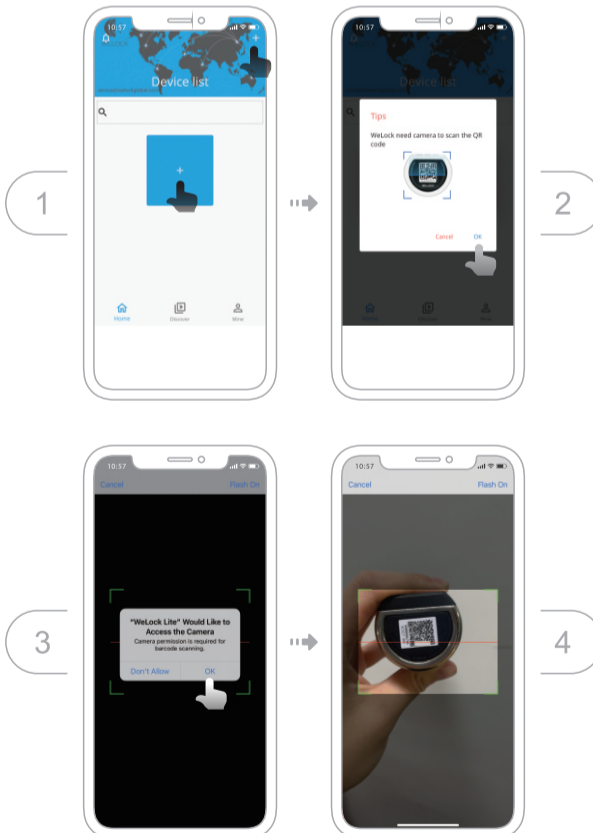


## Log in to the app

- Select your country/region
- Enter the phone number/email to get the verification code
- Click "Send"
- Enter the verification code after receiving the message
- Click "Login"



## Bind the device



## Specifications

Brand	WE.LOCK
Applicable door types	Wooden doors, Interior doors, Glass doors
Adjustable range	50-100 mm
Operating Temperature	-25°C - 60°C
Pressing Cycle Times	100,000 Times
Material of handle	Pure 304 Stainless Steel
Way to unlock	Fingerprint/Remote Control/Bluetooth
Battery Type	3*AAA Battery
Power input	3.6V-4.8V
Battery Replacement	Replaceable
Color	Silver
Battery Life	10-12 months

## FAQ

- How can I know the lock is out of power?**  
Each time you use it, a screen above the fingerprint device shows the power. APP will prompt low battery and send text messages to the phone.
- Does the lock knob still works after I replaced the lock?**  
It still works. It only replaces the cylinder. It won't affect the other functions of the original lock.
- Will it read slowly or fail to recognize the fingerprint after long time using?**  
It won't. The fingerprint sensor has a particular protection film on it.
- Is it complicated to set?**  
It's easy. Press the Set button for 5 seconds to enter the setup menu. The screen will show you the functions for choosing, and you just need to press your fingerprint.
- If we install all the houses' doors with We. Lock, can we use the phone APP to unlock all of it?**  
Yes, you can. One phone can be in charge of many different locks. Just remember to mark the name of each lock.
- Online Service:**  
Email: service@welockglobal.com