



UTV & ATV Armor Kit Installation Tips

Thank for your purchase of this Ricochet Off-Road Armor Kit. All of our kits are custom designed to fit each model and should install hassle free with no additional modifications required. Please carefully read through all included instruction sheets before beginning your install.

The tips described on this sheet are general mounting tips that may or may not apply to your particular model, refer to the attached model specific instructions for a step by step mounting procedure.

If you do encounter a problem during installation please check the FAQ on our website or feel free to contact us by phone or email using the contact info at the bottom of this page.

Required Tools:

(refer to your hardware placement guide for bolt sizes)

Button Head TORX Bolts: (socket bit is highly recommended)

8mm bolts use a T-40 TORX bit

6mm bolts use a T-30 Torx bit

Hex Bolts & Nuts:

10mm bolts uses 17mm

8mm bolts uses 13mm

6mm bolts uses 10mm

1/4"-20 bolts uses 7/16"

Drill Bits:

While we try to avoid drilling whenever possible some models require one or two mounting points to be match drilled. When instructions call for a drilled mounting point use an **11/32"** bit to match drill through the mounting point on the skid plate only after the plate has been fully secured to your machine using the other hardware listed on your hardware guide.

Locking Nuts:

Most sets will include two types of locking nuts. Loose nuts are Nylock, and any nuts welded onto other hardware are pinch-style Stover lock nuts. It is highly recommended that you use a bit of Anti-seize or a drop of oil on the threads of the welded-on pinch style nuts, this will make the bolts go on and come off much easier.

Other helpful tips:

- Before you begin the installation organize all the included hardware according to the hardware placement sheet so you can quickly find the correct bolts and brackets when you need them.
- Install all bolts finger-tight at first until all hardware has been installed, this will give you maximum adjustability.
- When using the cupped washers to secure the plates to factory mounting points do not over torque the bolts because the threads can strip easily. If you do strip one out the simplest way to repair the thread is to use a 1/4"-20 x 5/8" self tapping bolt.
- You may find it easier to remove the rear tires when installing the rear a-arm guards, it's typically very tight and hard to see when the tires are left on.

Contact us at 1-866-273-1197 or dh_gibbs@comcast.net with any questions or concerns.

Mounting Instructions for P/N 918-U

Front Bash (775TU)

- 2) #832 cup washer
- 2) #832-8 cup washer (larger hole for 8mm bolt)
- 2) 6x12mm Self Tapping Bolt
- 1) #700-40 nut plate
- 2) 8x25mm Hex Bolts
- 2) 1/4" Lock Washers

Front Main (775M1U)

- 3) #840 cup washer
 - 3) 6x16mm flange bolt
 - 8) 8x25mm hex bolts
 - 2) 6mm Nylock Nuts
 - 2) 6mm HD Flat Washers
 - 8) 8mm HD washers
 - 4) 1 1/4 clamp
 - 4) 1.5 "A" clamp
- (Nuts and washers are for two drilled mounts)

Center Main (775 MU)

- 3) #840 cup washer
- 3) 6x16mm flange bolt
- 5) 8x25mm hex bolts
- 3) 1 3/4 "B" clamp
- 2) 1 1/2 "A" clamp
- 2) #700-37 nut plate
- 2) 8x45mm hex bolts
- 7) 8mm Flat HD washers
- 2) #700-09 spacers

Rear Main (918RU)

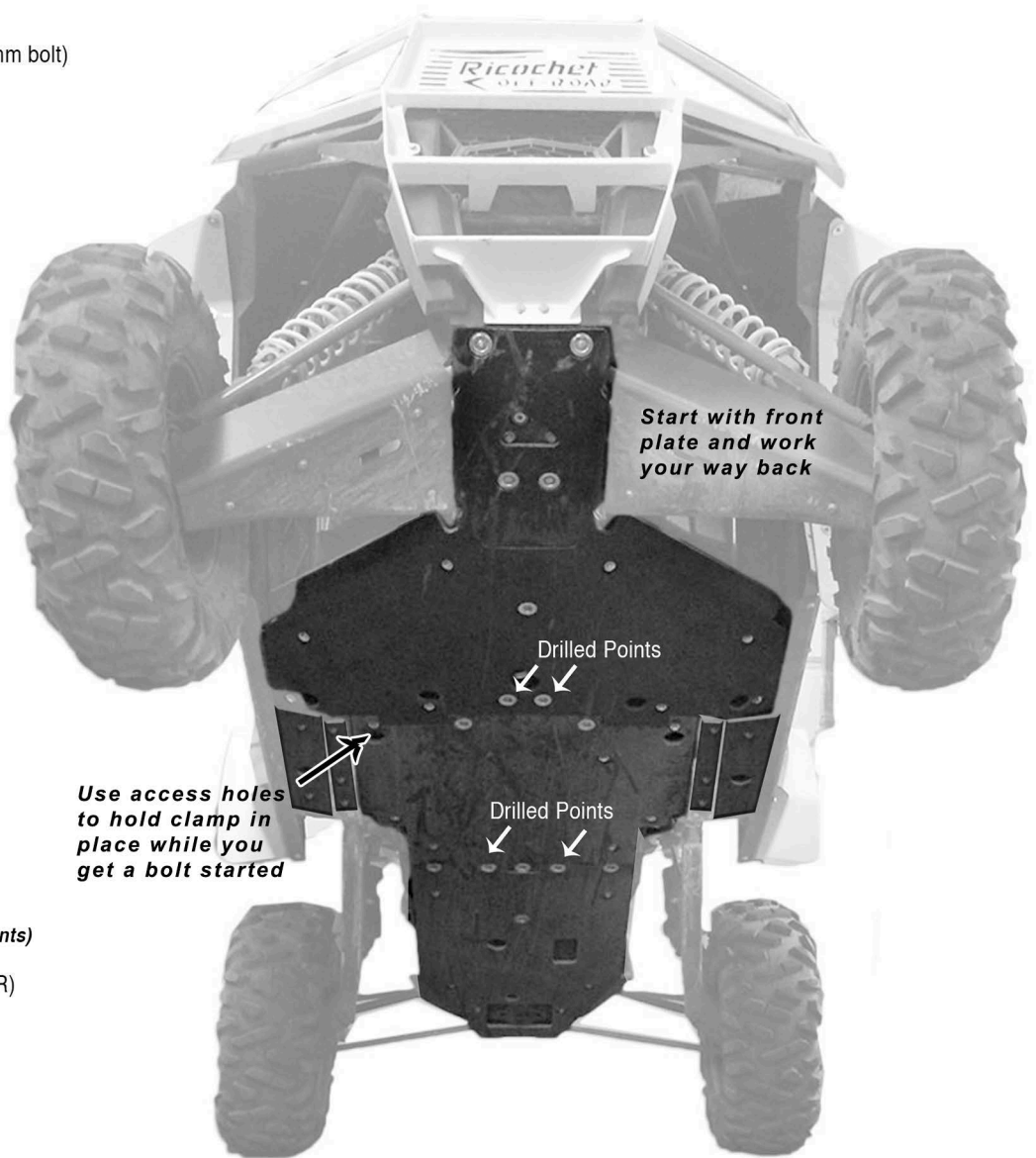
- 7) #840 cup washer
 - 4) 1 3/4 "B" clamps
 - 4) 8x25mm hex bolts
 - 6) 8mm HD washer
 - 7) 6x16mm flange bolts
 - 2) 6mm nylock nut*
 - 2) 6mm HD Flat washer*
- *(Nuts and washers are for two drilled mounts)

Outer Side Panel (775FBUL & 775FBUR)

- 4) 8x25mm hex bolts
- 4) 8mm HD washer
- 2) 1.5 "A" clamp
- 2) #700-37 nut plate

Inner Side Pannel (775SUL & 775SUR)

- 4) 6x16mm Hex bolts
- 4) 6mm HD washers
- 2) 8x25mm hex bolts
- 2) 8mm HD washer
- 2) #700-76 nut plate



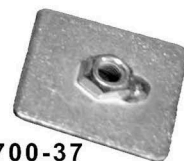
#700-40



#700-76

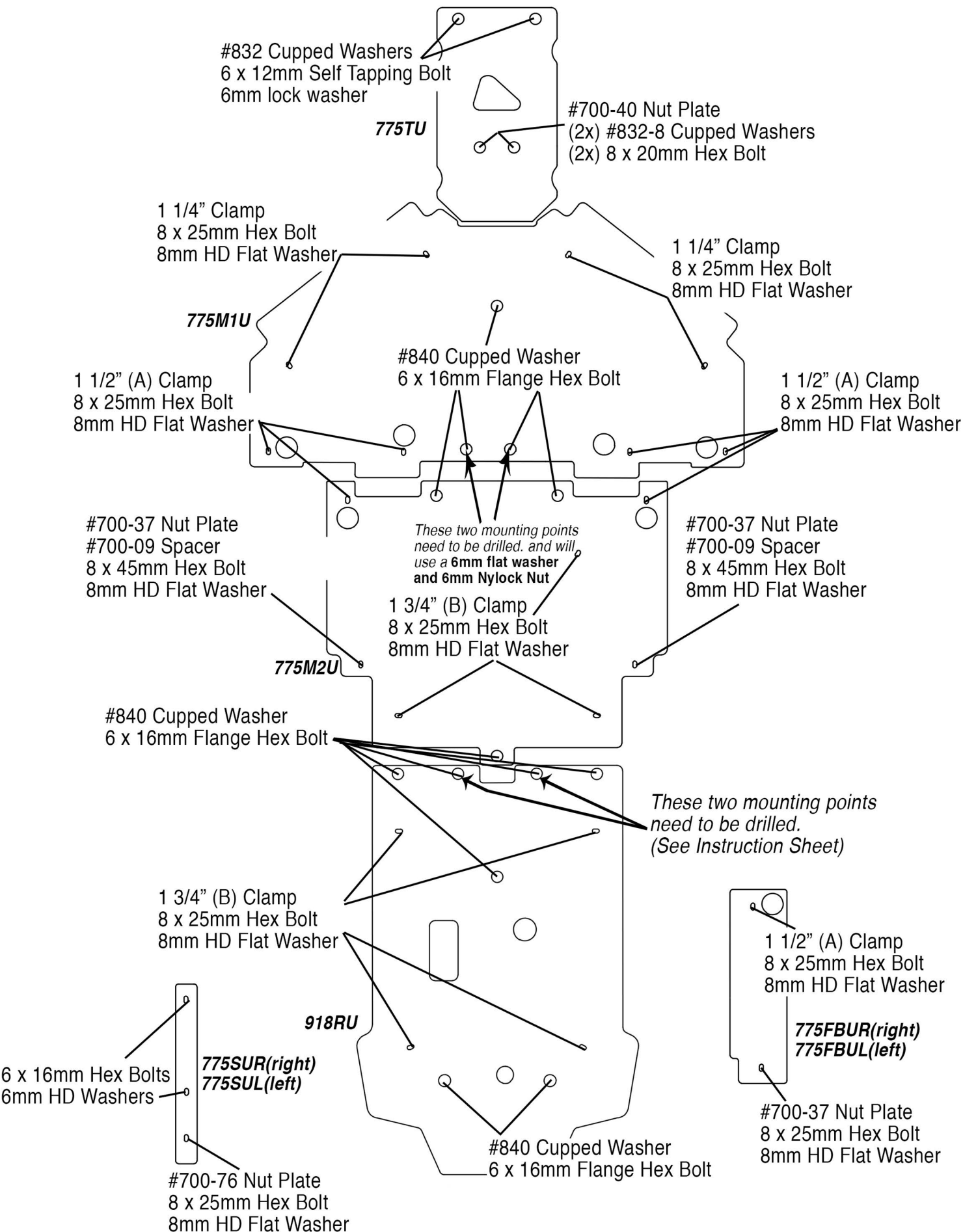


#700-06



#700-37

Hardware Placement Guide for P/N 918-U



#832 Cupped Washers
6 x 12mm Self Tapping Bolt
6mm lock washer

775TU

#700-40 Nut Plate
(2x) #832-8 Cupped Washers
(2x) 8 x 20mm Hex Bolt

1 1/4" Clamp
8 x 25mm Hex Bolt
8mm HD Flat Washer

1 1/4" Clamp
8 x 25mm Hex Bolt
8mm HD Flat Washer

775M1U

#840 Cupped Washer
6 x 16mm Flange Hex Bolt

1 1/2" (A) Clamp
8 x 25mm Hex Bolt
8mm HD Flat Washer

1 1/2" (A) Clamp
8 x 25mm Hex Bolt
8mm HD Flat Washer

#700-37 Nut Plate
#700-09 Spacer
8 x 45mm Hex Bolt
8mm HD Flat Washer

*These two mounting points
need to be drilled, and will
use a 6mm flat washer
and 6mm Nylock Nut*

#700-37 Nut Plate
#700-09 Spacer
8 x 45mm Hex Bolt
8mm HD Flat Washer

775M2U

1 3/4" (B) Clamp
8 x 25mm Hex Bolt
8mm HD Flat Washer

#840 Cupped Washer
6 x 16mm Flange Hex Bolt

*These two mounting points
need to be drilled.
(See Instruction Sheet)*

1 3/4" (B) Clamp
8 x 25mm Hex Bolt
8mm HD Flat Washer

1 1/2" (A) Clamp
8 x 25mm Hex Bolt
8mm HD Flat Washer

918RU

775FBUR(right)
775FBUL(left)

6 x 16mm Hex Bolts
6mm HD Washers

775SUR(right)
775SUL(left)

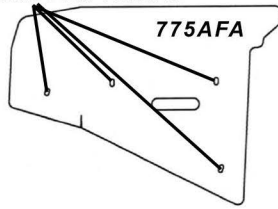
#700-37 Nut Plate
8 x 25mm Hex Bolt
8mm HD Flat Washer

#700-76 Nut Plate
8 x 25mm Hex Bolt
8mm HD Flat Washer

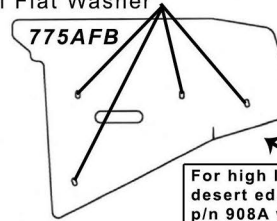
#840 Cupped Washer
6 x 16mm Flange Hex Bolt

Clamp & Hardware Placement for P/N 775AF, 775AR & 775FB

1" Clamp
8 x 20mm Button Head Bolt
8mm Flat Washer



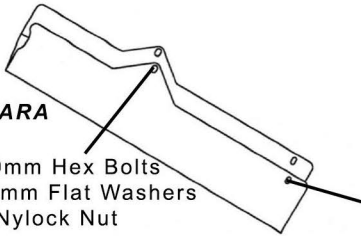
1" Clamp
8 x 20mm Button Head Bolt
8mm Flat Washer



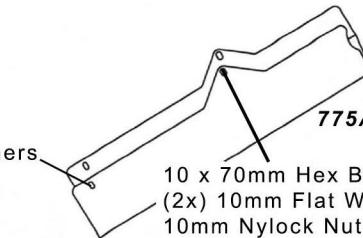
For high lifter & desert ed. use p/n 908A with 1 1/4" clamps

775ARA

10 x 70mm Hex Bolts
(2x) 10mm Flat Washers
10mm Nylock Nut



#700-77 Bracket
8 x 65mm Hex Bolt
(2x) 8mm Flat Washers
8mm Nylock Nut

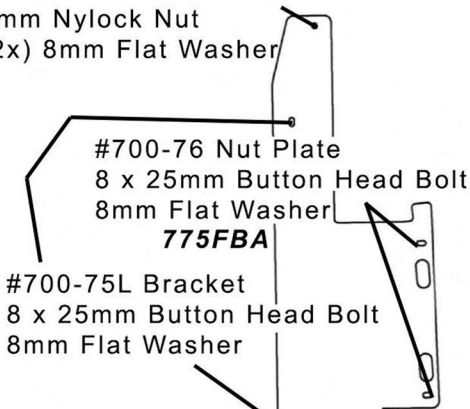


775ARB

10 x 70mm Hex Bolts
(2x) 10mm Flat Washers
10mm Nylock Nut

(Match drill only after center hardware is fully installed, see instruction step 8)

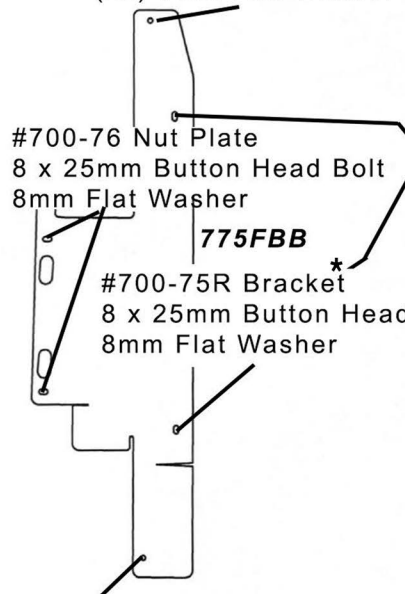
8 x 25mm Button Head Bolt
8mm Nylock Nut
(2x) 8mm Flat Washer



#700-75L Bracket
8 x 25mm Button Head Bolt
8mm Flat Washer

(Match drill only after center hardware is fully installed, see instruction step 8)

8 x 25mm Button Head Bolt
8mm Nylock Nut
(2x) 8mm Flat Washer



#700-76 Nut Plate
8 x 25mm Button Head Bolt
8mm Flat Washer

#700-75R Bracket
8 x 25mm Button Head Bolt
8mm Flat Washer

(Match drill only after center hardware is fully installed, see instruction step 8)

8 x 25mm Button Head Bolt
8mm Nylock Nut
(2x) 8mm Flat Washer

(Match drill only after center hardware is fully installed, see instruction step 8)

8 x 25mm Button Head Bolt
8mm Nylock Nut
(2x) 8mm Flat Washer

Mounting Instructions for p/n 775U, 918U, 786U & 781U

1. Begin by removing all factory skid plates
2. Using the hardware placement guide organize all the hardware so it's easy to find the hardware you need at each mounting point.
3. The nuts welded on to the clamps and nut plates are a pinch style locking nut so it is highly recommended that you apply a small amount of anti-seize or oil to the bolt threads that are used with these clamps.
- 4.. Start with the front skid attaching your skids to the factory mounting points using the #832 silver cupped washers fastened to factory mounts and #700-06 nut plates braced behind the steel plate beneath the front diff. Leave bolts loose for now
5. Now work your way back attaching each plate with the correct hardware as listed on your hardware placement guide.
 - It's usually best to begin by hanging the plate using one of the center mounts leaving the bolt finger tight, then install the outer hardware also leaving all hardware loose.
 - The second plate from the front (M1U) will need to be fully mounted before moving on to the next plate. Except for the 2 drilled points attach all hardware loosely, then begin tightening everything down making sure the plate is firmly butted up against the front plate.
 - Using a 1/4" bit match drill through the center of the two remaining mounting points opening up a hole in which you can attach the cupped washer with a Nylock nut.
 - Attach all of the remaining skids loosely. Then go back through and tighten everything down making sure each plate is positioned correctly.
 - Utilize access holes to hold clamps in place as you get a bolt started.
 - The #700-37 nut plates need to have a spacer placed between the nut plate and the skid plate to fill the gap.
 - Use the same procedure as described above to attach the drilled points on the rear skid.
 - Mount rock sliders or small edge skids very last.
- 6a. If you are installing the UHMW edge skids use hardware shown on your hardware placement guide to attach in the positions shown in photo.
- 6b. If you are installing the aluminum rock sliders begin by mounting the #700-75 brackets to the sides of your machine reusing the existing bolt as shown in fig. 2. Be aware that there are lefts and rights so make sure it is oriented as shown in the photo.
 - Now mount the rock sliders to these brackets and to the #700-76 nut plates used underneath. Position the rock slider tight against the plastic and tighten down all 4 of these bolts.
 - Now using an 11/32" bit (3/8" will work) match drill through the other two mounting points on each rock slider and install an 8 x 25mm button head bolt with nylock nut to complete the installation.

Tips for Installing Rock Sliders

- 1, Place your rock slider in it's proper position noting the two bolts that sit just in front of the outside mounting points.
2. Remove these bolts and reuse them to mount the #700-75 brackets as shown in fig 2.
3. Put your rock slider back into place and lightly fasten bolts in all the non-drilled locations.
4. Once all these bolts are started you can begin tightening each one down a little at a time making sure the slider stays firmly pressed against the ourter plastic. This will help the metal flex for a better more conforming fit



fig 2