



UTV & ATV Armor Kit Installation Tips

Thank for your purchase of this Ricochet Off-Road Armor Kit. All of our kits are custom designed to fit each model and should install hassle free with no additional modifications required. Please carefully read through all included instruction sheets before beginning your install.

The tips described on this sheet are general mounting tips that may or may not apply to your particular model, refer to the attached model specific instructions for a step by step mounting procedure.

If you do encounter a problem during installation please check the FAQ on our website or feel free to contact us by phone or email using the contact info at the bottom of this page.

Required Tools:

(refer to your hardware placement guide for bolt sizes)

Button Head TORX Bolts: (socket bit is highly recommended)

8mm bolts use a T-40 TORX bit

6mm bolts use a T-30 Torx bit

Hex Bolts & Nuts:

10mm bolts uses 17mm

8mm bolts uses 13mm

6mm bolts uses 10mm

1/4"-20 bolts uses 7/16"

Drill Bits:

While we try to avoid drilling whenever possible some models require one or two mounting points to be match drilled. When instructions call for a drilled mounting point use an **11/32"** bit to match drill through the mounting point on the skid plate only after the plate has been fully secured to your machine using the other hardware listed on your hardware guide.

Locking Nuts:

Most sets will include two types of locking nuts. Loose nuts are Nylock, and any nuts welded onto other hardware are pinch-style Stover lock nuts. It is highly recommended that you use a bit of Anti-seize or a drop of oil on the threads of the welded-on pinch style nuts, this will make the bolts go on and come off much easier.

Other helpful tips:

- Before you begin the installation organize all the included hardware according to the hardware placement sheet so you can quickly find the correct bolts and brackets when you need them.
- Install all bolts finger-tight at first until all hardware has been installed, this will give you maximum adjustability.
- When using the cupped washers to secure the plates to factory mounting points do not over torque the bolts because the threads can strip easily. If you do strip one out the simplest way to repair the thread is to use a 1/4"-20 x 5/8" self tapping bolt.
- You may find it easier to remove the rear tires when installing the rear a-arm guards, it's typically very tight and hard to see when the tires are left on.

Contact us at 1-866-273-1197 or dh_gibbs@comcast.net with any questions or concerns.

Hardware List & Mounting Instructions for P/N 9112

Frame Skids (790T, 790M1, 790M2, 790R)

- 24) #833 Cupped Washers
- 6) 1" Clamps
- 3) #826 Clamps
- 3) 1 3/4" "B" Clamps (black)
- 24) 6mm Flange Bolts
- 2) 6 x 35mm Button Head Bolts
- 9) 8 x 20mm Button Head Bolts
- 4) 8 x 30mm Button Head Bolts
- 2) 6mm Lock Washers
- 2) 6mm HD Flat Washers
- 13) 8mm Flat Washers
- 1) 8mm HD Flat Washer (larger one)
- 1) 8mm Nylock Nut

Front A-Arm Guards (912AFA, 912AFB)

- 8) 7/8" Clamps
- 8) 8 x 20mm Button Head Bolts
- 8) 8mm Flat Washers

Rear A-Arm Guards (912ARA, 912ARB)

- 8) 1 1/4" Clamps
- 8) 8 x 20mm Button Head Bolts
- 8) 8mm Flat Washers

Mounting Instructions

1. Remove all factory plastic skid plates as well as the two lower bolts on the front bumper as shown on the hardware placement guide.
2. Take a minute to familiarize yourself with the hardware placement guide and prepare all the hardware so it is easy to find each size clamp or bolt when you need it.
3. It is highly recommended that you use a little anti-seize or a drop of oil on the threads of each nut welded onto a clamp.
4. You will also need to undo the TORX bolts on the floorboards just inside the door to give you access to where the 1 3/4" Clamps need to go.
5. Begin mounting your skid plates starting from the rear and working your way forward. Use the cupped washers and flange bolts to mount the skids to factory mounting points and use the clamps wrapped around the frame tube and secured to the plate with button head bolts. There are access holes next to each clamp position so you can hold the clamp in place as you thread in each bolt. Leave everything finger tight at this time so the plates "float" a bit and their positions can be adjusted.
6. Once the three main skid plates are installed slide the front piece (790T) under the plastic bumper as shown on your hardware placement guide and use the 6 x 35mm Bolts with lock & flat washers to mount the skid to same spot you removed the bolts in step 1.
7. Finish mounting this plate by overlapping the rear mounting point on the 790T with the forward mounting point on the 790M1 and bolt the plates together using the 8 x 30mm Button Head Bolts with washers and a nylock nut.
8. After all the hardware is installed you may begin tightening down each bolt while making sure each plate is firmly butted against each plate adjacent to it.
9. Reattach the bolts on your floorboards
10. If you have ordered the optional layer of UHMW you can attach that now using the #833 cupped washers and flange bolts to attach the UHMW to each threaded insert on the skid plates.
11. Now if you have ordered A-Arm Guards you can install them. Refer to the hardware placement guide and mount to the a-arms using the specified hardware. Again leave everything loose until all the hardware is installed.
12. Finally tighten the bolts on your a-arm guards while checking to make sure that they are positioned in a spot that gives you the best protection without causing interferences. Turn the wheel full lock in both directions to make sure there are no interferences with the guards.

Clamp & Hardware Placement Guide for P/N 9112

6 x 35mm Hex Bolt
6mm Lock Washer
6mm HD Flat Washer

*Skid Plate slides under plastic bumper here

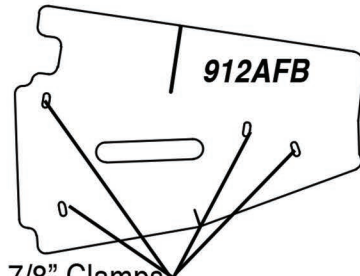
#833 Cupped Washer
6mm Hex Flange Bolt

1" Clamps
8x20mm Button Head Bolts
8mm Flat Washers

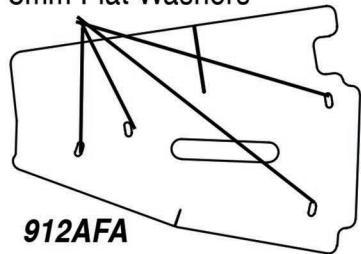
7/8" Clamps
8 x 20mm Button Head Bolts
8mm Flat Washers

8 x 30mm Button Head Bolt
8mm HD Flat Washer
8mm std. Flat Washer
8mm Nylock Nut

790T



7/8" Clamps
8 x 20mm Button Head Bolts
8mm Flat Washers



#826 Clamps
8x30mm Button Head Bolts
8mm Flat Washers

790M1

1 3/4" "B" Clamp (Black Zinc)
8x20mm Button Head Bolts
8mm Flat Washers

1 3/4" "B" Clamp (Black Zinc)
8x20mm Button Head Bolts
8mm Flat Washers

Optional UHMW Add-ON

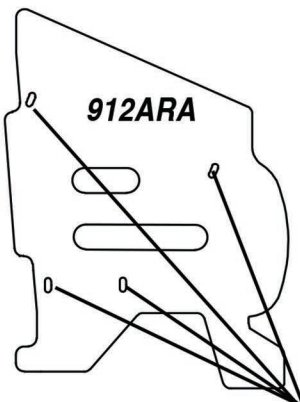
40) #833 Cupped Washers
40) 6mm Flange Bolts
(used on 39 mounting points
w/ 1 spare washer & bolt)

#833 Cupped Washer
6mm Hex Flange Bolt
(use in all 1" holes on all
plates similar to this)

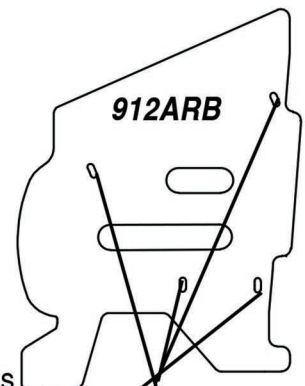
790M2

1" Clamps
8x20mm Button Head Bolts
8mm Flat Washers

790R



1 1/4" Clamps
8 x 20mm Button Head Bolts
8mm Flat Washers



1 1/4" Clamps
8 x 20mm Button Head Bolts
8mm Flat Washers