



# UTV & ATV Armor Kit Installation Tips

Thank for your purchase of this Ricochet Off-Road Armor Kit. All of our kits are custom designed to fit each model and should install hassle free with no additional modifications required. Please carefully read through all included instruction sheets before beginning your install.

The tips described on this sheet are general mounting tips that may or may not apply to your particular model, refer to the attached model specific instructions for a step by step mounting procedure.

If you do encounter a problem during installation please check the FAQ on our website or feel free to contact us by phone or email using the contact info at the bottom of this page.

## **Required Tools:**

(refer to your hardware placement guide for bolt sizes)

## **Button Head TORX Bolts:** (socket bit is highly recommended)

8mm bolts use a T-40 TORX bit

6mm bolts use a T-30 Torx bit

## **Hex Bolts & Nuts:**

10mm bolts uses 17mm

8mm bolts uses 13mm

6mm bolts uses 10mm

1/4"-20 bolts uses 7/16"

## **Drill Bits:**

While we try to avoid drilling whenever possible some models require one or two mounting points to be match drilled. When instructions call for a drilled mounting point use an **11/32"** bit to match drill through the mounting point on the skid plate only after the plate has been fully secured to your machine using the other hardware listed on your hardware guide.

## **Locking Nuts:**

Most sets will include two types of locking nuts. Loose nuts are Nylock, and any nuts welded onto other hardware are pinch-style Stover lock nuts. It is highly recommended that you use a bit of Anti-seize or a drop of oil on the threads of the welded-on pinch style nuts, this will make the bolts go on and come off much easier.

## **Other helpful tips:**

- Before you begin the installation organize all the included hardware according to the hardware placement sheet so you can quickly find the correct bolts and brackets when you need them.
- Install all bolts finger-tight at first until all hardware has been installed, this will give you maximum adjustability.
- When using the cupped washers to secure the plates to factory mounting points do not over torque the bolts because the threads can strip easily. If you do strip one out the simplest way to repair the thread is to use a 1/4"-20 x 5/8" self tapping bolt.
- You may find it easier to remove the rear tires when installing the rear a-arm guards, it's typically very tight and hard to see when the tires are left on.

**Contact us at 1-866-273-1197 or [dh\\_gibbs@comcast.net](mailto:dh_gibbs@comcast.net) with any questions or concerns.**

# Hardware List & Mounting Instructions for P/N 7998F

## Full Frame Skid Plate Set (793T,793M1,793M2,793R)

- 1) #700-07 Nut Plate
- 1) #700-40 Nut Plate
- 2) #700-37 Nut Plates
- 2) 1" Clamps
- 6) 1 1/4" Clamps
- 2) 1 1/2" Clamps (marked with an "A")
- 3) 1 3/4" Clamps (marked with a "B")
- 7) #833 Gold Cupped Washers
- 7) 6 x 16mm Hex Bolts
- 2) 8 x 25mm Hex Bolts
- 2) 8 x 40mm Button Head Bolts
- 4) 8 x 35mm Button Head Bolts
- 4) 8 x 25mm Button Head Bolts
- 11) 8 x 20mm Button Head Bolts
- 23) 8mm Flat Washers
- 4) 8mm HD Flat Washers (larger ones)
- 4) 8mm Nylock Nuts

## Rock Sliders (793FBA,793FBB)

- 4) #700-75 Brackets (2 lefts & 2 rights)
- 4) #833-8 Cupped Washers
- 12) 8 x 25mm Button Head Bolts
- 16) 8mm Flat Washers
- 4) 8mm Nylock Nuts

## Front A-Arm Guards (798AFA,798AFB)

- 6) 1" Clamps
- 6) 8 x 20mm Button Head Bolts
- 6) 8mm Flat Washers

## Rear A-Arm Guards (798ARA,798ARB)

- 2) #826 Clamps
- 2) 8 x 35mm Button Head Bolts
- 6) 8 x 60mm Button Head Bolts
- 14) 8mm Flat Washers
- 6) 8mm Nylock Nuts

## Optional UHMW Layer (793P1,793P2)

- 29) #833 Gold Cupped Washers
- 29) 6 x 16mm Flange Bolts



**#700-75**  
(left & right)



**#833**



**#833-8**  
(larger hole)



**#700-37**



**#700-07**



**#700-40**



**Fig. 1**

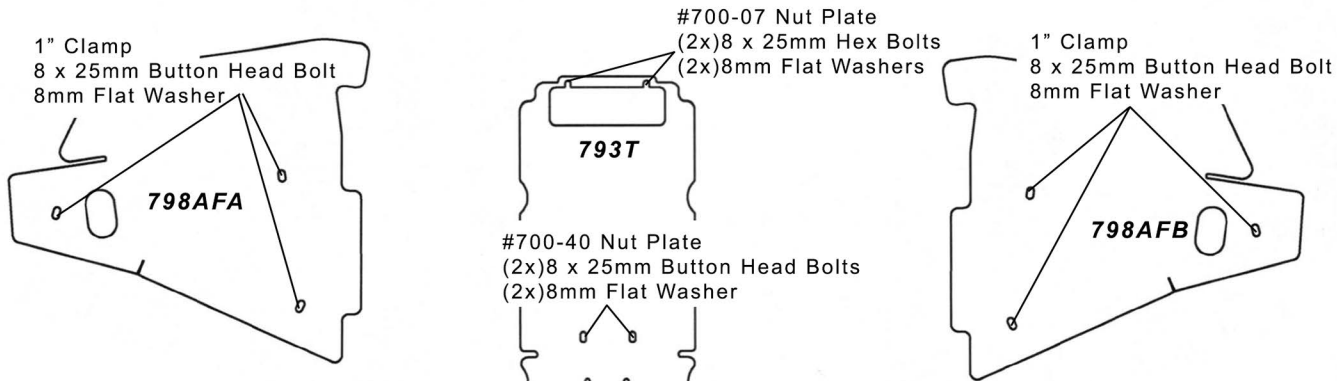


**Fig. 2**

**A hand drill with an 11/32" (3/8" ok) bit is required to install the rock sliders  
The button head bolts require a T-40 TORX bit (socket bit highly recommended)**

1. Remove factory plastic skid plates.
2. Take a moment to review the hardware placement guide, organize all the hardware according to the hardware guide so that everything will be easy to find when you need it.
3. Each clamp or bracket that has a nut welded onto it is a pinch style locking nut, it is recommended that you apply a small amount of anti-seize or other lubricant to the threads of these nuts.
4. The full frame skid plates will need to be installed before the rock sliders, it doesn't matter what order you install them in but you should thread in all the bolts only finger tight at this time so that the plates position can still be adjusted. Once all the plates are installed you can tighten everything down while making sure all the plates are butted solidly against one another.
5. Most of the hardware is fairly self explanatory as to how it attaches to your machine, nut plates are slid behind welded on steel plates, the round clamps wrap around the frame tubes and the cupped washers are used in existing threaded mounting points that the plastic skid plate attached to.  
**There are a couple tricky spots to be aware of.**  
-When mounting the 793M1 piece, begin by loosely attaching the plate with the front cupped washer right in the center, then with the plate hanging install the outer 1 1/4" clamps, passenger side first, as shown on the hardware placement guide.  
-In a couple of spots the clamps will need to be hung on the frame tube before putting the plate into place as shown in fig 1. Access holes are provided so that you can hold the clamp in place as you thread in each button head bolt.  
-The existing threads where you use the cupped washers are fairly weak and will easily strip if you try to torque the hex bolt down to much. If they do strip you can replace the 6 x 16mm bolt with a 1/4"-20 self tapping hex bolt to repair the thread.  
- The larger HD washers that are used on part 793M2 should be used on the nut side where the 8 x 35mm Bolts secure the plate to existing holes on the frame, so the bolt should pass through a standard washer, then the skid plate, then the hole in the frame, then the larger HD washer and secured with a nylock nut.
6. Once the frame skids are fully installed you can install the rock sliders. First mount the #700-75 brackets to the sides of your machine reusing the existing bolt as shown in fig. 2. Be aware that there are lefts and rights so make sure it is oriented as shown in the photo.
7. Now mount the rock sliders to these brackets and install the two #833-8 cupped washers shown on your hardware placement guide. Position the rock slider tight against the plastic and tighten down the bolts in these four locations.
8. Now using an 11/32" bit (3/8" will work) match drill through the other two mounting points on each rock slider and install an 8 x 25mm button head bolt with nylock nut to complete the installation. *See hardware placement guide*
9. Now install the front a-arm guards with the 1" clamps wrapped around the a-arm tube. After these are fully installed turn the tire to full lock in both directions to make sure there are no interferences with the CV boot. If there is, loosen the clamps and adjust the guards position accordingly.
10. Finally, install the rear a-arm guards by loosely securing the guard to the a-arm using the 8 x 60mm button head bolts fed through existing holes in the a-arm and secured with a nylock nut. There is also one clamp that will hang over the a-arm tube at the location with the spacer welded on. After all hardware is installed you can tighten everything down. While it is possible to install these guards with tires on it is quite a bit easier with them removed.
11. If you have purchased the UHMW layer install this using the cupped washers and 6 x 16mm Flange bolts threaded into each one of the nut inserts on your skid plates.

# Clamp & Hardware Placement Guide for P/N 7998F



*(Match drill only after center hardware is fully installed, see instruction step 8)*

8 x 25mm Button Head Bolt  
(2x) 8mm Flat Washer  
8mm Nylock Nut

*(Match drill only after center hardware is fully installed, see instruction step 8)*

8 x 25mm Button Head Bolt  
(2x) 8mm Flat Washer  
8mm Nylock Nut

#833-8 Cupped Washer (larger hole)  
8 x 16mm Button Head Bolt

#700-75L Bracket  
8 x 25mm Button Head Bolt  
8mm Flat Washer

**793FBA**

*(Match drill only after center hardware is fully installed, see instruction step 8)*

8 x 25mm Button Head Bolt  
(2x) 8mm Flat Washer  
8mm Nylock Nut

#826 Clamp  
8 x 35mm Button Head Bolt  
8mm Flat Washer

8 x 60mm Button Head Bolt  
(2x) 8mm Flat Washer  
8mm Nylock Nut

**798ARA**

1" Clamp  
8 x 25mm Button Head Bolt  
8mm Flat Washer

**793M1**

**Install 1st**  
#833 Cupped Washer  
6mm Flange Bolt

1 1/4" Clamp  
8 x 20mm Button Head Bolt  
8mm Flat Washer

**Install 2nd**

#833 Cupped Washer  
6mm Flange Bolt

1 3/4" ("B") Clamp  
8 x 20mm Button Head Bolt  
8mm Flat Washer

8 x 35mm Button Head Bolt  
8mm Flat Washer  
8mm HD Flat Washer  
8mm Nylock Nut  
(see instruction step 5)

#833 Cupped Washer  
6mm Flange Bolt

**793M2**

8 x 35mm Button Head Bolt  
8mm Flat Washer  
8mm HD Flat Washer  
8mm Nylock Nut  
(see instruction step 5)

*(Match drill only after center hardware is fully installed, see instruction step 8)*

8 x 25mm Button Head Bolt  
(2x) 8mm Flat Washer  
8mm Nylock Nut

#700-75R Bracket  
8 x 25mm Button Head Bolt  
8mm Flat Washer

**793FBB**

*(Match drill only after center hardware is fully installed, see instruction step 8)*

8 x 25mm Button Head Bolt  
(2x) 8mm Flat Washer  
8mm Nylock Nut

#826 Clamp  
8 x 35mm Button Head Bolt  
8mm Flat Washer

8 x 60mm Button Head Bolt  
(2x) 8mm Flat Washer  
8mm Nylock Nut

**798ARB**

#700-37 Nut Plate  
8 x 40mm Button Head Bolt  
8mm Flat Washer

## UHMW LAYER ADD-ON (optional)

29) #833 Cupped Washers

29) 6mm Flange Bolts

\*Attach to threaded inserts in skid plate