



UTV & ATV Armor Kit Installation Tips

Thank for your purchase of this Ricochet Off-Road Armor Kit. All of our kits are custom designed to fit each model and should install hassle free with no additional modifications required. Please carefully read through all included instruction sheets before beginning your install.

The tips described on this sheet are general mounting tips that may or may not apply to your particular model, refer to the attached model specific instructions for a step by step mounting procedure.

If you do encounter a problem during installation please check the FAQ on our website or feel free to contact us by phone or email using the contact info at the bottom of this page.

Required Tools:

(refer to your hardware placement guide for bolt sizes)

Button Head TORX Bolts: (socket bit is highly recommended)

8mm bolts use a T-40 TORX bit

6mm bolts use a T-30 Torx bit

Hex Bolts & Nuts:

10mm bolts uses 17mm

8mm bolts uses 13mm

6mm bolts uses 10mm

1/4"-20 bolts uses 7/16"

Drill Bits:

While we try to avoid drilling whenever possible some models require one or two mounting points to be match drilled. When instructions call for a drilled mounting point use an **11/32"** bit to match drill through the mounting point on the skid plate only after the plate has been fully secured to your machine using the other hardware listed on your hardware guide.

Locking Nuts:

Most sets will include two types of locking nuts. Loose nuts are Nylock, and any nuts welded onto other hardware are pinch-style Stover lock nuts. It is highly recommended that you use a bit of Anti-seize or a drop of oil on the threads of the welded-on pinch style nuts, this will make the bolts go on and come off much easier.

Other helpful tips:

- Before you begin the installation organize all the included hardware according to the hardware placement sheet so you can quickly find the correct bolts and brackets when you need them.
- Install all bolts finger-tight at first until all hardware has been installed, this will give you maximum adjustability.
- When using the cupped washers to secure the plates to factory mounting points do not over torque the bolts because the threads can strip easily. If you do strip one out the simplest way to repair the thread is to use a 1/4"-20 x 5/8" self tapping bolt.
- You may find it easier to remove the rear tires when installing the rear a-arm guards, it's typically very tight and hard to see when the tires are left on.

Contact us at 1-866-273-1197 or dh_gibbs@comcast.net with any questions or concerns.

Hardware List for Part Number 7909/F

Bash Plate (P/N 760T)

- 5) 8 x 25mm Button Head Bolts
- 5) 8mm Flat Washers
- 4) #700-06 Nut Plates
- 1) #700-59 Nut Plate

Center Skid Plate (P/N 789M)

- 9) 1/4-20 X 3/4 Hex Bolts
- 9) 1/4" Lock Washers
- 9) #833 Cupped Washer

Rear Skid Plate (P/N 789R)

- 4) 8 x 25mm Button Head Bolts
- 4) 8mm Flat Washers
- 4) #700-06 Nut Plates
- 2) #833 Cupped Washer
- 2) 1/4"-20 X 3/4" Hex Bolts
- 2) 1/4" Lock Washers

Floorboard Skids (P/N 909FBA & 909FBB)

- 4) 8 x 25mm Button Head Bolts
- 4) 8 x 35mm Button Head Bolts
- 8) 8mm Flat Washers
- 4) #700-36 Nut Plates
- 4) #700-76 Nut Plates

Front A-Arm Guards

- (P/N 753AFA & 753AFB)
- 6) 1" Clamps
- 6) 8 x 20mm Button Head Bolts
- 6) 8mm Flat Washers

Rear A-Arm Guards

- (P/N 755ARA & 755ARB)
- 8) #826 Clamps
- 8) 8 x 20mm Button Head Bolts
- 8) 8mm Flat washers

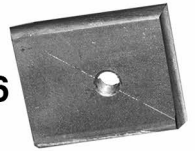
700-06



700-76



700-36



700-59



Mouting Tips

-Begin by removing all factory plastic skid plates.

-Apply a drop of oil or anti-seize compound to the threads of each of the locking nuts welded on to the clamps and nut plates.

-Organize all your hardware according to your hardware placement guide so that it's easy to find when you need it.

-Now install the 3 center skid plates using the hardware listed on your hardware placement guide, leave everything loose at first until all the bolts are threaded into place. Then you may tighten everything down keeping the plates butted up against one another to create smooth transitions between the plates

-When installing floorboard skids you will need to slide the mounting brackets into the bracing bars as shown in the figures below. Fig. 1 shows the #700-36 nut plate which should be positioned inside the bracing bar first. Hold the skid plate in place to make sure the threaded hole is lining up with the slot on the skid.

-Next slide the #700-76 nut plate into place as shown in fig. 2. Now put the skid plate into place and thread in a button head bolt into the #700-76 nut plates using the access hole to help keep the nut plate in place as you get the bolt started as shown in fig 3.

- Now finish your rock slider install by threading in button head bolts into the #700-36 nut plates and tighten everything down.

- Now you can install your A-arm guards by holding the guard into place while you loosely secure each required piece of hardware as shown on your hardware placement guide.

-Once all the hardware is in place go ahead and tighten every thing down. Be sure to turn your wheels full lock in both directions checking for any interferences. If there is an interference, loosen the bolts and reposition your guard accordingly.

Fig 1



Fig 2

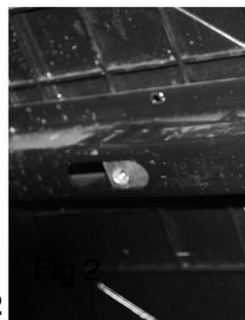
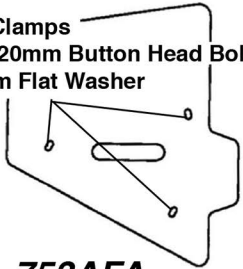


Fig 3



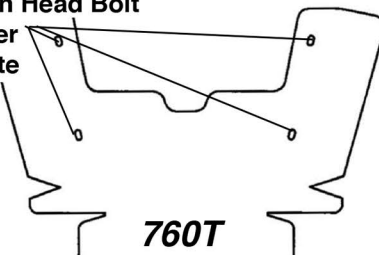
Clamp & Hardware Placement Guide for P/N 7909/F

1" Clamps
8 x 20mm Button Head Bolt
8mm Flat Washer



753AFA

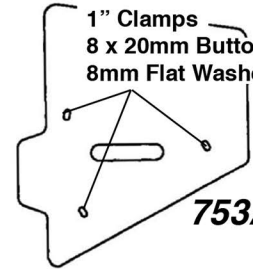
8 x 25mm Button Head Bolt
8mm Flat Washer
#700-06 Nut Plate



760T

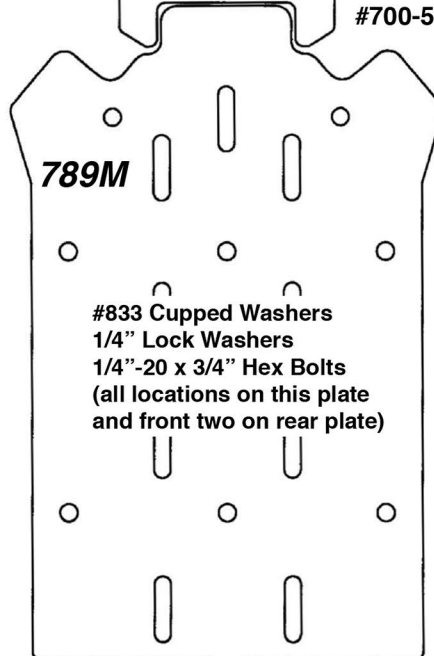
Install this plate 1st

1" Clamps
8 x 20mm Button Head Bolt
8mm Flat Washer



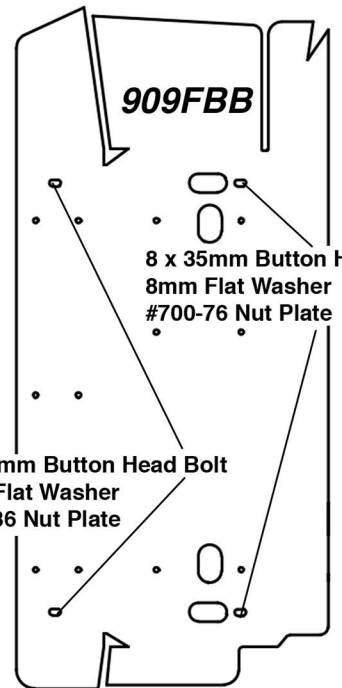
753AFB

8 x 25mm Button Head
8mm Flat Washer
#700-59 Nut Plate



789M

#833 Cupped Washers
1/4" Lock Washers
1/4"-20 x 3/4" Hex Bolts
(all locations on this plate
and front two on rear plate)

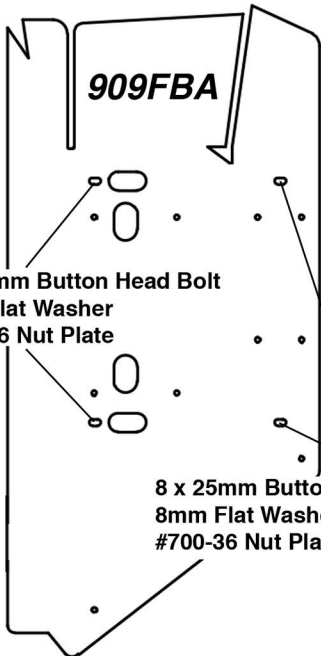


909FBB

8 x 35mm Button Head Bolt
8mm Flat Washer
#700-76 Nut Plate

8 x 25mm Button Head Bolt
8mm Flat Washer
#700-36 Nut Plate

8 x 35mm Button Head Bolt
8mm Flat Washer
#700-76 Nut Plate

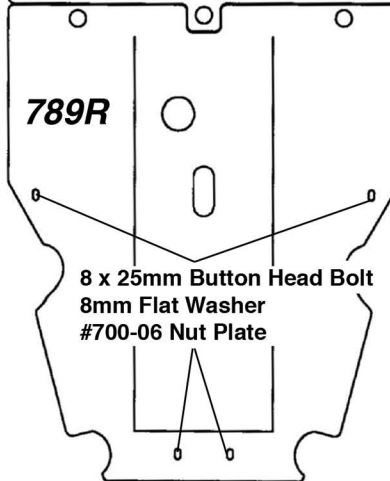


909FBA

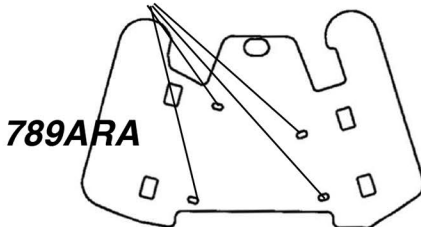
8 x 25mm Button Head Bolt
8mm Flat Washer
#700-36 Nut Plate

789R

8 x 25mm Button Head Bolt
8mm Flat Washer
#700-06 Nut Plate

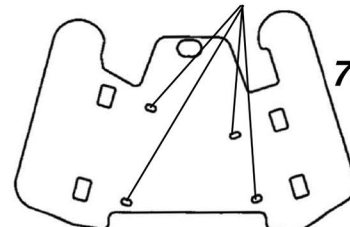


#826 Clamp
8 x 20mm Button Head Bolt
8mm Flat Washer



789ARA

#826 Clamp
8 x 20mm Button Head Bolt
8mm Flat Washer



789ARB