



UTV & ATV Armor Kit Installation Tips

Thank for your purchase of this Ricochet Off-Road Armor Kit. All of our kits are custom designed to fit each model and should install hassle free with no additional modifications required. Please carefully read through all included instruction sheets before beginning your install.

The tips described on this sheet are general mounting tips that may or may not apply to your particular model, refer to the attached model specific instructions for a step by step mounting procedure.

If you do encounter a problem during installation please check the FAQ on our website or feel free to contact us by phone or email using the contact info at the bottom of this page.

Required Tools:

(refer to your hardware placement guide for bolt sizes)

Button Head TORX Bolts: (socket bit is highly recommended)

8mm bolts use a T-40 TORX bit

6mm bolts use a T-30 Torx bit

Hex Bolts & Nuts:

10mm bolts uses 17mm

8mm bolts uses 13mm

6mm bolts uses 10mm

1/4"-20 bolts uses 7/16"

Drill Bits:

While we try to avoid drilling whenever possible some models require one or two mounting points to be match drilled. When instructions call for a drilled mounting point use an **11/32"** bit to match drill through the mounting point on the skid plate only after the plate has been fully secured to your machine using the other hardware listed on your hardware guide.

Locking Nuts:

Most sets will include two types of locking nuts. Loose nuts are Nylock, and any nuts welded onto other hardware are pinch-style Stover lock nuts. It is highly recommended that you use a bit of Anti-seize or a drop of oil on the threads of the welded-on pinch style nuts, this will make the bolts go on and come off much easier.

Other helpful tips:

- Before you begin the installation organize all the included hardware according to the hardware placement sheet so you can quickly find the correct bolts and brackets when you need them.
- Install all bolts finger-tight at first until all hardware has been installed, this will give you maximum adjustability.
- When using the cupped washers to secure the plates to factory mounting points do not over torque the bolts because the threads can strip easily. If you do strip one out the simplest way to repair the thread is to use a 1/4"-20 x 5/8" self tapping bolt.
- You may find it easier to remove the rear tires when installing the rear a-arm guards, it's typically very tight and hard to see when the tires are left on.

Contact us at 1-866-273-1197 or dh_gibbs@comcast.net with any questions or concerns.

Hardware List & Mounting Instructions for P/N 7887F

P/N 787 (787T, 787M, 787M2, 787R)

- 4) 6 x 20mm Hex Bolts
- 2) 6 x 25mm Hex Bolts
- 20) 6 x 30mm Hex Bolts
- 5) 8 x 20mm Button Head Bolts
- 2) 8 x 25mm Button Head Bolts
- 2) 1 1/4" Clamps
- 2) 1/4 x 1" Self Tapping Hex Bolts
- 2) 1 1/2" Clamps (marked with a "A")
- 1) 1 3/8" Clamp
- 26) #833 Cupped Washers
- 9) 8mm Flat Washers
- 2) #700-06 Nut Plates
- 12) #700-94 (1/2") Spacers
- 8) #700-93 (5/16") Spacers



#700-06



#700-92



#700-94



#700-93



#700-827



#833

Fig 1.

P/N 787FB (787FBFA, 787FBFB, 787FBRA, 787FBRB)

- 2) 6 x 30mm Hex Bolts
- 16) 8 x 30mm Button Head Bolts
- 16) 8mm Flat Washers
- 2) #833 Cupped Washers
- 8) #700-92 Nut Plates

P/N 787A (787AFA, 787AFB, 771ARA, 771ARB)

- 16) 8 x 20mm Button Head Bolts
- 16) 8mm Flat Washers
- 16) 1 1/8" Clamps



UHMW Add-On (787P1, 787P2, 787P3)

- 43) #833 Cupped Washers
- 2) #833-8 Cupped Washers
- 41) 6mm Hex Flange Bolts
- 2) 6 x 25mm Hex Bolts
- 2) 8 x 25mm Hex Bolts
- 2) #700-827 (3/16" Spacer)

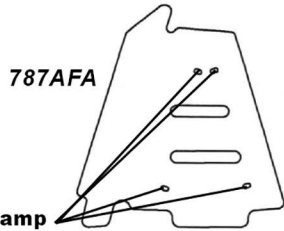
Fig 2.



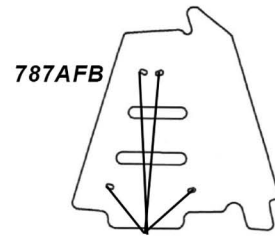
Mounting Instructions

1. Remove all factory plastic skid plates.
2. Refer to the hardware placement guide and organize all the included hardware combining each bolt with its corresponding hardware pieces. Prepare each hex bolt that uses a cupped washer and spacer as shown in Fig 1. It's highly recommended that you apply a small amount of oil or anti-seize to each locking nut that is welded onto a clamp. This will make them easier to torque down and make it easier to remove later on.
3. Mount the main center skid plates first (787M&M2) using the hardware shown on your hardware placement guide. Leave all the bolts loose for now so that plates position can be adjusted.
4. Now mount the front skid plate (787T) overlapping the two top mounting points of the center skid using the hardware shown on your hardware placement guide. Again leave everything loose at this time.
5. Now you may mount the rear skid (787R) and begin tightening all the bolts on each skid you have previously mounted making sure each plate butts up against each adjacent plate to create smooth transitions. Do not over torque the 6mm bolts that are threaded into factory mounting points.
6. Now feed the #700-92 nut plates into the crossmembers on the outside of the main frame as shown in fig 2. Using the access hole on the rock slider skid plates, position the nut plate so it aligns with the mounting points on the skid plate and feed an 8 x 30mm bolt into each nut. Finish the installation using a cupped washer and 6mm bolt in the front mounting point of each rock slider plate.
7. Now install your front and rear a-arm guards using the 1 1/8" clamps wrapped around the a-arm frame tube. Keep everything loose until all the clamps are installed. Finally tighten down the clamps making sure the guards position is clear of any interferences.

Clamp & Hardware Placement Guide for P/N 7887F



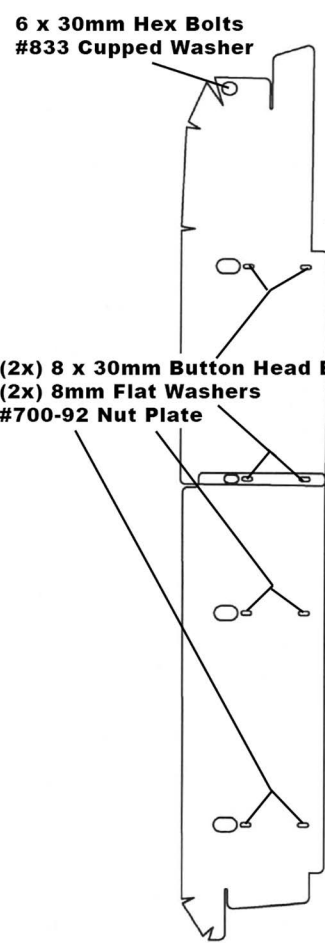
787AFA
 1 1/8" Clamp
 8 x 20mm Button Head Bolt
 8mm Flat Washer



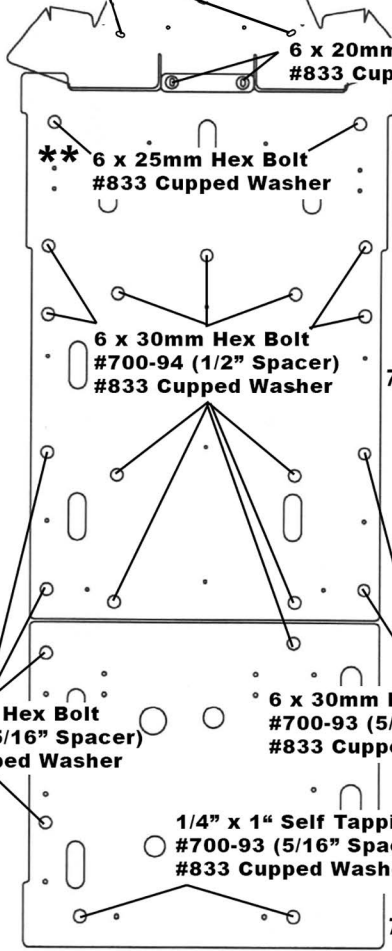
787AFB
 1 1/8" Clamp
 8 x 20mm Button Head Bolt
 8mm Flat Washer



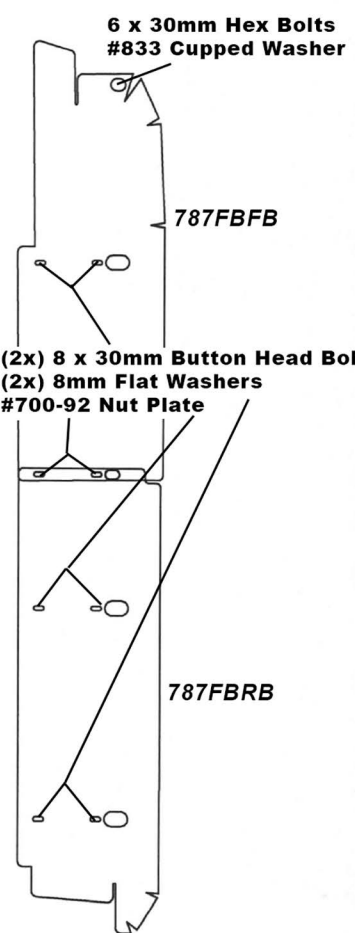
787T
 1 3/8" Clamp
 8 x 20mm Button Head Bolt
 8mm Flat Washer
 * 1 1/4" Clamp
 8 x 20mm Button Head Bolt
 8mm Flat Washer



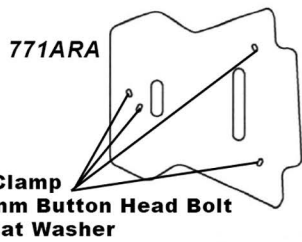
787FBFA
 6 x 30mm Hex Bolts
 #833 Cupped Washer
 (2x) 8 x 30mm Button Head Bolts
 (2x) 8mm Flat Washers
 #700-92 Nut Plate
 787FBRA
 6 x 30mm Hex Bolt
 #700-93 (5/16" Spacer)
 #833 Cupped Washer



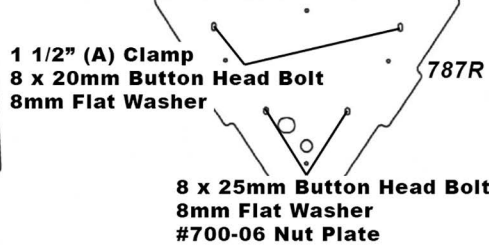
787M
 6 x 20mm Hex Bolt
 #833 Cupped Washer
 ** 6 x 25mm Hex Bolt
 #833 Cupped Washer
 6 x 30mm Hex Bolt
 #700-94 (1/2" Spacer)
 #833 Cupped Washer
 6 x 30mm Hex Bolt
 #700-93 (5/16" Spacer)
 #833 Cupped Washer
 1/4" x 1" Self Tapping Hex Bolt
 #700-93 (5/16" Spacer)
 #833 Cupped Washer
 787M2



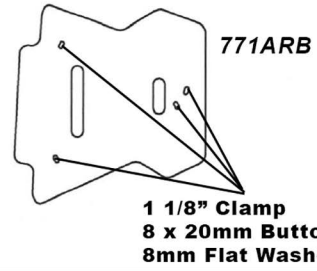
787FBFB
 6 x 30mm Hex Bolts
 #833 Cupped Washer
 (2x) 8 x 30mm Button Head Bolts
 (2x) 8mm Flat Washers
 #700-92 Nut Plate
 787FBRB
 6 x 30mm Hex Bolt
 #700-93 (5/16" Spacer)
 #833 Cupped Washer



771ARA
 1 1/8" Clamp
 8 x 20mm Button Head Bolt
 8mm Flat Washer



787R
 1 1/2" (A) Clamp
 8 x 20mm Button Head Bolt
 8mm Flat Washer
 8 x 25mm Button Head Bolt
 8mm Flat Washer
 #700-06 Nut Plate



771ARB
 1 1/8" Clamp
 8 x 20mm Button Head Bolt
 8mm Flat Washer

UHMW Add-On

- 41) #833 Cupped Washers
- 41) 6mm Hex Flange Bolts
- **2) #833 Cupped Washer
- **2) 6 x 25mm Hex Bolts
- **2) #700-827 (3/16") Spacer
- * 2) #833-8 Cupped Washers
- * 2) 8 x 25mm Hex Bolts

* To install the overlay at this location do not attach the 1 1/4" clamps when you install the aluminum skids. Attach the overlay by feeding an 8x25mm hex bolt through the plastic and aluminum and fasten to the 1 1/4" clamps.

** These locations also require a 6mm bolt threaded through both the UHMW and Aluminum/ Use the 3/16" spacer to fill the 1" hole in the aluminum skid and mount with a 6 x 25mm Hex Bolt and a #833 Cupped Washer