



UTV & ATV Armor Kit Installation Tips

Thank for your purchase of this Ricochet Off-Road Armor Kit. All of our kits are custom designed to fit each model and should install hassle free with no additional modifications required. Please carefully read through all included instruction sheets before beginning your install.

The tips described on this sheet are general mounting tips that may or may not apply to your particular model, refer to the attached model specific instructions for a step by step mounting procedure.

If you do encounter a problem during installation please check the FAQ on our website or feel free to contact us by phone or email using the contact info at the bottom of this page.

Required Tools:

(refer to your hardware placement guide for bolt sizes)

Button Head TORX Bolts: (socket bit is highly recommended)

8mm bolts use a T-40 TORX bit

6mm bolts use a T-30 Torx bit

Hex Bolts & Nuts:

10mm bolts uses 17mm

8mm bolts uses 13mm

6mm bolts uses 10mm

1/4"-20 bolts uses 7/16"

Drill Bits:

While we try to avoid drilling whenever possible some models require one or two mounting points to be match drilled. When instructions call for a drilled mounting point use an **11/32"** bit to match drill through the mounting point on the skid plate only after the plate has been fully secured to your machine using the other hardware listed on your hardware guide.

Locking Nuts:

Most sets will include two types of locking nuts. Loose nuts are Nylock, and any nuts welded onto other hardware are pinch-style Stover lock nuts. It is highly recommended that you use a bit of Anti-seize or a drop of oil on the threads of the welded-on pinch style nuts, this will make the bolts go on and come off much easier.

Other helpful tips:

- Before you begin the installation organize all the included hardware according to the hardware placement sheet so you can quickly find the correct bolts and brackets when you need them.
- Install all bolts finger-tight at first until all hardware has been installed, this will give you maximum adjustability.
- When using the cupped washers to secure the plates to factory mounting points do not over torque the bolts because the threads can strip easily. If you do strip one out the simplest way to repair the thread is to use a 1/4"-20 x 5/8" self tapping bolt.
- You may find it easier to remove the rear tires when installing the rear a-arm guards, it's typically very tight and hard to see when the tires are left on.

Contact us at 1-866-273-1197 or dh_gibbs@comcast.net with any questions or concerns.

Hardware List and Mounting Instructions for P/N 759-U, 759FB-U, & 759FB-P

note: The included hardware depends on which pieces you are installing. If you are installing the center skids only refer to the 1st column, if you are installing the center skids with full 1/2" UHMW floorboard skids refer to the 2nd column and if you are installing the center skids with the aluminum & 1/4" UHMW overlay floorboard skids refer to the 3rd column.

Hardware list for p/n 759U (center skids only)

22) #840 Cupped Washers
2) #832 Cupped Washers
22) 6x16mm Flange Bolts
2) 6x25mm Hex Bolts
2) 8x40mm Hex Bolts
2) 8mm HD Flat Washers
2) 6mm Lock Washers
2) #700-59 Nut Bar
2) #700-17 Spacers (3/8")
2) #700-99 Spacers (1/4")

Hardware list for p/n 759U & 759FB-U (Full 1/2" UHMW Set)

34) #840 Cupped Washers
34) 6x16mm Flange Bolts
2) 8x40mm Hex Bolts
8) 8x30mm Hex Bolts
10) 8mm HD Flat Washers
8) #700-59 Nut Bar
2) 1 3/4" (B) Round Clamp
2) #700-17 Spacers (3/8")

Hardware list for p/n 759U & 759FB-P (center skids & aluminum floorboard skids with 1/4" UHMW overlay)

22) #840 Cupped Washers
2) #832 Cupped Washers (silver)
24) #833 Cupped Washers (gold)
46) 6x16mm Flange Bolts
2) 6x25mm Hex Bolts
2) 8x40mm Hex Bolts
4) 8x35mm Hex Bolts
2) 8mm HD Flat Washers
2) 6mm Lock Washers
4) #700-59 Nut Bar
2) #700-17 Spacers (3/8")
1) #759FB1R aluminum edge piece
1) #759RB1L aluminum edge piece

Installation Instructions

1. Begin by removing all factory plastic skid plates.
2. Apply a drop of oil or anti-seize compound to the threads of each of the locking nuts welded on to the clamps and nut bars.
3. Organize all your hardware according to your hardware placement guide so that it's easy to find when you need it.
4. Now install the 3 center skid plates using the hardware listed on your hardware placement guide. Leave the bolts loose for now so that the plates position can still be adjusted slightly. If installing floorboard skids do not install the mounts marked **overlap point** on your hardware placement guide and skip to step #6.
5. If you are **not** installing floorboard skids you can go ahead and tighten everything down now making sure the plates are interlocking to create a seamless transition between them.
6. If you are installing floorboard skids begin by sliding the mounting hole marked **overlap point** underneath the corresponding point on the center skids and install using the correct hardware as noted on your hardware guide.
7. Now install the rest of the hardware still keeping everything loose for now.
8. If you are installing the **full 1/2" UHMW** version there is one point that needs to be drilled. Don't worry about this spot yet, just install all the other hardware.
9. If you are installing the **aluminum floorboard** skid leave the two outer mounting points open that are designated for the aluminum edge piece as noted on your hardware guide.
10. Once all the other hardware has been installed go ahead and start tightening everything down making sure the plates are interlocking to create a seamless transition between them.
11. For aluminum floorboards skip to step 12. Once all hardware is securely fastened and the plates are positioned to your liking use an 11/32" bit (3/8" will work) and match drill through the remaining mounting point. Finish the installation by securing these points with a nut bar and 8x35mm hex bolt.
12. For **aluminum floorboard skids** no drilling is required, once all the hardware is securely fastened mount the UHMW overlay to the threaded inserts that are set into the aluminum plates.
13. Finally to keep the overlay from drooping install the aluminum edge pieces using an 8x35mm hex bolt threaded through the two outer mounting points on the floorboard skid and secure on the top side with a nut bar.

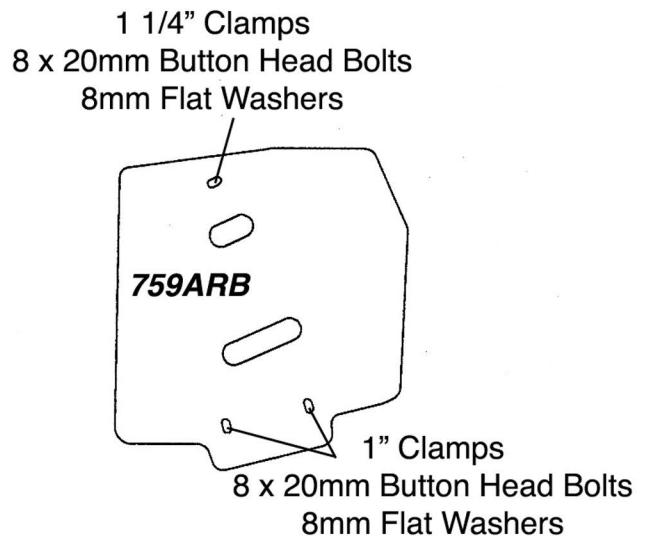
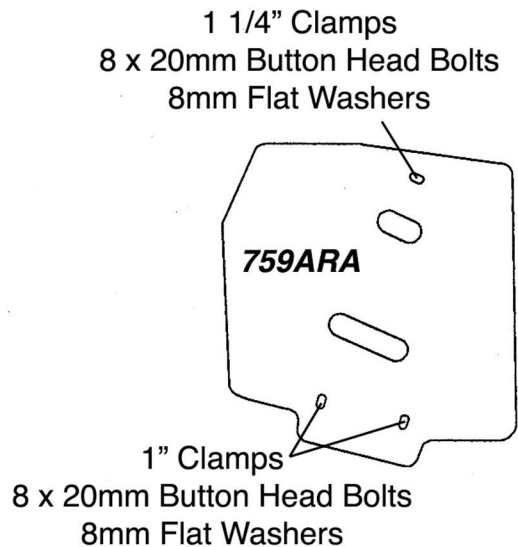
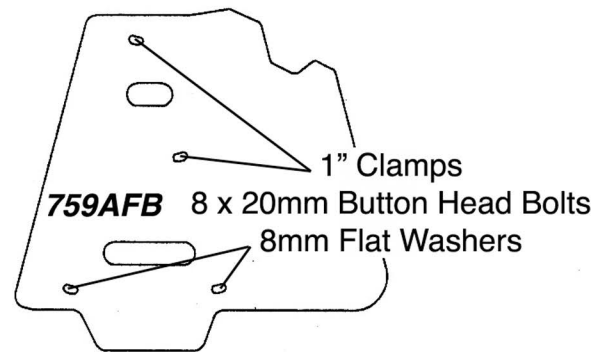
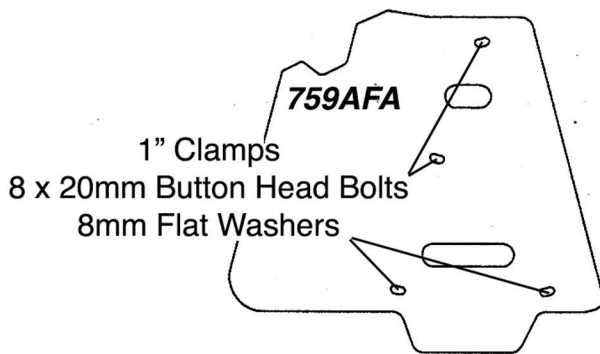
Hardware List and Clamp Placement Guide for Part Number 759A

Front A-Arm Guards (P/N 759AFA, 759AFB):

- 8) 1" Clamps
- 8) 8 x 20mm Button Head Bolts
- 8) 8mm Flat Washers

Rear A-Arm Guards (P/N 759ARA, 759ARB):

- 4) 1" Clamps
- 2) 1 1/4" Clamps
- 6) 8 x 20mm Button Head Bolts
- 6) 8mm Flat Washers



Clamp & Hardware Placement for Part Number 759-U, 759-FBU & 759FBP

