



UTV & ATV Armor Kit Installation Tips

Thank for your purchase of this Ricochet Off-Road Armor Kit. All of our kits are custom designed to fit each model and should install hassle free with no additional modifications required. Please carefully read through all included instruction sheets before beginning your install.

The tips described on this sheet are general mounting tips that may or may not apply to your particular model, refer to the attached model specific instructions for a step by step mounting procedure.

If you do encounter a problem during installation please check the FAQ on our website or feel free to contact us by phone or email using the contact info at the bottom of this page.

Required Tools:

(refer to your hardware placement guide for bolt sizes)

Button Head TORX Bolts: (socket bit is highly recommended)

8mm bolts use a T-40 TORX bit

6mm bolts use a T-30 Torx bit

Hex Bolts & Nuts:

10mm bolts uses 17mm

8mm bolts uses 13mm

6mm bolts uses 10mm

1/4"-20 bolts uses 7/16"

Drill Bits:

While we try to avoid drilling whenever possible some models require one or two mounting points to be match drilled. When instructions call for a drilled mounting point use an **11/32"** bit to match drill through the mounting point on the skid plate only after the plate has been fully secured to your machine using the other hardware listed on your hardware guide.

Locking Nuts:

Most sets will include two types of locking nuts. Loose nuts are Nylock, and any nuts welded onto other hardware are pinch-style Stover lock nuts. It is highly recommended that you use a bit of Anti-seize or a drop of oil on the threads of the welded-on pinch style nuts, this will make the bolts go on and come off much easier.

Other helpful tips:

- Before you begin the installation organize all the included hardware according to the hardware placement sheet so you can quickly find the correct bolts and brackets when you need them.
- Install all bolts finger-tight at first until all hardware has been installed, this will give you maximum adjustability.
- When using the cupped washers to secure the plates to factory mounting points do not over torque the bolts because the threads can strip easily. If you do strip one out the simplest way to repair the thread is to use a 1/4"-20 x 5/8" self tapping bolt.
- You may find it easier to remove the rear tires when installing the rear a-arm guards, it's typically very tight and hard to see when the tires are left on.

Contact us at 1-866-273-1197 or dh_gibbs@comcast.net with any questions or concerns.

Arctic Cat Hardware List & Mounting Instructions

P/Ns 7225MF-L & 7225TCF-L

Hardware List

Frame Skids: (725T, 725...M)

- 2) 6 x 20mm Flat Head Bolts
- 10) 6 x 16mm Hex Flange Bolts
- 10) Gold Cupped Washers

Front A-Arm Guards: (725AF..)

- 8) 3/4" Clamps
- 8) 8 x 20mm Button Head Bolts
- 8) 8mm Flat Washers

Rear A-Arm Guards: (725AR..)

- 8) 1" Clamps
- 8) 8 x 20mm Button Head Bolts
- 8) 8mm Flat Washers

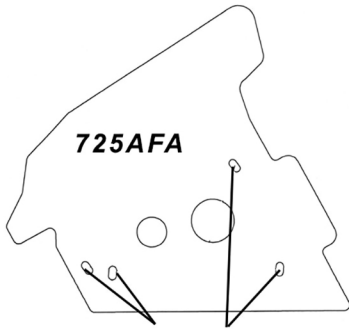
Floor Board Skids: (725FB..)

- 4) #700-06 Nut Plates
- 4) 3/4" Clamps
- 4) 8 x 20mm Button Head Bolts
- 4) 8 x 30mm Button Head Bolts
- 8) 8mm Flat Washers



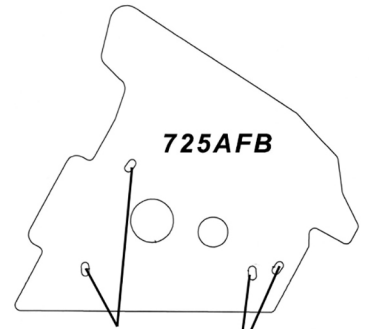
1. Begin by removing stock plastic guards except bumper guard
2. It is highly recommended that you use anti-sieze or a drop of oil on the threads of each nut welded onto a bracket or clamp.
3. Begin by installing main skid using 6 x 16mm hex flange bolts and the gold cupped washers installed into the same mounting points that the stock skid plate used. Make sure front 2 mounting slots line up with threaded holes.
*Because of differences between models some of the 1" holes used to mount the cupped washers will not be used.
4. Mount front bash plate using 6mm hex flange bolts and cupped washers in the front & 6 x 20mm flat head bolts in the rear countersunk holes
5. Now install floorboard skids and A-Arm guards using the hardware shown on your hardware placement guide.

Hardware Placement Guide for P/N 7225M-L-F



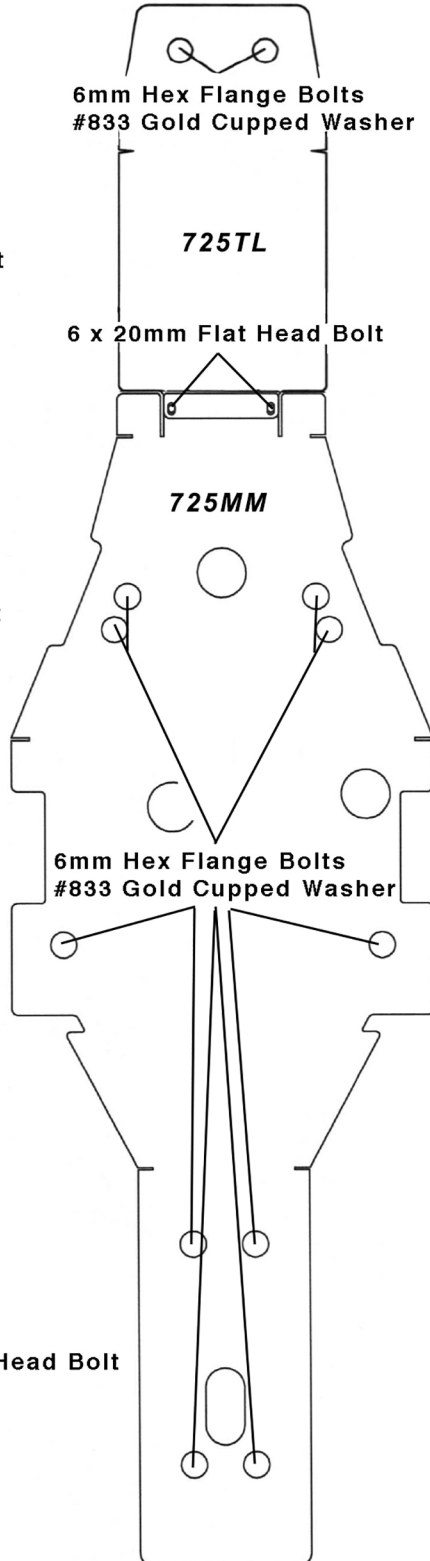
725AFA

3/4" Clamps
8 x 20mm Button Head Bolt
8mm Flat Washer



725AFB

3/4" Clamps
8 x 20mm Button Head Bolt
8mm Flat Washer



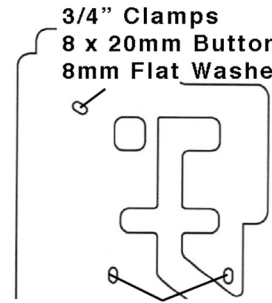
6mm Hex Flange Bolts
#833 Gold Cupped Washer

725TL

6 x 20mm Flat Head Bolt

725MM

6mm Hex Flange Bolts
#833 Gold Cupped Washer



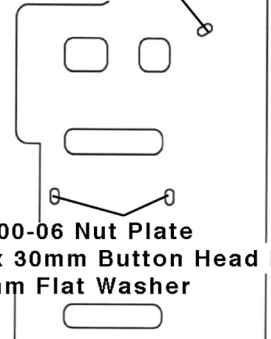
3/4" Clamps
8 x 20mm Button Head Bolt
8mm Flat Washer

#700-06 Nut Plate
8 x 30mm Button Head Bolt
8mm Flat Washer

725FBB

3/4" Clamp
8 x 20mm Button Head Bolt
8mm Flat Washer

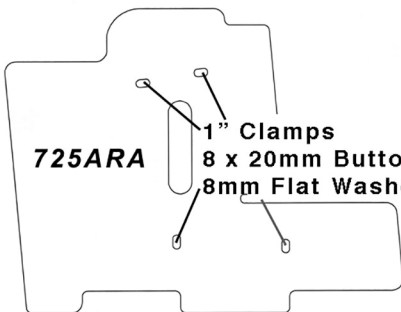
3/4" Clamps
8 x 20mm Button Head Bolt
8mm Flat Washer



#700-06 Nut Plate
8 x 30mm Button Head Bolt
8mm Flat Washer

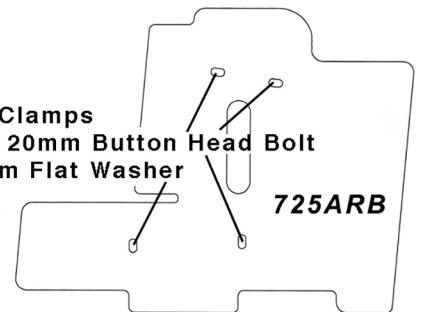
725FBA

3/4" Clamp
8 x 20mm Button Head Bolt
8mm Flat Washer



725ARA

1" Clamps
8 x 20mm Button Head Bolt
8mm Flat Washer



725ARB

1" Clamps
8 x 20mm Button Head Bolt
8mm Flat Washer