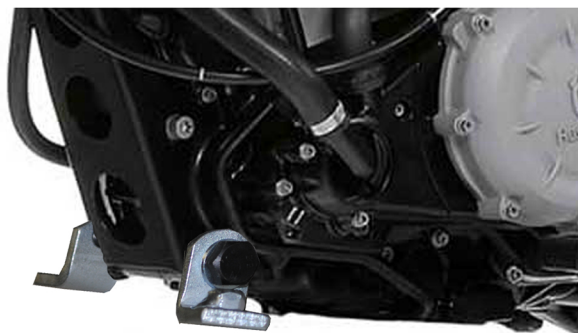


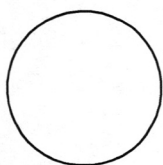
## Clamp & Hardware Placement for P/N 495



10 x 120mm Hex Bolt  
(2x)10mm Flat Washer  
10mm Nylock Nut  
(2x)#700-04 L-Bracket  
(2x)8x25mm Button Head Bolt  
(2x)8mm Flat Washer



**Remove front lower motor mounting bolt and replace with supplied 10 x 120mm bolt, #700-04 brackets, and 10mm Nylock nut as shown above. Hold the skid plate up to the bike and make sure brackets are rotated so they sit flat against the skid plate before tightening them down.**



1 3/8" Clamps  
8x20mm Button Head Bolt  
8mm Flat Washer

