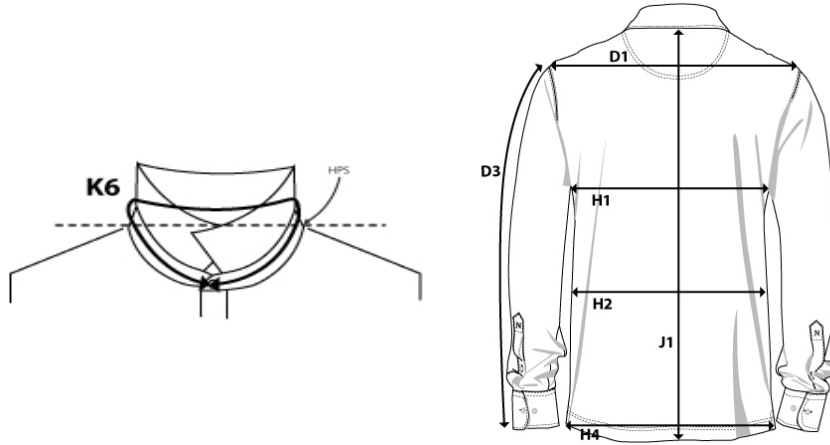
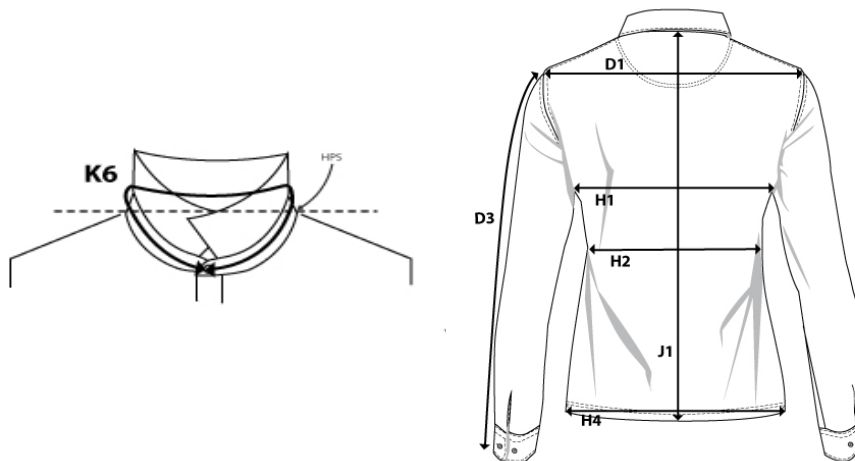


PRODUCT MEASUREMENT
SIZE AND FIT: KINGSTON



KINGSTON Mens

Base size: M / Measurement (in cm)	Diagram	S	M	L	XL	XXL	3XL
SHOULDER TO SHOULDER	D1	42	43,5	45	46,5	48	49,5
SLEEVE LENGTH - from shoulder seam	D3	65	66	67	68	69	70
CHEST WIDTH at armhole	H1	49	52	55	58	61	64
WAIST	H2	47	50	53	56	59	62
BOTTOM WIDTH	H4	49	52	55	58	61	64
FULL LENGTH at centre back	J1	68	70	72	74	76	78
NECKLINE CF to CF	K6	38	40	42	44	46	48



KINGSTON Ladies

Base size: M / Measurement (in cm)	Diagram	XS	S	M	L	XL	XXL	3XL
SHOULDER TO SHOULDER	D1	34	35	36	37	38	39	40
SLEEVE LENGTH - from shoulder seam	D3	60	61	62	63	64	65	66
CHEST WIDTH at armhole	H1	43	46	49	52	55	59	63
WAIST	H2	40	43	46	49	52	57	61
BOTTOM WIDTH	H4	43	46	49	52	55	59	63
FULL LENGTH at centre back	J1	62	64	66	68	70	72	74
NECKLINE CF TO CF	K6	36	37	38	39	40	41	42



SIZE GUIDE

LADIES

CM

	EN / UK / US XS / 8 / 4	EN / UK / US S / 10 / 6	EN / UK / US M / 12 / 8	EN / UK / US L / 14 / 10	EN / UK / US XL / 16 / 12	EN / UK / US 2XL / 18 / 14	EN / UK / US 3XL / 20 / 16
CHEST	75-80	81-86	87-92	93-98	99-104	105-111	112-118
WAIST	59-64	65-70	71-76	77-82	83-88	89-95	96-103
HIP	83-88	89-94	96-101	102-107	108-113	114-120	121-127

MENS

CM

	EN / UK + US S	EN / UK + US M	EN / UK + US L	EN / UK + US XL	EN / UK + US 2XL	EN / UK + US 3XL	EN / UK + US 4XL
NECK	37/38	39/40	41/42	43/44	45/46	47/48	49/50
CHEST	90-95	96-101	102-107	108-113	114-119	120-125	126-131
WAIST	76-81	82-87	88-93	94-99	100-105	106-111	112-117
HIP	92-97	98-103	104-109	110-115	116-121	122-127	128-133

HOW TO MEASURE

