

## GLMX240/480 240W/480W Full Spectrum LED Grow Light

### Table of Contents

Specifications.....	2
Spectra.....	2
PPFD Chart.....	3-6
Installation.....	7
Packaging.....	8-9

### Features

GLMX240/480 is a 240W/480W full spectrum waterproof LED grow light, which is tailor-made for indoor cannabis cultivation.

- Fine-tuned full spectrum for whole growth cycles of cannabis.
- High PPF and Efficacy: 650/1290 $\mu$ mol/s, 2.7 $\mu$ mol/J
- Uniform light distribution, and superior thermal conductivity
- Industrial grade IP65 waterproof protection
- Modular Design, versatile for various indoor growing applications.

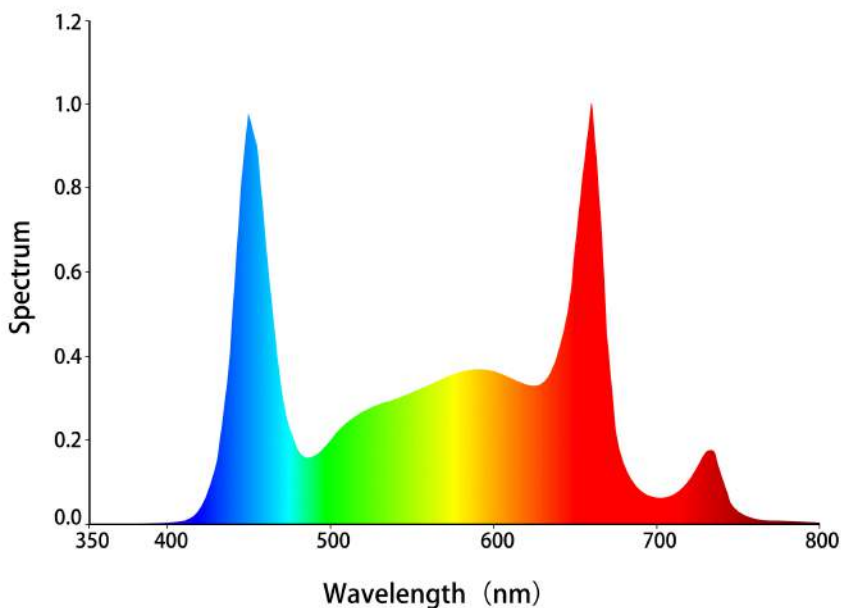
### Applications

- Indoor Plant Growing

## Specifications

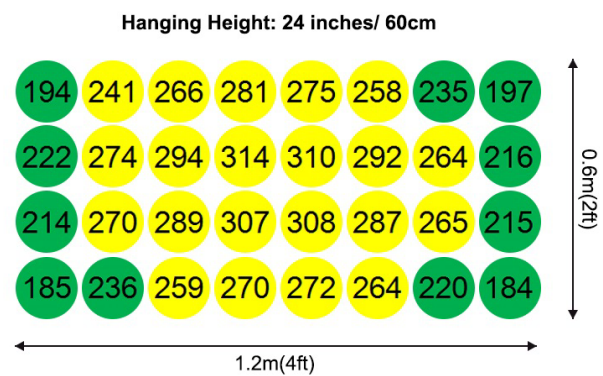
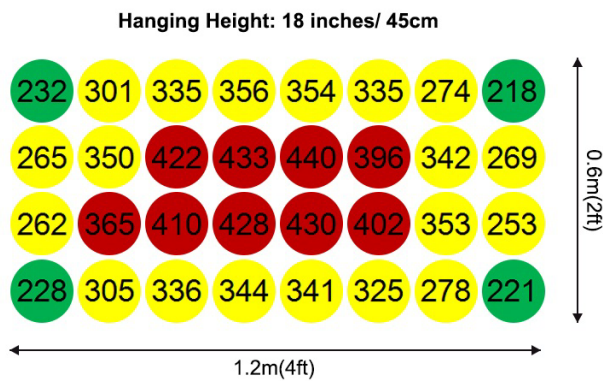
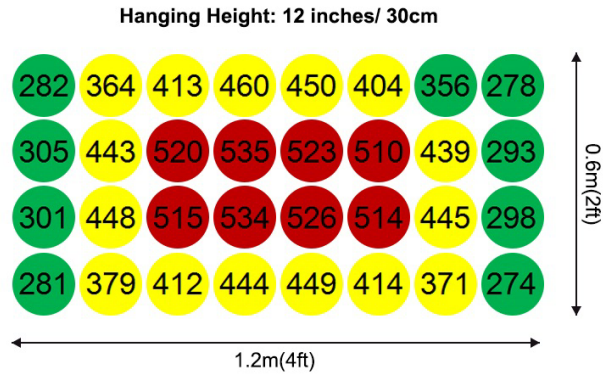
	GLMX240	GLMX480
Power Consumption (max)	240W±5%	480W±5%
Dimensions(one bar)	113.4cm L x 40.2cm W x 9.7cm D 44.65in L x 15.8in W x 3.8in D	113.4cm L x 101.2cm W x 9.7cm D 44.65in L x 39.8in W x 3.8in D
Weight(one bar)	5kg   11 lbs	10 kg   22 lbs
Typical PPF	650 µmol/s	1290 µmol/s
Efficacy	2.7 µmol/J	2.7 µmol/J
Input Voltage\Frequency	AC100-277V/47~63Hz	AC100-277V/47~63Hz
Spectrum	FSC - Full Spectrum (400-800nm)	FSC - Full Spectrum (400-800nm)
Power Factor	220V≥0.95   110V≥0.98	220V≥0.95   110V≥0.98
Cooling	Passive	Passive
Structure Material	Aluminum	Aluminum
Working Temperature	-20°C ~ 40°C   -4°F ~ 104°F	-20°C ~ 40°C   -4°F ~ 104°F
Light Distribution	120°	120°
Dimming	0-10V	0-10V
Lifetime	L90 ≥50,000 hrs	L90 ≥50,000 hrs
IP Rating	IP65 Waterproof	IP65 Waterproof
Warranty	5 years standard	5 years standard

## Spectrum



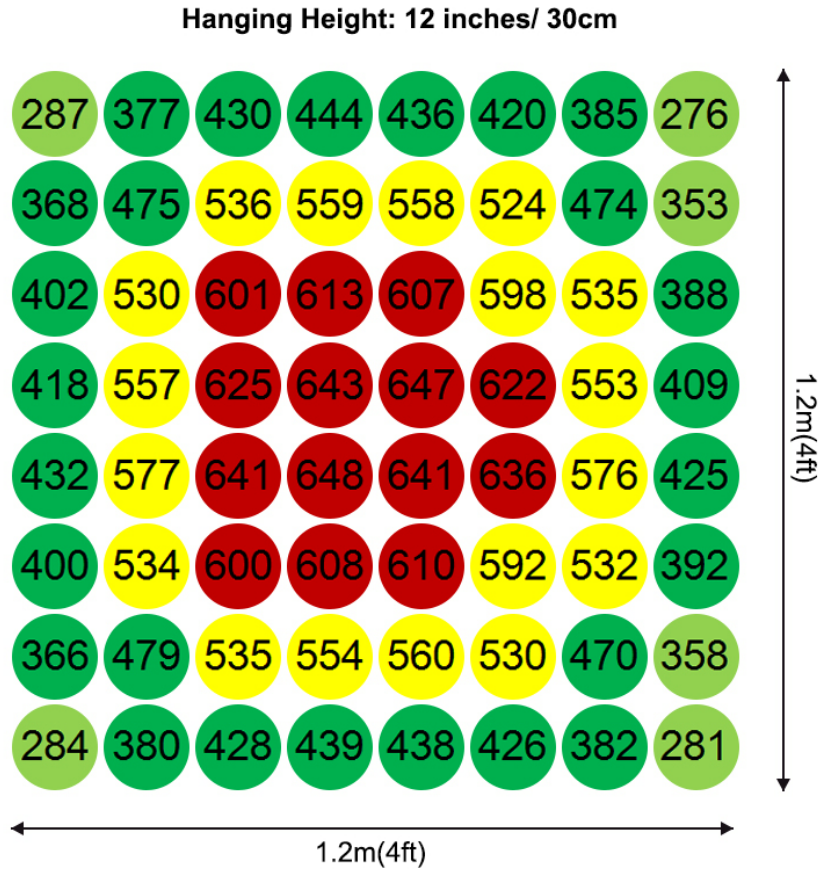
The fine-tuned full spectrum of GLMX240/480 is suitable for the whole growth cycles of cannabis indoor growing from cloning to flowering. The overall balance of multiple bands within this spectrum is able to deliver a robust and compact vegetative growth, as well as to optimize the final flowering growth with a yield of high quality, high quantity, and high potency.

## PPFD Chart of GLMX240



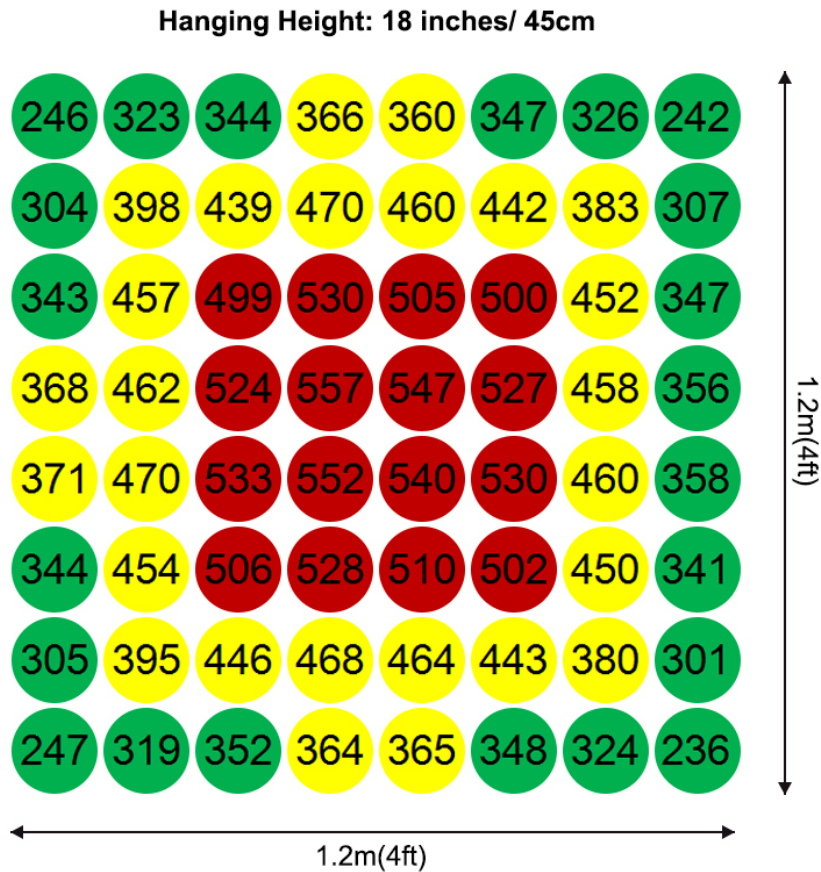
GLMX 240 lighting kit is designed to be used in a 2ft x 4ft grow tent.

## PPFD Chart of GLMX480



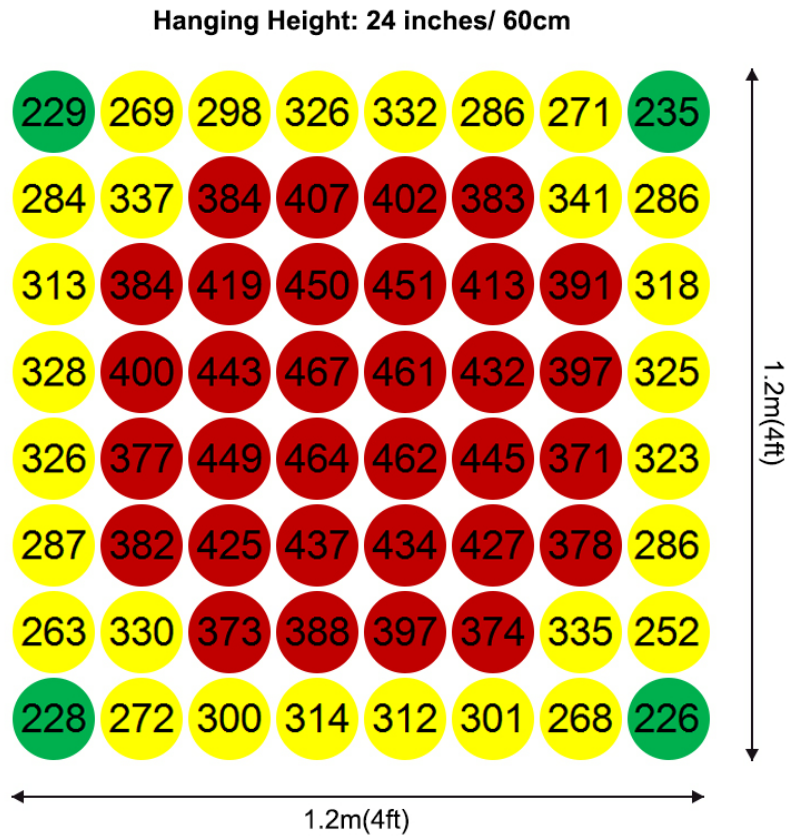
GLMX 480 lighting kit is designed to be used in a 4ft x 4ft grow tent.

## PPFD Chart of GLMX480



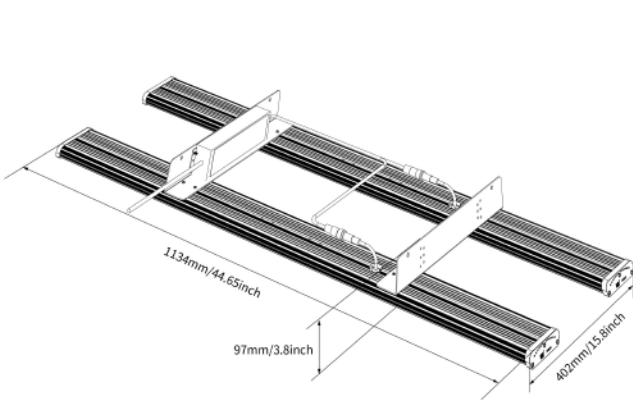
GLMX 480 lighting kit is designed to be used in a 4ft x 4ft grow tent.

## PPFD Chart of GLMX480

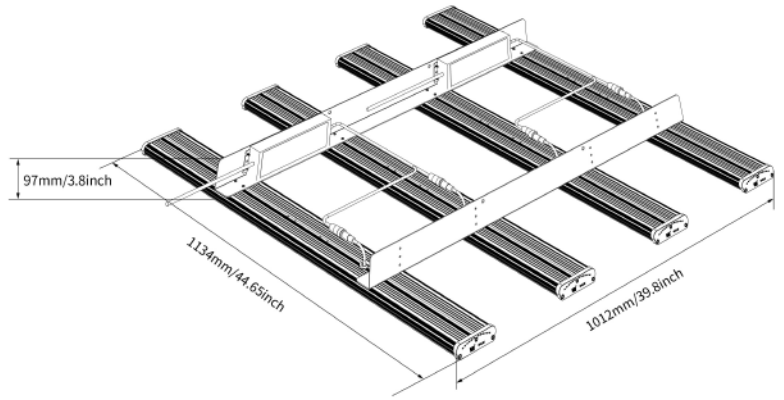


GLMX 480 lighting kit is designed to be used in a 4ft x 4ft grow tent.

## Dimensions

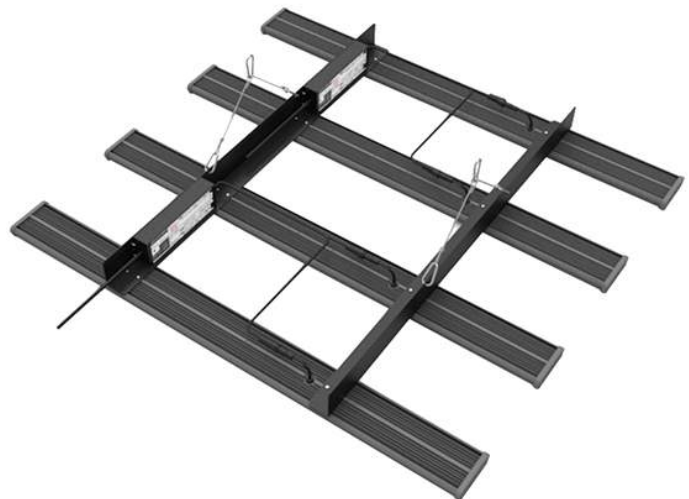


113.4cm L x 40.2cm W x 9.7cm D  
44.65in L x 15.8in W x 3.8in D



113.4cm L x 101.2cm W x 9.7cm D  
44.65in L x 39.8in W x 3.8in D

## Installation



## Hanging or Mounting

## Packing List



GLMX240 x 1



Stainless Steel Wire Rope with Hook x 4



Heavy Duty Adjustable Ratchet Rope Hanger x 2



Power Cord x 1



GLMX480 x 1



Stainless Steel Wire Rope with Hook x 4

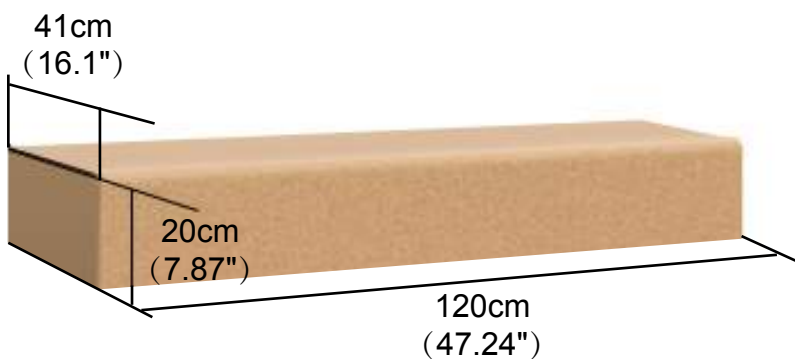


Heavy Duty Adjustable Ratchet Rope Hanger x 2



Power Cord x 1

## Packaging



### GLMX 240

**Packing Carton Model:**

3 Unit/Carton

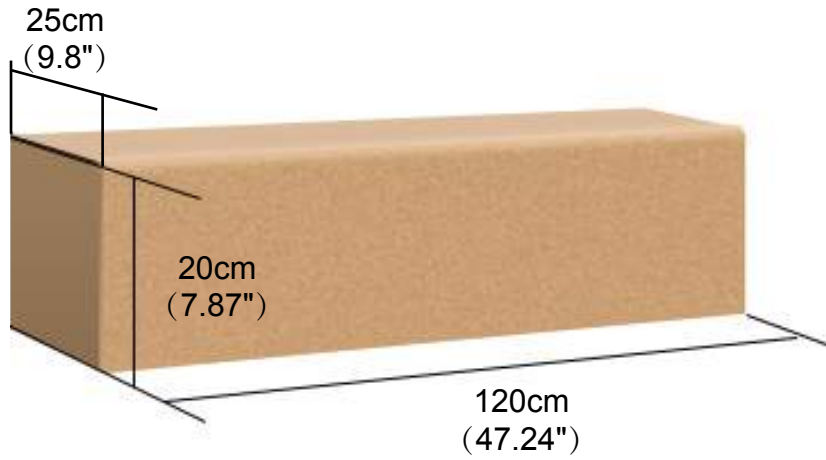
**Carton Size:**

120cm L × 41cm W × 20cm H  
47.24" L × 16.1" W × 7.87" H

**Net Weight:**

21 KGs





## GLMX 480

### **Packing Carton Model:**

1 Unit/Carton

### **Carton Size:**

120cm L × 25cm W × 20cm H

47.24" L × 9.8" W × 7.87" H

### **Net Weight:**

11 KGs

# Warranty Policy

## 1. Warranty period

VANQ GLMX Series light fixtures have a standard FIVE-year limited warranty. Warranty period starts from the date of receiving products.

This warranty policy does NOT apply to any customized product based on our standard GLMX Series models. The warranty policy of customized products is subject to the contract of the order.

## 2. Limited Warranty

The warranty as described herein shall only apply to VANQ branded lighting products sold by VANQ and the authorized agents. The warranty is only applicable to the party purchasing the products directly from VANQ and the authorized agents. VANQ warrants that each Product will be free from defects in material and workmanship. If a product fails to operate in accordance with this warranty VANQ will provide free replacement of the failed Product subject to the applicable warranty policy and the limited warranty terms and conditions as below.

## 3. Terms and Conditions

- If any Product covered by this warranty is returned by Purchaser in accordance with the warranty policy and upon examination, VANQ determines to its satisfaction that such Product failed to satisfy this warranty, VANQ will, at its option, repair or replace the Product or the defective part thereof. For purposes of clarity, "repair or replace the Product or the defective part thereof" does not include any removal or reinstallation activities, costs or expenses, including without limitation labor costs or expenses.
- If VANQ chooses to replace the Product and is not able to do so because it has been discontinued or is not available, VANQ may replace the product with a comparable product (that can show small deviations in design and product specification).
- No agent, distributor or dealer is authorized to change, modify or extend the terms of the limited warranty on behalf of VANQ in any matter.
- This limited warranty only applies when the Product has been properly wired and installed and operated within the electrical values, operating range and environmental conditions provided in the specifications, application guidelines, or any other document accompanying the Products. If a Product is found to be defective, or not performing per the product specifications, the Purchaser must notify VANQ in writing.
- VANQ will facilitate the technical resolution of problems. Third-party products sold by VANQ are not covered under this warranty, except as indicated specifically in agreement.
- This warranty does not apply to damage or failure to perform arising as a result of any Acts of God or from any abuse, misuse, abnormal use or use in violation of any applicable standard, code or instructions for use including without limitation those contained in the latest safety, industry and/or electrical standards for the relevant region(s).
- This warranty shall be void in the event in which any repairs or alterations not duly authorized by VANQ in writing are made to the Product by any person. The manufacturing date of the product has

to be clearly readable. VANQ reserves the right to make the final decision on the validity of any warranty claim.

- If requested by VANQ the non-conforming or defective Products shall become VANQ's property as soon as they have been replaced.

#### **4. Warranty Claims**

All warranty periods mentioned are subjected to VANQ having enough information of the failed product for verification of non-compliance. Guarantee claims have to be reported to VANQ within 30 days after discovery, specifying at least the following information (additional info may be required on request):

- Products failed, for international purchase, pictures and videos are required.
- Installation date and invoice date.
- Detailed problem description and number and % of failures, date-code of failure.
- Application, hours burned and switching cycles.
- Once a warranty claim is confirmed with a return-and-repair solution. Buyer needs to bear the shipping cost of returning to us. VANQ will bear the shipping cost of sending the repaired product to buyer. VANQ may charge Customer for returned Products that are not found to be defective or non-conforming together with the freight, testing and handling costs associated therewith.

#### **5. Notifications**

- Products have to be applied and used in accordance to products specifications and application guides.
- Compensation for international purchase is product replacement or free parts for all confirmed failures.
- The LED fixture will be considered defective in material or workmanship only if a total of 15% or more of the individual light emitting diodes in the LED fixture fail to illuminate or any standard finish or coating on a product shows cracking, peeling, excessive fading or corrosion defects during applicable warranty period.