

MODEL: RAD-REC

User Manual

CAUTION

TO PREVENT FIRE OR SHOCK HAZARD, DO NOT USE THIS PLUG WITH AN EXTENSION CORD, RECEPTACLE OR OTHER OUTLET UNLESS THE BLADES CAN BE FULLY INSERTED TO PREVENT BLADE EXPOSURE. TO PREVENT FIRE OR SHOCK HAZARD, DO NOT EXPOSE THIS APPLIANCE TO RAIN OR MOISTURE.



The lightning flash with arrow-head symbol, within an equilateral triangle is intended to alert the user to the presence of uninsulated 'dangerous voltage' within the product's enclosure that may be of sufficient magnitude to constitute a risk of electric shock to persons.

CAUTION

RISK OF ELECTRIC SHOCK
DO NOT OPEN



WARNING: TO REDUCE THE RISK OF ELECTRIC SHOCK DO NOT REMOVE COVER (OR BACK), NO USER SERVICEABLE PARTS INSIDE REFER SERVICING TO QUALIFIED SERVICE PERSONNEL.

The exclamation point within an equilateral triangle is intended to alert the user to the presence of important operating and maintenance (servicing) instructions in the literature accompanying the appliance.

IMPORTANT SAFETY INSTRUCTIONS

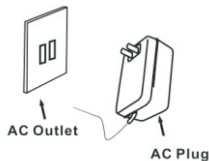
- 1) Please read these instructions and keep them for future reference.
- 2) Pay attention to all warnings.
- 3) Follow all instructions.
- 4) Do not use this apparatus near water.
- 5) Clean only with a dry cloth.
- 6) Do not block any ventilation openings.
- 7) Install in accordance with the manufacturer's instructions. Do not install near any heat sources such as radiators, heaters, stoves, or other apparatus (including amplifiers) that produce heat.
- 8) Protect the power cord from being walked on or kinked, in particular where the plug is fitted and at the point where it exits from the apparatus.
- 9) Only use attachments / accessories specified by the manufacturer.
- 10) Unplug this apparatus during lightning storms or when unused for long periods of time.
- 11) Refer all servicing to qualified service personnel. Servicing is required when the apparatus has been damaged in any way, such as power-supply cord or plug is damaged, liquid has been spilled or objects have fallen into the apparatus, the apparatus has been exposed to rain or moisture, does not operate normally, or has been dropped.
- 12) This appliance should not be exposed to dripping or splashing water and no object filled with liquids, such as vases, should be placed on the apparatus.
- 13) Do not overload the wall power outlet. Use only power source as indicated - i.e. 120V AC mains.

PREPARATION FOR USE

UNPACKING AND SET UP

- Carefully remove the unit from the display carton and remove all packing materials from the unit.
- Unwind the AC power cord and extend it to its full length.
- Place the unit on a flat and level surface. The selected location should be stable and free from vibration and convenient to an AC outlet, out of a strong magnetic field.
- Connect the plug to your AC outlet.
- Remove the white plastic stylus cover from the stylus assembly.
- During this operation pay attention to the stylus, because the stylus damage is not covered by guarantee.

This product is designed to operate by DC 12V 1A adapter. Attempting to operate this system from any other power source may cause damage to the system, and such damage is not covered by warranty.

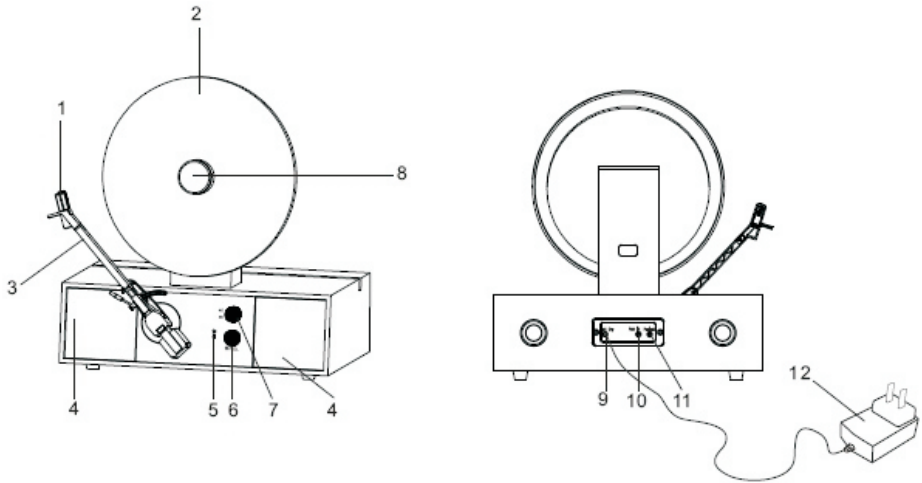


NOTE: You will note that this system is equipped with domestic standard AC power plug. If this plug does not fit into your existing AC outlet, do not try to defeat this safety feature by filing the wide blade to make it fit into your outlet. If this plug will not fit into your outlet, you probably have an outdated non-polarized AC outlet. You should have your outlet changed by a qualified licensed electrician.

PROTECT YOUR FURNITURE

This model is equipped with non-skid rubber feet to prevent the product from moving when you operate the controls. These feet are made from non-migrating rubber material specially formulated to avoid leaving any marks or stains on your furniture. However certain types of oil-based furniture polishes, wood preservatives, or cleaning sprays may cause the rubber feet to soften, and leave marks or a rubber residue on the furniture. To prevent any damage to your furniture we strongly recommend that you purchase small self-adhesive felt pads, available at hardware stores and home improvement centers everywhere, and apply these pads to the bottom of the rubber feet before you place the product on fine wooden furniture.

LOCATION OF CONTROLS AND INDICATORS



1. Cartridge & Stylus
2. Turntable
3. Tonearm
4. Speakers
5. BT indicator light
6. On/Off & Volume Knob
7. Speed Control Knob
8. Magnetic Adapter
9. Power Jack
10. Aux in Jack
11. Earphone Jack
12. AC Adapter

OPERATING INSTRUCTIONS

PHONO OPERATION

1. Rotate the ON/OFF Knob to turn on the unit.
2. Rotate the SPEED CONTROL KNOB to the correct speed (33 1/3, or 45 rpm) for the select record.
3. Take out the MAGNETIC ADAPTER, carefully put a record on the TURNTABLE, then put the MAGNETIC ADAPTER back to hold the record.
4. Release the tonearm lock. Use the Tonearm Lever to lift up the tonearm.
5. Gently move the tonearm over the record where play is desired to begin. Set the Tonearm Lever back to the down position, the tonearm will descend slowly onto the record and begin to playback.
6. Rotate the volume control knob to get desired sound level.
7. At the end of the record, the tone arm will stop automatically.

Note: Do not turn or stop the turntable manually. Moving or jarring the turntable without securing the tone arm clamp could result in damage to the tonearm.

BLUETOOTH OPERATION

1. Bluetooth is the default function when unit is turned on. Make sure the Tonearm is put on the tonearm rest position for BT to function correctly.
2. Unit is ready for pairing when there is a short audio tone followed by flashing of the BT indicator light. Turn on the Bluetooth feature of your audio device, search for “Fuse Rec” and pair.
3. Once your device is successfully paired with the unit, you will hear a short confirmation sound from the unit and BT indicator light will be blue.
4. Adjust volume on both portable device and unit to reach desired level.

NOTE:

1. BT range is approximately 30 feet.
2. Other BT devices nearby may interfere with signal.
3. Only 1 device can be paired at a time so disconnect first if pairing a different device.

AUX IN OPERATION

1. Rotate the ON/OFF Knob to turn on the unit
2. Connect the 3.5mm auxiliary cable between your external device and the AUX jack of the back of the unit.
3. Play the music from your external device from the unit.

Note: The aux in connection will automatically override the Bluetooth function. To resume using the Bluetooth function, unplug the auxiliary cable from the aux in jack. Make sure the Tonearm is put on the tonearm rest position for Aux In to function correctly.

FCC Statement

Changes or modifications not expressly approved by the party responsible for compliance could void the user's authority to operate the equipment. This equipment has been tested and found to comply with the limits for a Class B digital device, pursuant to Part 15 of the FCC Rules. These limits are designed to provide reasonable protection against harmful interference in a residential installation. This equipment generates uses and can radiate radio frequency energy and, if not installed and used in accordance with the instructions, may cause harmful interference to radio communications. However, there is no guarantee that interference will not occur in a particular installation. If this equipment does cause harmful interference to radio or television reception, which can be determined by turning the equipment off and on, the user is encouraged to try to correct the interference by one or more of the following measures:

?Reorient or relocate the receiving antenna.

- Increase the separation between the equipment and receiver.
- Connect the equipment into an outlet on a circuit different from that to which the receiver is connected.
- Consult the dealer or an experienced radio/TV technician for help

This device complies with part 15 of the FCC rules. Operation is subject to the following two conditions (1) this device may not cause harmful interference, and (2) this device must accept any interference received, including interference that may cause undesired operation. d to try to correct the interference by one