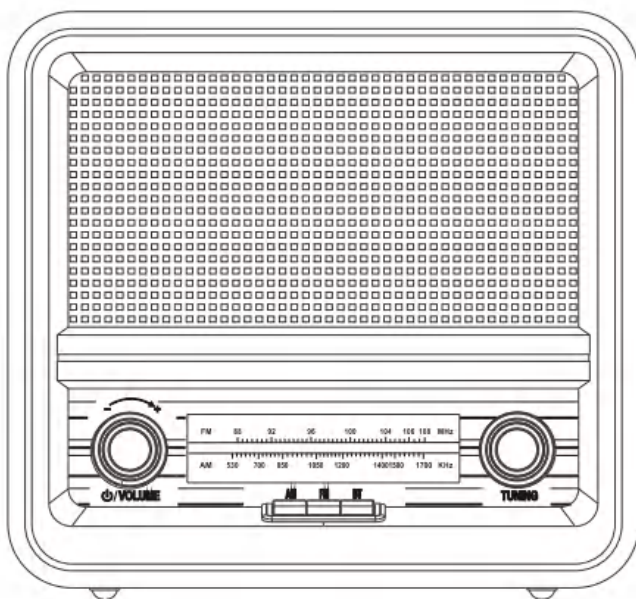




## VINTAGE WOODEN AM/FM RADIO WITH BLUETOOTH & AUX IN



**MODEL NO.: RAD-V1**

**USER MANUAL**

## IMPORTANT SAFEGUARDS FOR AUDIO PRODUCTS

1. Read Instructions - All the safety and operating instructions should be read before the product is operated.
2. Retain instructions - The safety and operating instructions should be retained for future reference.
3. Heed Warnings - All warnings on the product and in the operating instructions should be adhered to.
4. Follow Instructions - All operating and use instructions should be followed.
5. Cleaning - Unplug this product from the wall outlet before cleaning. Do not use liquid cleaners or aerosol cleaners. Use a damp cloth for cleaning.
6. Attachments - Do not use attachments not recommended by the product manufacturer as they may cause hazards.
7. Water and Moisture - Do not use this product near water, for example, near a bath tub, wash bowl, kitchen sink, laundry tub, in a damp basement, or near a swimming pool, etc.
8. Accessories - Do not place this product on an unstable cart, stand tripods, bracket or table. The product may fall and could cause serious injury to a child or an adult, and serious damage may occur to the product. Use only with a cart, tripod, bracket or table recommended by the manufacturer or sold with the product. Any mounting of the product should follow the manufacturer's instructions and only a mounting accessory should be used that is recommended by the manufacturer.
9. Ventilation - Slots and openings in the cabinet are provided for ventilation and to ensure reliable operation of the product and to protect it from overheating, and these openings must not be blocked or covered. The openings should never be blocked by placing the product on a bed, sofa, rug or other similar surfaces. This product should not be placed in a built-in installation such as a bookcase or rack unless proper ventilation is
10. Power Sources - This product should be operated only from the type of power source indicated on the marking label. If you are not sure of the type of the power supply to your home, consult your product dealer or local power company. For products intended to operate from battery power or other sources, please refer to the operating instructions.
11. Power Cord Protection - Power supply cords should be routed so that they are not likely to be walked on or pinched by items placed upon or against them, paying particular attention to cords at plugs, convenience receptacle and point where they exit from the product.
12. Protective Attachment Plug - The product is equipped with an attachment plug with overload protection. This is a safety feature. See Instruction Manual for replacement or resetting of protective device. If replacement of the plug is required, be sure the service technician has used a replacement plug specified by the manufacturer, with the same overload protection as the original plug.
13. Lightning - For added protection for this product during lightning storms or when it is left unattended and unused for long periods of time, unplug from the outlet socket and disconnect the antenna or cable system, where applicable. This will prevent damage to the product due to lightning and power line surges.
14. Power Lines - An outside antenna system should not be located in the vicinity of overhead power lines or other electric light or power circuits, or where it can fall into such power lines or circuits. When installing an outside antenna system, extreme care should be taken not to touch such power lines or circuits as contact with them might be fatal.
15. Overloading - Do not overload wall outlets, extension cords, or integral convenience receptacles as this could result in a risk of fire or electric shock. Never spill liquid of any kind on the product.
16. Servicing - Do not attempt to service this product by yourself as opening or removing covers may expose you to dangerous voltage or other hazards. Refer all servicing to

qualified service personnel.

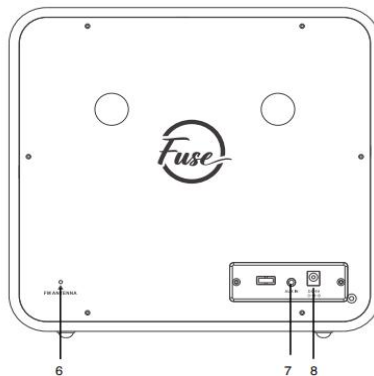
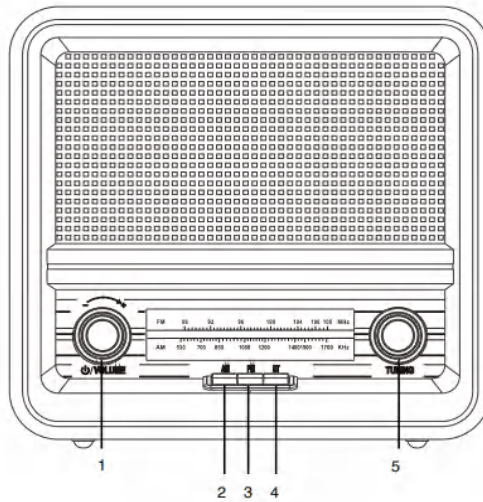
17. Safety Check - Upon completion of any service or repairs to this product, ask the service technician to perform safety checks to determine that the product is in proper operating condition.
18. Heat - The product should be situated away from heat sources such as radiators, heaters, fireplaces and cookers and other products (including amplifiers) that produce heat.
19. When the plugs is used as the disconnect device, plug shall remain readily operable.



## **UNPACKING AND SET UP**

- Carefully remove the unit from the display carton and remove all packing materials from the unit.
- Unwind the FM Antenna wire and extend it to its full length.
- Place the unit on a stable, level surface, convenient to an AC outlet, out of direct sunlight, and away from sources of excess heat, dust, moisture, humidity or strong magnetic fields.

# LOCATION OF CONTROLS AND INDICATORS



1. Power/Volume Control
2. AM Function Button
3. FM Function Button
4. BT Function Button
5. Tuning Control
6. FM Wire Antenna
7. AUX IN Jack
8. Power Jack

# OPERATING INSTRUCTIONS

## GENERAL OPERATION

1. Connect the AC/DC adapter to the unit and wall outlet.
2. Rotate the Power/VOLUME control knob to the right to turn on the unit, a click sound will be heard.
3. Press AM Button to enter AM mode, press FM Button to enter FM mode.
4. Rotate the volume control knob to adjust the volume.

## Radio Operation

1. If you previously had an aux-in cable connected, make sure it is disconnected to use the radio.
2. Switch between AM and FM by pressing the AM or FM button.
3. Use the tuning knob to select your desired radio station.
4. Use the volume control knob to adjust the volume

## Antenna Information

**AM** - The AM bar antenna is inside the cabinet. If AM reception is unsatisfactory try re-positioning the cabinet slightly until the internal antenna is picking up the strongest signal.

**FM** - The FM wire antenna is located on the back cabinet. If necessary adjust the position and direction of this antenna until you find the position that provides the reception.

## Bluetooth Operation

1. If you previously had an aux-in cable connected, make sure it is disconnected to use Bluetooth.
2. Press the BT button to the Bluetooth mode, you will hear an activation sound from the unit.
3. Turn on the Bluetooth feature of your audio device, search for "MTFUSE1" and pair.
4. Once your device is successfully paired with the unit, you will hear a short confirmation sound from the unit.
5. Play music from your device to the unit.
6. Rotate the VOLUME control to the desired level.

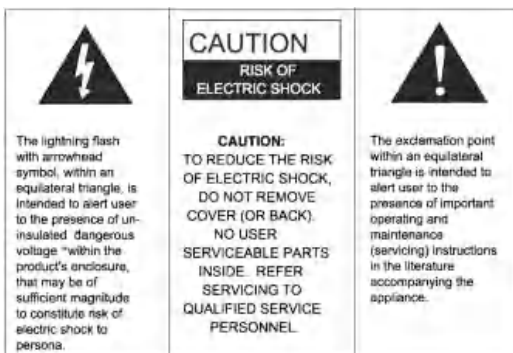
## Aux Input Connection

You can connect an audio device to this unit and play your music through its speakers. To do this, connect the 3.5mm auxiliary cable between your audio device and the Aux In Jack of this unit and start playing the music.

Note: The aux in connection has the highest priority of all the functions. When there is an auxiliary cable plugged in, the aux in connection will automatically override the AM/FM or Bluetooth mode. To resume using the other features of the unit, unplug the auxiliary cable from the aux in jack

## WARNING:

TO PREVENT FIRE OR SHOCK HAZARD, DO NOT EXPOSE THIS APPLIANCE TO RAIN OR MOISTURE. DO NOT REMOVE COVER. PILOT LAMPS SOLDERED IN PLACE. NO USER SERVICEABLE PARTS INSIDE. REFER SERVICING TO QUALIFIED SERVICE PERSONNEL.



## SPECIFICATIONS:

Frequency Range	AM: 530-1700KHz; FM: 88-108MHz
Power Source	AC power adaptor, DC output 9V 0.8A
Power Consumption	10W (MAX)
Antennas	Built-in Ferrite Bar for AM, External Antenna for FM
Speaker	3" 4Ω 5W Speaker
Input for Power Supply	100-240V

## FCC Statement

Changes or modifications not expressly approved by the party responsible for compliance could void the user's authority to operate the equipment. This equipment has been tested and found to comply with the limits for a Class B digital device, pursuant to Part 15 of the FCC Rules. These limits are designed to provide reasonable protection against harmful interference in a residential installation. This equipment generates uses and can radiate radio frequency energy and, if not installed and used in accordance with the instructions, may cause harmful interference to radio communications. However, there is no guarantee that interference will not occur in a particular installation. If this equipment does cause harmful interference to radio or television reception, which can be determined by turning the equipment off and on, the user is encouraged to try to correct the interference by one or more of the following measures:

- Reorient or relocate the receiving antenna.
- Increase the separation between the equipment and receiver.
- Connect the equipment into an outlet on a circuit different from that to which the receiver is connected.
- Consult the dealer or an experienced radio/TV technician for help.

This device complies with part 15 of the FCC rules. Operation is subject to the following two conditions (1) this device may not cause harmful interference, and (2) this device must accept any interference received, including interference that may cause undesired operation.

