

COMPACTION



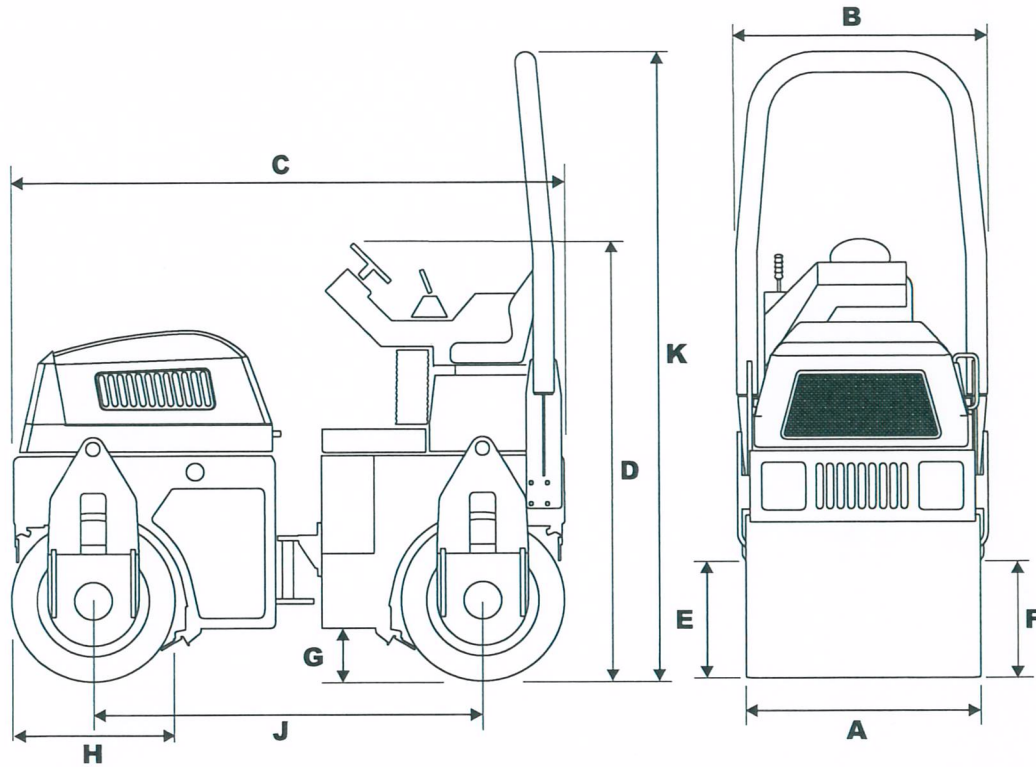
**MODELS**

**1-71**  
**MBR71**  
**2-65**

**TV800**  
**TV800H**  
**TV1000**

**TV1200**  
**TV1200H**  
**TV1300**  
**TV1400**

## Tandem Rollers



**Dimensions**

	TV800	TV800H	TV900	TV1000	TV1200	TV1200H	TV1300	TV1400
<b>A</b>	800	800	900	1000	1200	1200	1300	1400
<b>B</b>	870	870	970	1070	1270	1270	1370	1470
<b>C</b>	1860	1860	1860	2375	2375	2375	2375	2375
<b>D</b>	1530	1530	1530	1940	1940	1940	1940	1945
<b>E</b>	420	420	420	555	555	555	555	555
<b>F</b>	390	390	390	490	490	490	490	490
<b>G</b>	200	200	200	230	230	230	230	230
<b>H</b>	550	550	550	700	700	700	700	700
<b>J</b>	1260	1260	1260	1675	1675	1675	1675	1675
<b>K</b>	2400	2400	2400	2650	2650	2650	2650	2650



## Tandem Rollers

### Specifications

	TV800	TV800H	TV900	TV1000	TV1200	TV1200H	TV1300	TV1400
Basic Weight kg	1446	1504	1455	2385	2740	3135	3365	4315
Operating Weight kg	1559	1617	1568	2570	2925	3335	3565	4515
Static Linear Load kg/cm	9.7	10.1	8.7	12.85	12.18	13.9	13.7	16.1
Frequency Hz	46/52	46/52	46/52	48/56	48/56	48/56	48/56	48/56
Amplitude mm	0.5	0.5	0.5	0.5	0.6	0.6	0.5	0.5
Centrifugal Force kN	10/12.5	10/12.5	10/12.5	17/23	22/30	22/30	27/37	45/61
Gradeability % vib on	30	30	30	30	30	30	30	30
Gradeability % vib of	40	40	40	40	40	40	40	40
Drum Thickness mm	10.0	10.0	10.0	10.0	13.0	13.0	15.0	25.0

### Engine & Drive

	TV800	TV800H	TV900	TV1000	TV1200	TV1200H	TV1300	TV1400
Make	Kubota	Kubota	Kubota	Kubota	Kubota	Kubota	Kubota	Kubota
Model	D905	D905	D905	D1703-M	D1703-M	D1703-M	V2203-M	V2203-M
Cylinders	3	3	3	3	3	3	4	4
Cooling	Liquid	Liquid	Liquid	Liquid	Liquid	Liquid	Liquid	Liquid
Power kW	16.5	16.5	16.5	24.5	24.5	24.5	32.4	32.4
RPM	2500/3000	2500/3000	2500/3000	2300/2800	2300/2800	2300/2800	2300/2800	2300/2800
Drive	Hydrostatic	Hydrostatic	Hydrostatic	Hydrostatic	Hydrostatic	Hydrostatic	Hydrostatic	Hydrostatic
KPH	8.0	8.0	8.0	10	10	10	10	10

### Dimensions

	TV800	TV800H	TV900	TV1000	TV1200	TV1200H-	TV1300	TV1400
Inside Turning Radius mm	1950	1950	1900	2625	2525	2525	2475	2425
Frame Articulation degrees	30	30	30	30	30	30	30	30
Frame Oscillation degrees	8	8	8	15	15	15	15	15
Hydraulic Tank Capacity lts	28	28	28	44	44	44	44	44
Fuel Tank Capacity lts	18	18	18	44	44	44	44	44
Water Tank Capacity lts	86	86	86	180	180	200	200	200

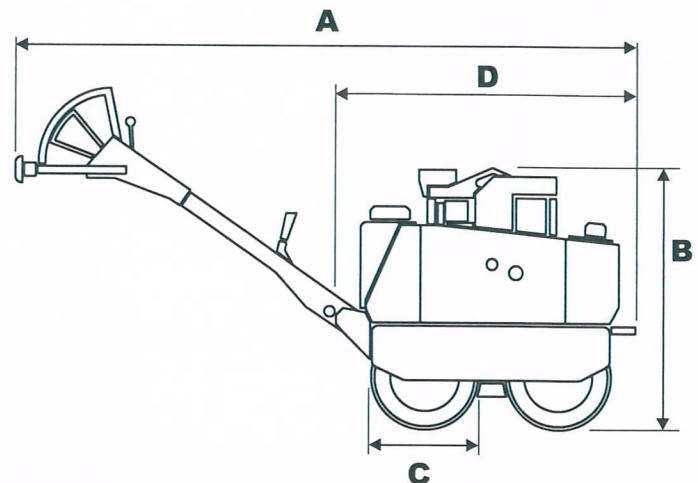
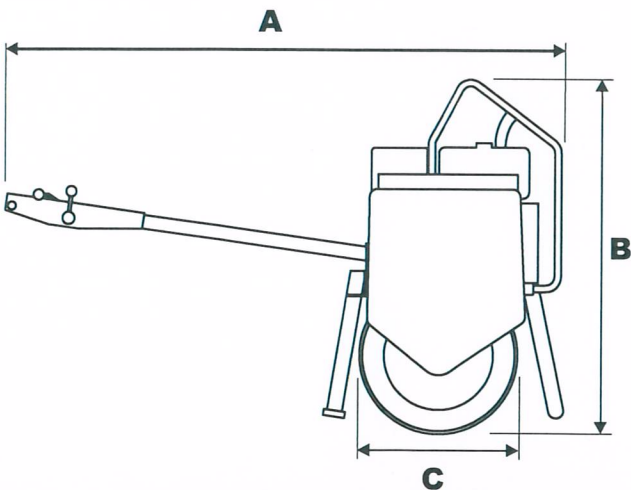


## Pedestrian Rollers

Specifications			
	1-71	MBR71	2-65
Operating Weight kg	476	512	700
Static Linear Load kg/cms	6.7	7.21	5.3
Frequency Hz	65	65	62
Amplitude mm	0.66	0.66	0.55
Centrifugal Force kN	9.0	9.0	16.0
Gradeability % vib on	25	25	33
Gradeability % vib of	33	33	50
Drum Thickness mm	8.0	8.0	8.0
Water Tank Capacity lts	25	20	35
Fuel Tank Capacity lts	5	5	5

Dimensions (mm)			
	1-71	MBR71	2-65
A	2180	2180	2380
B	1300	1300	1030
C	575	575	400
D	n/a	n/a	1120
Machine Width	830	830	770
Drum Width	710	710	650
Kerb Clearance	405	405	200

Engine & Drive			
	1-71	MBR71	2-65
Engine	Hatz	Hatz	Hatz
Model	1D41S	1D41S	1D41S
Power kW	5.4	5.5	6.0
RPM	2600	2600	2800
Cooling	Air	Air	Air
KPH	3.2	3.2	3.2
Drive	Hydrostatic	Hydrostatic	Hydrostatic



**TEREX Compact**  
**Prologis Park**  
**Coventry**  
**England**  
**CV6 4BX**  
**Tel: +44(0) 024 7633 9400**  
**Fax: +44(0) 024 7633 9500**  
**www.terex.com**