



CHIKUSUI CANYCOM, INC.
http://www.canycom.jp/eng/

■ **HEAD OFFICE**

90-1 Fukumasu, Yoshii, Ukiha, Fukuoka, 839-1396, JAPAN
TEL +81-943-75-2195 FAX +81-943-75-4396

■ **HAKATA OFFICE(OVERSERS DIV.)**

Yutoku Bldg 6F, 1-5 Nakagofuku-machi, Hakata,
Fukuoka, 812-0035, JAPAN
TEL +81-92-272-1104 FAX +81-92-272-1119

■ **TOKYO OFFICE**

Onarimon Excellent Bldg 6F, 1-1-32, Shibadaimon, Minato,
Tokyo, 105-0012, JAPAN
TEL +81-3-6402-2621 FAX +81-3-6402-2622

■ **AUSTRIA OFFICE**

A-8524 Bad Gams 13, AUSTRIA
TEL +43-6991-6300303 FAX +43-3463-232123
http://www.canycom.st/

■ **SWITZERLAND OFFICE**

Strada D'Indeman 12, CH-6574 Vira, SWITZERLAND
TEL +41-76-5856641 FAX +41-32-5129426
http://www.canycom.org/

■ **PHILIPPINE OFFICE**

TEL +63-93-2793-2262

■ **THAILAND OFFICE**

Please contact our head office (ex_info@canycom.co.jp) for details

■ **CANYCOM USA, INC.**

16000 Christensen Road Suite 308 Tukwila, WA 98188, USA
TEL +1-425-450-0381 FAX +1-425-450-0384
http://www.canycomsales.com/

■ **CANYCOM KOREA, INC.**

1602-ho, Busan science technology center, Busan Technopark,
1277, Jisa-dong, Gangseo-gu, Busan, 618-230, KOREA
TEL +82-51-832-2141 FAX +82-51-832-2142
http://www.canycom.co.kr/

■ **CHIKUSUI AGRICULTURE MACHINES (CHANGZHOU) CO.,LTD.**

No.9 Lan Xiang Road, Wujin Economic Development Zone, Changzhou Jiangsu, CHINA
TEL +86-519-89180222 FAX +86-519-89181222
筑水农机(常州)有限公司 江苏省常州市武进经济开发区兰香路9号 电话0519-89180222 传真0519-89181222
http://www.canycom.com.cn/

Key Operating Instructions

Please carefully review and adhere to the cautionary points below when operating the carrier vehicle.

Depending on the conditions of the job site, the operational procedures of the vehicle will change, so please take particular caution according to the following instructions.

Carefully review and follow the operator's manual before operating the machine.

- Always inspect the brake and check for safety before operating the vehicle.
- When operating the machine please be cautious of your surroundings to prevent accidents from flying stones and other objects.
- Warning: Various use carriers and industrial vehicles are for use within operating areas and are not suitable for public roads.
- Please note that we are not responsible for accidents caused by behavior that goes against the precautions laid out in the operator's manual.
- Catalog are based on models made in December 2016 and are subject to change. Please be aware that changes to and discontinuation of models (including engine models) or changes in price may occur due to inevitable societal circumstances.
- Changes to specifications to improve models may occur without notice.
- The appearance of products in this catalog may differ slightly from the actual models.
- Specifications and regulations may vary in different markets.

2016.12.300



Monozukuri (the art of manufacturing) is our
Enka and Naniwabushi (soul music),
and embodies our sense of duty (Giri) and humanity (Ninjou).
We bring you our Giri and Ninjou.



OVERSEAS OFFICES



D U M P E R

2017 PRODUCT CATALOGUE

by CANYCOM - SUPERIOR JAPANESE ENGINEERING





CANYCOM's dumpers are improved constantly and are reliable products.

Our machines are compact and can go through narrow areas and construction job sites with limited space where maneuvering is difficult.

You can drive in both directions.

This enables a system for easier dumping and improved efficiency.

The machines structure is simple and its design allows easy access for maintenance.

私たちの大切なお客様へ

🇬🇧 To our valued clients

We take pride in supporting our clients with our reliable technology. We give them the chance to select the products that will suit their needs. Together, we go further.

🇫🇷 A nos chers clients

Nous sommes fiers de soutenir nos clients grâce à notre technologie fiable. Nous leur donnons la chance de choisir le produit qui leur convient. Tous ensemble en avant.

🇮🇩 Untuk Pengguna Di Dunia

Kualitas tinggi dan kinerja tinggi produk Jepang mendukung pekerjaan anda disitus. Pilih CANYCOM dumper dari seri kami. Kompak, mobilitas tinggi di dunia.

🇮🇹 Ai i nostri stimati clienti

Siamo orgogliosi di supportare i nostri clienti grazie all'affidabilità dei prodotti CANYCOM. Assieme faremo molti passi in avanti

🇩🇪 An unsere werten Kunden

Wir sind stolz auf die Unterstützung unserer Kunden an unserer zuverlässigen Technologie. Wir geben Ihnen die Chance, den Erzeugnisse, auf ihre Bedürfnisse angepasst auszuwählen. Gemeinsam, kommen wir weiter.

🇸🇪 Till våra värdefulla kunder

Vi är stolta att kunna hjälpa våra kunder med vår tillförlitliga teknik. Vi ger dem chansen att välja den produkter som passar till deras behov. Tillsammans går vi vidare.



Hydraulic dump model

[PUNDA] S25A

Max. Output **46PS** Max. Payload **2500kg**

TYPE: [Swivel Dump] Scoop Bucket | Flat Bucket [1-way Dump] 3-way Opening Door Bucket



[PUNDA] S160

Max. Output **20.5PS** Max. Payload **1600kg**

TYPE: [Swivel Dump] Scoop Bucket



[PUNDA] S100

Max. Output **15PS** Max. Payload **1000kg**

TYPE: [Swivel Dump] Scoop Bucket [1-way Dump] 3-way Opening Door Bucket



[CONCRETE SUNAO] SC75

Max. Output **22PS** Max. Payload **750kg**

TYPE: [Swivel Dump] Plastic Bucket / Steel Bucket [1-way Dump] Plastic Bucket / Steel Bucket



[WHITE CANY] SC45

Rated Output **6.3PS** Max. Payload **450kg**

TYPE: [1-way Dump] Plastic Bucket



Manual / Hydraulic dump model

[PINKLADY] BFP602

Max. Output **6.3PS** Max. Payload **450kg**

TYPE: [1-way Dump] Scoop Bucket (Manual / Hydraulic) 3-way Opening Door Bucket (Manual) Slide Frame (Manual)

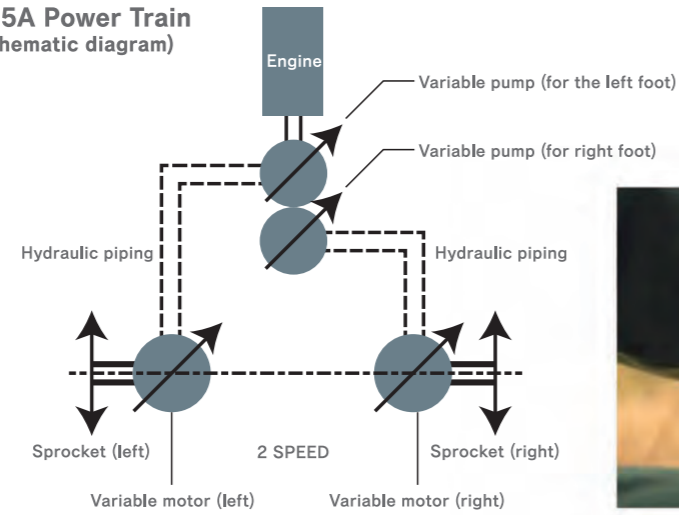


2 pumps 2 motors type HST

The S25A is equipped with an HST driven system with 2 pumps and 2 motors. A low maintenance HST, less work is needed for adjusting the power train, oiling, and greasing. This system allows smooth maneuverability.

S25A	S160	S100
SC75	SC45	BFP602

S25A Power Train (schematic diagram)



THE ART OF MANUFACTURING

Our commitment is to provide to our customers satisfaction and comfort with a reliable technology

Product features



180° bucket rotation

Better work efficiency with a precise dumping system.

S25A	S160	S100
SC75	SC45	BFP602



Swedish steel

Bucket made from hard Swedish steel. *Only for swivel dump

S25A	S160	S100
SC75	SC45	BFP602



180° rotating operator seat

You can operate in a posture facing the direction of travel by using the rotating seat.

S25A	S160	S100
SC75	SC45	BFP602



Seesaw roller system

For easy and stable travel on uneven surfaces.

S25A	S160	S100
SC75	SC45	BFP602



CANYCOM's unique transmission

Low speed running. Can select super low running gear 0.25Km/h

S25A	S160	S100
SC75	SC45	BFP602



Walk-behind Rubber Track Carrier

The unit allows operators to pass through garden gates, climb steep slopes, and work in the tightest and roughest of worksites.

S25A	S160	S100
SC75	SC45	BFP602



[PUNDA]

S25A

Swivel Dump

1-way Dump

Max. Output
46PS

Max. Payload
2500kg

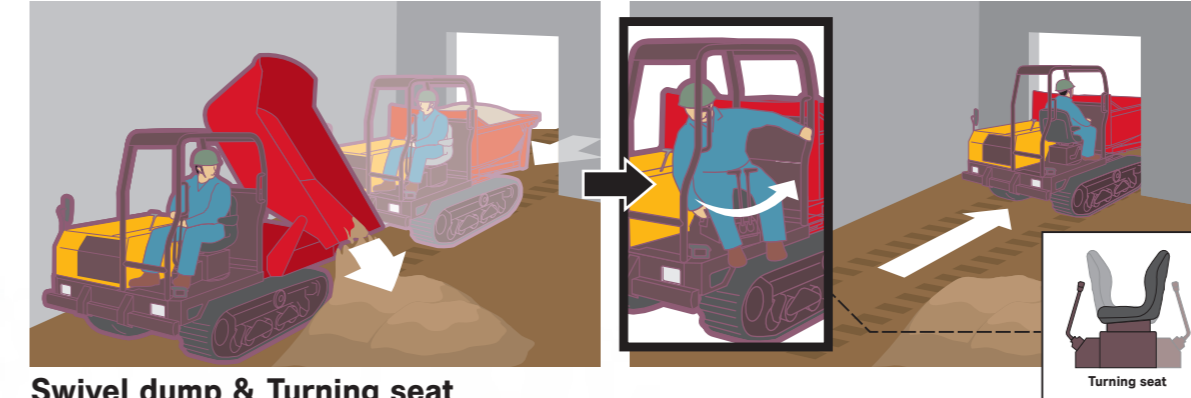
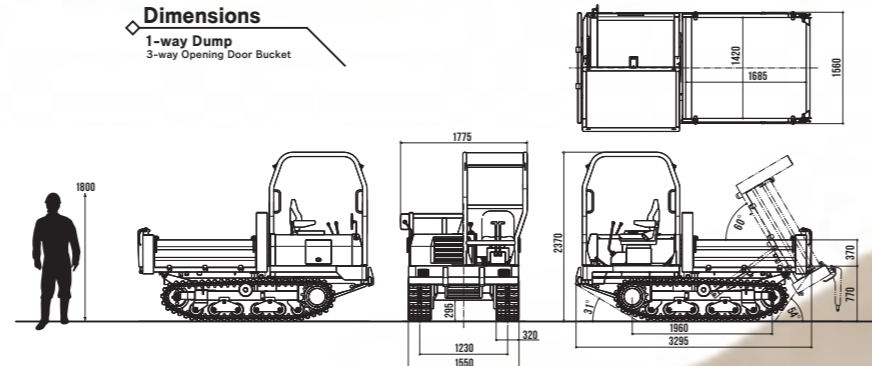
Powerful in varied conditions A reliable machine built to meet your expectations

Equipped with a 46PS water-cooled four-cylinder diesel engine. Good climbing speed and easy counter rotating ability. The rotating seat and swiveling bucket allow easy operation and dumping in narrow job sites.



Dimensions

1-way Dump
3-way Opening Door Bucket



Swivel dump & Turning seat

While driving the machine, you can dump at an angle of 90° and at the same time rotate the bucket from left to right (vice versa). For a better work efficiency, you can operate in a posture facing your traveling direction without pivoting the machine by using the seat rotation system.



Easy maintenance

By using 2 pumps and 2 motors, less lubrication of the power train and adjustments are needed. Easy access engine hood opens fully for quicker maintenance and inspections.

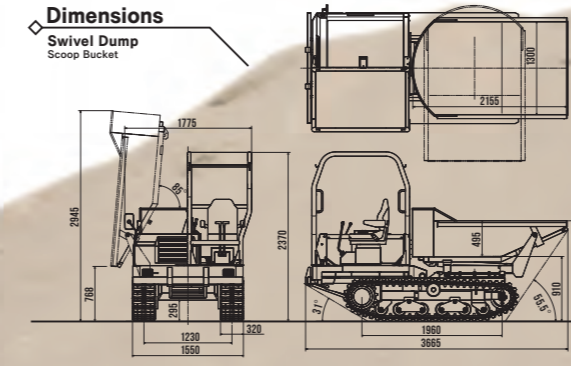
Tough undercarriage

We use large-diameter track rollers to increase track life.



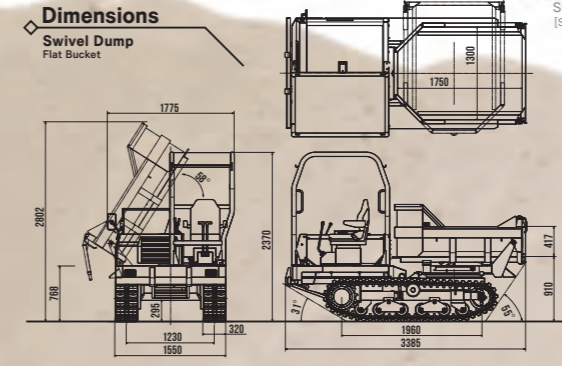
Dimensions

Swivel Dump
Scoop Bucket



Dimensions

Swivel Dump
Flat Bucket



Specifications

Model and Type	S25A			
	1-way Dump	Swivel Dump		
	3-way Opening Door Bucket	Flat Bucket	Scoop Bucket	
Machine Mass	2230kg	2480kg	2430kg	
Maximum Payload	24.5kN(2500kgf)			
Dimensions	Overall Length	3295mm	3385mm	
	Overall Width	1775mm		
	Overall Height	2370mm		
	Track Contact Length	1960mm		
	Track Tread	1230mm		
	Ground Clearance	295mm		
Loading Bucket	Loading Bucket Height	770mm	910mm	
		Length	1685mm	2155mm
		Width	1420mm	1300mm
	Payload	Struck	0.89m ³	1.03m ³
		Heaped	1.26m ³	1.40m ³
Engine	Model	Kubota V2203		
	Type	4-cycle, Water-cooled Diesel, in-line 4 cylinder		
	Cylinder (Bore×Stroke)	87×92.4mm		
	Displacement	2197cm ³		
	Rated Output	34.1kw(46.4PS)		
	Maximum Torque	139.6N·m (14.2kgf·m)		
	Starter System	Electric		
	Fuel	Diesel Fuel		
	Fuel Consumption	251g/kW·h(185g/PS·h)		
	Fuel Tank Capacity	45L		
	Oil Capacity	9.7L		
	Coolant Capacity	7.2L		
	Battery Type	100E41R		
Battery Capacity	12V/80AH			
Performance and Operating Range	Travel Speed	High Speed	0 - 11km/h	
		Low Speed	0 - 6km/h	
	Minimum Turning Radius	2.0m		
	Gradability	30° (Unloaded)		
HST Oil Capacity	36L			
Drive Train	Main Transmission	HST (2-Speed Motor)		
	Steering System	2-Pump/2-Motor System		
	Brakes	Hydraulic		
Dumping System	Dump System	Hydraulic Dump		
	Load Bucket Type	1-way Dump	Swivel Dump	
		Type	Gear Pump	
		Max. Speed	2,800rpm	
	Max. Discharge	31L/min		
	Relief Pressure	15.7MPa(160kgf/cm ²)	11.8MPa (120kgf/cm ²)	
Cylinder(Bore×Stroke)	80×407mm			
Performance	Max. Angle	60°	58°	
	Lifting Time	approx. 4.0Sec		
	Lowering Time	approx. 3.0Sec		
Hydraulic Fluid Capacity	Shared with HST System			
Swivel System	Swivel System	Hydraulic (Twin cylinder)		
	Swiveling Angle	90° (Right/Left)		
	Swiveling Time	approx. 6.0Sec		
	Cylinder(Bore×Stroke)	60×250mm		

*These specifications are subject to change without notice.

[PUNDA]

S160 Swivel Dump

Max. Output
20.5PS

Max. Payload
1600kg

Compact and outstanding for indoor applications
The S160 enables speed and efficiency on the job

This is a compact machine for indoor or outdoor applications and carrying large loads gravel, stones, etc.



Twin HST

With the twin HST drive system, you can make a pivot turn on one side of the machine, while the other side of the crawler is locked. Left and right movements are possible while moving forward or backward. You can even make a smooth counter rotation.



Easy maintenance

Easy access engine hood opens fully for quicker maintenance and inspections.



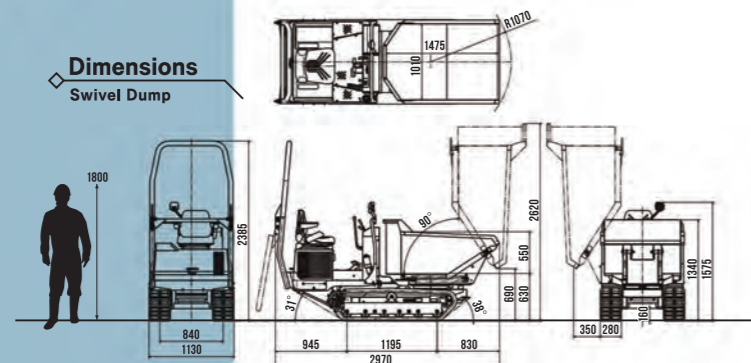
Smooth travel

The HST enables easy and smooth travel. The length of the track on the ground and the swing track roller allows smooth travel.

Other

- Due to the rotating seat, you can get off and get on the machine from both sides (left & right).
- Safety function switch to prevent against brake drags.

Dimensions Swivel Dump



Specifications

		S160	
Model and Type		Swivel Dump	
		Scoop Bucket	
Machine Mass		1400[1310]kg	
Maximum Payload		15.7kN(1600kgf)	
Dimensions	Overall Length	2970[2850]mm	
	Overall Width	1130[1120]mm	
	Overall Height	2385[1575]mm	
	Track Contact Length	1195mm	
	Track Gauge	840mm	
	Ground Clearance	160mm	
	Loading Bucket Height	630mm	
Loading Bucket	Inside Dimensions	Length	1475mm
		Width	1010mm
		Height	550mm
	Payload	Struck	0.6m ³
	Heaped	0.74m ³	
Engine	Model	Kubota D1105-E3B	
	Type	Water-cooled 4-cycle Diesel, in-line 3 cylinder	
	Cylinder (Bore×Stroke)	78×78.4mm	
	Displacement	1123cm ³	
	Rated Output	15.1kw(20.5PS)	
	Maximum Torque	70.3N·m(7.2kgf·m)	
	Starter System	Electric	
	Fuel	Diesel No.2-D(ASTM D975)	
	Fuel Consumption	255g/kW·h(190g/PS·h)	
	Fuel Tank Capacity	22L	
	Oil Capacity	3.3L	
	Coolant Capacity	3.5L(excluding reservoir)	
	Electrical	Battery Type	95D31R
Battery Capacity		12V/65AH	
Working Lamp		12V/18.4W	
Speed		0-7.0km/h	
Performance and Operating Range	Minimum Turning Radius	1.7m	
	Gradability	25° (Unloaded)	
	Operating Temperature	-15~40°C	
	Altitude	0~1500m	
	HST Oil Capacity	32L	
Drive Train	Main Transmission	Twin HST	
	Steering	Twin HST, 2Lever	
	Brakes	Internally Expanding	
	Track Size	280×51×72mm	
Transmission Oil Capacity	3.2L		
Dumping System	Dumping System	Hydraulic Dump	
		Type	Gear Pump
		Max. Speed	2100rpm
	Max. Discharge	16.8L/min	
	Relief Pressure	14.0MPa (145kgf/cm ²)	
	Cylinder(Bore×Stroke)	465×625mm	
		Max. Angle	90°
	Performance	Lifting Time	approx. 7.4Sec
		Lowering Time	approx. 5.0Sec
	Hydraulic Fluid Capacity	Shared with HST System	
Swivel System	Hydraulic (Twin cylinder)		
Swiveling Angle	90° (Right/Left)		
Swiveling Time	approx. 6.6Sec / 180°		
Cylinder(Bore×Stroke)	50×160mm		

* () indicates models without ROPS.

*These specifications are subject to change without notice.

[PUNDA]

S100 Swivel Dump 1-way Dump

Max. Output
15PS

Max. Payload
1000kg

1 ton type mini dumper for narrow construction job sites

With the swivel dumping system, you can dump in narrow job sites and in a variety of conditions. A highly popular feature for this type.



Starting safety functions

When the steering levers are in neutral, the machine will not start unless the brake pedal is engaged.



Dumping Angle

For the swivel dump type 90°
For the 3-way Opening Door Bucket type 67°



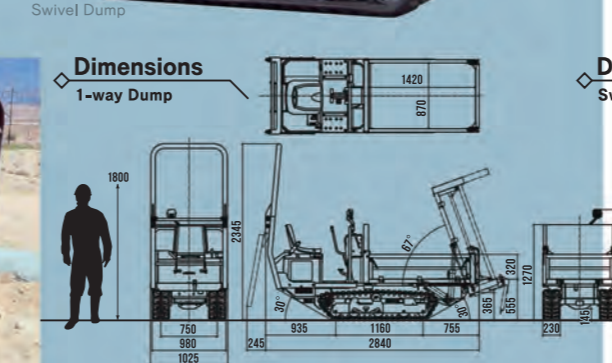
Flat deck

The driver's seat is a walk-through type that enables easy access to the operator platform from the left and right sides.

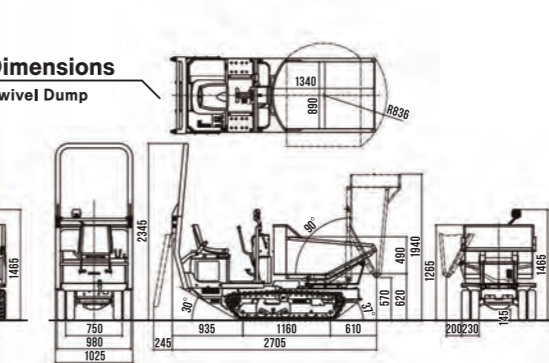
Other

- HST allows smooth turning
- Maintenance is easy with full open hood

Dimensions 1-way Dump



Dimensions Swivel Dump



Specifications

		S100			
Model and Type		1-way Dump	Swivel Dump		
		3-way Opening Door Bucket	Scoop Bucket		
Machine Mass		935[880]kg	965[910]kg		
Maximum Payload		9.8kN(1000kgf)			
Dimensions	Overall Length	2840[2740]mm	2705[2595]mm		
	Overall Width	1025[980]mm			
	Overall Height	2345[1465]mm			
	Track Contact Length	1160mm			
	Track Gauge	750mm			
	Track Width	230mm			
	Ground Clearance	145mm			
Loading Bucket	Loading Bucket Height	555mm	620mm		
		Inside Dimensions	Length	1420mm	1340mm
		Width	870mm	890mm	
	Height	320mm	490mm		
Payload	Struck	0.43m ³	0.39m ³		
	Heaped	0.55m ³	0.50m ³		
Engine	Model	Kubota D722			
	Type	Water-cooled 4-cycle Diesel, in-line 3 cylinder			
	Cylinder (Bore×Stroke)	67×68mm			
	Displacement	719cm ³			
	Rated Output	11.0kw(15.0PS)			
	Maximum Torque	37.0N·m(3.8kgf·m)			
	Starter System	Electric			
	Fuel	Diesel Fuel			
	Fuel Consumption	312.7g/kW·h			
	Fuel Tank Capacity	15L			
	Oil Capacity	3.8L			
	Coolant Capacity	3.1L excluding reservoir			
	Electrical	Battery Type	75D23R		
Battery Capacity		12V/52AH			
Working Lamp		12V/18.4W			
Speed		0-5.4km/h			
Performance and Operating Range	Minimum Turning Radius	1.7m	1.55m		
	Gradability	25° (Unloaded) / 15° (Loaded)			
	Stability Angle(Loaded)	25°			
	Operating Temperature	-15~40°C			
	Altitude	0~1500m			
HST Oil Capacity	20L	23.3L			
Drive Train	Main Transmission	Twin HST			
	Steering	Twin HST, 2 Lever			
	Brakes	Internally Expanding			
	Transmission Oil Capacity	2.0L			
Dumping System	Dumping System	Hydraulic Dump			
		Type	Power Package	Gear Pump	
		Max. Speed	2300rpm	2700rpm	
	Max. Discharge	12.2L/min	12L/min		
	Relief Pressure	13.7MPa(140kgf/cm ²)	14.7MPa(150kgf/cm ²)		
	Cylinder(Bore×Stroke)	60×300mm			
		Max. Angle	67°	90°	
	Performance	Lifting Time	approx. 6.2Sec	approx. 6.3Sec	
		Lowering Time	approx. 3.8Sec	approx. 5.1Sec	
	Hydraulic Fluid Capacity	1.6L			
Swivel System	-				
Swiveling Angle	90° (Right/Left)				
Swiveling Time	-				
Cylinder(Bore×Stroke)	-				

* () indicates models without ROPS.

*These specifications are subject to change without notice.

RAW CONCRETE

DK SC75 SC45

Carrier for raw concrete

Outstanding off road, on steep slopes and soft ground. Depending on job site conditions, you can walk behind or ride on the step to maneuver the machine.



[CONCRETE SUNAO]

SC75

Swivel Dump 1-way Dump

Max. Output **22PS**
Max. Payload **750kg**



Plastic bucket
Compared with a steel bucket, there is no possibility of corrosion due to the strong alkaline substances in raw concrete.



HST system operation
Move forward, backward, left, right with single steering lever.

Other

- 22PS high-performance gasoline engine
- Easy 90° dump
- Easy engine inspection and refueling etc.

Specifications

Model and Type	SC75			
	1-way Dump		Swivel Dump	
	Plastic Bucket	Steel Bucket	Plastic Bucket	Steel Bucket
Machine Mass	640kg	695kg	715kg	755kg
Maximum Payload	7.35kN(750kgf)			
Dimensions	Overall Length	2695mm	2555mm	2730mm
	Overall Width	900mm		
	Overall Height	1510mm		1370mm
	Track Contact Length	965mm		
	Track Gauge	700mm		
	Ground Clearance	120mm		
Loading Bucket	Loading Bucket Height	450mm	435mm	575mm
	Inside Dimensions	Length	1295mm	1100mm
		Width	765mm	810mm
		Height	540mm	400mm
Volume	0.41m ³	0.33m ³	0.41m ³	0.33m ³
Engine	Model	EH65DS		
	Type	Air-cooled 4-cycle V-twin Gasoline		
	Cylinder (Bore×Stroke)	80×65mm		
	Displacement	653cm ³		
	Maximum Output	16.4kW(22.0PS)		
	Maximum Torque	45.6N·m(4.65kgf·m)		
	Starter System	Electric		
	Fuel	Automotive Unleaded Gasoline		
	Fuel Consumption	310g/kW·h(230g/PS·h)		
	Fuel Tank Capacity	20L		
	Oil Capacity	1.4L[1.55L; including oil filter]		
	Ignition	Electronic Ignition		
	Electrical	Battery Type	40B19R	
Battery Capacity		12V/28AH		
Working Lamp		12V/18.4W	12V/55W	
Performance		Speed	0 - 4.0km/h	
Drive Train	Minimum Turning Radius	1.5m		
	Gradability	20° (Unloaded)		
	HST Oil Capacity	23L		
	Dumping System	Main Transmission	Twin HST	
Steering		Twin HST, 1 Lever		
Brakes		Internally Expanding		
Track Size		200m		
Hydraulic Pump	Transmission Oil Capacity	2.0L		
	Type	Hydraulic Dump		
	Max. Speed	2300rpm		
	Max. Discharge	17.6L/min		
	Relief Pressure	9.8MPa (1421psi)		
	Cylinder(Bore×Stroke)	60×400mm		
Performance	Max. Angle	90°		
	Lifting Time	4.0Sec		
	Lowering Time	3.4Sec		
Turning Angle	—		90° (Right/Left)	
Hydraulic Fluid Capacity	Shared with HST System			

*These specifications are subject to change without notice.

[WHITE CANY]

SC45

1-way Dump

Rated Output **6.3PS**
Max. Payload **450kg**



Used in narrow job sites

Transport wet concrete easily for civil engineering and construction jobs.



Solid plastic bucket
Resistant to solid concrete mix. Easy to clean and maintain.



Low speed selectable
Low speed option. Travel with confidence even in narrow areas at 0.25km/hr.

Other

- Outstanding compactness at 740mm, smooth mobility.
- Easy dump at 90°
- Six forward gears, two reverse

Specifications

Model and Type	SC45			
	1-way Dump			
	Plastic Bucket			
Machine Mass	210kg			
Maximum Payload	4.41kN(450kgf)			
Dimensions	Overall Length	2080 (1970) mm		
	Overall Width	740mm		
	Overall Height	935 (1010) mm		
	Track Contact Length	740mm		
	Crawler Tread	495mm		
	Crawler Width	180mm		
	Ground Clearance	90mm		
	Loading Bucket Height	405mm		
	Loading Bucket	Inside Dimensions	Length	1245mm
			Width	730mm
Height			420mm	
Volume		0.27m ³		
Engine	Model	Mitsubishi GB180		
	Type	Air-cooled 4-cycle Gasoline, single cylinder		
	Cylinder (Bore×Stroke)	68×50(2.68×1.97)mm		
	Displacement	181cm ³		
	Rated Output	4.6kW(6.3PS)		
	Maximum Torque	23.1N·m(2.36kgf·m)		
	Starter System	Electric [Recoil]		
	Fuel	Automotive Unleaded Gasoline		
	Fuel Consumption	320g/kW·h(239g/PS·h)		
	Fuel Tank Capacity	3.6L		
	Oil Capacity	0.6L		
	Ignition System	Electronic		
	Spark Plugg	NGK BP6HS		
Electrical	Battery Type	30A19R [-]		
	Voltage	12 [-]		
	Battery Capacity, 5hr rate	21 [-]		
	Performance	Speed	Forward(6stage)	0.5 - 5.3km/h
Drive Train		Reverse(2stage)	0.7 - 2.5km/h	
	Minimum Turning Radius	1.2m		
	Gradability	20° (Unloaded)		
	Cultch	Belt Tension		
Dumping System	Main Transmission	Gear Slide		
	Auxiliary Transmission	Gear Slide		
	Steering Mechanism	Dog Clutch		
	Brake	Internally Expanding		
Performance	Transmission Oil Capacity	1.5L		
	System	Hydraulic Dump		
	Pump Type	Gear Pump		
	Rated Discharge	3.85L/min		
	Relief Pressure	13.7MPa(140kgf/cm ²)		
	Cylinder(Bore×Stroke)	55×200mm		
Dumping System	Hydraulic Fluid Capacity	0.6L		
	Dump Angle	90°		
	Lift Speed(up)	6.2Sec		
	Lift Speed(down)	4.6Sec		

[] indicates when handle lever is in the high position.

[] indicates the recoil start model. *These specifications are subject to change without notice.

[PINKLADY]

BFP602

1-way Dump

Max. Output **6.3PS**
Max. Payload **450kg**



Easy to transport

Work easily on rough and uneven surfaces.



Hydraulic dump
Hydraulic lever to facilitate the dumping (hydraulic model)



Front transmission
The transmission is located at the front of the machine for optimal weight distribution and balance.



3-way folding door
Increased load capacity. Horizontal lock.

Slide Frame

Adjustable to accommodate a variety of load sizes.

Specifications

Model and Type	BFP602			
	1-way Dump			
	Slide Frame	3-way Opening Door Bucket	Scoop Bucket	
Machine Mass	190kg	210(225)kg		
Maximum Payload	4.41kN(450kgf)			
Dimensions	Overall Length	1830(1940)mm	1850mm	
	Overall Width	780(1175)mm	830mm	
	Overall Height	1020mm		
	Track Contact Length	675mm		
	Track Tread	540mm		
	Track Width	180mm		
	Ground Clearance	110mm		
	Loading Bucket Height	400mm	395mm	435(450)mm
	Loading Bucket	Inside Dimensions	Length	1040(1150)mm
			Width	720(1100)mm
Height			420mm	
Volume		0.27m ³	0.27m ³	0.27m ³
Engine	Model	Mitsubishi GB180		
	Type	Air-cooled 4-cycle Gasoline, single cylinder		
	Cylinder (Bore×Stroke)	68×50mm		
	Displacement	181cm ³		
	Maximum Output	4.6kW(6.3PS)		
	Rated Output	3.4kW(4.7PS)		
	Maximum Torque	23.1N·m(2.36kgf·m)		
	Starter System	Recoil		
	Fuel	Automotive Unleaded Gasoline		
	Fuel Consumption	315g/kW·h(235g/PS·h)		
	Fuel Tank Capacity	3.6L		
	Oil Capacity	0.6L		
	Performance	Speed	Forward(3stage)	1.7 - 5.4km/h
		Reverse(2stage)	1.6 - 3.2km/h	
Minimum Turning Radius		1.25m	1.2m	
Gradability		25° (Unloaded) / 15° (Loaded)		
Drive Train	Clutch	Belt Tension		
	Main Transmission	Gear Slide		
	Steering Mechanism	Dog Clutch		
	Brake	Internally Expanding		
Bucket	Transmission Oil Capacity	1.5L		
	Dumping System	Manual Dump	Manual [Hydraulic] Dump	
	Dump Angle	55°	60°	

[] indicates the hydraulic dump model.

[] indicates when slide frames are extended.

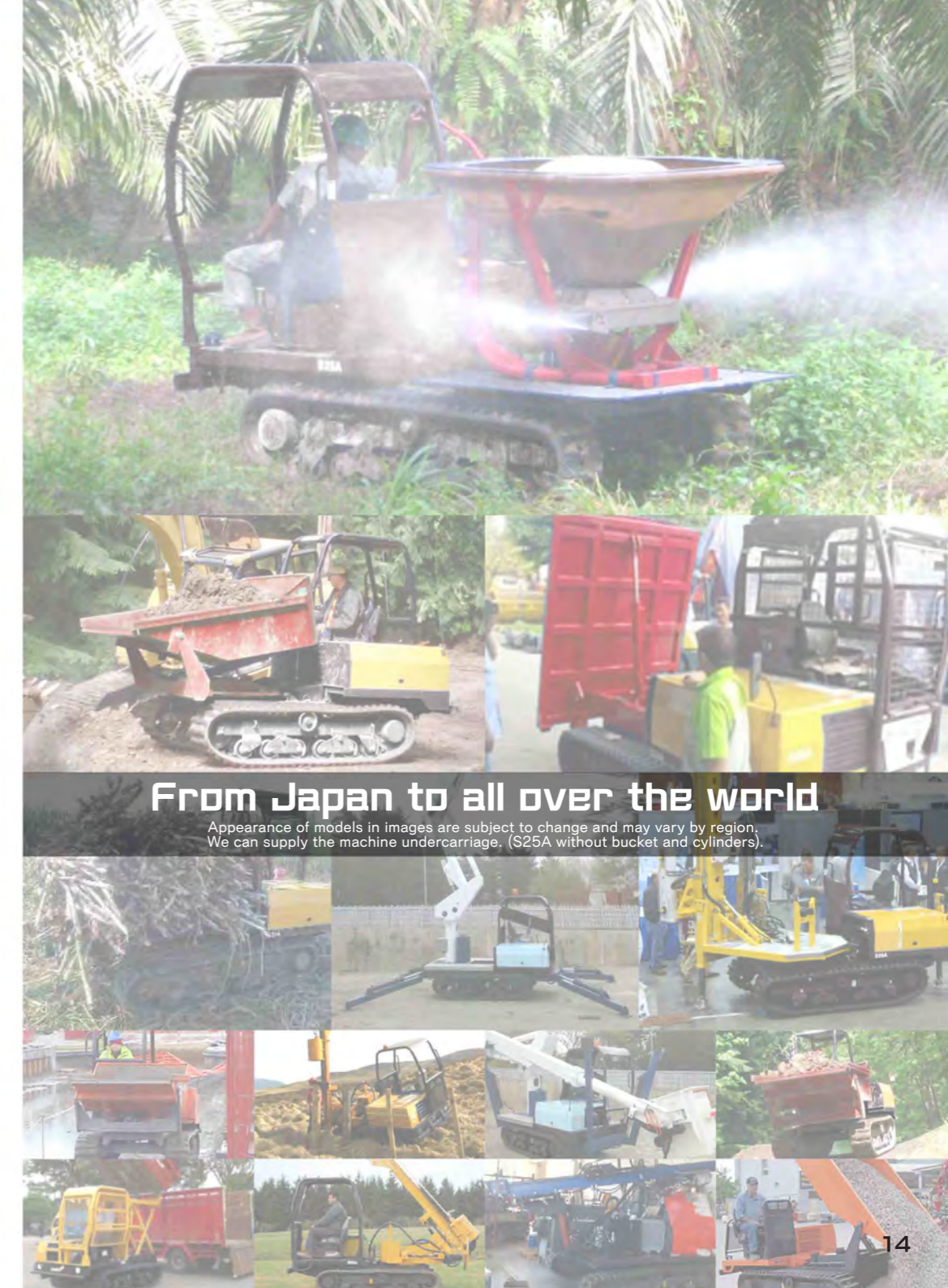
*These specifications are subject to change without notice.



Product Comparison

DUMPER ▶		Hydraulic dump model										Manual dump model		Manual / Hydraulic dump model		
		S25A			S160	S100		SC75				SC45	BFP602			
		1-way Dump	Swivel Dump		Swivel Dump	1-way Dump	Swivel Dump	1-way Dump		Swivel Dump		1-way Dump	1-way Dump			
3-way Opening Door Bucket	Scoop Bucket	Flat Bucket	Scoop Bucket	3-way Opening Door Bucket	Scoop Bucket	Plastic Bucket	Steel Bucket	Plastic Bucket	Steel Bucket	Scoop Bucket	Slide Frame	3-way Opening Door Bucket	Scoop Bucket			
Swedish steel bucket		—	●	●	—	—	—	—	—	—	—	—	—	—		
Turning Seat		●	●	●	—	—	—	—	—	—	—	—	—	—		
Swing track roller		●	●	●	●	●	●	●	●	●	●	—	—	—		
Twin HST		●	●	●	●	●	●	●	●	●	—	—	—	—		
"NAGARA" Super Slow Speed Transmission		—	—	—	—	—	—	—	—	—	●	—	—	—		
Deadman clutch		—	—	—	—	—	—	—	—	—	●	●	●	●		
Machine Mass		2230kg	2430kg	2480kg	1400[1310]kg	935[880]kg	965[910]kg	640kg	695kg	715kg	755kg	210kg	190kg	210[225]kg		
Maximum Payload		24.5kN(2500kgf)			15.7kN(1600kgf)	9.8kN(1000kgf)		7.35kN(750kgf)				4.41kN(450kgf)	4.41kN(450kgf)			
Overall Length		3295mm	3665mm	3385mm	2970[2850]mm	2840[2740]mm	2705[2595]mm	2695mm	2555mm	2730mm	2625mm	2080[1970]mm	1830[1940]mm	1850mm	1925mm	
Overall Width		1775mm			1130[1120]mm	1025[980]mm		900mm				740mm	780[1175]mm	830mm	780mm	
Overall Height		2370mm			2385[1575]mm	2345[1465]mm		1510mm		1370mm		935[1010]mm	1020mm			
Loading Bucket	Inside Dimensions	Length	1685mm	2155mm	1750mm	1475mm	1315mm	1340mm	1295mm	1100mm	1325mm	1185mm	1245mm	1040[1150]mm	1050mm	1190mm
		Width	1420mm	1300mm	1330mm	1010mm	890mm		765mm	810mm	785mm	800mm	730mm	720[1100]mm	745mm	735mm
		Height	370mm	495mm	420mm	550mm	495mm	490mm	540mm	400mm	545mm	410mm	420mm	420mm	185mm	200mm
Engine	Model	Kubota V2203			Kubota D1105-E3B	Kubota D722		EH65DS				Mitsubishi GB180	Mitsubishi GB180			
	Type	4-cycle, Water-cooled Diesel, in-line 4 cylinder			Water-cooled 4-cycle Diesel, in-line 3 cylinder	Water-cooled 4-cycle Diesel, in-line 3 cylinder		Air-cooled 4-cycle V-twin Gasoline				Air-cooled 4-cycle Gasoline, single cylinder	Air-cooled 4-cycle Gasoline, single cylinder			
	Displacement	2197cm ³			1123cm ³	719cm ³		653cm ³				181cm ³	181cm ³			
	Maximum Output	34.1kW (46.4PS)			15.1kW (20.5PS)	11.0kW (15.0PS)		16.4kW(22.0PS)				4.6kW(6.3PS)	4.6kW(6.3PS)			
	Maximum Torque	139.6N·m(14.2kgf·m)			70.3N·m(7.2kgf·m)	37.0N·m(3.8kgf·m)		45.6N·m(4.65kgf·m)				23.1N·m(2.36kgf·m)	23.1N·m(2.36kgf·m)			
Speed	High Speed / 0 - 11km/h Low Speed / 0 - 6km/h			0 - 7.0km/h	0 - 5.4km/h		0 - 4.0km/h				Forward(6stage) 0.5 - 5.3km/h Reverse(2stage) 0.7 - 2.5km/h	Forward(3stage)1.7 - 5.4km/h Reverse(2stage)1.6 - 3.2km/h				
Minimum Turning Radius	2.0m			3.2m	1.55m		1.5m				1.2m	1.25m	1.2m	1.21m		
Gradability	30° (Unloaded)			25° (Unloaded)	25° (Unloaded) / 15° (Loaded)		20° (Unloaded)				20° (Unloaded)	25° (Unloaded) / 15° (Loaded)				
Dumping Max. Angle	60°	85°	58°	90°	67°	90°	90°				90°	55°	60°	60[58]°		
Swiveling Angle	—	90° (Right/Left)		90° (Right/Left)	—	90° (Right/Left)	—				90° (Right/Left)	—	—	—		

* [] indicates models without ROPS. { } indicates when handle lever is in the high position. < > indicates when slide frames are extended. () indicates the hydraulic dump model. * These specifications are subject to change without notice.



From Japan to all over the world

Appearance of models in images are subject to change and may vary by region. We can supply the machine undercarriage. (S25A without bucket and cylinders).