

# Starburst 7x20w

*7x20w RGLAC LED Par*



*User Manual*

## Table of Contents

1. Introduction and Setup.....	3
Unpacking.....	3
In the Box:.....	3
Mounting and Operation.....	3
Safety Precautions.....	3
Customer Support.....	5
2. Setup and Operation.....	6
Using the LCD Menu and Buttons.....	6
Menu Operation.....	7
DMX Setup.....	8
DMX Basics.....	8
DMX Wiring.....	8
DMX Modes and Configuration.....	9
Setting the DMX Address:.....	10
3. Maintenance.....	11
Troubleshooting Problems.....	11
4. Technical Specifications.....	12
Photometric Reports.....	13

# 1. Introduction and Setup

## Unpacking

After receiving the device, please check whether any visible damage was caused during transport. If the power cord, housing or the light are damaged, do not operate the device. Contact your dealer or GAMMA LED Vision immediately.

Thank you for choosing our Starburst Par. This light is designed by high strength die-casting aluminum which is able to endure high temperatures, and is designed in a stylish form.

It uses high power Red, Green, Blue, Lime, Amber, and Cyan LED's for low power consumption, high brightness, and excellent colors. The Starburst par features DMX512 control, standalone, and sound-active modes.

For your own safety, please read this manual before installing or using the device. This manual covers the important information on installation and applications. Please install and operate the fixture with following instructions. Meanwhile, please keep this manual for future needs.

### In the Box:

Starburst Par LED -	1 pc
Power Cable -	1 pc
DMX Cable -	1 pc
User Manual -	1 pc

## Mounting and Operation

Use a clamp rated for the full weight of the Starburst Par to hang the fixture from the mount(s) on the fixture's yoke.

As an added safety measure be sure to attached at least one properly rated safety cable to the fixture using on of the safety cable rigging point integrated in the base assembly or on the yoke.

## Safety Precautions

Caution: For added protection mount the fixtures in areas outside walking paths, seating areas, or in areas were the fixture might be reached by unauthorized personnel.

Before mounting the fixture to any surface, make sure that the installation area can hold a minimum point load of 10 times the device's weight.

Fixture installation must always be secured with a secondary safety attachment, such as an appropriate safety cable. Use the included safety attachment point.

Never stand directly below the device when mounting, removing, or servicing the fixture.

From a ceiling, or set on a flat level surface (see illustration below). Be sure this fixture is kept at least 0.5m (1.5ft) away from any flammable materials (decoration etc.).

Always use and install the supplied safety cable as a safety measure to prevent accidental damage and/or injury in the event the clamp fails.

·Don't try to modify the fixture without any instruction by the manufacturer or the appointed repairing agencies.

·Warranty is voided if there are any malfunctions from not following the user manual while operating or any hazardous operation, like shock short circuit, electronic shock, lamp broken, etc.

## **Customer Support**

### WARRANTY POLICY

GAMMA LED Vision warrants its products for the periods set below from the date of purchase to be free of manufacturer and workmanship defects. Warranty does not cover normal wear and tear caused by force, negligence or misuse of products. GAMMA LED Vision is not responsible for any damages or injury caused by misuse or improper handling of the products and in accordance with instructions and specifications of manual.

Warranty terms are as follows:

LED Fixtures:

Indoor: 2 Years

Outdoor (IP 54 or higher): 1 Year

Lamp Fixtures: 1 year / excludes the lamp

LED Video Products:

Indoor: 2 Years

Outdoor (IP 54 or higher): 1 Year

Controllers: 2 years

Batteries: 6 months

All Trussing Related Products and Accessories: 1 Year

Please visit [WWW.GAMMALEDVISION.COM](http://WWW.GAMMALEDVISION.COM) for complete Limited Warranty terms and contact information.

## **2. Setup and Operation**

### **Using the LCD Menu and Buttons**

**MENU:** Access the menu

**DOWN:** Lower the selected value.

**UP:** Increase the selected value

**ENTER:** Confirm/Store the Current Selection.

**It's very important to press "Enter" to save changes before powering down the Starburst Par!**

## Menu Operation

Use the Menu Key to enter the menu. The chart below shows the main options and explains the settings:

Display	Value	Function
d001	001- 512	DMX512 address setting for 6-channel mode
A001	001- 512	DMX512 address setting for 10-channel mode
R255	000-255	Red
G255	000-255	Green
B255	000-255	Blue
u255	000-255	Lime
Y255	000-255	Amber
P255	000-255	Cyan
FH00	000-255	Strobe: speed from slow to fast
CL01	000-255	15 static color selections
CC01	01-08	Color Change: speed from slow to fast
DE01	01-99	Color Fade: speed from slow to fast
CP01	01-99	Color Pulse: speed from slow to fast
SU01	00-08	Sound control: Sensitivity from low to high.
	09	Sound Color Change

# DMX Setup

## DMX Basics

DMX512 stands for digital multiplex 512. This means that 512 channels are controlled digitally through 1 data cable.

A channel is a set of 255 steps that are assigned to control attributes in each light. This may be a color like red, green or blue, and intensity, strobe, pan/tilt or other attributes.

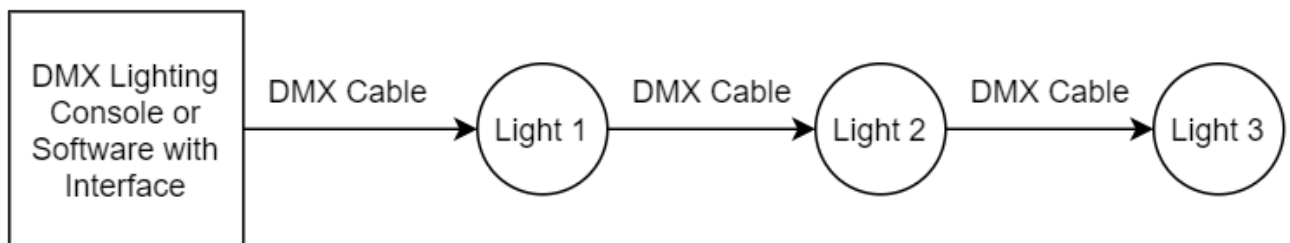
Multiple sets of 512 "universes" may be used. Only 1 universe will travel on a DMX cable, but through networked DMX (Art-Net or sACN E1.31), many universes can travel over a network.

## DMX Wiring

DMX works by connecting 1 or multiple lights to the output of a DMX lighting console or software with a DMX interface.

DMX lights connect in what is called a "daisy-chain". Your first DMX cable will plug it's male DMX connector into the female DMX connector on your lighting console. The remaining female connector will then connect to the DMX input on your first light.

You may then connect your next fixture to the output of your first light, and continue the chain.

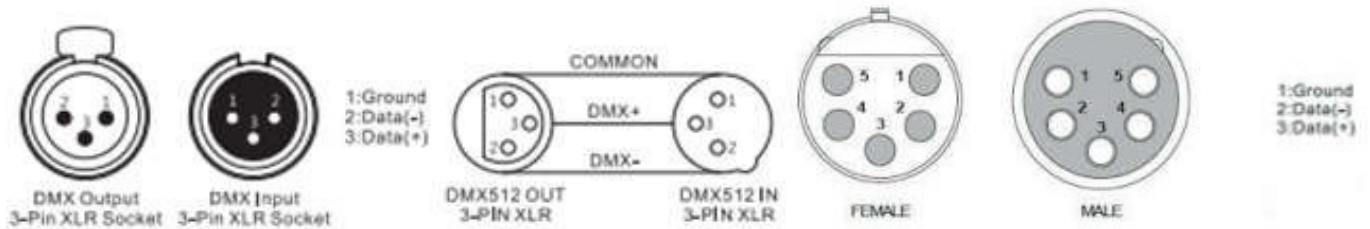


**32 Fixture Rule** – DMX only allows you to connect up to 32 fixtures in a single daisy chain for signal strength. Sometimes, depending on the fixtures and cable length, this number is less (or more).

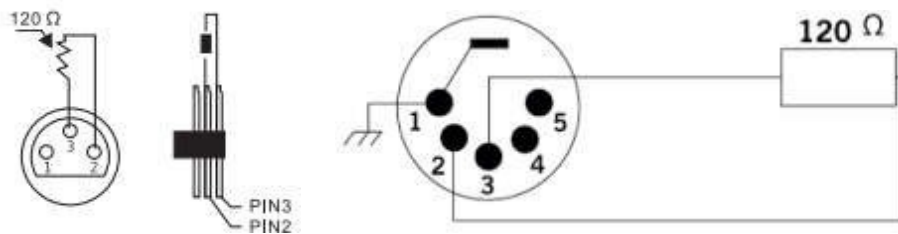
DMX Cables can be 3-pin or 5-pin. These use the same type of data, and in the 5-pin only pins 1, 2, and 3 are used. The cable should be a 2 conductor, shielded cable of at least 110 ohms resistance. Microphone cable is not DMX cable.



Please refer to the diagram below:



For installations where the DMX cable has to run a long distance or is in an electrically noisy environment, it is recommended to use a DMX terminator. This helps in preventing corruption of the digital control signal by electrical noise and reflections. The DMX terminator is simply an XLR plug with a  $120\ \Omega$  resistor connected between pins 2 and 3, which is then plugged into the output XLR socket of the last fixture in the chain. Please see illustrations below:



## DMX Modes and Configuration

The Starburst Par has multiple DMX modes, sometimes called "personalities", "profiles", or as we will use here "modes".

In general, modes with more DMX channels offer a greater level of control or options but take up more of your output channels on your lighting console or software.

Modes with less DMX channels often offer less control, but may be plenty for your needs. *Depending on your needs and control solution, you may not need channels for automated programs, strobes, or macros – your console may have great effects! In this case, you can use a lesser channel mode and fit more lights per DMX universe.*

View the DMX mode charts below to find the mode that best suits your needs.

### **DMX Channel Mode Sheet:**

On the left side of the sheet you will see the different modes and which channel corresponds to each function listed on the right in the given mode.

<b>6CH (d001)</b>	<b>10 CH (a001)</b>	<b>Function</b>	<b>Channel Value</b>	<b>Description</b>
	1	Master Dimmer	0-255	Intensity Control
1	2	Red	0-255	Red Control
2	3	Green	0-255	Green Control
3	4	Blue	0-255	Blue Control
4	5	Lime	0-255	Lime Control
5	6	Amber	0-255	Amber Control
6	7	Cyan	0-255	Cyan Control
	8	Strobe	0-255	Strobe: Slow to Fast
	9	Macros	0-50	DMX Mode
			51-100	Color Choose
			101-150	Color Change
			151-200	Color Fade
			201-250	Color Pulse
			251-255	Sound-Active Mode
	10	Macro Speed	0-255	Slow to Fast

### **Setting the DMX Address:**

Choose d001 in the menu for 6-channel mode, choose a001 for 10-channel mode. Press enter to select and then use the Up and Down keys to set the number for the DMX address. **Press Enter to confirm and save your mode and address.**

## **3. Maintenance**

### **Troubleshooting Problems**

The following are a few common problems that may occur during operation. Here are some suggestions for easy troubleshooting:

#### **A. The unit does not work:**

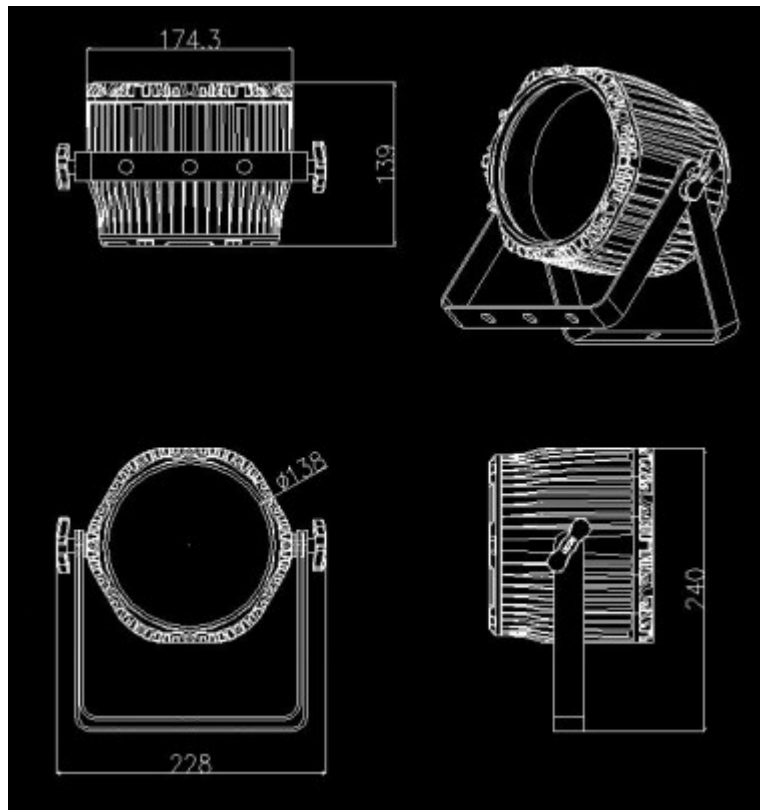
- Check that the unit is plugged in to a working power connector.
- Press the menu button to confirm that the unit is powered on. If the screen does not light up, the unit has no power.

#### **B. Not Responding to the DMX Controller**

- Check DMX cables to verify that they are plugged in and functional.
- Check the DMX address and mode – does it match the address and mode patched in the lighting console or software?
- Plug the light directly into the DMX controller with a cable that you know is good. Unplug all other lights – does it work?
- Try to use another DMX controller.

## 4. Technical Specifications

- ◆ Rated voltage: 100V-240VAC, 50/60Hz
- ◆ Power Consumption:160W
- ◆ LEDs: 7 \* 20 W RGBLAC (6 in 1)
- ◆ Lamp rated life: >50000 Hours
- ◆ Beam angle: 45 degree
- ◆ DMX512 Channels: 6 or 10 channel modes.
- ◆ Strobe: Independent electronic strobe, 0-20 times / second, the speed can be adjusted
- ◆ Control Mode: DMX512 control, Auto Run, Master/Slave, Sound-Active
- ◆ IP Rating: IP 44
- ◆ Dimensions: 6.89"x8.98"x5.47 , 175x228x139mm
- ◆ Weight: 7lbs, 3.18kg
- ◆ Certification: CE, RoHS

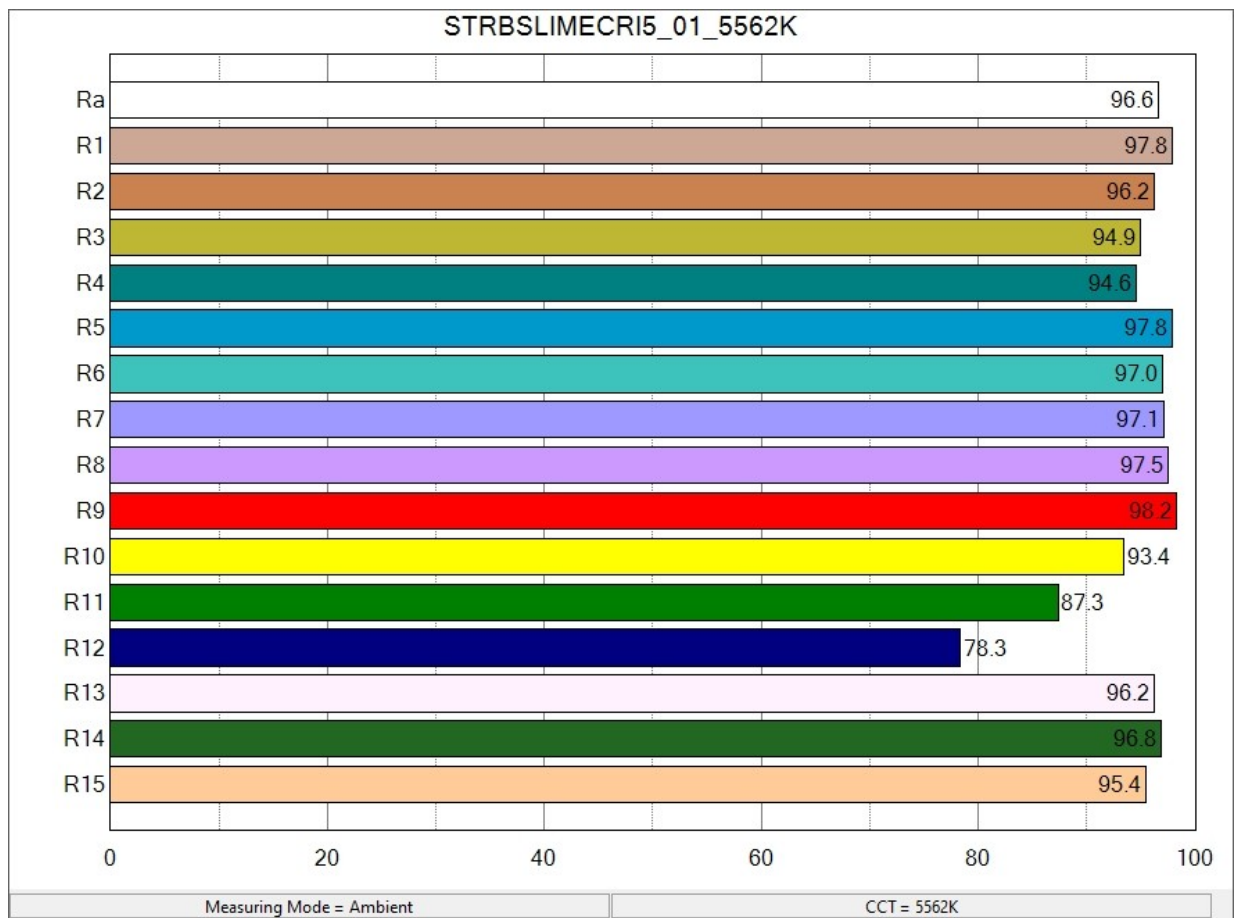


## Photometric Reports

Center Intensity measured in FC, both full brightness and high CRI tuned measurements:

Distance in Feet	Full Intensity	High CRI
5	356	253
10	91	71
15	42	32
20	23	19
25	17	14

### CRI at 5563k – CRI 96



DMX Values for High CRI:

Red: 144

Green: 255

Blue: 255

Cyan: 111

Amber: 195

Lime: 166

**TM30: 5563k, same values as above.**

