

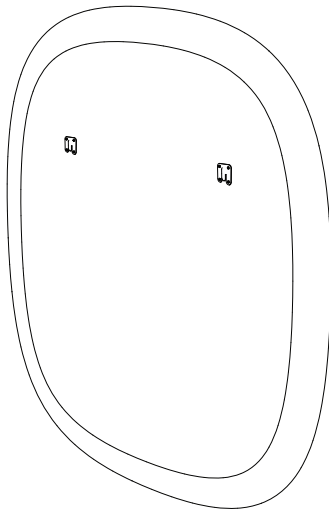
Window Mirror

Ash | Oak | Walnut

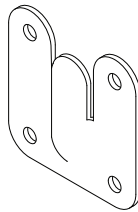
Designed by Gabriel Tan

Handcrafted by Carlos Barbosa

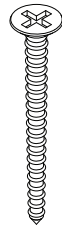
1



2



3



4

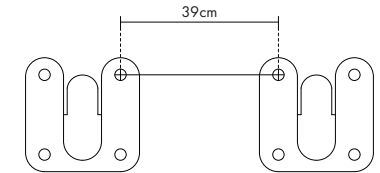


Components

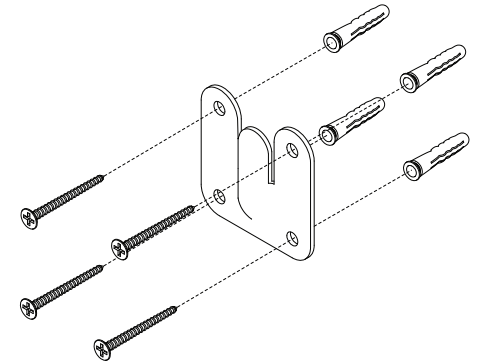
- 1 — Window Mirror
- 2 — Mounting Brackets x2
- 3 — Screws x8
- 4 — Wall Plugs x8

Instructions

1. Take one of the provided mounting brackets and mark the placement of the screws. Once you have the 4 marks for the first bracket, leave a 39cm gap between the center of the top right hole to the center of the top left hole of the next one. Use a spirit level for the proper placement of the brackets.



2. Drill the holes on the wall and insert the wall plugs. The provided plugs are suitable for drywall and concrete wall. Make sure to use the appropriate plugs and screws for your type of wall. Once the plugs are in, screw the mounting brackets in place.



3. Hang the mirror securely on the wall.

