

TP, TPD, TPE, TPE2, TPE2 D, TPE3, TPE3 D

In-line circulator pumps
60 Hz



1. Pump data	4	10. TPE3	39
Introduction	4	Technical data	39
Identification	6	Construction	39
2. Performance range	9	Materials	39
Performance range, TPE2, TPE3, PN 6, 10, 16	9	Applications	40
Performance range, TPE2 D, TPE3 D, twin-head operation, PN 6, 10, 16	10	Multipump system	42
Performance range, 2-pole, PN 6, 10, 16	11	Control options	42
Performance range, 2-pole, PN 25	12	11. User interfaces for TPE pumps	43
Performance range, 4-pole, PN 6, 10, 16	13	Control panel for TPE2 and TPE Series 1000 pumps	43
Performance range, 4-pole, PN 25	14	Setpoint setting	44
3. Product range	15	Advanced control panel for TPE3	46
Product range, TPE2, TPE2 D, TPE3, TPE3 D	15	Grundfos GO	51
Product range, 2-pole, PN 6, 10, 16, 25	16	Description of selected functions	55
Product range, 4-pole, PN 6, 10, 16, 25	18	Priority of settings	85
4. Operating conditions	21	Grundfos Eye	86
System and test pressures	21	Signal relays	88
Sound pressure level	21	Safe Torque off (STO) function	90
Ambient temperature	21	12. Factory settings of E-pumps	91
Installation altitude	22	13. Communication	92
5. Pumped liquids	23	Communication with TPE2, TPE2 D, TPE3, TPE3 D, TPE pumps	92
Pumped liquids	23	14. Speed regulation of TPE, TPE2, TPE2 D, TPE3, TPE3 D pumps	93
6. TP Series 200 pumps	27	Affinity equations	93
Technical data	27	15. Control of pumps in parallel	94
Construction	27	Alternation/standby function	94
Materials	27	Pumps connected to Control MPC	94
Mechanical shaft seal	28	Pumps connected to Control MPC Series 2000	95
Connections	28	16. Grundfos CUE	96
Features and benefits	28	TP pumps connected to Grundfos CUE, external frequency converters	96
7. TP Series 300 pumps	29	17. Grundfos GO Link	97
Technical data	29	Communication	97
Construction	29	Ethernet	97
Materials	30	Grundfos MI 301	97
Mechanical shaft seal	30	Grundfos PC Tool Link	97
Connections	31	18. Motor data	98
Features and benefits	31	Motor	98
8. TPE Series 1000 pumps	32	19. Installation	99
Technical data	32	Mechanical installation	99
Construction	32	Electrical installation	104
Applications	32		
Control options	34		
9. TPE2	35		
Technical data	35		
Construction	35		
Materials	35		
Applications	36		
Multipump system	38		
Control options	38		

20. Motors for TPE2, TPE2 D, TPE3, TPE3 D pumps and 2.2 - 11 kW 2-pole motors and 1.5 - 7.5 kW 4-pole motors fitted on TPE Series 1000 pumps.	105	Grundfos GO	211
Single-phase supply voltage.	105	CIU communication interface units	212
Three-phase supply voltage	105	CIM communication interface modules.	212
Inputs and outputs	105	Antennas and battery	213
EMC, electromagnetic compatibility.	107	EMC filter.	213
Enclosure class	107	28. Minimum inlet pressure - NPSH	214
Insulation class.	107	TPE2, TPE2 D, TPE3, TPE3 D	215
Ambient temperature.	107	TP, TPE, TPD 2-pole, PN 6, 10, 16, 25	216
Standby power consumption	107	TP, TPE, TPD 4-pole, PN 6, 10, 16, 25	217
Cable entries	107	29. Key application data	219
Sound pressure level.	107	Operating conditions	220
Motor protection	108	30. Grundfos Product Center	222
Additional protection	108		
Maximum number of starts and stops	109		
Wiring diagrams	109		
Connection terminals.	109		
21. MGE motors, 11 to 18.5 kW, 4-pole, and 15 to 22 kW, 2-pole.	112		
Supply voltage	112		
Inputs and outputs	113		
Other technical data	114		
22. Flange forces	120		
23. Flanges for TP pumps	121		
Flange dimensions	121		
24. Curve charts	122		
How to read the curve charts	122		
Curve conditions.	123		
25. Performance curves and technical data.	124		
TPE2, TPE2 D, TPE3, TPE3 D, PN 6, 10, 16	124		
TP, TPD, TPE, 2-pole, PN 6, 10, 16, 25	136		
TP, TPD, TPE, 4-pole, PN 6, 10, 16, 25	154		
26. Minimum efficiency index	190		
TPE2, TPE2 D, TPE3, TPE3 D	190		
TP, TPD, TPE, 2-pole, PN 6, 10, 16.	190		
TP, TPD, TPE, 4-pole, PN 6, 10, 16.	191		
TP, PN 25	194		
27. Accessories	195		
Adapter flanges for various port-to-port lengths.	197		
Base plates	198		
Blanking flanges	201		
Insulating kits	204		
Sensors.	205		
External Grundfos sensors.	209		
MP 204, advanced motor protection	210		
Control MP 204	211		
Potentiometer.	211		

1. Pump data

Introduction

TP pumps are designed for applications such as:

- district heating systems
- heating systems
- air-conditioning systems
- district cooling systems
- water supply
- industrial processes
- industrial cooling.

The pumps are available with either mains-operated motors (TP and TPD) or electronically speed-controlled motors (TPE, TPE2, TPE2 D, TPE3, TPE3 D).

The pumps are all single-stage, in-line centrifugal pumps with mechanical shaft seal. The pumps are of the close-coupled type, that is the pump and the motor are separate units.

TP pumps - mains-operated pumps

The TP range is divided into two groups based on their construction: TP Series 200 and 300 pumps.

TP Series 200 with flange connection

DN 32 to DN 100 and motor sizes from 0.12 to 3 kW.

For further information, see section TP Series 200 pumps.

TP Series 300 with flange connection

We offer two versions:

- 16-bar version with DN 32 to DN 350 flanges and motor sizes from 0.55 to 250 kW
- 25-bar version with DN 100 to DN 350 flanges and motor sizes from 7.5 to 250 kW.

For further information, see section TP Series 300 pumps.

Related information

[6. TP Series 200 pumps](#)

[7. TP Series 300 pumps](#)

TPE, TPE2 and TPE3 speed-controlled pumps

We offer the following speed-controlled pumps which are based on the construction and choice of material of the TP pumps:

- TPE Series 1000 pumps without factory-fitted differential-pressure sensor.
- TPE2 pumps without built-in differential-pressure sensor and temperature sensor.
- TPE3 pumps with built-in differential-pressure sensor and temperature sensor.

All pumps up to 22 kW are fitted with Grundfos permanent-magnet MGE motors with motor efficiency class IE5 according to IEC 60034-30-2.

TPE Series 1000 pumps

The motors have a built-in frequency converter.

Via an external signal from a sensor or a controller, the pumps allow for any configuration and control method required, that is constant pressure, temperature or flow.

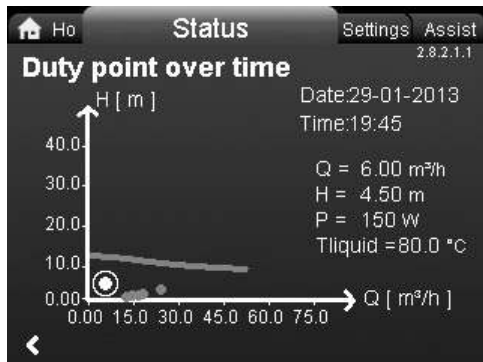
For further information, see section TPE Series 1000 pumps.

TPE2 pumps

The permanent-magnet motors have a built-in frequency converter and the hydraulic components have been specially designed for optimum efficiency.

Via an external signal from a sensor or a controller, the pumps allow for any configuration and control method required, that is constant pressure, temperature, flow or level. For further information, see section TPE2.

TPE3 pumps



TM060883

Example of status display for TPE3 pumps

The pumps have a built-in differential-pressure sensor and temperature sensor.

The pumps are factory-set to AUTOADAPT control.

The permanent-magnet motors of the pumps have a built-in frequency converter for continuous adjustment of the pressure to the flow rate. The hydraulic components have been specially designed for optimum efficiency.

The range is recognised as a preset solution for quick and safe installation. The pumps have a colour display for easy and intuitive pump setup and with full access to all functions. The pumps incorporate the following advanced functions:

- AUTOADAPT
- FLOWADAPT
- automatic night setback
- FLOWLIMIT
- heat energy monitor
- flow rate estimation
- proportional pressure
- constant pressure
- constant differential temperature control
- constant temperature control.

For further information, see section TPE3.

Why select a TPE pump

A pump with electronic speed control offers these benefits:

- energy savings
- increased comfort
- control and monitoring of pump performance
- communication with the pump.

ATEX-approved TP pumps

On request, Grundfos offers TP and TPD pumps with ATEX-approval.

See section Key application data.

High-efficiency motors, IE3 and IE4

TP pumps are fitted with high-efficiency motors.

The pumps are primarily fitted with motors that meet the legislative requirements of the EuP IE3 grade.

Pumps from 75 kW to 200 kW are fitted with motors that meet the legislative requirements of the EuP IE4 grade.

Energy-optimised pumps

TP pumps are energy-optimised and comply with the EuP Directive (Commission Regulation (EC) No 547/2012) in which most pumps are classified or graduated in an energy efficiency index, MEI. See also section Minimum efficiency index.

Related information

[8. TPE Series 1000 pumps](#)

[9. TPE2](#)

[Motor](#)

[26. Minimum efficiency index](#)

[29. Key application data](#)

Identification

Type key for TP, TPD, TPE, TPED

Example: TPED 65-120/2 S-A-F-A-BQQE-GDB

Code	Type	Explanation
TP		Pump range
E		Electronically speed-controlled pump, Series 1000, 2000
D		Twin-head pump
65		Nominal diameter of inlet and outlet ports, DN
-120		Maximum head [dm]
/2		Pole number
Code for pump with sensor version:		
S	[Blank]	TPE Series 1000 with MGE motor and without sensor
	S	TPE Series 2000 with factory-fitted differential-pressure sensor
	NC	TPE Series 1000 with Siemens/Nidec motor with integrated CUE
	SC	TPE Series 2000 with built-in differential-pressure sensor and Siemens/Nidec motor with integrated CUE
Code for pump version. The codes may be combined:		
-A	A	Basic version
	A3	PN 25 flange
	B	Oversize motor
	E	With ATEX approval, certificate or test report, the second character of the code for pump version is an E
	I	PN 6 flange
	X	Special version
Code for pipe connection:		
-F	F	DIN flange
	O	Union
Code for materials:		
-A	A	Basic version
	I	Stainless steel 1.4308 pump housing and motor stool
	Z	Bronze pump housing and motor stool
	B	Bronze impeller
	S	Stainless steel 1.4408 impeller
	O	Ductile cast-iron pump housing with cast-iron impeller
	Y	Ductile cast-iron pump housing with bronze impeller
	Q	Ductile cast-iron pump housing with stainless steel 1.4408 impeller
-BQQE		Code for shaft seal including other plastic and rubber pump parts, except the neck ring. See section Codes for shaft seal.
-G		Code for rated motor power [kW]. See section Codes for rated motor power.
D		Code for phase and voltage [V] or other information. See section Codes for phase and voltage or other information.
B		Code for speed variant [rpm]. See section Codes for speed variant.

Related information

[Codes for shaft seal](#)

[Codes for rated motor power](#)

[Codes for phase and voltage or other information](#)

[Codes for speed variant](#)

Type key for TPE2, TPE3**Example: TPE3 D 65-120 S-A-F-A-BQQE-FAB**

Code	Type	Explanation
		Pump range, electronically speed-controlled pump
TPE3	TPE2	Without built-in sensor
	TPE3	Built-in differential-pressure and temperature sensor
D		Twin-head pump
65		Nominal diameter of inlet and outlet ports, DN
-120		Maximum head [dm]
S	S	Built-in differential-pressure and temperature sensor
	N	Without built-in sensor
		Code for pump version:
-A	A	Basic version
	I	PN 6 flange
	X	Special version
		Code for pipe connection:
-F	F	DIN flange
		Code for materials:
-A	A	Basic version
	I	Stainless steel 1.4308 pump housing and motor stool
-BQQE		Code for shaft seal including other plastic and rubber pump parts, except the neck ring. See section Codes for shaft seal.
-F		Code for rated motor power [kW]. See section Codes for rated motor power.
A		Code for phase and voltage [V] or other information. See section Codes for phase and voltage or other information.
B		Code for speed variant [rpm]. See section Codes for speed variant.

Related information[Codes for shaft seal](#)[Codes for rated motor power](#)[Codes for phase and voltage or other information](#)[Codes for speed variant](#)

Codes for shaft seal

Example: BQQE

Code	Type	Explanation
		Grundfos type designation
B	A	O-ring seal with fixed seal driver
	B	Rubber bellows seal
	D	O-ring seal, balanced
	G	Bellows seal with reduced seal faces
	R	O-ring seal with reduced seal faces
		Material of rotating face
Q	A	Carbon, antimony-impregnated
	B	Carbon, resin-impregnated
	Q	Silicon carbide
		Material of stationary seat
Q	B	Carbon, resin-impregnated
	Q	Silicon carbide
	U	Tungsten carbide
		Material of secondary seal
E	E	EPDM
	P	NBR rubber
	V	FKM
	F	FXM

Codes for rated motor power

Code	Description	
	[hp]	[kW]
A	0.16	0.12
B	0.25	0.18
C	0.33	0.25
D	0.5	0.37
E	0.75	0.55
F	1	0.75
G	1.5	1.1
H	2	1.5
I	3	2.2
J	4	3
K	5 (5.5 ¹)	3.7 (4 ¹)
L	7.5	5.5
M	10	7.5
N	15	11
O	20	15
P	25	18.5
Q	30	22
R	40	30
S	50	37
T	60	45
U	75	55
V	100	75
W	125	90
X	Bare shaft pump	
Y	> 200 ²	> 150 ²
1	150	110

Code	Description	
	[hp]	[kW]
2	175	132
3	200	150
4	215 ³	160 ³
5	250 ³	185 ³

- 1) Value in bracket is for the standard IEC motor size. Value outside bracket is for the motor size according to NEMA standards.
- 2) Used for pumps where the pump shaft input power exceeds 200 hp (150 kW) and is not regulated under the DOE pump rule.
- 3) Special cases with power sizes above 200 hp (150 kW) which are still regulated under the DOE pump rule. For example: Pump has a P2 value of 198 hp (147.6 kW) in its duty point (in DOE scope) but customer wants the 215 hp (160 kW) motor instead of the 200 hp (150 kW). The pump is in scope of the DOE regulation and requires a PEI value and a motor code.

Codes for phase and voltage or other information

Code	Description
A	E-motor (ECM ⁴), 1 x 200-240 V
B	E-motor (ECM ⁴), 3 x 200-240 V
C	E-motor (ECM ⁴), 3 x 440-480 V
D	E-motor (ECM ⁴), 3 x 380-500 V
V	Intended for use with external VFD only, asynchronous motor
W	Not for sale in North America
X	No motor or US DOE regulated motor (CC marked motor)
Y	Out of DOE scope
Z	E-motor, asynchronous motor

- 4) ECM: Electronically Commutated Motor.

Codes for speed variant

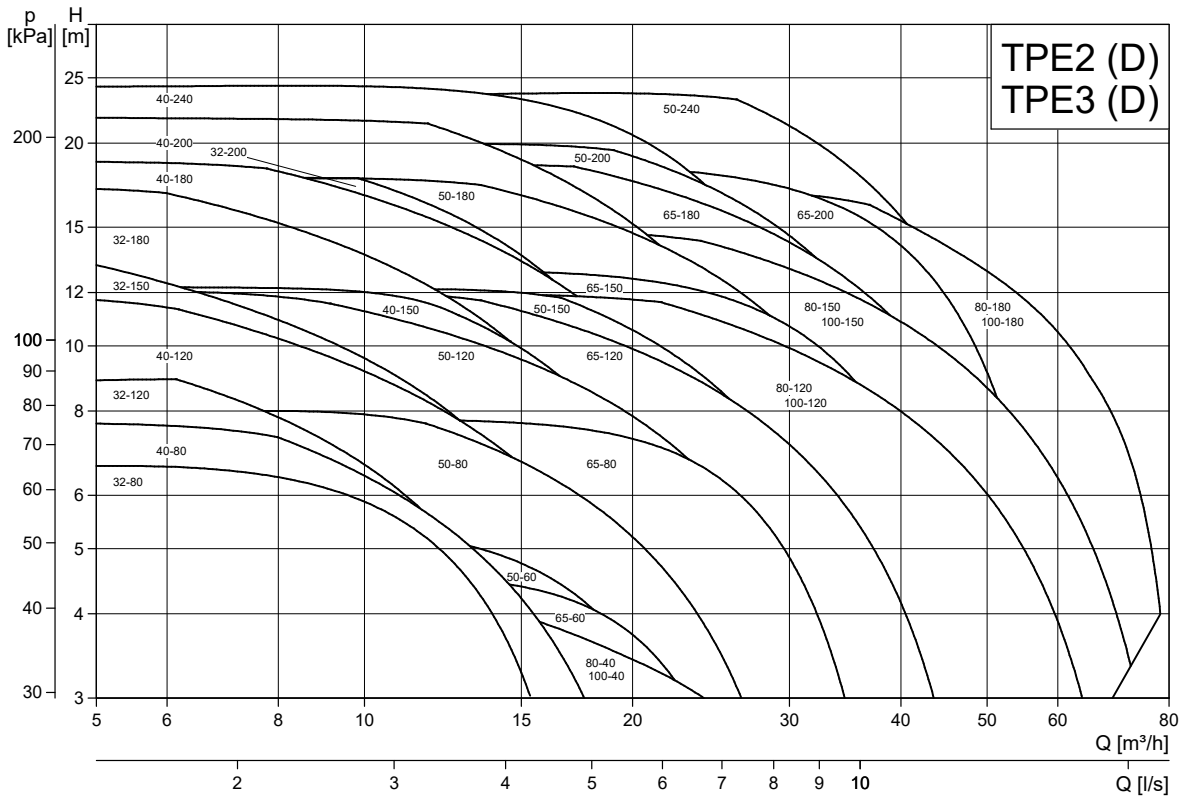
Code	Description
A	1450-2200 RPM, E-motor (ECM ⁵)
B	2900-4000 RPM, E-motor (ECM ⁵)
C	4000-5900 RPM, E-motor (ECM ⁵)
1	2-pole, 50 Hz (Asynchronous motor)
2	2-pole, 60 Hz (Asynchronous motor)
3	4-pole, 50 Hz (Asynchronous motor)
4	4-pole, 60 Hz (Asynchronous motor)
5	6-pole, 50 Hz (Asynchronous motor)
6	6-pole, 60 Hz (Asynchronous motor)
7	8-pole, 50 Hz (Asynchronous motor)
8	8-pole, 50 Hz (Asynchronous motor)

- 5) ECM: Electronically Commutated Motor.

2. Performance range

Performance range, TPE2, TPE3, PN 6, 10, 16

See section Performance curves and technical data for performance curves.



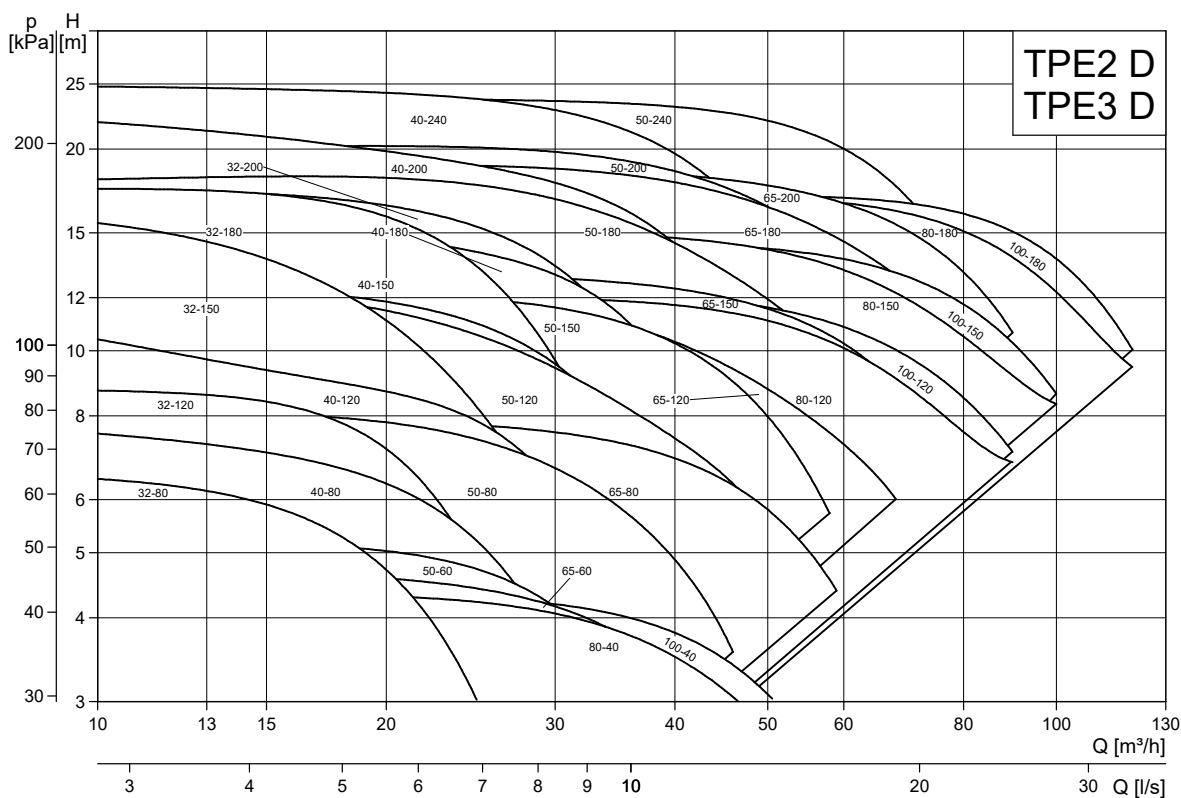
TM058177

Related information

[TPE2](#), [TPE2 D](#), [TPE3](#), [TPE3 D](#), [PN 6](#), [10](#), [16](#)

Performance range, TPE2 D, TPE3 D, twin-head operation, PN 6, 10, 16

See section Performance curves and technical data for performance curves.



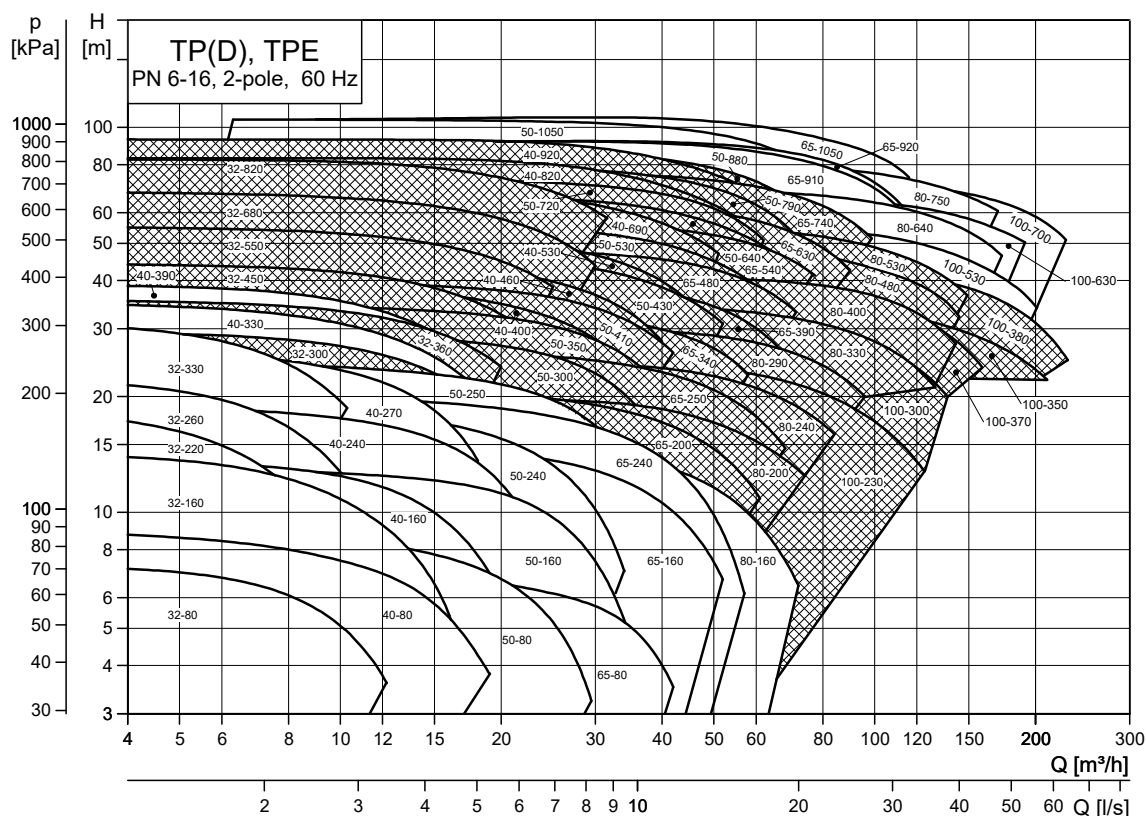
TM058198

Related information

[TPE2](#), [TPE2 D](#), [TPE3](#), [TPE3 D](#), [PN 6](#), [10](#), [16](#)

Performance range, 2-pole, PN 6, 10, 16

See section Performance curves and technical data for performance curves.



TM025101

Note: All QH curves apply to single-head pumps. For further information about curve conditions, see section Curve conditions.

The hatched area shows the performance range of TPE pumps.

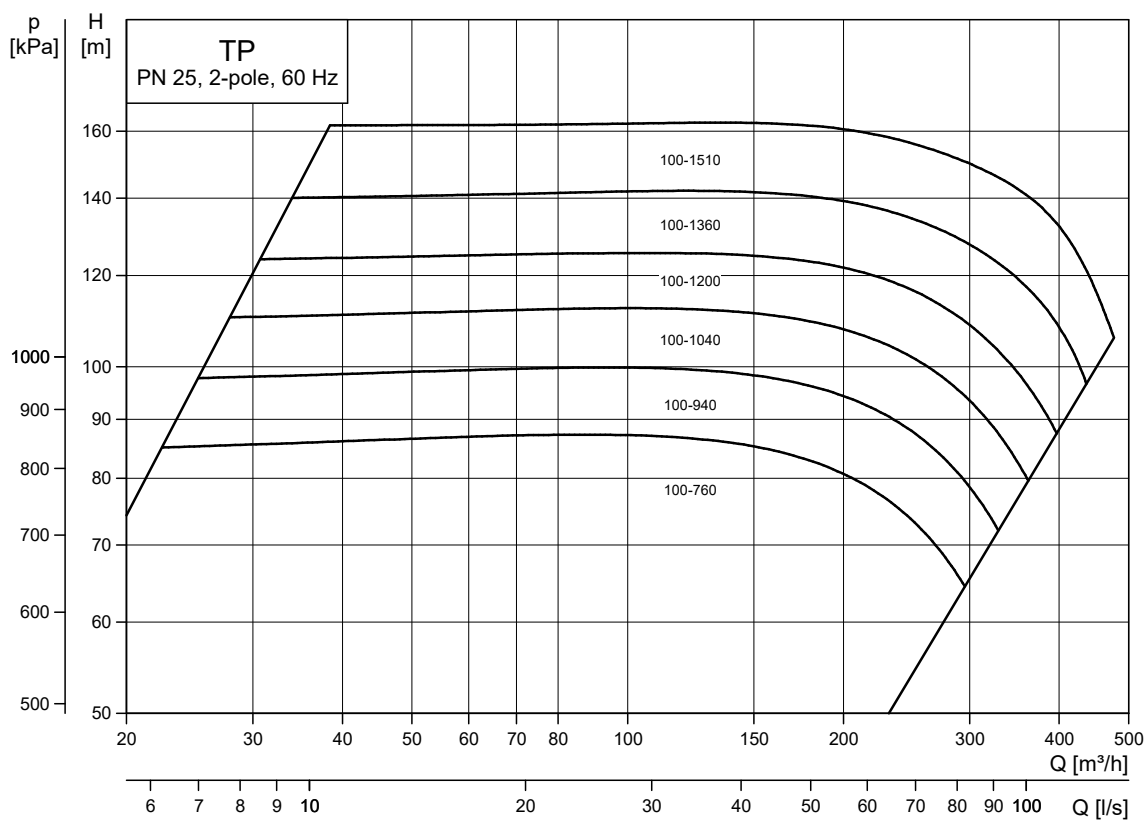
Related information

[Curve conditions](#)

[TPE2, TPE2 D, TPE3, TPE3 D, PN 6, 10, 16](#)

Performance range, 2-pole, PN 25

See section Performance curves and technical data for performance curves.



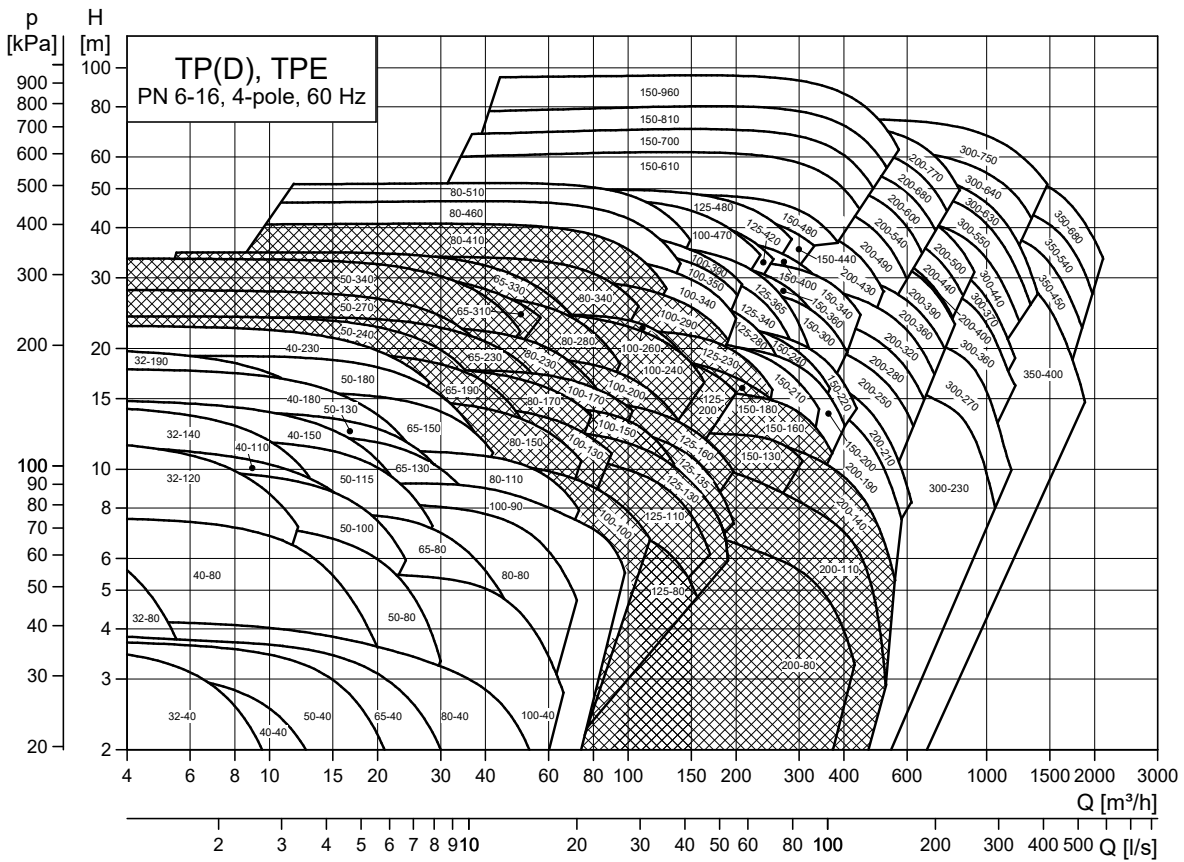
TM066534

Related information

[TPE2](#), [TPE2 D](#), [TPE3](#), [TPE3 D](#), [PN 6](#), [10](#), [16](#)

Performance range, 4-pole, PN 6, 10, 16

See section Performance curves and technical data for performance curves.



TM028931

Note: All QH curves apply to single-head pumps. For further information about curve conditions, see section Curve conditions.

The hatched area shows the performance range of TPE pumps.

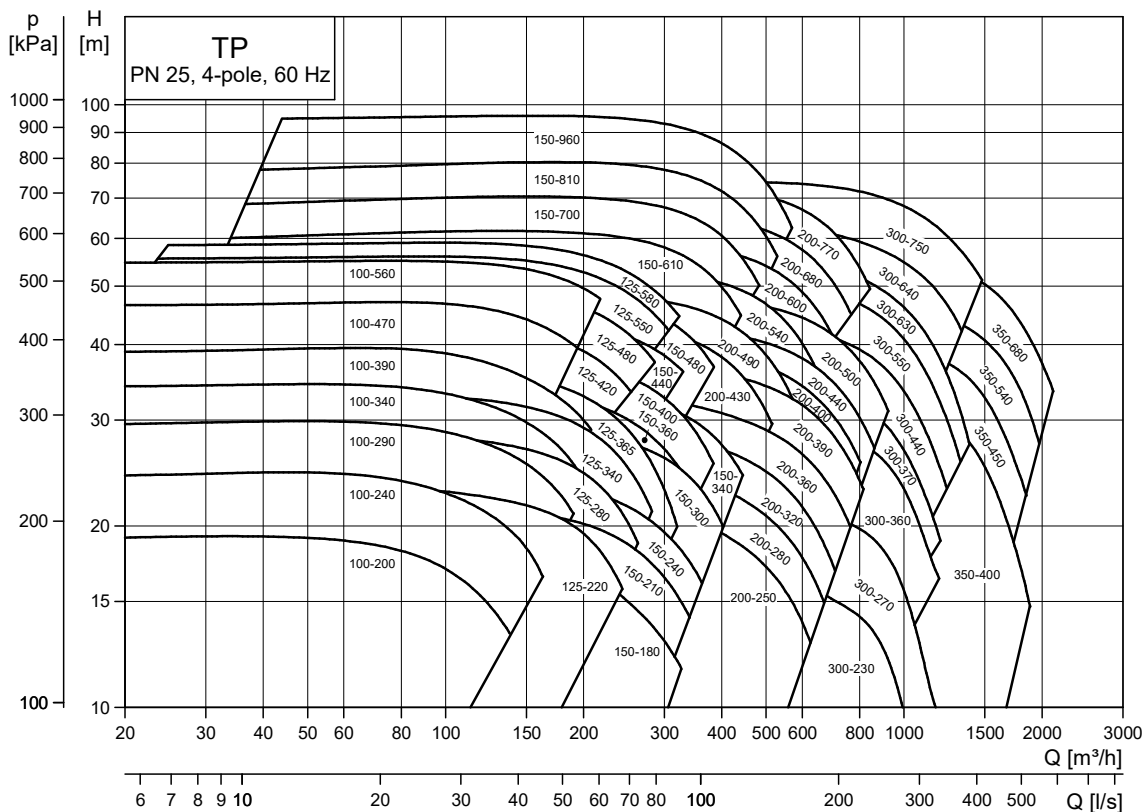
Related information

[Curve conditions](#)

[TPE2, TPE2 D, TPE3, TPE3 D, PN 6, 10, 16](#)

Performance range, 4-pole, PN 25

See section Performance curves and technical data for performance curves.



TM027003

Related information

TPE2, TPE2 D, TPE3, TPE3 D, PN 6, 10, 16

3. Product range

Product range, TPE2, TPE2 D, TPE3, TPE3 D

- Standard.

Pump type	Design		Shaft seal				Pressure stage				Materials			Electronically speed-controlled motor	
	TPE2, TPE2 D	TPE3, TPE3 D	BQBE	BAGE	BQOE	DBUE	PN 6/10	PN 6	PN 10	PN 16	Pump housing		Impeller Composite PES-GF30	Voltage [V]	
											Cast iron EN-GJL-250	Stainless steel ⁶⁾		1 x 200-240 V	3 x 380-500 V
														P2 [kW]	P2 [kW]
TPE2, TPE2 D, TPE3 TPE3 D 32-80	•	•	•		•		•			•	•	•	0.25	0.25	
TPE2, TPE2 D, TPE3 TPE3 D 32-120	•	•	•		•		•			•	•	•	0.25	0.25	
TPE2, TPE2 D, TPE3 TPE3 D 32-150	•	•	•		•		•			•	•	•	0.37	0.37	
TPE2, TPE2 D, TPE3 TPE3 D 32-180	•	•	•		•		•			•	•	•	0.55	0.55	
TPE2, TPE2 D, TPE3 TPE3 D 32-200	•	•	•		•		•			•	•	•	0.75	0.75	
TPE2, TPE2 D, TPE3 TPE3 D 40-80	•	•	•		•		•			•	•	•	0.25	0.25	
TPE2, TPE2 D, TPE3 TPE3 D 40-120	•	•	•		•		•			•	•	•	0.37	0.37	
TPE2, TPE2 D, TPE3 TPE3 D 40-150	•	•	•		•		•			•	•	•	0.55	0.55	
TPE2, TPE2 D, TPE3 TPE3 D 40-180	•	•	•		•		•			•	•	•	0.75	0.75	
TPE2, TPE2 D, TPE3 TPE3 D 40-200	•	•	•		•		•			•	•	•	1.1	1.1	
TPE2, TPE2 D, TPE3 TPE3 D 40-240	•	•	•		•		•			•	•	•	1.5	1.5	
TPE2, TPE2 D, TPE3 TPE3 D 50-60	•	•	•		•		•			•	•	•	0.37	0.37	
TPE2, TPE2 D, TPE3 TPE3 D 50-80	•	•	•		•		•			•	•	•	0.37	0.37	
TPE2, TPE2 D, TPE3 TPE3 D 50-120	•	•	•		•		•			•	•	•	0.55	0.55	
TPE2, TPE2 D, TPE3 TPE3 D 50-150	•	•	•		•		•			•	•	•	0.75	0.75	
TPE2, TPE2 D, TPE3 TPE3 D 50-180	•	•	•		•		•			•	•	•	1.1	1.1	
TPE2, TPE2 D, TPE3 TPE3 D 50-200	•	•	•		•		•			•	•	•	1.5	1.5	
TPE2, TPE2 D, TPE3 TPE3 D 50-240	•	•	•		•		•			•	•	•		2.2	
TPE2, TPE2 D, TPE3 TPE3 D 65-60	•	•	•		•		•			•	•	•	0.37	0.37	
TPE2, TPE2 D, TPE3 TPE3 D 65-80	•	•	•		•		•			•	•	•	0.55	0.55	
TPE2, TPE2 D, TPE3 TPE3 D 65-120	•	•	•		•		•			•	•	•	0.75	0.75	
TPE2, TPE2 D, TPE3 TPE3 D 65-150	•	•	•		•		•			•	•	•	1.1	1.1	
TPE2, TPE2 D, TPE3 TPE3 D 65-180	•	•	•		•		•			•	•	•	1.5	1.5	
TPE2, TPE2 D, TPE3 TPE3 D 65-200	•	•	•		•		•			•	•	•		2.2	
TPE2, TPE2 D, TPE3 TPE3 D 80-40	•	•	•		•			•	•	•	•	•	0.25	0.25	
TPE2, TPE2 D, TPE3 TPE3 D 80-120	•	•	•		•			•	•	•	•	•	1.1	1.1	
TPE2, TPE2 D, TPE3 TPE3 D 80-150	•	•	•		•			•	•	•	•	•	1.5	1.5	
TPE2, TPE2 D, TPE3 TPE3 D 80-180	•	•	•		•			•	•	•	•	•		2.2	
TPE2, TPE2 D, TPE3 TPE3 D 100-40	•	•	•		•			•	•	•	•	•	0.25	0.25	
TPE2, TPE2 D, TPE3 TPE3 D 100-120	•	•	•		•			•	•	•	•	•	1.1	1.1	
TPE2, TPE2 D, TPE3, TPE3 D 100-150	•	•	•		•			•	•	•	•	•	1.5	1.5	
TPE2, TPE2 D, TPE3, TPE3 D 100-180	•	•	•		•			•	•	•	•	•		2.2	

⁶⁾ Stainless-steel versions are only available as single-head pumps and with a combined PN 6/10/16 flange.

Product range, 2-pole, PN 6, 10, 16, 25

- Standard.

Pump type	TPE Series 1000 ⁷⁾	Design		Shaft seal					Pressure stage				Materials						Mains-operated motor					Electronically speed-controlled motor					
		TP Series 200	TP Series 300	BQBE	BAQE	BQQE	DBUE	DQQE	DAQF	PN 6, 10 combination flange	PN 10	PN 16	PN 25	Pump housing			Impeller			Voltage [V]					Voltage [V]				
														Cast iron EN-GJL-250	Nodular cast iron EN-GJS-400-18	Bronze	Stainless steel	Cast iron	Nodular cast iron EN-GJS-400-15	Bronze	3 x 220-255 ΔV/ 3 x 380-440 YV		3 x 220-277 ΔV/ 3 x 380-480 YV		3 x 380-480 ΔV		3 x 380-480 ΔV/ 3 x 660-690 YV ⁸⁾		3 x 380-480 V
																					P ₂ [kW]	P ₂ [kW]	P ₂ [kW]	P ₂ [kW]	P ₂ [kW]	P ₂ [kW]	P ₂ [kW]		
TP 32-80/2	•		•		•				•				•							0.37									
TP 32-160/2	•		•		•				•				•							0.55									
TP 32-220/2	•		•		•				•				•							0.75									
TP 32-260/2	•		•		•				•				•								1.1								
TP 32-330/2	•		•		•				•				•							1.5									
TP, TPD 32-300/2	•		•		•	•				•			•							2.2	2.2				2.2				
TP, TPD 32-360/2	•		•		•	•				•			•							3.0	3.0				3.0				
TP, TPD 32-450/2	•		•		•	•				•			•							4.0	4.0				4.0				
TP, TPD 32-550/2	•		•		•	•				•			•							5.5	5.5				5.5				
TP, TPD 32-680/2	•		•		•	•				•			•							7.5	7.5				7.5				
TP, TPD 32-820/2	•		•		•	•				•			•							11.0		11.0		11.0	11.0				
TP 40-80/2	•		•		•			•					•							0.55									
TP 40-160/2	•		•		•			•					•							0.75									
TP 40-240/2	•		•		•			•					•							1.1									
TP 40-270/2	•		•		•			•			•		•							1.5									
TP 40-330/2	•		•		•			•			•		•							2.2									
TP 40-390/2	•		•		•			•			•		•							3.0									
TP, TPD 40-400/2	•		•		•	•				•			•							4.0	4.0				4.0				
TP, TPD 40-460/2	•		•		•	•				•			•							5.5	5.5				5.5				
TP, TPD 40-530/2	•		•		•	•				•			•							7.5	7.5				7.5				
TP, TPD 40-690/2	•		•		•	•				•			•							11.0		11.0		11.0	11.0				
TP, TPD 40-820/2	•		•		•	•				•			•							15.0		15.0		15.0	15.0				
TP, TPD 40-920/2	•		•		•	•				•			•							18.5		18.5		18.5	18.5				
TP 50-80/2	•		•		•			•					•							0.55									
TP 50-160/2	•		•		•			•					•							1.1									
TP 50-240/2	•		•		•			•					•							1.5									
TP, TPD 50-250/2	•		•		•	•				•			•							2.2	2.2								
TP, TPD 50-300/2	•		•		•	•				•			•							3.0	3.0				3.0				
TP, TPD 50-350/2	•		•		•	•				•			•							4.0	4.0				4.0				
TP, TPD 50-410/2	•		•		•	•				•			•							5.5	5.5				5.5				
TP, TPD 50-430/2	•		•		•	•				•			•							7.5	7.5				7.5				
TP, TPD 50-530/2	•		•		•	•				•			•							11.0		11.0		11.0	11.0				
TP, TPD 50-640/2	•		•		•	•				•			•							15.0		15.0		15.0	15.0				
TP, TPD 50-720/2	•		•		•	•				•			•							15.0		15.0		15.0	15.0				
TP, TPD 50-790/2	•		•		•	•				•			•							18.5		18.5		18.5	18.5				
TP, TPD 50-880/2	•		•		•	•				•			•							22.0		22.0		22.0	22.0				
TP, TPD 50-1050/2	•		•		•	•				•			•							30.0		30.0							
TP 65-80/2	•		•		•			•					•							1.1									
TP 65-160/2	•		•		•			•					•							1.5									
TP 65-240/2	•		•		•			•					•							2.2									
TP, TPD 65-200/2	•		•		•	•				•			•							3.0	3.0				3.0				

Pump type	Design		Shaft seal						Pressure stage				Materials						Mains-operated motor				Electronically speed-controlled motor		
	TPE Series 1000 ⁷⁾	TP Series 200	TP Series 300	BQBE	BAQE	BQQE	DBUE	DQQE	DAQF	PN 6, 10 combination flange				Pump housing			Impeller			Voltage [V]				Voltage [V]	
										PN 10	PN 16	PN 25	Cast iron EN-GJL-250	Nodular cast iron EN-GJS-400-18	Bronze	Stainless steel	Cast iron	Nodular cast iron EN-GJS-400-15	Bronze	3 x 220-255 ΔV/ 3 x 380-440 YV	3 x 220-277 ΔV/ 3 x 380-480 YV	3 x 380-480 ΔV	3 x 380-480 ΔV/ 3 x 660-690 YV ⁸⁾	3 x 380-480 V	
																									P ₂ [kW]
TP, TPD 65-250/2	•		•		•	•						•									4.0	4.0		4.0	
TP, TPD 65-340/2	•		•		•	•						•										5.5	5.5		5.5
TP, TPD 65-390/2	•		•		•	•						•										7.5	7.5		7.5
TP, TPD 65-480/2	•		•		•	•						•										11.0		11.0	11.0
TP, TPD 65-540/2	•		•		•	•						•										15.0		15.0	15.0
TP, TPD 65-630/2	•		•		•	•						•										18.5		18.5	18.5
TP, TPD 65-740/2	•		•		•	•						•										22.0		22.0	22.0
TP, TPD 65-910/2			•		•	•						•										30.0		30.0	
TP, TPD 65-920/2			•		•	•						•										37.0		37.0	
TP, TPD 65-1050/2			•		•	•						•										37.0		37.0	
TP 80-160/2		•		•		•			•			•										3.0			
TP, TPD 80-200/2	•		•		•	•						•										4.0	4.0		4.0
TP, TPD 80-240/2	•		•		•	•						•										5.5	5.5		5.5
TP, TPD 80-290/2	•		•		•	•						•										7.5	7.5		7.5
TP, TPD 80-330/2	•		•		•	•						•										11.0		11.0	11.0
TP, TPD 80-400/2	•		•		•	•						•										15.0		15.0	15.0
TP, TPD 80-480/2	•		•		•	•						•										18.5		18.5	18.5
TP, TPD 80-530/2	•		•		•	•						•										22.0		22.0	22.0
TP, TPD 80-640/2			•		•	•						•										30.0		30.0	
TP, TPD 80-750/2			•		•	•						•										37.0		37.0	
TP, TPD 100-230/2	•		•		•	•						•										7.5	7.5		7.5
TP, TPD 100-300/2	•		•		•	•						•										11.0		11.0	11.0
TP, TPD 100-370/2	•		•		•	•						•										15.0		15.0	15.0
TP, TPD 100-350/2	•		•		•	•						•										18.5		18.5	18.5
TP, TPD 100-380/2	•		•		•	•						•										22.0		22.0	22.0
TP, TPD 100-530/2			•		•	•						•										30.0		30.0	
TP, TPD 100-630/2			•		•	•						•										37.0		37.0	
TP, TPD 100-700/2			•		•	•						•										45.0		45.0	
TP 100-760/2			•				•	•				•													75.0
TP 100-940/2			•				•	•				•													90.0
TP 100-1040/2			•				•	•				•													110.0
TP 100-1200/2			•				•	•				•													132.0
TP 100-1360/2			•				•	•				•													160.0
TP 100-1510/2			•				•	•				•													200.0

7) TPE pumps are not available in twin-head versions.

8) 2-pole motors above 7.5 kW can be operated at 3 x 660-690 YV. Smaller motor sizes cannot be operated at 3 X 660-690 YV.

Product range, 4-pole, PN 6, 10, 16, 25

- Standard.

Pump type	TPE Series 1000 ⁹⁾	Design		Shaft seal						Pressure stage			Materials						Mains-operated motor				Electronically speed-controlled motor		
		TP Series 200	TP Series 300	EQBE	EBAQE	EQQE	DBUE	DQQE	DAQF	PN 6, 10 combination flange	PN 10	PN 16	PN 25	Pump housing			Impeller			Voltage [V]				Voltage [V]	
														Cast iron EN-GJL-250	Nodular cast iron EN-GJS-400-18-LT	Bronze	Stainless steel	Cast iron	Nodular cast iron EN-GJS-400-15	Bronze	3 x 220-255 ΔV/ 3 x 380-440 YV		3 x 220-277 ΔV/ 3 x 380-480 YV		3 x 380-480 ΔV/ 3 x 380-480 ΔV/ 3 x 660-690 YV ¹⁰⁾
		P ₂ [kW]	P ₂ [kW]	P ₂ [kW]	P ₂ [kW]	P ₂ [kW]																			
TP 32-40/4		•		•					•	•			•						0.12						
TP 32-80/4		•		•					•	•			•						0.25						
TP, TPD 32-120/4			•		•	•					•		•						0.55						
TP, TPD 32-140/4			•		•	•					•		•						0.75						
TP, TPD 32-190/4			•		•	•					•		•						1.1						
TP 40-40/4		•		•					•	•			•						0.25						
TP 40-80/4		•		•					•	•			•						0.55						
TP, TPD 40-110/4			•		•	•					•		•						0.75						
TP, TPD 40-150/4			•		•	•					•		•						1.1						
TP, TPD 40-180/4			•		•	•					•		•						1.5						
TP, TPD 40-230/4			•		•	•					•		•						2.2	2.2					
TP 50-40/4		•		•					•	•			•						0.25						
TP 50-80/4		•		•					•	•			•						0.55						
TP, TPD 50-100/4			•		•	•					•		•						0.75						
TP, TPD 50-115/4			•		•	•					•		•						1.1						
TP, TPD 50-130/4			•		•	•					•		•						1.5						
TP, TPD 50-180/4			•		•	•					•		•						2.2						
TP, TPD 50-240/4	•		•		•	•					•		•						3.0	3.0				3.0	
TP, TPD 50-270/4	•		•		•	•					•		•						4.0	4.0				4.0	
TP, TPD 50-340/4	•		•		•	•					•		•						5.5		5.5		5.5	5.5	
TP 65-40/4		•		•					•	•			•						0.37						
TP 65-80/4		•		•					•	•			•						1.1						
TP, TPD 65-130/4			•		•	•					•		•						1.5						
TP, TPD 65-150/4			•		•	•					•		•						2.2	2.2					
TP, TPD 65-190/4	•		•		•	•					•		•						3.0	3.0				3.0	
TP, TPD 65-230/4	•		•		•	•					•		•						4.0	4.0				4.0	
TP, TPD 65-310/4	•		•		•	•					•		•						5.5		5.5		5.5	5.5	
TP, TPD 65-330/4	•		•		•	•					•		•						7.5		7.5		7.5	7.5	
TP 80-40/4		•		•					•	•			•						0.75						
TP 80-80/4		•		•					•	•			•						1.5						
TP, TPD 80-110/4			•		•	•					•		•						2.2	2.2					
TP, TPD 80-150/4	•		•		•	•					•		•						3.0	3.0				3.0	
TP, TPD 80-170/4	•		•		•	•					•		•						4.0	4.0				4.0	
TP, TPD 80-230/4	•		•		•	•					•		•						5.5		5.5		5.5	5.5	
TP, TPD 80-280/4	•		•		•	•					•		•						7.5		7.5		7.5	7.5	
TP, TPD 80-340/4	•		•		•	•					•		•						11.0		11.0		11.0	11.0	
TP, TPD 80-410/4	•		•		•	•					•		•						15.0		15.0		15.0	15.0	
TP, TPD 80-460/4			•		•	•					•		•						18.5		18.5		18.5	18.5	
TP, TPD 80-510/4			•		•	•					•		•						22.0		22.0		22.0		
TP 100-40/4		•		•					•	•			•						1.1						
TP 100-90/4	•		•		•	•					•		•						2.2	1.1				2.2	

Pump type	Design										Shaft seal			Pressure stage			Materials						Mains-operated motor			Electronically speed-controlled motor				
	TPE Series 1000 ⁹⁾										DBUE	DQQE	DAQF	PN 6, 10 combination flange	PN 10	PN 16	PN 25	Pump housing			Impeller			Voltage [V]			Voltage [V] 3 x 380-480 V			
	TP Series 200		TP Series 300		BQBE	BAQE	BQQE	PN 6, 10 combination flange	PN 10	PN 16								PN 25	Cast iron EN-GJL-250	Nodular cast iron EN-GJS-400-18-LT	Bronze	Stainless steel	Cast iron	Nodular cast iron EN-GJS-400-15	Bronze	3 x 220-255 ΔV/ 3 x 380-440 YV		3 x 220-277 ΔV/ 3 x 380-480 YV	3 x 380-480 ΔV	3 x 380-480 ΔV/ 3 x 660-690 YV ¹⁰⁾
	P ₂ [kW]	P ₂ [kW]	P ₂ [kW]	P ₂ [kW]																										
TP, TPD 100-100/4	•	•	•	•	•	•													3.0	3.0		3.0								
TP, TPD 100-130/4	•	•	•	•	•	•													4.0	4.0		4.0								
TP, TPD 100-150/4	•	•	•	•	•	•													5.5		5.5	5.5								
TP, TPD 100-170/4	•	•	•	•	•	•													5.5		5.5	5.5								
TP, TPD 100-200/4 ¹¹⁾	•	•	•	•	•	•	•	•											7.5		7.5	7.5								
TP, TPD 100-240/4 ¹¹⁾	•	•	•	•	•	•	•	•											11.0		11.0	11.0								
TP, TPD 100-260/4	•	•	•	•	•	•													11.0		11.0	11.0								
TP, TPD 100-290/4 ¹¹⁾	•	•	•	•	•	•	•	•											15.0		15.0	15.0								
TP, TPD 100-340/4 ¹¹⁾	•	•	•	•	•	•	•	•											18.5		18.5	18.5								
TP, TPD 100-350/4	•	•	•	•	•	•													22.0		22.0									
TP, TPD 100-390/4 ¹¹⁾	•	•	•	•	•	•	•	•											22.0		22.0									
TP, TPD 100-470/4 ¹¹⁾	•	•	•	•	•	•	•	•											30.0		30.0									
TP 100-560/4	•	•	•	•	•	•	•	•														37.0								
TP 125-80/4	•	•	•	•	•	•													3.0		3.0	3.0								
TP 125-110/4	•	•	•	•	•	•													4.0		4.0	4.0								
TP 125-135/4	•	•	•	•	•	•													5.5		5.5	5.5								
TP, TPD 125-130/4	•	•	•	•	•	•													5.5		5.5	5.5								
TP, TPD 125-160/4	•	•	•	•	•	•													7.5		7.5	7.5								
TP, TPD 125-200/4	•	•	•	•	•	•													11.0		11.0	11.0								
TP, TPD 125-230/4	•	•	•	•	•	•													15.0		15.0	15.0								
TP 125-220/4	•	•	•	•	•	•	•	•											15.0		15.0	15.0								
TP, TPD 125-280/4	•	•	•	•	•	•	•	•											18.5		18.5	18.5								
TP, TPD 125-340/4	•	•	•	•	•	•	•	•											22.0		22.0									
TP, TPD 125-365/4	•	•	•	•	•	•	•	•											30.0		30.0									
TP, TPD 125-420/4	•	•	•	•	•	•	•	•											30.0		30.0									
TP, TPD 125-480/4	•	•	•	•	•	•	•	•											37.0		37.0									
TP 125-550/4	•	•	•	•	•	•	•	•														45.0								
TP 125-580/4	•	•	•	•	•	•	•	•														55.0								
TP 150-130/4	•	•	•	•	•	•													11.0		11.0	11.0								
TP 150-160/4	•	•	•	•	•	•													15.0		15.0	15.0								
TP 150-200/4	•	•	•	•	•	•													18.5		18.5	18.5								
TP 150-220/4	•	•	•	•	•	•													22.0		22.0									
TP, TPD 150-180/4	•	•	•	•	•	•	•	•											15.0		15.0	15.0								
TP, TPD 150-210/4	•	•	•	•	•	•													18.5		18.5	18.5								
TP, TPD 150-240/4	•	•	•	•	•	•													22.0		22.0									
TP, TPD 150-300/4	•	•	•	•	•	•													30.0		30.0									
TP, TPD 150-340/4	•	•	•	•	•	•													37.0		37.0									
TP 150-360/4	•	•	•	•	•	•																30.0								
TP 150-400/4	•	•	•	•	•	•																37.0								
TP 150-440/4	•	•	•	•	•	•																45.0								
TP 150-480/4	•	•	•	•	•	•																55.0								
TP 150-610/4	•	•	•	•	•	•																75.0								
TP 150-700/4	•	•	•	•	•	•																90.0								
TP 150-810/4	•	•	•	•	•	•																110.0								

Pump type	Design									Shaft seal			Pressure stage			Materials					Mains-operated motor			Electronically speed-controlled motor									
	TPE Series 1000 ⁹⁾			TP Series 200			TP Series 300			BQBE	BAQE	BQQE	DBUE	DQQE	DAQF	PN 6, 10 combination flange			Pump housing		Impeller				Voltage [V]			Voltage [V]					
	P	2	4	P	2	4	P	2	4							PN 10	PN 16	PN 25	Cast iron	EN-GJL-250	Nodular cast iron	EN-GJS-400-18-LT	Bronze	Stainless steel	Cast iron	Nodular cast iron	EN-GJS-400-15		Bronze	P ₂	P ₂	P ₂	P ₂
										3 x 220-255 ΔV/ 3 x 380-440 YV	3 x 220-277 ΔV/ 3 x 380-480 YV	3 x 380-480 ΔV/ 3 x 660-690 YV ¹⁰⁾	3 x 380-480 ΔV/ 3 x 660-690 YV ¹⁰⁾	3 x 380-480 V																			
TP 150-960/4				•								•							•											132.0			
TP 200-80/4	•			•								•							•						7.5					7.5		7.5	
TP 200-110/4	•			•								•							•						11.0					11.0		11.0	
TP 200-140/4	•			•								•							•						15.0					15.0		15.0	
TP 200-190/4				•								•							•						18.5					18.5		18.5	
TP 200-210/4				•								•							•						22.0					22.0			
TP 200-250/4				•								•							•						30.0					30.0			
TP 200-280/4				•								•							•											37.0			
TP 200-320/4				•								•							•											45.0			
TP 200-360/4				•								•							•											55.0			
TP 200-390/4				•								•							•											75.0			
TP 200-400/4				•								•							•											75.0			
TP 200-430/4				•								•							•											55.0			
TP 200-440/4				•								•							•											90.0			
TP 200-490/4				•								•							•											75.0			
TP 200-500/4				•								•							•											110.0			
TP 200-540/4				•								•							•											90.0			
TP 200-600/4				•								•							•											110.0			
TP 200-680/4				•								•							•											132.0			
TP 200-770/4				•								•							•											160.0			
TP 300-230/4				•								•							•											45.0			
TP 300-270/4				•								•							•											55.0			
TP 300-360/4				•								•							•											75.0			
TP 300-370/4				•								•							•											90.0			
TP 300-440/4				•								•							•											110.0			
TP 300-550/4				•								•							•											132.0			
TP 300-630/4				•								•							•											160.0			
TP 300-640/4				•								•							•											200.0			
TP 300-750/4				•								•							•											250.0			
TP 350-400/4				•								•							•											132.0			
TP 350-450/4				•								•							•											160.0			
TP 350-540/4				•								•							•											200.0			
TP 350-680/4				•								•							•											250.0			

9) TPE pumps are not available in twin-head versions.

10) 4-pole motors above 4 kW can be operated at 3 x 660-690 YV. Smaller motor sizes cannot be operated at 3 x 660-690 YV.

11) TPD pumps are not available in PN 25.

4. Operating conditions

System and test pressures

Pressure	System pressure		Test pressure	
	[bar]	[MPa]	[bar]	[MPa]
PN 6	6	0.6	10	1.0
PN 10	10	1.0	16	1.6
PN 16	16	1.6	24	2.4
PN 25	25	2.5	38	3.8

Sound pressure level

Motor [kW]	Maximum sound pressure level [dB(A)] - ISO 3743	
	Three-phase motors	
	2-pole	4-pole
0.12	-	-
0.25	-	45
0.37	57	45
0.55	56	45
0.75	57	50.5
1.1	58	50.5
1.5	64	51.5
2.2	65	54.5
3.0	53.5	57
4.0	67.5	56
5.5	68	55
7.5	65	56
11.0	64.5	58
15.0	65	58
18.5	65.5	65
22.0	70.5	65
30.0	75	66
37.0	75	65
45.0	75	65
55.0	75	68
75.0	77	71
90.0	77	71
110.0	81	75
132.0	81	75
160.0	81	75
200.0	81	75
250.0	86	77
315.0	-	77

The values apply only to MG and Siemens motors. The values have a tolerance of 3 dB according to EN ISO 4871. The tolerance is not added to the values in the table.

The audible noise from TP pumps is primarily noise from the motor fan. The selection of TPE pumps will reduce the noise at partial load, as the motor and, consequently, the motor fan runs at a lower speed. Possible flow noise from control valves is also reduced at partial load in the case of the TPE pump.

Ambient temperature

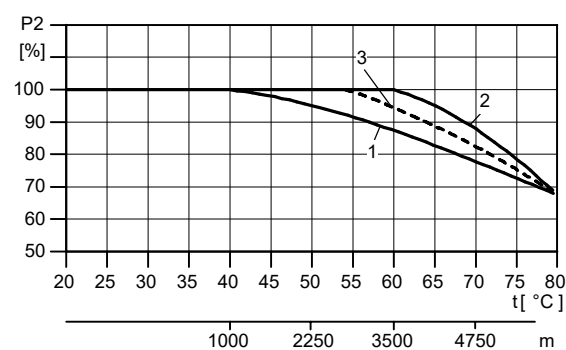
MG IE3 motors: 0.75 - 22 kW motors, 2-pole	-30 to +60 °C
Siemens IE3 motors: 30-200 kW motors, 2-pole 0.55 - 250 kW motors, 4-pole	-20 to +55 °C
MGE motors	-20 to +50 °C
Storage	Down to -30 °C

Installation altitude

Pump with standard motor

If the ambient temperature exceeds maximum values or if the motor is located more than 1000 m above sea level, the motor output, P2, must be reduced due to the low density and consequent low cooling effect of the air. In such cases, it may be necessary to use an oversize motor with a higher rated output.

Pos.	Description
3	Siemens IE3 motors: 30-55 kW motors, 2-pole 0.55 - 55 kW motors, 4-pole Siemens IE4 motors
2	MG IE3 motors: 0.75 - 22 kW motors, 2-pole
1	Other motor sizes



TM044914

Maximum motor output in relation to ambient temperature and altitude

Pump with Grundfos MGE motor

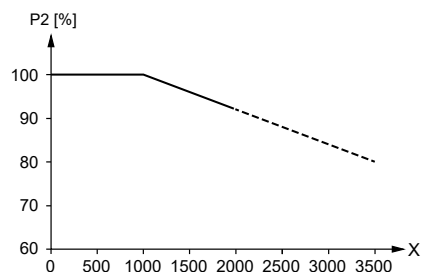
Description

MGE motors

Installation altitude is the height above sea level of the installation site.

Motors installed up to 1000 m above sea level can be loaded 100 %.

The motors can be installed up to 3500 m above sea level.

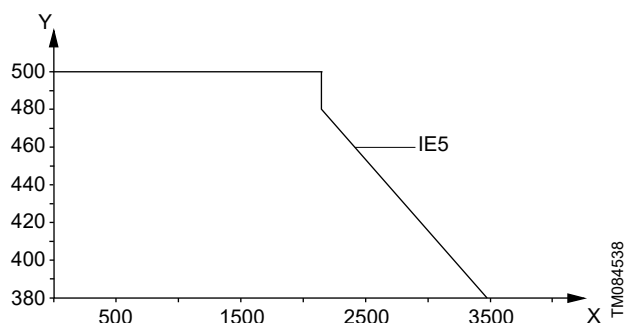


TM055243

Motor output power in relation to altitude

Pos.	Description
X	Altitude [m]

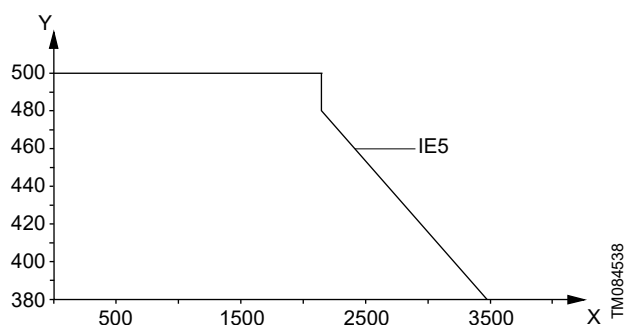
In order to maintain the galvanic isolation and ensure correct clearance according to EN 60664-1:2007, you must adapt the supply voltage to the altitude:



TM084538

Supply voltage for three-phase motor in relation to altitude

Pos.	Description
X	Altitude [m]
Y	Supply voltage [V]



TM084538

Supply voltage for single-phase motor in relation to altitude

Pos.	Description
X	Altitude [m]
Y	Supply voltage [V]

Note:

Motors installed more than 1000 m above sea level must not be fully loaded due to the low density and consequent low cooling effect of the air.

If the motor is to operate at ambient temperatures between 50 and 60 °C, select an oversized motor. Contact Grundfos.

5. Pumped liquids

Pumped liquids

The pump is suitable for thin, clean, non-aggressive and non-flammable liquids, not containing solid particles or fibres that may attack the pump mechanically or chemically. See section List of pumped liquids.

Examples

- Central heating system water. The water must meet the requirements of accepted standards on water quality in heating systems.
- cooling liquids
- hot tap water
- industrial liquids
- softened water.

If glycol or another antifreeze agent is added to the pumped liquid, the pump must have a shaft seal of the BQQE or DQQE type. See section Recommended shaft seal for water-glycol mixture.

The pumping of liquids with density and/or kinematic viscosity higher than that of water will have the following effects:

- a considerable pressure drop
- a drop in hydraulic performance
- a rise in power consumption.

In such cases, fit the pump with a bigger motor. If in doubt, contact Grundfos.

If the water contains mineral or synthetic oils or chemicals or if other liquids than water are pumped, choose the O-rings accordingly.

Related information

[List of pumped liquids](#)

[Recommended shaft seal for water-glycol mixture](#)

Liquid temperature

Liquid temperature: -40 to +150 °C.

Please note that shaft seals operating close to their maximum temperature will require regular maintenance or replacement.

Pump type	Shaft seal	Temperature
TP Series 200	BQBE	0 to +140 °C
	BQQE	-25 to +120 °C
TP Series 300, 16-bar version	BAQE	0 to +120 °C (140 °C) ¹²⁾
	BQQE	-25 to +120 °C
TP Series 300, 25-bar version	DQQE	-40 to +120 °C
	DAQF	0 to +150 °C ¹³⁾
TPE2, TPE3	BQBE	0 to +120 °C ¹⁴⁾
	BQQE	-25 to +120 °C

¹²⁾ TP Series 300, PN 16 pumps are designed for a maximum operating temperature of 140 °C. For operation above 120 °C, select an alternative shaft seal. Contact Grundfos.

¹³⁾ For operation above 140 °C, contact Grundfos. At 120 to 150 °C, the maximum operating pressure is less than 23 bar.

¹⁴⁾ 140 °C for a short period.

Depending on the type of cast-iron version and the pump application, the maximum liquid temperature may be limited by local regulations and laws.

List of pumped liquids

TP and TPD pumps are designed for circulation systems with constant flow rate; TPE2, TPE2D, TPE3, TPE3D, TPE pumps for systems with variable flow rate.

Thanks to their design, you can use the pumps in a wider liquid temperature range than pumps of the canned rotor type.

A number of typical liquids are listed below.

You can use other pump versions, but we consider the ones stated in the list to be the best choices.

The list is intended as a general guide only, and it cannot replace actual testing of the pumped liquids and pump materials under specific working conditions. If in doubt, we recommend that you fill in the form shown on section Key application data and contact Grundfos.

Use the list with some caution, as factors such as concentration of the pumped liquid, liquid temperature or pressure may affect the chemical resistance of a specific pump version.

Legend

A	May contain additives or impurities that may cause shaft seal problems.
B	The density and/or viscosity differ from those of water. Consider this when calculating motor and pump performance.
C	The liquid must be oxygen-free (anaerobic).
D	Risk of crystallisation or precipitation in the shaft seal.
E	Insoluble in water.
F	The shaft seal rubber parts must be replaced with FKM rubber.
G	Bronze housing or impeller required.
H	Risk of formation of ice on the standby pump. The risk only applies to TP, TPE Series 200 pumps.

Pumped liquids	Notes	Additional information	Shaft seal			
			TPE2, TPE3	TP Series 200	TP Series 300 PN 16	TP Series 300 PN 25
Water						
Groundwater		< 120 °C	BQBE BQQE	BQBE BQQE	BQQE	DQQE ¹⁶⁾
		> 120 °C		BQBE	DAQF ^{15) 16)}	DAQF ¹⁶⁾
Boiler-feed water		< 120 °C	BQBE BQQE	BQBE BQQ	BAQE ¹⁷⁾ BQQE	DAQF DQQE
		< 140 °C		BQBE	DAQF ¹⁵⁾	DAQF
		< 150 °C				DAUE ¹⁵⁾
District heating water		< 120 °C	BQBE BQQE	BQBE BQQE	BAQE ¹⁷⁾ BQQE	DAQF DQQE
		< 120 °C	BQBE BQQE	BQBE BQQE	BAQE ¹⁷⁾ BQQE	DAQF DQQE
Condensate		> 120 °C		BQBE	BAQE ¹⁷⁾ DAQF ¹⁵⁾	DAQF
		< 120 °C	BQBE BQQE	BQBE BQQE	BAQE BQQE	DAQF DQQE
Softened water	C	< 120 °C	BQBE BQQE	BQBE BQQE	BAQE BQQE	DAQF
		> 120 °C		BQBE	DAQF ¹⁵⁾	DAQF
Brackish water	G	pH > 6.5, 40 °C, 1000 ppm Cl ⁻	BQBE BQQE	BQBE BQQE	BQQE	DQQE
Coolants						
Ethylene glycol	B, D, H	< 120 °C	BQQE	BQQE	BQQE	DQQE
Glycerine (glycerol)	B, D, H	< 120 °C	BQQE	BQQE	BQQE	DQQE
Potassium acetate	B, D, C, H	< 120 °C	BQQE	BQQE	BQQE	DQQE
Potassium formate	B, D, C, H	< 120 °C	BQQE	BQQE	BQQE	DQQE
Propylene glycol	B, D, H	< 120 °C	BQQE	BQQE	BQQE	DQQE
Brine sodium chloride	B, D, C, H	< 5 °C, 30 %	BQQE	BQQE	BQQE	DQQE
Synthetic oils						
Silicone oil	B, E		BQBE	BQBE	BAQE ¹⁷⁾	DAQF
			BQQE	BQQE	BQQE	DQQE

Pumped liquids	Notes	Additional information	Shaft seal			
			TPE2, TPE3	TP Series 200	TP Series 300 PN 16	TP Series 300 PN 25
Vegetable oils						
Corn oil	B, F, E		BUBV ^{15) 18)} BQQV ^{15) 18)}	BUBV ¹⁵⁾ BQQV ¹⁵⁾	BBQV ¹⁵⁾ BQQV ¹⁵⁾	DAQF
Olive oil	B, F, E	< 80 °C	BUBV ^{15) 18)} BQQV ^{15) 18)}	BUBV ¹⁵⁾ BQQV ¹⁵⁾	BBQV ¹⁵⁾ BQQV ¹⁵⁾	DAQF
Peanut oil	B, F, E		BUBV ^{15) 18)} BQQV ^{15) 18)}	BUBV ¹⁵⁾ BQQV ¹⁵⁾	BBQV ¹⁵⁾ BQQV ¹⁵⁾	DAQF
Rapeseed oil	D, B, F, E		BUBV ^{15) 18)} BQQV ^{15) 18)}	BUBV ¹⁵⁾ BQQV ¹⁵⁾	BBQV ¹⁵⁾ BQQV ¹⁵⁾	DAQF
Soybean oil	B, F, E		BUBV ^{15) 18)} BQQV ^{15) 18)}	BUBV ¹⁵⁾ BQQV ¹⁵⁾	BBQV ¹⁵⁾ BQQV ¹⁵⁾	DAQF
Cleaning agents						
Soap (salts of fatty acids)	A, E, (F)	< 80 °C	BQQE (BQQV) ¹⁵⁾	BQQE (BQQV) ¹⁵⁾	BQQE (BQQV) ¹⁵⁾	DQQE
Alkaline degreasing agent	A, E, (F)	< 80 °C	BQQE (BQQV) ¹⁵⁾	BQQE (BQQV) ¹⁵⁾	BQQE (BQQV) ¹⁵⁾	DQQE
Oxidants						
Hydrogen peroxide		< 40 °C, < 2 %	BQBE BQQE	BQBE BQQE	BQQE	DAQF DQQE
Salts						
Ammonium bicarbonate	A	< 20 °C, < 15 %	BQQE	BQQE	BQQE	DQQE
Calcium acetate	A, B	< 20 °C, < 30 %	BQQE	BQQE	BQQE	DQQE
Potassium bicarbonate	A	< 20 °C, < 20 %	BQQE	BQQE	BQQE	DQQE
Potassium carbonate	A	< 20 °C, < 20 %	BQQE	BQQE	BQQE	DQQE
Potassium permanganate	A	< 20 °C, < 10 %	BQQE	BQQE	BQQE	DQQE
Potassium sulphate	A	< 20 °C, < 20 %	BQQE	BQQE	BQQE	DQQE
Sodium acetate	A	< 20 °C, < 100 %	BQQE	BQQE	BQQE	DQQE
Sodium bicarbonate	A	< 20 °C, < 2 %	BQQE	BQQE	BQQE	DQQE
Sodium carbonate	A	< 20 °C, < 20 %	BQQE	BQQE	BQQE	DQQE
Sodium nitrate	A	< 0 °C, < 40 %	BQQE	BQQE	BQQE	DQQE
Sodium nitrite	A	< 20 °C, < 40 %	BQQE	BQQE	BQQE	DQQE
Sodium phosphate (di)	A	< 100 °C, < 30 %	BQQE	BQQE	BQQE	DQQE
Sodium phosphate (tri)	A	< 90 °C, < 20 %	BQQE	BQQE	BQQE	DQQE
Sodium sulphate	A	< 20 °C, < 20 %	BQQE	BQQE	BQQE	DQQE
Sodium sulphite	A	< 20 °C, < 1 %	BQQE	BQQE	BQQE	DQQE
Alkalis						
Ammonium hydroxide		< 100 °C, < 30 %	BQQE	BQQE	BQQE	DQQE
Calcium hydroxide	A	< 100 °C, < 10 %	BQQE	BQQE	BQQE	DQQE
Potassium hydroxide	A	< 20 °C, < 20 %	BQQE	BQQE	BQQE	DQQE
Sodium hydroxide	A	< 40 °C, < 20 %	BQQE	BQQE	BQQE	DQQE

¹⁵⁾ The shaft seal is not standard, but available on request.

¹⁶⁾ Do not use for potable water.

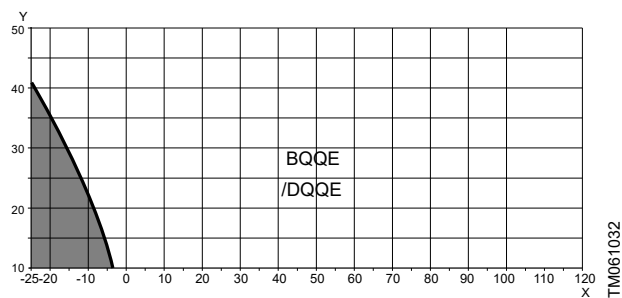
¹⁷⁾ Do not use BAQE for potable water. For potable water, we recommend that you use a BBQE shaft seal.

¹⁸⁾ Applies only for TPE2.

Related information

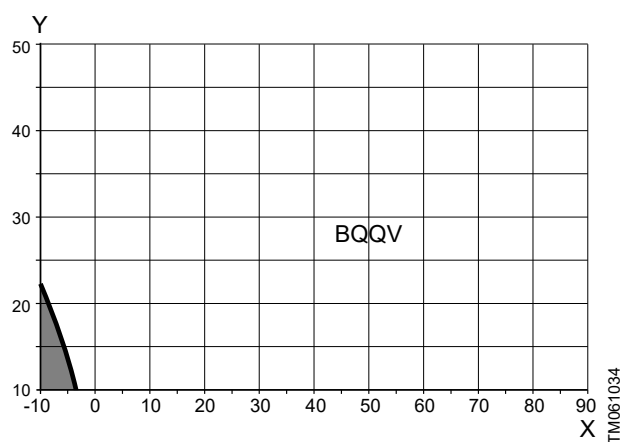
[29. Key application data](#)

Recommended shaft seal for water-glycol mixture



Operating range of EPDM shaft seals

Pos.	Description
X	Temperature [°C]
Y	Glycol content [%]



Operating range of FKM shaft seals

Pos.	Description
X	Temperature [°C]
Y	Glycol content [%]

6. TP Series 200 pumps



TP Series 200

Technical data

Flow rate:	Up to 90 m ³ /h
Head:	Up to 27 m
Liquid temperature:	-25 to +140 °C
Max. operating pressure:	Up to 16 bar
Direction of rotation:	Counterclockwise

Construction

Grundfos TP Series 200 pumps are single-stage, close-coupled pumps with in-line inlet and outlet ports of identical diameter.

The pumps are fitted with a fan-cooled asynchronous motor. Motor and pump shafts are connected via a rigid two-part coupling.

TP Series 200 pumps have PN 6 or PN 10 flanges.

The pumps are fitted with an unbalanced mechanical shaft seal.

The pumps are of the top-pull-out design, that is you can remove the power head (motor, pump head and impeller) for maintenance or service while the pump housing remains in the pipes.

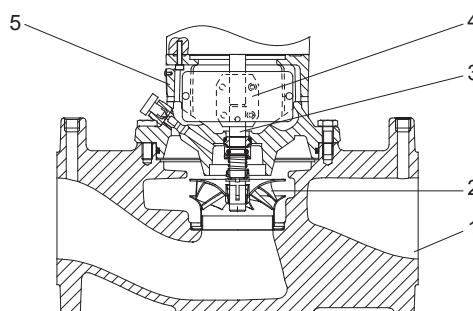
As radial and axial forces are absorbed by the fixed bearing in the motor drive-end, the pump requires no bearing.

The pumps are fitted with high-efficiency motors.

Pumps with a bronze or stainless-steel pump housing are suitable for hot water recirculation.

Materials

TP Series 200



TM031211

Sectional drawing of TP Series 200 with flange connection

Material specification, Series 200

Pos.	Component	Material	EN/DIN
1	Pump housing	Cast iron EN-GJL-250, bronze CuSn10	EN-JL 1040 2.1093
2	Impeller	Stainless steel	1.4301
3	Shaft	Stainless steel	1.4305
4	Coupling	Cast iron EN-GJL-400	0.7040
5	Pump head	Cast iron EN-GJL-250, bronze	0.6025 2.1093
	Secondary seals	EPDM	
	Rotating seal face	Silicon carbide	
	Stationary seat	Carbon (resin-impregnated), silicon carbide	

GR8261

Mechanical shaft seal

Two types of unbalanced mechanical shaft seal are available as standard:

- **BQBE**
The BQBE shaft seal is a rubber bellows seal with silicon carbide/carbon seal faces and secondary seals of EPDM.
- **BQQE**
The BQQE shaft seal is a rubber bellows seal with silicon carbide/silicon carbide seal faces and secondary seals of EPDM.

For more information about common pumped liquids with recommended shaft seals, see section List of pumped liquids.

Shaft seal specification

Unbalanced shaft seal	TP Series 200	Version NU according to EN 12756
Shaft diameter	12 and 16 mm	
Rubber bellows	EPDM	
Seal faces	Silicon carbide/carbon Silicon carbide/silicon carbide	

Special shaft seals are available for partly conditioned water or other liquids containing abrasive or crystallising particles. See section List of pumped liquids.

Related information

[List of pumped liquids](#)

Connections

TP Series 200 pumps up to DN 65 are fitted with combination flanges PN 6 / PN 10. DN 80 or DN 100 pumps have either PN 6 or PN 10 flanges. You can connect all flanges to flanges in accordance with EN 1092-2 and ISO 7005-2.

Features and benefits

TP Series 200 pumps have the following product features and benefits:

Optimised hydraulics for high efficiency

- Reduced power consumption.

High-efficiency motors

- TP pumps are fitted with high-efficiency motors. High-efficiency motors offer reduced energy consumption. TP pumps are primarily fitted with motors that meet the legislative requirements of the EuP IE3 grade. For further information, see section Motors.

Top-pull-out design

- Easy dismantling in case of service.

In-line design

- Contrary to end-suction pumps, in-line pumps allow straight pipes and thus often reduce installation costs.

Pump housing and pump head are electrocoated to improve the corrosion resistance

- Electrocoating includes:
 1. Alkaline cleaning.
 2. Pretreatment with zinc phosphate coating.
 3. Cathodic electrocoating, epoxy.
 4. Curing of paint film at 200 to 250 °C.

For low-temperature applications at a high humidity, Grundfos offers TP pumps with extra surface treatment to avoid corrosion. These pumps are available on request.

Stainless-steel impeller and neck ring

- Wear-free operation with high efficiency.

7. TP Series 300 pumps



GR8259

TP Series 300

Technical data

	PN 16 version	PN 25 version
Flow rate [m ³ /h]	Up to 2000	Up to 2000
Head [m]	Up to 93	Up to 150
Liquid temperature [°C]	-25 to +140	-40 to +150 ¹⁹⁾
Maximum operating pressure [bar]	16	25
Direction of rotation	Clockwise	

¹⁹⁾ At 120 to 150 °C, the maximum operating pressure is less than 23 bar.

Construction

Grundfos TP, TPD Series 300 pumps are single-stage, close-coupled pumps with in-line inlet and outlet ports of identical diameter.

The pumps are fitted with a fan-cooled asynchronous motor. Motor and pump shafts are connected via a rigid sleeve coupling.

Most TP Series 300 pumps are available as single-head, TP, and twin-head, TPD pumps.

TP Series 300 pumps have PN 16 flanges or PN 25 flanges.

The pumps are fitted with an unbalanced or a balanced mechanical shaft seal.

The pumps are of the top-pull-out design, that is you can remove the power head (motor, pump head and/or motor stool and impeller) for maintenance or service while the pump housing remains in the pipes.

The pump housing is provided with a replaceable wear ring to ensure high pump efficiency for life.

The twin-head pumps are designed with two parallel power heads. A non-return flap valve in the common outlet port is opened by the flow of the pumped liquid and prevents backflow of liquid into the idle pump head.

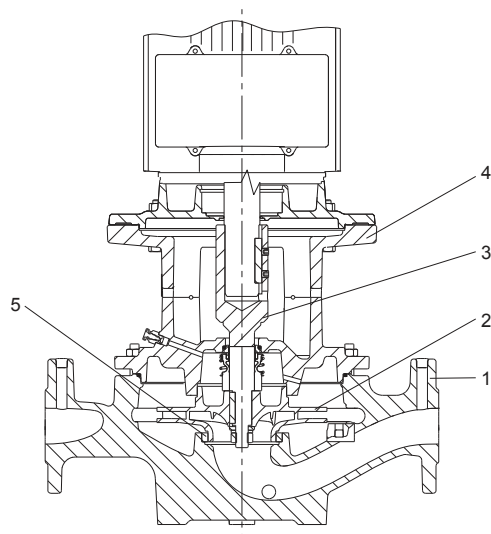
As radial and axial forces are absorbed by the fixed bearing in the motor drive-end, the pump requires no bearing.

The impeller is hydraulically balanced to minimise axial forces.

TP, TPD, TPE Series 300 pumps are equipped with high-efficiency motors.

TP Series 300 pumps with bronze impeller are suitable for pumping brine.

Materials



TM049586

Sectional drawing of TP Series 300

Material specification

TP Series 300, PN 16

Pos.	Component	Material	EN/DIN
1	Pump housing	Cast iron EN-GJL-250	EN-JL 1040
2	Impeller	Cast iron EN-GJL-200, bronze CuSn10	EN-JL 1030 2.1093
3	Stub shaft	Stainless steel	1.4301
	Two-part stub shaft	Stainless steel/steel	1.4301/1.0301
4	Pump head/motor stool	Cast iron EN-GJL-250	EN-JL 1040
	Secondary seals	EPDM	
	Rotating seal face	Metal-impregnated carbon, silicon carbide	
	Stationary seat	Silicon carbide	
5	Wear ring	Bronze CuSn10/brass CuZn34Mn3Al2Fe1-C	2.1093

TP Series 300, PN 25

Pos.	Component	Material	EN/DIN
1	Pump housing	Ductile cast iron EN-GJS-400-18-LT	EN-JS 1025
2	Impeller	Cast iron EN-GJL-200, bronze CuSn10	EN-JL 1030 2.1093
3	Stub shaft	Stainless steel	1.4301
	Two-part stub shaft	Stainless steel/steel	1.4301/1.0301
4	Motor stool	Cast iron EN-GJL-250	EN-JL 1040
	Secondary seals	EPDM FXM	
	Rotating seal face	Metal-impregnated carbon Silicon carbide	
	Stationary seat	Silicon carbide	
5	Wear ring	Bronze CuSn10/brass CuZn34Mn3Al2Fe1-C	2.1093

Mechanical shaft seal

For 16-bar versions, the following types of unbalanced mechanical shaft seals are available as standard:

- **BAQE**
The BAQE shaft seal is a rubber bellows seal with carbon/silicon carbide seal faces and secondary seals of EPDM.
- **BQQE**
The BQQE shaft seal is a rubber bellows seal with silicon carbide/silicon carbide seal faces and secondary seals of EPDM.

For 25-bar versions, the following types of balanced mechanical shaft seals are available as standard:

- **DAQF**
The DAQF shaft seal is a balanced O-ring seal with carbon/silicon carbide seal faces and secondary seals of FXM.
- **DQQE**
The DQQE shaft seal is a balanced O-ring seal with silicon carbide/silicon carbide seal faces and secondary seals of EPDM.

For further information about common pumped liquids with recommended shaft seals, see section List of pumped liquids.

Special shaft seals are available for partly conditioned water or other liquids containing abrasive or crystallising particles. See section List of pumped liquids.

Related information

[List of pumped liquids](#)

Connections

TP Series 300 pumps have PN 16 or PN 25 flanges. All dimensions are according to ISO 7005-2 or EN 1092-2.

Features and benefits

TP Series 300 pumps have these features and benefits:

Optimised hydraulics for high efficiency

- Reduced power consumption.

High-efficiency motors

- TP pumps are fitted with high-efficiency motors. High-efficiency motors offer reduced energy consumption. TP pumps are primarily fitted with motors that meet the legislative requirements of the EuP IE3 or IE4 grade depending on voltage and motor size. For further information, see section Motor.

Top-pull-out design

- Easy dismantling in case of service.

In-line design

- Contrary to end-suction pumps, in-line pumps allow straight pipes and thus often reduced installation costs.

Motor-pump shaft with sleeve coupling

- Stable and quiet operation.
- Easy dismantling in case of service.

Hydraulically and mechanically balanced impeller

- The impeller is hydraulically and mechanically balanced to increase the life of motor bearings and shaft seal.

Pump housing and pump head or motor stool are electrocoated to improve the corrosion resistance

Electrocoating includes:

1. Alkaline cleaning.
2. Pretreatment with zinc phosphate coating.
3. Cathodic electrocoating, epoxy.
4. Curing of paint film at 200-250 °C.

For low-temperature applications at a high humidity, Grundfos offers TP pumps with extra surface treatment to avoid corrosion. These pumps are available on request.

8. TPE Series 1000 pumps



TM075844

TPE Series 1000

Technical data

Flow rate:	Up to 340 m ³ /h
Head:	Up to 90 m
Liquid temperature:	-25 to +140 °C
Maximum operating pressure:	16 bar
Motor sizes, three-phase:	2.2 to 22 kW

Construction

TPE Series 1000 pumps are based on TP Series 300 pumps.

The main difference between the TP and the TPE Series 1000 pump range is the motor. The MGE motor of TPE Series 1000 pumps has a built-in frequency converter for continuous adjustment of the pressure to the flow rate. All pumps are fitted with Grundfos permanent-magnet MGE motors that have motor efficiency class IE5 according to IEC 60034-30-2.

The pumps are suitable for applications where the pressure, temperature, flow rate or another parameter is to be controlled on the basis of signals from a sensor at some point in the system.

Note: The pumps are not fitted with a sensor from the factory.

For further information on construction and materials of the pumps, see sections TP Series 300 pumps.

Related information

[7. TP Series 300 pumps](#)

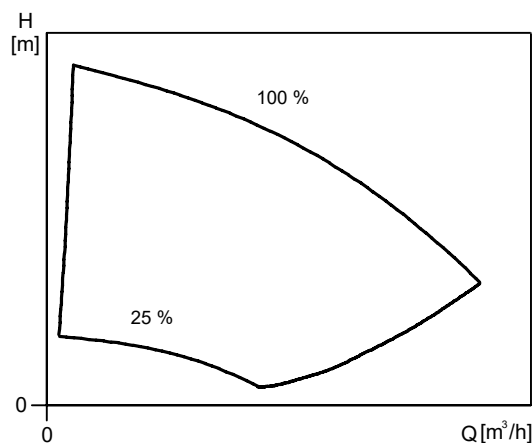
[Features and benefits](#)

Applications

TPE Series 1000 pumps have integrated speed control for automatic adaptation of performance to current conditions.

The energy consumption is thus kept at a minimum.

The pumps can operate at any duty point within the range between 25 and 100 % speed.



TM082188

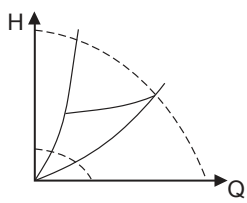
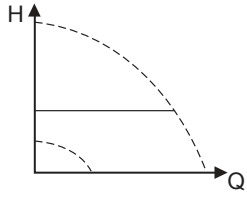
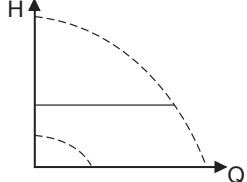
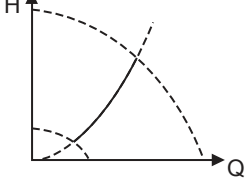
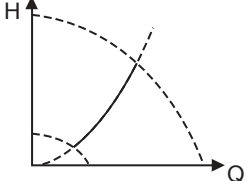
Duty range of TPE Series 1000 pumps

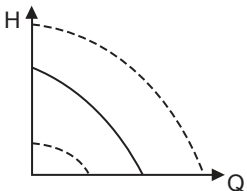
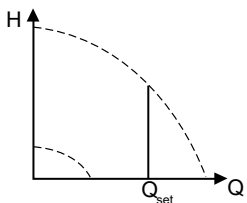
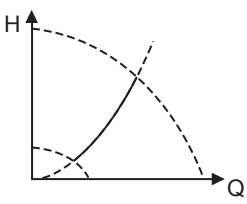
The 100 % curve corresponds to the curve of a pump with a mains-operated motor.

Depending on the application, the pumps offer energy savings, increased comfort or improved processing.

The pumps can be fitted with sensor types meeting the requirements mentioned in section Accessories.

The charts below show possible control modes of the pumps in different applications.

System application	Select this control mode	Pump type
<p>In systems with relatively large pressure losses in the distribution pipes and in air-conditioning and cooling systems.</p> <ul style="list-style-type: none"> • Two-pipe heating systems with thermostatic valves and the following: <ul style="list-style-type: none"> - very long distribution pipes - strongly throttled pipe balancing valves - differential-pressure regulators - large pressure losses in those parts of the system through which the total quantity of water flows, for example boiler, heat exchanger and distribution pipe up to the first branching. • Primary circuit pumps in systems with large pressure losses in the primary circuit. • Air-conditioning systems with the following: <ul style="list-style-type: none"> - heat exchangers (fan coils) - cooling ceilings - cooling surfaces. 	<p>Constant differential pressure with differential-pressure sensor located in the system</p> 	<p>All</p>
<p>In systems with relatively small pressure losses in the distribution pipes.</p> <ul style="list-style-type: none"> • Two-pipe heating systems with thermostatic valves and the following: <ul style="list-style-type: none"> - sized for natural circulation - small pressure losses in those parts of the system through which the total quantity of water flows, for example boiler, heat exchanger and distribution pipe up to the first branching, or modified to a high differential temperature between flow pipe and return pipe, for example district heating. • Underfloor heating systems with thermostatic valves. • One-pipe heating systems with thermostatic valves or pipe balancing valves. • Primary circuit pumps in systems with small pressure losses in the primary circuit. 	<p>Constant differential pressure</p> 	<p>All</p>
<p>In pressure boosting systems.</p>	<p>Constant pressure</p> 	<p>All</p>
<p>In systems with a fixed system characteristic.</p> <p>Examples:</p> <ul style="list-style-type: none"> • one-pipe heating systems • boiler shunts • systems with three-way valves • hot water recirculation. 	<p>Constant temperature</p> 	<p>All</p>
<p></p>	<p>Constant differential temperature</p> 	<p>All</p>

System application	Select this control mode	Pump type
<p>If an external controller is installed, the pump is able to change from one constant curve to another, depending on the value of the external signal.</p> <p>The pump can also be set to operate according to the maximum or minimum curve:</p> <ul style="list-style-type: none"> Use the maximum-curve mode in periods in which a maximum flow rate is required. This operating mode is for instance suitable for hot-water priority. Use the minimum-curve mode in periods in which a minimum flow rate is required. 	<p>Constant curve</p> 	All
<p>In systems requiring a constant flow rate, independently of pressure drop.</p> <p>Examples:</p> <ul style="list-style-type: none"> chillers for air-conditioning heating surfaces cooling surfaces 	<p>Constant flow rate</p> 	All
<p>In systems requiring a constant tank level, independently of the flow rate.</p> <p>Examples:</p> <ul style="list-style-type: none"> process water tanks boiler condensate tanks. 	<p>Constant level</p> 	All
<p>In systems with pumps operating in parallel.</p> <p>The multipump function enables the control of single-head pumps connected in parallel (two to four pumps) and without the use of external controllers. The pumps in a multipump system communicate with each other via the wireless GENlair connection or the wired GENI connection.</p>	Assist menu, Multipump setup	All

Multipump function

All pumps have a multipump function.

The multipump function enables the control of single-head pumps connected in parallel or twin-head pumps without the use of external controllers. The pumps in a multipump system communicate with each other via the wireless GENlair connection or the wired GENI connection.

For further information on multipump system, see section Multipump setup (Setup of multi-pump system).

Related information

[Multipump function](#)

[27. Accessories](#)

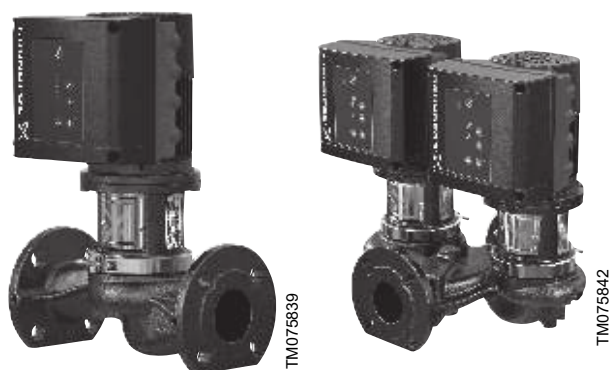
Control options

Communication with TPE Series 1000 pumps is possible via a central building management system, remote control (Grundfos GO) or control panel.

The purpose of controlling a pump is to monitor and control the pressure, temperature, flow rate and liquid level of the system.

For further information on control options of the pumps, see section Communication.

9. TPE2



TPE2 and TPE2 D pumps

Technical data

Flow rate:	Up to 120 m ³ /h
Head:	Up to 25 m
Liquid temperature:	-25 to +120 °C (140 °C for a short period)
Maximum operating pressure:	16 bar
Motor sizes, single-phase:	0.25 to 1.5 kW
Motor sizes, three-phase:	0.25 to 2.2 kW

Construction

Via an external signal from a sensor or a controller, the pumps allow for any configuration and control method required, that is constant pressure, temperature, flow or level.

The permanent-magnet motor has a built-in frequency converter for continuous adjustment of the pressure to the flow rate. All pumps are fitted with Grundfos permanent-magnet MGE motors that have motor efficiency class IE5 according to IEC 60034-30-2.

The range is a preset solution for quick and safe installation.

The pumps are available as single-head, TPE2 and twin-head, TPE2 D pumps.

The pumps have PN 6, PN 10 or PN 16 flanges.

The pumps are fitted with an unbalanced mechanical shaft seal.

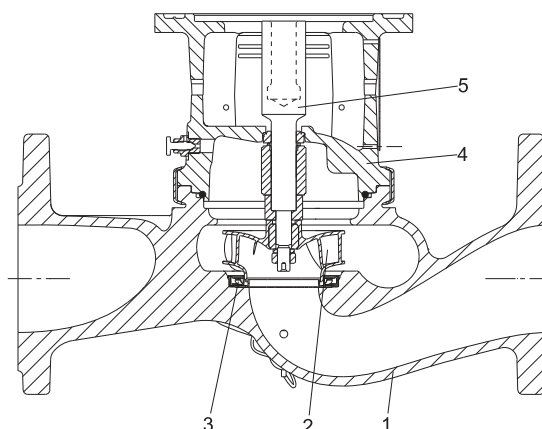
The power head (motor, pump head and impeller) and pump housing are held together by a specially designed clamp. The clamp allows for fast repositioning of the pump housing and fast service of the pump.

The twin-head pumps are designed with two parallel power heads. A flap valve in the common outlet port is opened by the flow of the pumped liquid and prevents backflow of liquid into the idle pump head.

As radial and axial forces are absorbed by the fixed bearing in the motor drive-end, the pump requires no bearing.

Pumps with stainless steel pump housing, version I, are suitable for hot water recirculation.

Materials



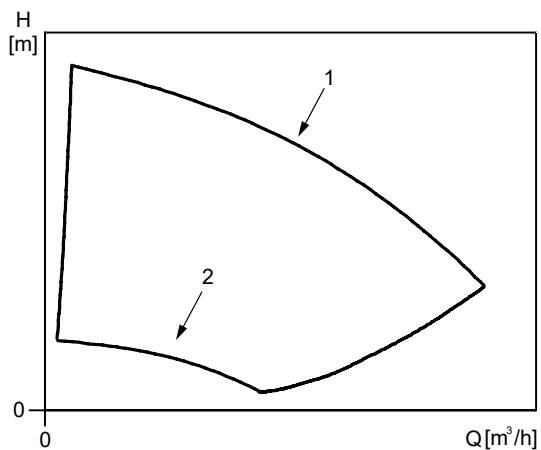
Sectional drawing of a TPE2 pump

Material specification

Pos.	Component	Material	EN/DIN
1	Pump housing	Cast iron EN-GJL-250	EN1561
		Stainless steel	EN 1.4308
2	Impeller	Composite PES-GF30	
3	Neck ring	Stainless steel	EN 1.4404
4	Pump head/motor stool	Cast iron EN-GJL-250	EN1561
		Stainless steel	EN 1.4308
	Secondary seals	EPDM	
	Rotating seal face	Silicon carbide	
	Stationary seat	Carbon (resin-impregnated) Silicon carbide	
5	Stub shaft	Stainless steel	EN 1.4404

Applications

The pumps have integrated speed control for automatic adaptation of performance to current conditions. The energy consumption is thus kept at a minimum. The pumps can operate at any duty point within the range between minimum and maximum speed.



TM014916

Duty range of TPE2

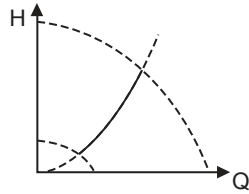
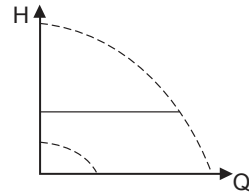
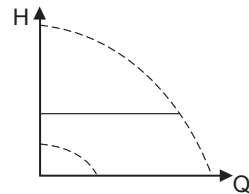
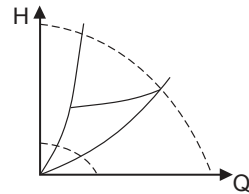
Pos.	Description
1	Maximum speed
2	Minimum speed

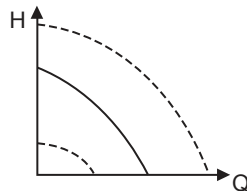
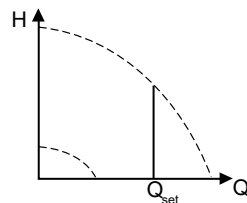
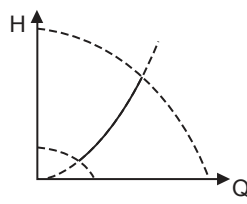
Depending on the application, the pumps offer energy savings, increased comfort or improved processing. The pumps can be fitted with sensor types meeting the requirements mentioned in section Accessories.

Constant curve

The pumps are factory-set to constant-curve control mode.

System application	Select this control mode	Pump type
<p>In systems with relatively large pressure losses in the distribution pipes and in air-conditioning and cooling systems.</p> <ul style="list-style-type: none"> • Two-pipe heating systems with thermostatic valves and the following: <ul style="list-style-type: none"> • very long distribution pipes • strongly throttled pipe balancing valves • differential-pressure regulators • large pressure losses in those parts of the system through which the total quantity of water flows, for example boiler, heat exchanger and distribution pipe up to the first branching • primary circuit pumps in systems with large pressure losses in the primary circuit • air-conditioning systems with the following: <ul style="list-style-type: none"> - heat exchangers (fan coils) - cooling ceilings - cooling surfaces. 	<p>Constant differential-pressure with differential pressure sensor located in the system</p>	All
<p>In systems with relatively small pressure losses in the distribution pipes.</p> <ul style="list-style-type: none"> • Two-pipe heating systems with thermostatic valves and the following: <ul style="list-style-type: none"> - sized for natural circulation - small pressure losses in those parts of the system through which the total quantity of water flows, for example boiler, heat exchanger and distribution pipe up to the first branching, or modified to a high differential temperature between flow pipe and return pipe, for example district heating. • Underfloor heating systems with thermostatic valves. • One-pipe heating systems with thermostatic valves or pipe balancing valves. • Primary circuit pumps in systems with small pressure losses in the primary circuit. 	<p>Constant differential pressure</p>	All
<p>In pressure boosting systems.</p>	<p>Constant pressure</p>	All
<p>In systems with a fixed system characteristic.</p> <p>Examples:</p> <ul style="list-style-type: none"> • one-pipe heating systems • boiler shunts • systems with three-way valves • hot water recirculation. 	<p>Constant temperature and constant differential temperature</p>	All



System application	Select this control mode	Pump type
<p>If an external controller is installed, the pump is able to change from one constant curve to another, depending on the value of the external signal.</p> <p>The pump can also be set to operate according to the maximum or minimum curve, like an uncontrolled pump:</p> <ul style="list-style-type: none"> Use the maximum curve mode in periods in which a maximum flow rate is required. This operating mode is for instance suitable for hot-water priority. Use the minimum curve mode in periods in which a minimum flow rate is required. This operating mode is for instance suitable for manual night setback instead of automatic night setback. 	<p>Constant curve</p> 	All
<p>In systems requiring a constant flow rate, independently of pressure drop.</p> <p>Examples:</p> <ul style="list-style-type: none"> chillers for air-conditioning heating surfaces cooling surfaces. 	<p>Constant flow rate</p> 	All
<p>In systems requiring a constant tank level, independently of the flow rate.</p> <p>Examples:</p> <ul style="list-style-type: none"> process water tanks boiler condensate tanks. 	<p>Constant level</p> 	All
<p>In systems with pumps operating in parallel.</p> <p>The multipump function enables the control of single-head pumps connected in parallel (two to four pumps) and twin-head pumps without the use of external controllers. The pumps in a multipump system communicate with each other via the wireless GENIair connection or the wired GENI connection.</p>	<p>Assist menu Multipump setup</p>	All

Related information

[27. Accessories](#)

Multipump system

The multipump function enables the control of up to four single-head pumps connected in parallel or twin-head pumps without the use of external controllers. The pumps in a multipump system communicate with each other via the wireless GENIair connection or the wired GENI connection.

For further information on multipump system, see section Multipump system.

Related information

[Multipump function](#)

Control options

Communication with the pumps is possible via a central building management system, Grundfos GO or control panel.

The purpose of controlling TPE2 pumps is to monitor and control the pressure, temperature, flow rate and liquid level of the system.

For further information on control options of TPE2 pumps, see section Communication.

10. TPE3



TPE3 and TPE3 D pumps

Technical data

Flow rate:	Up to 120 m ³ /h
Head:	Up to 25 m
Liquid temperature:	-25 to +120 °C (140 °C for a short period)
Maximum operating pressure:	16 bar
Motor sizes, single-phase:	0.25 to 1.5 kW
Motor sizes, three-phase:	0.25 to 2.2 kW

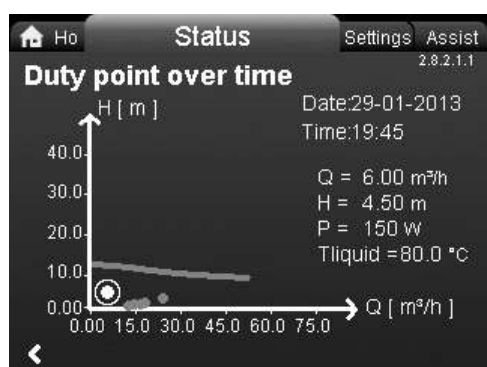
Construction

The pumps have built-in differential-pressure and temperature sensor.

The permanent-magnet motor has a built-in frequency converter for continuous adjustment of the pressure to the flow rate. All pumps are fitted with Grundfos permanent-magnet MGE motors that have motor efficiency class IE5 according to IEC 60034-30-2.

The range is a preset solution for quick and safe installation.

The pump has a colour display for easy and intuitive pump setup and with full access to all functions.



Example of status display for TPE3 pumps

The pumps are available as single-head, TPE3, and twin-head, TPE3 D, pumps.

The pumps have PN 6, PN 10 or PN 16 flanges.

The pumps are fitted with an unbalanced mechanical shaft seal.

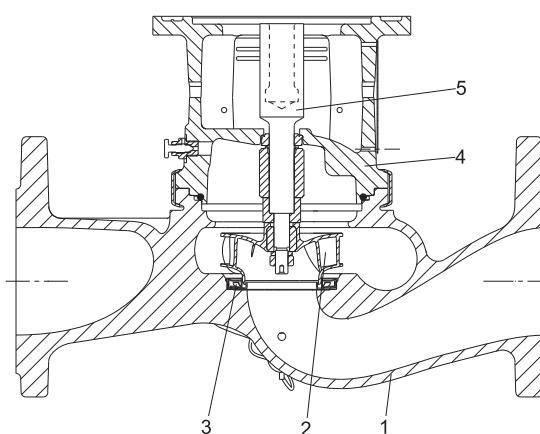
The power head (motor, pump head and impeller) and pump housing are held together by a specially designed clamp. The clamp allows for fast repositioning of the pump housing and fast service of the pump.

The twin-head pumps are designed with two parallel power heads. A flap valve in the common outlet port is opened by the flow of the pumped liquid and prevents backflow of liquid into the idle pump head.

As radial and axial forces are absorbed by the fixed bearing in the motor drive-end, the pump requires no bearing.

Pumps with stainless-steel pump housing, version I, are suitable for hot water recirculation.

Materials



Sectional drawing of a TPE3 pump

Material specification

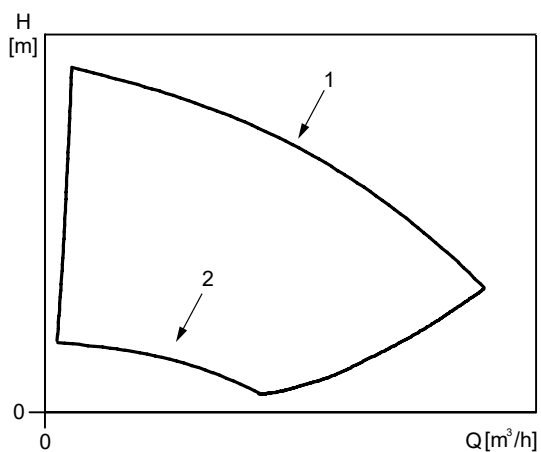
Pos.	Component	Material	EN/DIN
1	Pump housing	Cast iron EN-GJL-250	EN1561
		Stainless steel	EN 1.4308
2	Impeller	Composite PES-GF30	
3	Neck ring	Stainless steel	EN 1.4404
4	Pump head/motor stool	Cast iron EN-GJL-250	EN1561
		Stainless steel	EN 1.4308
	Secondary seals	EPDM	
	Rotating seal face	Silicon carbide	
	Stationary seat	Carbon (resin-impregnated)	
		Silicon carbide	
5	Stub shaft	Stainless steel	EN 1.4404

Applications

The pumps have integrated speed control for automatic adaptation of performance to current conditions.

The energy consumption is thus kept at a minimum.

The pumps can operate at any duty point within the range between minimum and maximum speed.



Duty range of TPE3

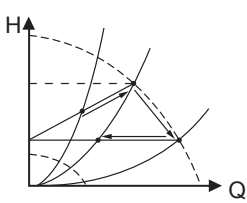
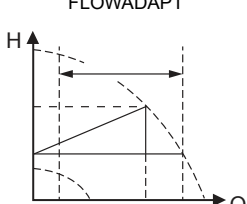
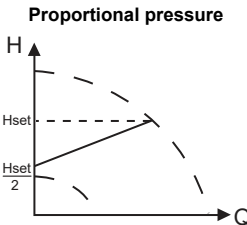
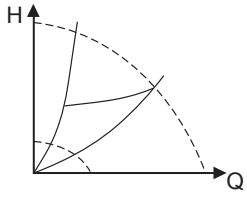
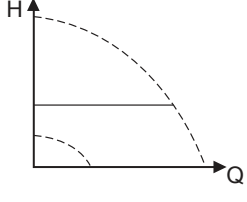
Pos.	Description
1	Maximum speed
2	Minimum speed

Depending on the application, the pumps offer energy savings, increased comfort or improved processing.

The pumps are suitable for applications requiring pressure control.

AUTOADAPT

TPE3 pumps are factory-set to AUTOADAPT which continuously adapts the pump performance according to the actual system characteristic.

System application	Select this control mode	Pump type
<p>Recommended for most heating systems, especially in systems with relatively large pressure losses in the distribution pipes. See description under proportional pressure. In replacement situations where the proportional-pressure duty point is unknown. The duty point has to be within the AUTOADAPT operating range. During operation, the pump automatically makes the necessary adjustment to the actual system characteristics.</p> <p>This setting ensures minimum energy consumption and low noise level from the valves, and therefore reduces operating costs and increases comfort.</p>	<p>AUTOADAPT</p> 	All
<p>The FLOWADAPT control mode is a combination of AUTOADAPT and FLOWLIMIT. This control mode is suitable for systems where a maximum flow limit, FLOWLIMIT, is desired. The pump continuously monitors and adjusts the flow, thus ensuring that the selected FLOWLIMIT is not exceeded.</p> <p>Main pumps in boiler applications where a steady flow through the boiler is required. No extra energy is used for pumping too much liquid into the system.</p> <p>In systems with mixing loops, the control mode can control the flow in each loop.</p> <p>Benefits:</p> <ul style="list-style-type: none"> Enough water for all loops at peak load conditions if each loop has been set to the right maximum flow. The dimensioned flow for each zone (required heat energy) is determined by the flow from the pump. This value can be set precisely in the FLOWADAPT control mode without the use of pump throttling valves. When the flow is set lower than the balancing valve setting, the pump ramps down instead of losing energy by pumping against a balancing valve. Cooling surfaces in air-conditioning systems operate at high pressure and low flow. 	<p>FLOWADAPT</p> 	All
<p>In systems with relatively large pressure losses in the distribution pipes and in air-conditioning and cooling systems.</p> <ul style="list-style-type: none"> Two-pipe heating systems with thermostatic valves and the following: <ul style="list-style-type: none"> very long distribution pipes strongly throttled pipe balancing valves differential-pressure regulators large pressure losses in those parts of the system through which the total quantity of water flows, for example boiler, heat exchanger and distribution pipe up to the first branching. Primary circuit pumps in systems with large pressure losses in the primary circuit. Air-conditioning systems with the following: <ul style="list-style-type: none"> heat exchangers (fan coils) cooling ceilings cooling surfaces. 	<p>Proportional pressure</p> 	All
<p>In systems with relatively large pressure losses in the distribution pipes and in air-conditioning and cooling systems.</p> <ul style="list-style-type: none"> Two-pipe heating systems with thermostatic valves and the following: <ul style="list-style-type: none"> very long distribution pipes strongly throttled pipe balancing valves differential-pressure regulators large pressure losses in those parts of the system through which the total quantity of water flows, for example boiler, heat exchanger and distribution pipe up to the first branching. Primary circuit pumps in systems with large pressure losses in the primary circuit. Air-conditioning systems with the following: <ul style="list-style-type: none"> heat exchangers (fan coils) cooling ceilings cooling surfaces. 	<p>Constant differential pressure with differential-pressure sensor located in the system</p> 	All
<p>In systems with relatively small pressure losses in the distribution pipes.</p> <ul style="list-style-type: none"> Two-pipe heating systems with thermostatic valves and the following: <ul style="list-style-type: none"> dimensioned for natural circulation small pressure losses in those parts of the system through which the total quantity of water flows, for example boiler, heat exchanger and distribution pipe up to the first branching modified to a high differential temperature between flow pipe and return pipe, for example district heating. Underfloor heating systems with thermostatic valves. One-pipe heating systems with thermostatic valves or pipe balancing valves. Primary circuit pumps in systems with small pressure losses in the primary circuit. 	<p>Constant differential pressure</p> 	All

System application	Select this control mode	Pump type
In pressure boosting systems.	<p>Constant pressure</p>	All
<p>In systems with a fixed system characteristic.</p> <p>Examples:</p> <ul style="list-style-type: none"> • one-pipe heating systems • boiler shunts • systems with three-way valves • hot water recirculation. <p>You can use FLOWLIMIT with advantage to control the maximum circulation flow.</p>	<p>Constant temperature and constant differential temperature</p>	All
<p>In systems requiring a constant flow, independently of pressure drop.</p> <p>Examples:</p> <ul style="list-style-type: none"> • chillers for air-conditioning • heating surfaces • cooling surfaces. 	<p>Constant flow rate</p>	All
<p>In systems requiring a constant tank level, independently of the flow rate.</p> <p>Examples:</p> <ul style="list-style-type: none"> • process water tanks • boiler condensate tanks. 	<p>Constant level</p>	All
<p>In systems with pumps operating in parallel.</p> <p>The multipump function enables the control of single-head pumps connected in parallel (two to four pumps) and twin-head pumps without the use of external controllers. The pumps in a multipump system communicate with each other via the wireless GENIair connection or the wired GENI connection.</p>	<p>Assist menu Multipump setup</p>	All

Multipump system

The multipump function enables the control of up to four pumps connected in parallel or up to four without the use of external controllers. The pumps in a multipump system communicate with each other via the wireless GENIair connection or the wired GENI connection.

For further information on multipump system, see section Multipump system.

Related information

[Multipump function](#)

Control options

Communication with the pumps is possible via the control panel, Grundfos GO or a central building management system.

The purpose of controlling the pumps is to monitor and control the pressure, temperature, flow rate of the system.

For further information on control options of the pumps, see section Communication.

11. User interfaces for TPE pumps

You can make pump settings by means of the following user interfaces:

Control panels

- TPE2 and TPE Series 1000 pumps.
- Advanced control panel for TPE3 pumps.

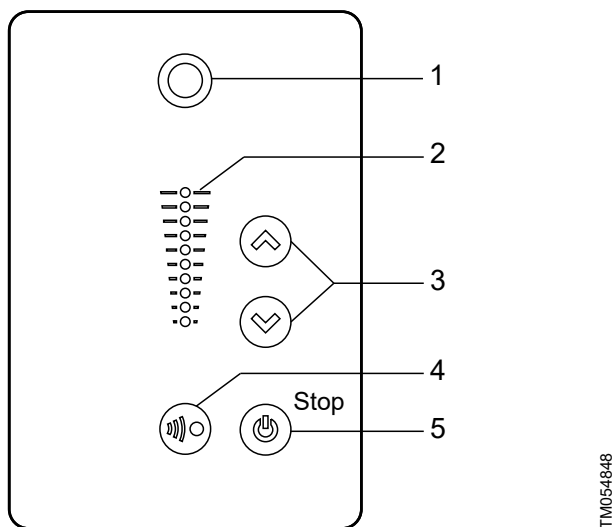
Remote controls

- Grundfos GO.

If the power supply to the pump is switched off, the settings will be stored.

Control panel for TPE2 and TPE Series 1000 pumps

Pump variant	Fitted as standard	Option
TPE3, TPE3 D	-	•
TPE2, TPE2 D	•	-
TPE Series 1000	•	-



TM054848

Standard control panel

Pos.	Symbol	Description
1		Grundfos Eye The indicator light shows the operating status of the pump. See section Grundfos Eye for further information.
2	-	Light fields for indication of setpoint.
3		Up and down. The buttons change the setpoint.
4		The button allows radio communication with Grundfos GO and other products of the same type. When you try to establish radio communication between the pump and Grundfos GO or another pump, the green indicator light in Grundfos Eye on the pump flashes continuously. Press on the pump control panel to allow radio communication with Grundfos GO and other products of the same type.
5		The button makes the pump ready for operation and starts and stops the pump. Start: If you press the button when the pump is stopped, the pump will only start if no other functions with higher priority have been enabled. Stop: If you press the button when the pump is running, the pump always stops. The Stop text next to the button is on.

Related information

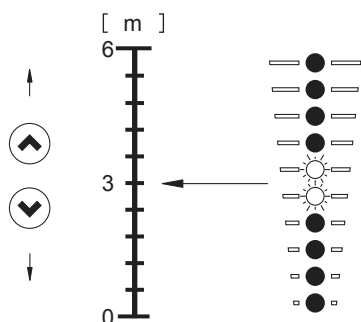
[Grundfos Eye](#)

Setpoint setting

Set the desired setpoint of the pump by pressing **Up** or **Down**. The light fields on the control panel indicates the setpoint set.

Pump in differential-pressure control mode

The following example applies to a pump in an application where a pressure sensor gives a feedback to the pump. If you retrofit the sensor to the pump, set it manually as the pump does not automatically register a connected sensor. The figure below shows that light fields 5 and 6 are activated, indicating a desired setpoint of 3 m with a sensor measuring range from 0 to 6 m. The setting range is equal to the sensor measuring range.

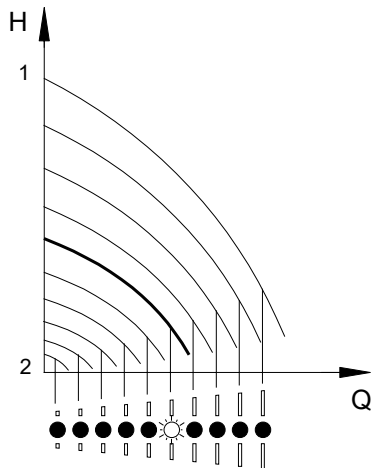


TM057958

Setpoint set to 3 m, differential-pressure control

Pump in constant-curve control mode

In constant-curve control mode, the pump performance is between the maximum and minimum curve of the pump.



TM054895

Pump in constant-curve control mode

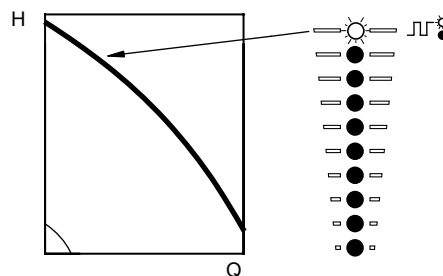
Pos.	Description
1	Max.
2	Min.

Setting to maximum curve:

- Press **Up** continuously to change over to the maximum curve of the pump. The top light field flashes. When the top light field is on, press **Up** for 3 seconds until the light field starts flashing.
- To change back, press **Up** continuously until the desired setpoint is indicated.

Example: Pump set to maximum curve.

The figure below shows that the top light field is flashing, indicating maximum curve.



TM054896

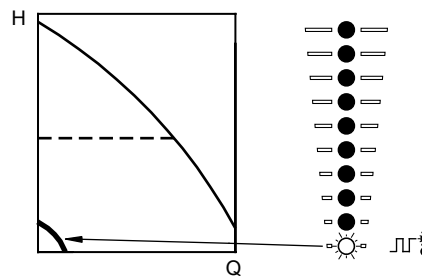
Maximum curve duty

Setting to minimum curve:

- Press **Down** continuously to change over to the minimum curve of the pump. The bottom light field flashes. When the bottom light field is on, press **Down** for 3 seconds until the light field starts flashing.
- To change back, press **Down** continuously until the light field starts flashing.

Example: Pump set to minimum curve.

The figure below shows that the bottom light field is flashing, indicating minimum curve.



TM054897

Minimum curve duty

Start and stop of pump

Note: If you have stopped the pump by pressing **Start/Stop** and the **Stop** text on the control panel is on, you can only give it free to operation by pressing **Start/Stop** again.

If you have stopped the pump by pressing **Down**, you can restart it by pressing **Up** or by using Grundfos GO.

Start the pump by pressing **Start/Stop** or by continuously pressing **Up** until the desired setpoint is indicated.

Stop the pump by pressing **Start/Stop**. When the pump is stopped, the "Stop" text next to the button will illuminate.

You can also stop the pump by continuously pressing **Down** until none of the light fields are on.

You can also stop the pump with Grundfos GO or via a digital input set to **External stop**.

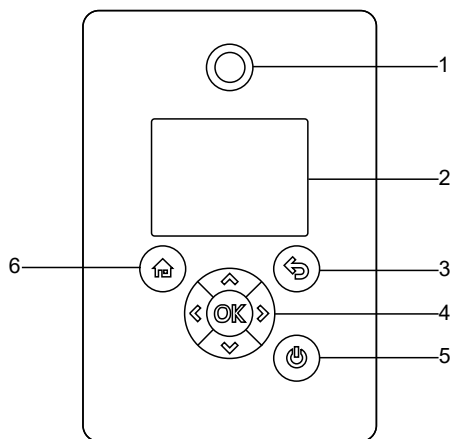
Resetting of fault indications

Reset a fault indication in one of the following ways:

- Via the digital input if it has been set to **Alarm resetting**.
- Briefly press **Up** or **Down** on the pump. This will not change the setting of the pump. You cannot reset a fault indication by pressing **Up** or **Down** if the buttons have been locked.
- Switch off the power supply until the indicator lights are off.
- Switch the external start-stop input off and then on again.
- With Grundfos GO.

Advanced control panel for TPE3

Pump variant	Fitted as standard	Option
TPE3, TPE3 D	•	-
TPE2, TPE2 D	-	•
TPE Series 1000	-	•

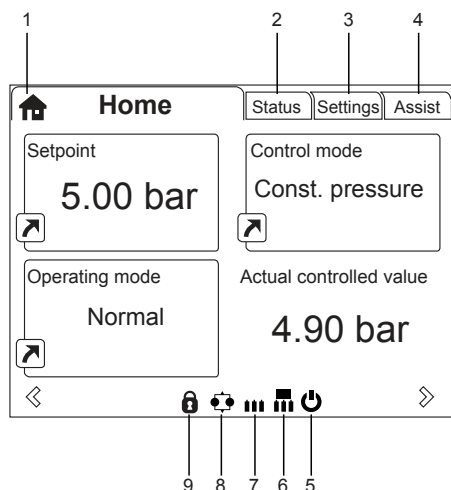


TM054849

Advanced control panel

Pos.	Symbol	Description
1		Grundfos Eye: The indicator light shows the operating status of the product.
2	-	Graphical colour display.
3		Back: Press the button to go one step back.
		Left/Right: Press the buttons to navigate between main menus, displays and digits. When you change the menu, the display shows the top display of the new menu.
		Up/Down: Press the buttons to navigate between submenus or change the value settings. If you have disabled the possibility to make settings with the Enable/disable settings function, you can enable it again temporarily by pressing these buttons simultaneously for at least 5 seconds.
4		OK: Press the button to do as follows: <ul style="list-style-type: none"> • save changed values, reset alarms and expand the value field • enable communication with Grundfos GO and other products of the same type. When you try to establish radio communication between the product and Grundfos GO or another product, the green indicator light in Grundfos Eye flashes. In the controller display, a note states that a device wants to connect to the product. Press OK on the product operating panel to allow communication with Grundfos GO or Grundfos GO Link and other products of the same type.
5		Start/Stop: Press the button to make the product ready for operation or to start and stop the product. Start: If you press the button when the product is stopped, the product starts if no other functions with higher priority have been enabled. Stop: If you press the button when the product is running, the product always stops. When you press the button, the stop icon appears at the bottom of the display.
6		Home: Press the button to go to the Home menu.

Home display



TM064516

Example of Home display

Pos.	Symbol	Description
1		Home: This menu shows up to four user-defined parameters. You can access each parameter directly from this menu.
2	-	Status: This menu shows the status of the product and system, warnings and alarms.
3	-	Settings: This menu gives access to all setting parameters. The menu also allows you to make detailed settings.
4	-	Assist: This menu enables assisted setup, provides a short description of the control modes and offers fault-finding advice.
5		Start/Stop: The icon indicates that the product was stopped with the Start/Stop button.
6		Master: The icon indicates that the product is functioning as the master in a multipump system.
7		Slave: The icon indicates that the product is functioning as a slave in a multipump system.
8		Multioperation: The icon indicates that the product is operating in a multipump system.
9		Lock: The icon indicates that the possibility to make settings has been disabled for protective reasons.

Startup guide

The pump incorporates a startup guide which is started at the first startup. See section Run startup guide. After the startup guide, the main menus appear in the display.

Related information

[Run start-up guide](#)

Menu overview for advanced control panel

Main menus

	TPE3, TPE3 D	TPE2, TPE2 D	TPE Series 1000	Multipump system
Home	•	•	•	•
Status				
	TPE3, TPE3 D	TPE2, TPE2 D	TPE Series 1000	Multipump system
Operating status	•	• ⁽²⁰⁾	• ⁽²⁰⁾	•
Operating mode, from	•	• ⁽²⁰⁾	• ⁽²⁰⁾	•
Control mode	•	• ⁽²⁰⁾	• ⁽²⁰⁾	•
Pump performance	•	• ⁽²⁰⁾	• ⁽²⁰⁾	•
Actual controlled value	•	• ⁽²⁰⁾	• ⁽²⁰⁾	•
Max. curve and duty point	•	-	-	-
Resulting setpoint	•	• ⁽²⁰⁾	• ⁽²⁰⁾	•
Liquid temp.	•	-	-	-
Speed	•	• ⁽²⁰⁾	• ⁽²⁰⁾	•
Acc. flow and specific energy	•	• ⁽²⁰⁾	• ⁽²⁰⁾	•
Power and energy consumption	•	• ⁽²⁰⁾	• ⁽²⁰⁾	•
Measured values	•	• ⁽²⁰⁾	• ⁽²⁰⁾	•
Analog input 1	•	• ⁽²⁰⁾	• ⁽²⁰⁾	•
Analog input 2	•	• ⁽²⁰⁾	• ⁽²⁰⁾	•
Analog input 3	•	• ⁽²⁰⁾	• ⁽²⁰⁾	•
Pt100/1000 input 1	•	• ⁽²⁰⁾	• ⁽²⁰⁾	•
Pt100/1000 input 2	•	• ⁽²⁰⁾	• ⁽²⁰⁾	•
Analog output	•	• ⁽²⁰⁾	• ⁽²⁰⁾	•
Warning and alarm	•	• ⁽²⁰⁾	• ⁽²⁰⁾	•
Actual warning or alarm	•	• ⁽²⁰⁾	• ⁽²⁰⁾	•
Warning log	•	• ⁽²⁰⁾	• ⁽²⁰⁾	•
Alarm log	•	• ⁽²⁰⁾	• ⁽²⁰⁾	•
Heat energy monitor	•	-	-	•
Heat power	•	-	-	•
Heat energy	•	-	-	•
Flow rate	•	-	-	•
Volumn	•	-	-	•
Hour counter	•	-	-	•
Temperature 1	•	-	-	•
Temperature 2	•	-	-	•
Differential temp.	•	-	-	•
Operating log	•	• ⁽²⁰⁾	• ⁽²⁰⁾	•
Operating hours	•	• ⁽²⁰⁾	• ⁽²⁰⁾	•
Trend data	•	-	-	•
Fitted modules	•	• ⁽²⁰⁾	• ⁽²⁰⁾	•
Date and time	•	• ⁽²⁰⁾	• ⁽²⁰⁾	•
Product identification	•	• ⁽²⁰⁾	• ⁽²⁰⁾	•

Status	TPE3, TPE3 D	TPE2, TPE2 D	TPE Series 1000	Multipump system
Motor bearing monitoring	●	● ²⁰⁾	● ²⁰⁾	●
Multi-pump system	-	-	-	●
System operating status	-	-	-	●
System performance	-	-	-	●
System input power and energy	-	-	-	●
Pump 1, multi-pump system	-	-	-	●
Pump 2, multi-pump system	-	-	-	●
Pump 3, multi-pump system	-	-	-	●
Pump 4, multi-pump system	-	-	-	●

²⁰⁾ The advanced control panel is available as an option on TPE2 and TPE Series 1000 pumps, 0.12 - 22 kW.

● Available.

Settings	TPE3, TPE3 D	TPE2, TPE2 D	TPE Series 1000	Multipump system
Setpoint	●	● ²⁰⁾	● ²⁰⁾	●
Operating mode	●	● ²⁰⁾	● ²⁰⁾	●
Set manual speed	●	● ²⁰⁾	● ²⁰⁾	●
Set user defined speed	●	● ²⁰⁾	● ²⁰⁾	●
Control mode	●	● ²⁰⁾	● ²⁰⁾	●
FLOWLIMIT	●	-	-	●
Automatic night setback	●	-	-	●
Setting the proportional pressure	●	-	-	●
Analog inputs	●	● ²⁰⁾	● ²⁰⁾	●
Analog input 1, setup	●	● ²⁰⁾	● ²⁰⁾	●
Analog input 2, setup	●	● ²⁰⁾	● ²⁰⁾	●
Analog input 3, setup	●	● ²⁰⁾	● ²⁰⁾	●
Built-in Grundfos sensor	●	-	-	●
Pt100/1000 inputs ²¹⁾	●	● ²⁰⁾	● ²⁰⁾	●
Pt100/1000 input 1, setup	●	● ²⁰⁾	● ²⁰⁾	●
Pt100/1000 input 2, setup	●	● ²⁰⁾	● ²⁰⁾	●
Digital inputs	●	● ²⁰⁾	● ²⁰⁾	●
Digital input 1, setup	●	● ²⁰⁾	● ²⁰⁾	●
Digital input 2, setup	●	● ²⁰⁾	● ²⁰⁾	●
Digital inputs/outputs	●	● ²⁰⁾	● ²⁰⁾	●
Digital input/output 3, setup	●	● ²⁰⁾	● ²⁰⁾	●
Digital input/output 4, setup	●	● ²⁰⁾	● ²⁰⁾	●
Relay outputs	●	● ²⁰⁾	● ²⁰⁾	●
Relay output 1	●	● ²⁰⁾	● ²⁰⁾	●
Relay output 2	●	● ²⁰⁾	● ²⁰⁾	●
Analog output ²¹⁾	●	● ²⁰⁾	● ²⁰⁾	●
Output signal	●	● ²⁰⁾	● ²⁰⁾	●
Function of analog output	●	● ²⁰⁾	● ²⁰⁾	●
Controller settings	●	● ²⁰⁾	● ²⁰⁾	●
Operating range	●	● ²⁰⁾	● ²⁰⁾	●
Setpoint influence	●	● ²⁰⁾	● ²⁰⁾	●
Ext. setpoint infl.	●	● ²⁰⁾	● ²⁰⁾	●

Settings	TPE3, TPE3 D	TPE2, TPE2 D	TPE Series 1000	Multipump system
Predefined setpoint	•	• ²⁰⁾	• ²⁰⁾	•
Temperature influence	•	-	-	•
Monitoring functions	•	• ²⁰⁾	• ²⁰⁾	•
Motor bearing monitoring	•	• ²⁰⁾	• ²⁰⁾	•
Alarm handling	•	• ²⁰⁾	• ²⁰⁾	•
Motor bearing maintenance	•	• ²⁰⁾	• ²⁰⁾	•
Limit-exceeded function	•	• ²⁰⁾	• ²⁰⁾	•
Special functions	•	• ²⁰⁾	• ²⁰⁾	•
Pulse flowmeter setup	•	• ²⁰⁾	• ²⁰⁾	•
Ramps	•	• ²⁰⁾	• ²⁰⁾	•
Standstill heating	•	• ²⁰⁾	• ²⁰⁾	•
Communication	•	• ²⁰⁾	• ²⁰⁾	•
Pump number	•	• ²⁰⁾	• ²⁰⁾	•
Enable/disable radio comm.	•	• ²⁰⁾	• ²⁰⁾	•
Enable/disable Bluetooth comm. ²¹⁾	•	• ²⁰⁾	• ²⁰⁾	•
Initiate Bluetooth connection ²¹⁾	•	• ²⁰⁾	• ²⁰⁾	•
Setup of AYB terminals ²¹⁾	•	• ²⁰⁾	• ²⁰⁾	•
Setup of Ethernet ²¹⁾	•	• ²⁰⁾	• ²⁰⁾	•
General settings	•	• ²⁰⁾	• ²⁰⁾	•
Language	•	• ²⁰⁾	• ²⁰⁾	•
Set date and time	•	• ²⁰⁾	• ²⁰⁾	•
Units	•	• ²⁰⁾	• ²⁰⁾	•
Enable/disable settings	•	• ²⁰⁾	• ²⁰⁾	•
Delete history	•	• ²⁰⁾	• ²⁰⁾	•
Define Home display	•	• ²⁰⁾	• ²⁰⁾	•
Display settings	•	• ²⁰⁾	• ²⁰⁾	•
Store actual settings	•	• ²⁰⁾	• ²⁰⁾	•
Recall stored settings	•	• ²⁰⁾	• ²⁰⁾	•
Run start-up guide	•	• ²⁰⁾	• ²⁰⁾	•

²¹⁾ Only available if an advanced functional module, type FM310 or FM311, is fitted.

Assist	TPE3, TPE3 D	TPE2, TPE2 D	TPE Series 1000	Multipump system
Assisted pump setup	•	•	•	•
Setup, analog input	•	•	•	•
Setting of date and time	•	•	•	•
Setup of multi-pump system	•	•	•	•
Description of control mode	•	•	•	•
Assisted fault advice	•	•	•	•

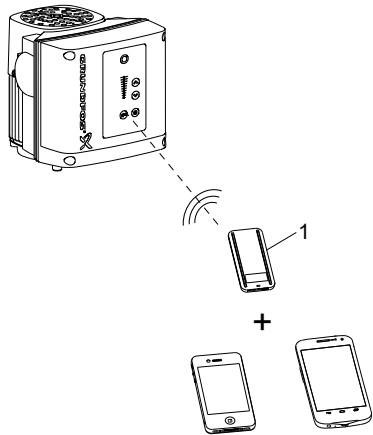
Grundfos GO

Grundfos GO, up to 11 kW 2-pole and 7.5 kW 4-pole

The pump is designed for wireless radio or infrared communication with Grundfos GO.

Grundfos GO enables setting of functions and gives access to status overviews, technical product information and actual operating parameters.

Grundfos GO offers the following mobile interface, MI.



TM066256

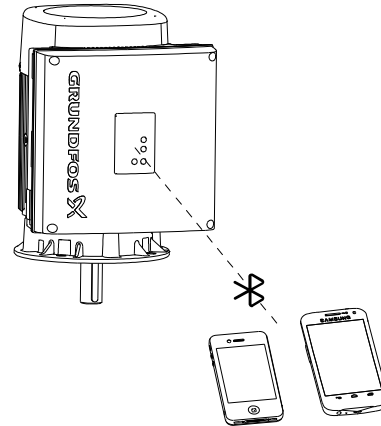
Grundfos GO communicating with the pump via radio or infrared connection, IR

Pos.	Description
1	Grundfos MI 301: Separate module enabling radio or infrared communication. You can use the module in conjunction with an Android or iOS-based smart device with Bluetooth connection.

Grundfos GO, from 15-22 kW 2-pole and 11 - 18.5 kW 4-pole

The product is designed for wireless communication with Grundfos GO using Bluetooth (BLE).

Grundfos GO enables you to set functions and gives you access to status overviews, technical product information and current operating parameters.



TM082930

Communication

When Grundfos GO initiates communication with the pump, the indicator light in the middle of Grundfos Eye flashes green. See section Priority of settings.

Furthermore, on pumps fitted with an advanced control panel a text appears in the display saying that a wireless device is trying to establish connection. Press **OK** on the pump in order to establish connection with Grundfos GO or press **Home** to reject connection.

Establish communication using one of these communication types:

- radio communication
- infrared communication
- Bluetooth communication

Related information

[Priority of settings](#)

Menu overview for Grundfos GO

Main menus

	TPE3, TPE3 D	TPE2, TPE2 D	TPE Series 1000	Multipump system
Dashboard	•	•	•	•
View all metrics	TPE3, TPE3 D	TPE2, TPE2 D	TPE Series 1000	Multipump system
Pump and application	•	•	•	•
Actual controlled value	•	•	•	•
Acc. flow, specific energy	•	•	•	•
Energy consumption	•	•	•	•
Energy consumption, system	-	-	-	•
Power consumption	•	•	•	-
Power consumption, system	-	-	-	•
Motor bearing service	•	•	•	-
Resulting setpoint	•	•	•	-
Resulting system setpoint	-	-	-	•
Motor speed	•	•	•	-
Pump 1	-	-	-	•
Pump 2	-	-	-	•
Pump 3	-	-	-	•
Pump 4	-	-	-	•
Operating Log	•	•	•	•
Operating hours	•	•	•	-
Operating hours, system	-	-	-	•
Motor current	•	•	•	-
Number of starts	•	•	•	-
Liquid temperature	•	-	-	-
Inputs/outputs	•	•	•	-
Analog input 1	•	•	•	-
Analog input 2	•	•	•	-
Analog input 3	•	•	•	-
Analog, Output	•	•	•	-
Pt100/1000 input 1	•	•	•	-
Pt100/1000 input 2	•	•	•	-
Digital input 1	•	•	•	-
Digital input 2	•	•	•	-
Digital input/output 3	•	•	•	-
Digital input/output 4	•	•	•	-
Monitored metrics	•	•	•	•
Ambient temperature	•	•	•	•
Differential pressure	•	•	•	•
Differential pressure, inlet/outlet	•	•	•	•
Differential temperature, external	•	•	•	•
External pressure 1	•	•	•	•

View all metrics		TPE3, TPE3 D	TPE2, TPE2 D	TPE Series 1000	Multipump system
	External pressure 2	•	•	•	•
	Feed tank pressure	•	•	•	•
	Flow rate	•	•	•	•
	Pressure: inlet	•	•	•	•
	Pressure: outlet	•	•	•	•
	Other parameter	•	•	•	•
	Tank pressure, external	•	•	•	•
	Temperature 1	•	•	•	•
	Temperature 2	•	•	•	•
Fitted modules		•	•	•	-
	Functional module	•	•	•	-
	Power board	•	•	•	-
	CIM module	•	•	•	-
	Operating panel	•	•	•	-
	Trend data	•	-	-	-
	Heat energy monitor	•	-	-	-
Settings		TPE3, TPE3 D	TPE2, TPE2 D	TPE Series 1000	Multipump system
Pump and application		•	•	•	•
	Pump name	•	•	•	•
	Control mode	•	•	•	•
	FLOWLIMIT	•	-	-	-
	Automatic night setback	•	-	-	-
	Temperature influence	•	-	-	-
	Operating mode	•	•	•	•
	Setpoint	•	•	•	•
	Set user-defined speed	•	•	•	•
	Operating range	•	•	•	•
	Controller	•	•	•	•
	External setpoint funct.	•	•	•	-
	Predefined setpoint	•	•	•	•
	Setting the proportional pressure	•	-	-	-
	Buttons on product	•	•	•	-
	Service	•	•	•	-
	Alternating operation, time	-	-	-	•
	Sensor to be used	-	-	-	•
	Time for pump changeover	-	-	-	•
Inputs/outputs		•	•	•	-
	Analog input 1	•	•	•	-
	Analog input 2	•	•	•	-
	Analog input 3	•	•	•	-
	Built-in Grundfos sensor	•	-	-	-
	Analog output	•	•	•	-
	Pt100/1000 input 1	•	•	•	-
	Pt100/1000 input 2	•	•	•	-
	Digital input 1	•	•	•	-

Settings	TPE3, TPE3 D	TPE2, TPE2 D	TPE Series 1000	Multipump system
Digital input 2	•	•	•	-
Digital input/output 3	•	•	•	-
Digital input/output 4	•	•	•	-
Relay output 1	•	•	•	-
Relay output 2	•	•	•	-
Monitoring functions	•	•	•	-
Alarm handling	•	•	•	-
Limit 1 exceeded	•	•	•	•
Limit 2 exceeded	•	•	•	•
Motor bearing monitoring	•	•	•	-
Special functions	•	•	•	•
Pulse flow meter	•	•	•	-
Ramps	•	•	•	-
Standstill heating	•	•	•	-
Communication	•	•	•	-
Bluetooth communication ²²⁾	•	•	•	-
Radio communication	•	•	•	-
GENibus Number	•	•	•	-
Connectivity and port settings ²²⁾	•	•	•	-
General	•	•	•	-
Connection code	•	•	•	-
Date and time	•	•	•	-
Firmware	•	•	•	-
Store settings	•	•	•	-
Recall settings	•	•	•	-
Undo	•	•	•	-
Unit configuration	•	•	•	-

²²⁾ Only available if an advanced functional module, type FM310 or FM311, is fitted.

Alarms and warnings	TPE3, TPE3 D	TPE2, TPE2 D	TPE, TPE2 Series 1000	Multipump system
Alarm log	•	•	•	•
Warning log	•	•	•	•

Setup	TPE3, TPE3 D	TPE2, TPE2 D	TPE, TPE2 Series 1000	Multipump system
Assisted pump setup	•	•	•	-
Assisted fault advice	•	•	•	-
Application wizard	•	•	•	-
Multi-pump setup	•	•	•	•

Description of selected functions

Heat energy monitor

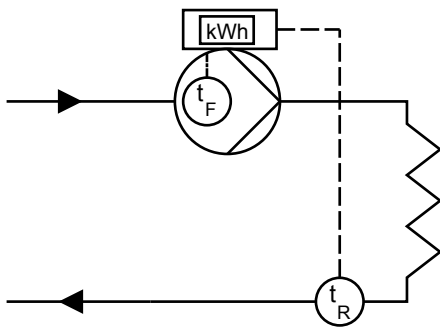
Pump variant	Heat energy monitor
TPE3, TPE3 D	•
TPE2, TPE2 D	-
TPE Series 1000	-

The heat energy monitor is a monitoring function that calculates the heat energy consumption within a system. The built-in flow estimation needed for the calculation has an inaccuracy of $\pm 10\%$ of the maximum flow rate in the area down to 10 % flow and down to 12.5 % of the maximum head. The calculations are based on water at a temperature of 20 °C. Also, the temperature measurements needed for the calculation have some inaccuracy depending on the sensor type. Therefore, you cannot use the heat energy value for billing purposes. However, the value is perfect for optimisation purposes in order to prevent excessive energy costs caused by system imbalances.

The heat energy monitor requires an additional temperature sensor installed in the flow pipe or return pipe depending on where the pump is installed.

Use the analog inputs and/or Pt100/1000 inputs for measuring the temperatures used for calculation by the heat energy monitor.

The used inputs must not be set to **Not active** and one of the measuring parameters must be set to **Temperature 2**.



TM061182

Example: Pump installed in the flow pipe and additional temperature sensor installed in the return pipe

Pos.	Description
t _F	Flow-pipe temperature
t _R	Return-pipe temperature

Setpoint

Pump variant	Setpoint
TPE3, TPE3 D	•
TPE2, TPE2 D	•
TPE Series 1000	•

When you have selected the desired control mode, set the setpoint.

You can set the setpoint for all control modes, except AUTOADAPT and FLOWADAPT, in this submenu when you have selected the desired control mode. See section Control mode.

Factory setting

See section Factory settings of E-pumps.

Related information

[Control mode](#)

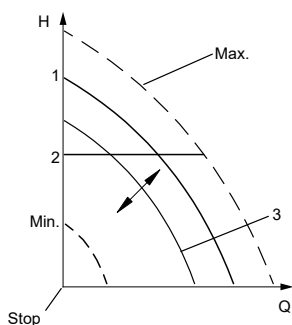
[12. Factory settings of E-pumps](#)

Operating mode

Pump variant	Operating mode
TPE3, TPE3 D	•
TPE2, TPE2 D	•
TPE Series 1000	•

Possible operating modes

Normal	The product runs according to the selected control mode.
Stop	The product stops.
Min.	The product runs at minimum speed. You can use the minimum curve mode in periods in which a minimum flow is required. When operating according to the minimum curve, the pump is operating like an uncontrolled pump.
Max.	The product runs at maximum speed. You can use the maximum curve mode in periods in which a maximum flow is required. When operating according to the maximum curve, the pump is operating like an uncontrolled pump.
Manual	The product is operating at a manually set speed, and the setpoint via bus and setpoint influence function are overruled.
User-defined speed	The product is operating at a speed set by the user.



TM064024

Pos.	Description
1	Normal
2	Normal
3	Manual

Related information

[Set manual speed](#)

[User-defined speed](#)

[12. Factory settings of E-pumps](#)

Set manual speed

Pump variant	Set manual speed
TPE3, TPE3 D	•
TPE2, TPE2 D	•
TPE Series 1000	•

The function is only available in the HMI 300 and 301 operating panels.

Use this function to set the speed in percentage of the maximum speed. When you have set the operating mode to **Manual**, the product starts running at the set speed.

With Grundfos GO, you can set the speed via the **Setpoint** menu.

User-defined speed

Use this function to set the motor speed in percentage of the maximum speed. When you have set the operating mode to **User-defined speed**, the pump starts running at the set speed.

Control mode

Pump variant	Control mode
TPE3, TPE3 D	•
TPE2, TPE2 D	•
TPE Series 1000	•

Note: Not all control modes are available for all pump variants.

Possible control modes:

- **AUTOADAPT**
- **FLOWADAPT**
- **Prop. pressure** (proportional pressure)
- **Const. pressure** (constant pressure)
- **Const. temp.** (constant temperature)
- **Con. diff. press.** (constant differential pressure)
- **Con. diff. temp.** (constant differential temperature)
- **Const. flow rate** (constant flow rate)
- **Const. level** (constant level)
- **Const. other val.** (constant other value)
- **Const. curve** (constant curve).

You can change the setpoint for all control modes, except **AUTOADAPT** and **FLOWADAPT**, in the **Setpoint** submenu under **Settings** when you have selected the desired control mode.

Factory setting

See Factory settings of E-pumps.

Related information

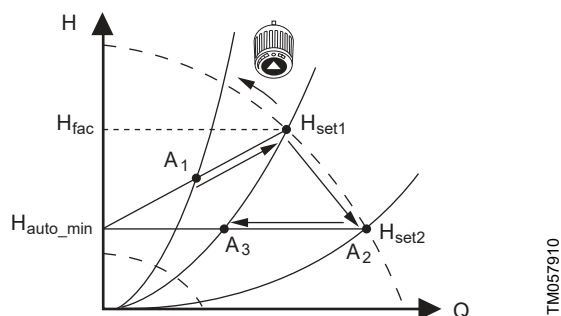
[12. Factory settings of E-pumps](#)

AUTOADAPT

Pump variant	AUTOADAPT
TPE3, TPE3 D	•
TPE2, TPE2 D	-
TPE Series 1000	-

The AUTOADAPT control mode continuously adapts the pump performance according to the actual system characteristic.

Manual setting of the setpoint is not possible.



TM057910

AUTOADAPT

When the AUTOADAPT control mode has been enabled, the pump will start with the factory setting, H_{fac} is equal to H_{set1} , and then adjust its performance to A_1 . See the figure above.

When the pump registers a lower head on the maximum curve, A_2 , the AUTOADAPT function automatically selects a correspondingly lower control curve, H_{set2} . If the valves in the system close, the pump adjusts its performance to A_3 .

- A_1 : Original duty point.
- A_2 : Lower registered head on the maximum curve.
- A_3 : New duty point after AUTOADAPT control.
- H_{set1} : Original setpoint setting.
- H_{set2} : New setpoint after AUTOADAPT control.
- H_{fac} : Factory setting.
- H_{auto_min} : A fixed value of 1.5 m.

The AUTOADAPT control mode is a form of proportional-pressure control where the control curves have a fixed origin, H_{auto_min} .

The AUTOADAPT control mode has been developed specifically for heating systems and we do not recommend that you use it for air-conditioning and cooling systems.

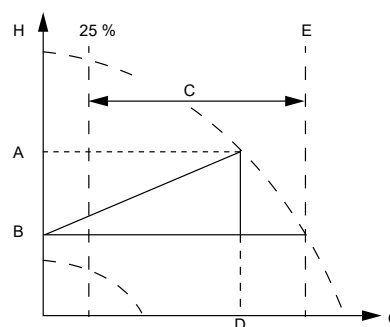
FLOWADAPT

Pump variant	FLOWADAPT
TPE3, TPE3 D	•
TPE2, TPE2 D	-
TPE Series 1000	-

When you select FLOWADAPT, the pump runs AUTOADAPT and ensures that the flow rate never exceeds the entered FLOWLIMIT value.

The setting range for FLOWLIMIT is 25 to 90% of the maximum flow rate of the pump.

The factory setting of the FLOWLIMIT is the flow rate where the AUTOADAPT factory setting meets the maximum curve.



TM1040390

FLOWADAPT

Pos.	Description
A	H_{fac}
B	H_{auto_min}
C	Setting range
D	Q_{fac}
E	$90\%Q_{max}$

Proportional pressure

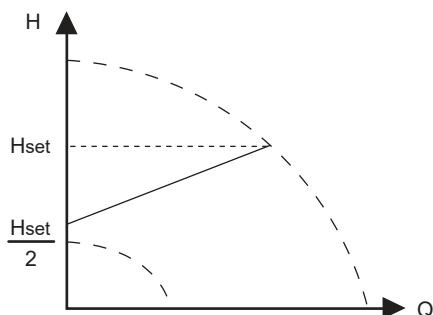
Pump variant	Proportional pressure
TPE3, TPE3 D	•
TPE2, TPE2 D	-
TPE Series 1000	-

The head of the pump is reduced at decreasing water demand and increased at rising water demand. See the figure below.

This control mode is especially suitable in systems with relatively large pressure losses in the distribution pipes. The head of the pump increases proportionally to the flow in the system to compensate for the large pressure losses in the distribution pipes.

You can set the setpoint with an accuracy of 0.1 m. The head against a closed valve is half the setpoint. The setting range is between 25 % and 90 % of maximum head.

For more information about settings, see section on proportional-pressure setup.

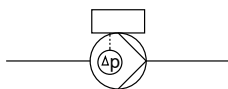


TM057909

Proportional pressure

Example

- Factory-fitted differential-pressure sensor.



TM057880

Proportional pressure

Controller settings

For recommended controller settings, see section Controller (Controller settings).

Related information

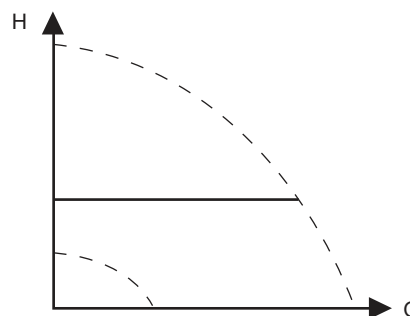
[Controller \(Controller settings\)](#)

[Proportional-pressure setup](#)

Constant pressure

Pump variant	Constant pressure
TPE3, TPE3 D	•
TPE2, TPE2 D	•
TPE Series 1000	•

We recommend this control mode if the pump is to deliver a constant pressure, independently of the flow in the system. The pump maintains a constant pressure independently of the flow rate.



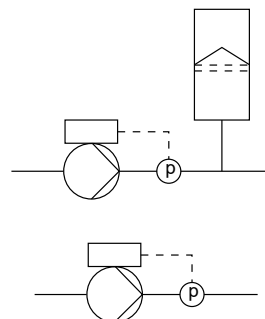
TM057901

Constant pressure

This control mode requires an external pressure sensor as shown in the examples below. You can set the pressure sensor in the **Assist** menu. See the section on assisted pump setup. The setting range is between 12.5 % and 100 % of maximum head.

Example:

- One external pressure sensor



TM057881

TM057882

Controller settings

For recommended controller settings, see section Controller (Controller settings).

Related information

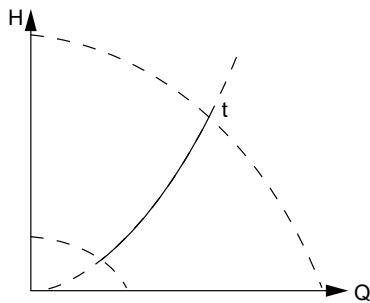
[Controller \(Controller settings\)](#)

[Assisted pump setup](#)

Constant temperature

Pump variant	Constant temperature
TPE3, TPE3 D	•
TPE2, TPE2 D	•
TPE Series 1000	•

This control mode ensures a constant temperature. Constant temperature is a comfort control mode that you can use in hot water recirculation systems to control the flow rate to maintain a fixed temperature in the system.

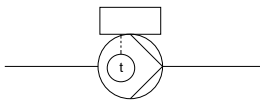


TM057900

Constant temperature

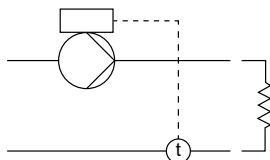
This control mode requires either an internal or external temperature sensor as shown in the examples below.
Example:

- Factory-fitted temperature sensor. Only TPE3, TPE3 D

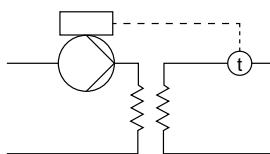


TM057883

- One external temperature sensor



TM057884



TM057885

Controller settings

For recommended controller settings, see section Controller (Controller settings).

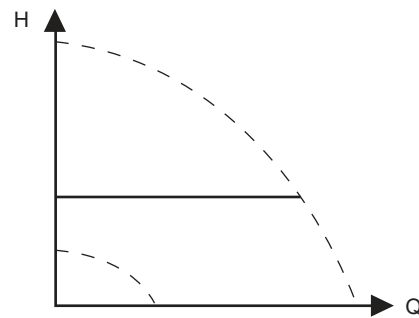
Related information

[Controller \(Controller settings\)](#)

Constant differential pressure

Pump variant	Constant differential pressure
TPE3, TPE3 D	•
TPE2, TPE2 D	•
TPE Series 1000	•

The pump maintains a constant differential pressure, independently of the flow rate in the system. See the figure below. This control mode is primarily suitable for systems with relatively small pressure losses.



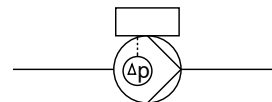
TM057901

Constant differential pressure

The setting range is between 12.5 % and 100 % of maximum head. This control mode requires either an internal or external differential-pressure sensor or two external pressure sensors as shown in the examples below.

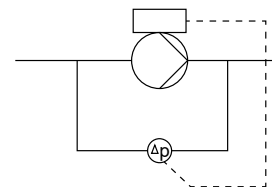
Examples:

- Factory-fitted differential-pressure sensor. Only TPE3, TPE3 D and TPE 2000.

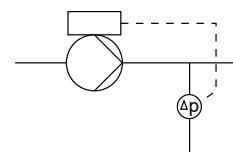


TM057880

- One external differential-pressure sensor. The pump uses the input from the sensor to control the differential pressure. You can set the sensor manually or by using the **Assist** menu. See the section on assisted pump setup.



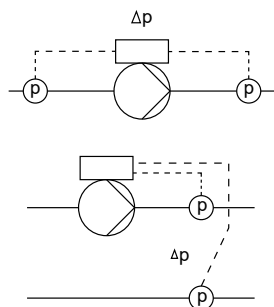
TM057886



TM057887

- Two external pressure sensors. Constant differential-pressure control is achievable with two individual pressure sensors. The pump uses the inputs from the two sensors and calculates the differential pressure.

The sensors must have the same unit and must be set as feedback sensors. You can set the sensors manually, sensor by sensor, or by using the **Assist** menu. See the section on assisted pump setup.



TM057888

TM057889

Controller settings

For recommended controller settings, see section Controller (Controller settings).

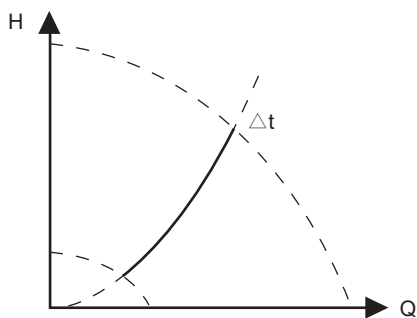
Related information

- [Controller \(Controller settings\)](#)
- [Assisted pump setup](#)

Constant differential temperature

Pump variant	Constant differential temperature
TPE3, TPE3 D	•
TPE2, TPE2 D	•
TPE Series 1000	•

The pump maintains a constant differential temperature in the system and the pump performance is controlled according to this.



TM057954

Constant differential temperature

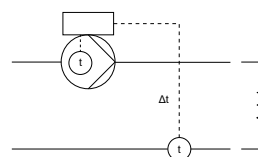
This control mode requires either two temperature sensors or one external differential-temperature sensor. See the examples below.

The temperature sensors can either be analog sensors connected to two of the analog inputs or two Pt100/ Pt1000 sensors connected to the Pt100/1000 inputs, if these are available on the specific pump.

Set the sensor in the **Assist** menu under **Assisted pump setup**. See the section on assisted pump setup.

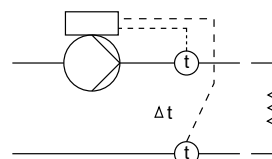
Examples:

- Factory-fitted temperature sensor and an external temperature sensor. Only TPE3, TPE3 D.



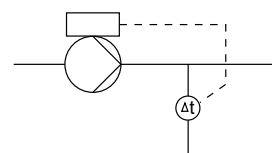
TM057891

- Two external temperature sensors. Constant differential-temperature control is achievable with two temperature sensors. The pump uses the inputs from the two sensors and calculates the differential temperature. The sensors must have the same unit and must be set as feedback sensors. You can set the sensors manually, sensor by sensor, or by using the **Assist** menu. See the section on assisted pump setup.



TM057894

- One external differential-temperature sensor. The pump uses the input from the sensor to control the differential temperature. You can set the sensor manually or by using the **Assist** menu. See the section on assisted pump setup.



TM057931

Controller settings

For recommended controller settings, see section Controller (Controller settings).

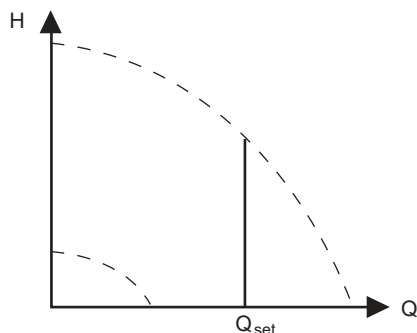
Related information

- [Controller \(Controller settings\)](#)
- [Assisted pump setup](#)

Constant flow rate

Pump variant	Constant flow rate
TPE3, TPE3 D	•
TPE2, TPE2 D	•
TPE Series 1000	•

The pump maintains a constant flow rate in the system, independently of the head.



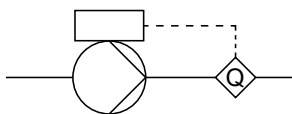
TM057955

Constant flow rate

This control mode requires an external flow sensor. See the example below.

Example:

- One external flow sensor.



TM057895

Constant flow rate

TPE3 is able to perform constant flow control based on internal flow estimation without using a flow sensor. The Grundfos sensor must in this case be set to Other instead of Feedback and the control mode must be Constant flow.

The built-in flow estimation needed for the calculation has an inaccuracy of ±10 % of the maximum flow rate in the area down to 10 % flow and down to 12.5 % of the maximum head.

Controller settings

For recommended controller settings, see section Controller (Controller settings).

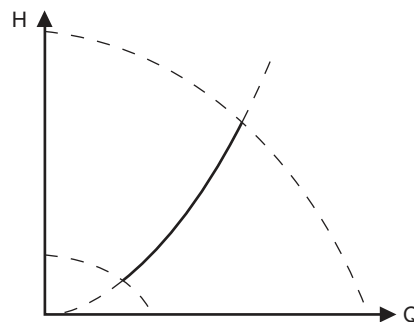
Related information

[Controller \(Controller settings\)](#)

Constant level

Pump variant	Constant level
TPE3, TPE3 D	•
TPE2, TPE2 D	•
TPE Series 1000	•

The pump maintains a constant level, independently of the flow rate.



TM057941

Constant level

This control mode requires an external level sensor. The pump can control the level in a tank in two ways:

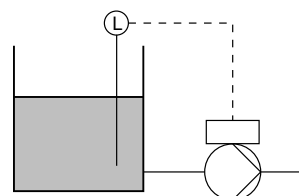
- As an emptying function where the pump draws the liquid from the tank.
- As a filling function where the pump pumps the liquid into the tank.

See the figure below.

The type of level control function depends on the setting of the built-in controller.

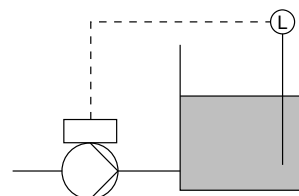
Example:

- One external level sensor with emptying function.



TM057896

- One external level sensor with filling function.



TM057965

Controller settings

For recommended controller settings, see section Controller (Controller settings).

Related information

[Controller \(Controller settings\)](#)

Constant other value

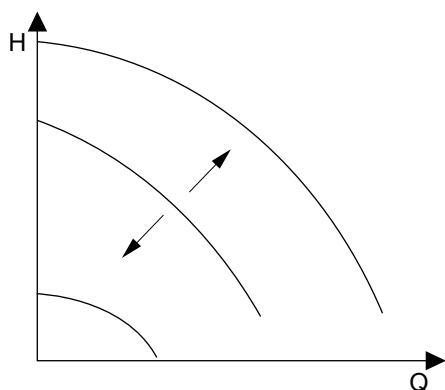
Pump variant	Constant other value
TPE3, TPE3 D	•
TPE2, TPE2 D	•
TPE Series 1000	•

Use this control mode to control a value which is not available in the **Control mode** menu. To measure the controlled value, connect a sensor to one of the analog inputs. The controlled value is shown in percentage of the sensor range.

Constant curve

Pump variant	Constant curve
TPE3, TPE3 D	•
TPE2, TPE2 D	•
TPE Series 1000	•

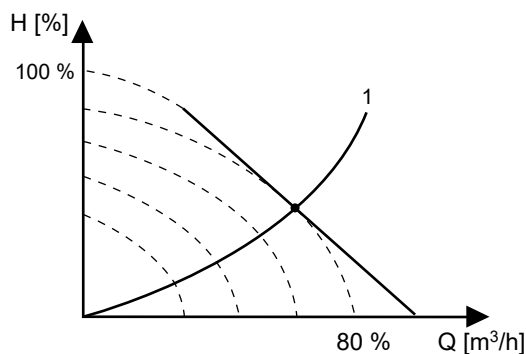
Use this control mode to control the motor speed. You can set the pump to operate according to a constant curve, like an uncontrolled pump. See the figure below.



TM057957

Constant curve

Depending on the system characteristic and the duty point, the 100 % setting may be slightly smaller than the actual maximum curve of the pump even though the display shows 100 %. This is due to the power limitations built into the pump. The deviation varies according to pump type and pressure loss in the pipes.



TM057913

Power limitation influencing the maximum curve

Pos.	Description
1	Limited maximum curve

Controller settings

For recommended controller settings, see section Controller (Controller settings).

Related information

[Controller \(Controller settings\)](#)

Proportional-pressure setup

Pump variant	Proportional-pressure setup
TPE3, TPE3 D	•
TPE2, TPE2 D	-
TPE Series 1000	-

Control-curve function

You can set the curve either to quadratic or linear.

Zero-flow head

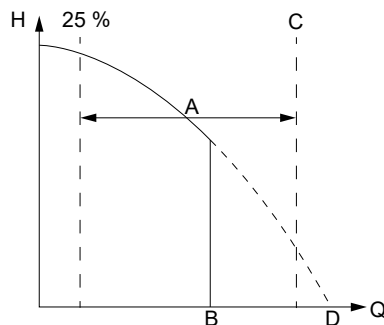
You can set this value in % of the setpoint. With a setting of 100 %, the control mode is equal to constant differential pressure.

FLOWLIMIT

Pump variant	FLOWLIMIT
TPE3, TPE3 D	•
TPE2, TPE2 D	-
TPE Series 1000	-

FLOWLIMIT

- Enable the FLOWLIMIT function.
- Set the FLOWLIMIT.



TM11040391

FLOWLIMIT

Pos.	Description
A	Setting range
B	Q_{limit}
C	$90\%Q_{max}$
D	Q_{max}

You can combine the FLOWLIMIT function with the following control modes:

- Proportional pressure
- Constant differential pressure
- Constant differential temperature
- Constant temperature
- Constant curve.

A flow-limiting function ensures that the flow rate never exceeds the entered FLOWLIMIT value.

The setting range for FLOWLIMIT is 25 % to 90 % of the Q_{max} of the pump.

The factory setting of the FLOWLIMIT is the flow rate where the AUTOADAPT factory setting meets the maximum curve.

Related information

[FLOWADAPT](#)

Automatic night setback

Pump variant	Automatic night setback
TPE3, TPE3 D	•
TPE2, TPE2 D	-
TPE Series 1000	-

Once you have enabled automatic night setback, the pump automatically changes between normal duty and night setback, duty at low performance.

Changeover between normal duty and night setback depends on the flow-pipe temperature.

The pump automatically changes over to night setback when the built-in sensor registers a flow-pipe temperature drop of more than 10 to 15 °C within approximately two hours. The temperature drop must be at least 0.1 °C/min. Changeover to normal duty takes place without a time lag when the temperature has increased by approximately 10 °C.

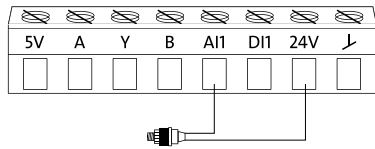
Note: You cannot enable automatic night setback when the pump is in constant-curve mode.

Analog inputs

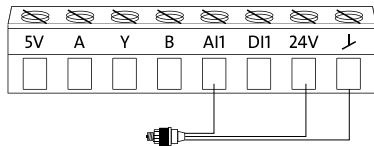
Pump variant	Analog inputs
TPE3, TPE3 D	•
TPE2, TPE2 D	•
TPE Series 1000	•

Wiring examples:

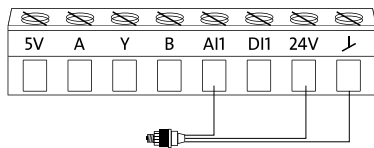
These connection scenarios are also valid for connection to analog input 2 and analog input 3.



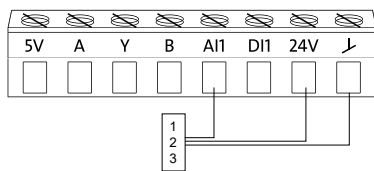
2-wire sensor, 0/4-20 mA



3-wire sensor, 0/4-20 mA



3-wire sensor, 0.5 - 3.5 V, 0-5 V, 0-10 V



Setpoint influence, 0.5 - 3.5 V, 0-5 V, 0-10 V; 0/4-20 mA

Pos.	Description
1	Potentiometer
2	PLC
3	External controller

To set the input, make the settings below:

Function

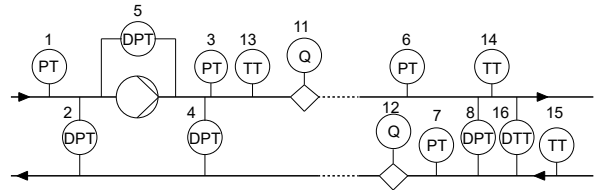
You can set the inputs to these functions:

- **Not active**
- **Feedback sensor**
The sensor is used for the selected control mode.
- **Setpoint influence**
The input signal is used for influencing the setpoint.
- **Other function**

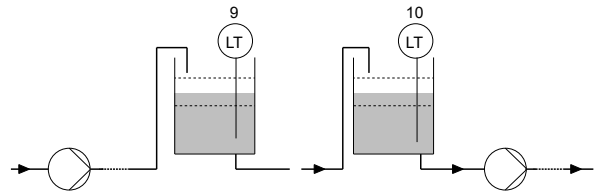
The sensor input is used for measurement or monitoring.

Measured parameter

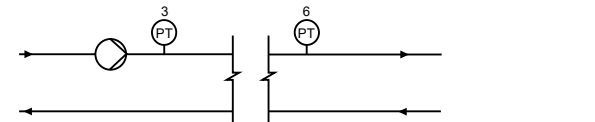
Select one of the below parameters to be measured in the system by the sensor connected to the input.



TM083181



TM062328



TM083182

TM075207

Pos.	Sensor function/measured parameter
1	Inlet pressure
2	Diff. press., inlet
3	Discharge press.
4	Diff. press.,outlet
5	Diff. press.,pump
6	Press. 1, external
7	Press. 2, external
8	Diff. press., ext.
9	Storage tank level
10	Feed tank level
11	Pump flow
12	Flow, external
13	Liquid temp.
14	Temperature 1
15	Temperature 2
16	Differential temp.
Not shown	Ambient temp.
Not shown	Other parameter

Unit

Parameter	Available units
Pressure	bar, m, kPa, psi, ft
Level	m, ft, in
Pump flow	m ³ /h, l/s, yd ³ /h, gpm
Liquid temperature	°C, °F
Other parameter	%

Electrical signal

Available signal types:

- 0.5 - 3.5 V

- 0-5 V
- 0-10 V
- 0-20 mA
- 4-20 mA.

Sensor range, minimum value

Set the minimum value of the connected sensor.

Sensor range, maximum value

Set the maximum value of the connected sensor.

Factory setting

See section Factory settings of E-pumps.

Related information

[12. Factory settings of E-pumps](#)

Setting two sensors for differential measurement

In order to measure the difference of a parameter between two points, set the corresponding sensors as follows:

Parameter	Analog input for sensor 1	Analog input for sensor 2
Pressure, option 1	Differential pressure, inlet	Differential pressure, outlet
Pressure, option 2	Pressure 1, external	Pressure 2, external
Flow	Pump flow	Flow, external
Temperature	Temperature 1	Temperature 2

If you want to use the control mode **Constant differential pressure**, you must choose the function **Feedback sensor** for the analog input of both sensors.

Built-in Grundfos sensor

Pump variant	Built-in Grundfos sensor
TPE3, TPE3 D	•
TPE2, TPE 2 D	-
TPE Series 1000	-

You can select the function of the built-in sensor in the **Built-in Grundfos sensor** menu.

Set the **Built-in Grundfos sensor** via the **Assisted pump setup** menu. See the section on assisted pump setup.

If you perform the setting manually in the advanced operating panel, you must enter the **Analog inputs** menu under the **Settings** menu to access the **Built-in Grundfos sensor** menu.

If you perform the setting manually via Grundfos GO, you need to enter the menu for the **Built-in Grundfos sensor** under the **Settings** menu.

Function

You can set the built-in sensor to the following functions:

- **Grundfos diff.-pressure sensor**
 - Not active
 - Feedback sensor
 - Setpoint influence
 - Other function.

Factory setting

See section Factory settings of E-pumps.

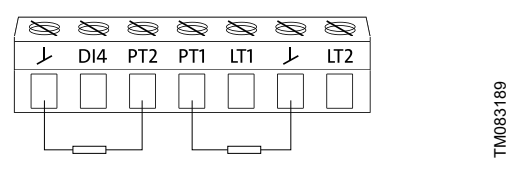
Related information

[12. Factory settings of E-pumps](#)

Pt100/1000 inputs

Pump variant	Pt100/1000 inputs
TPE3, TPE3 D	•
TPE2, TPE2 D	•
TPE Series 1000	•

Wiring example:



Pt100/1000

To set the input, choose one of the below settings.

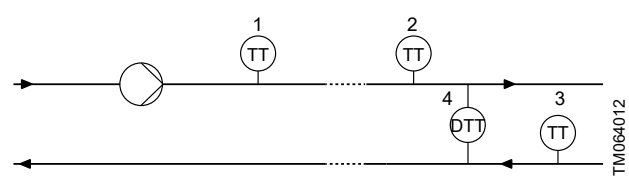
Function

You can set the inputs to these functions:

- **Not active**
- **Feedback sensor**
The sensor is used for the selected control mode.
- **Setpoint influence**
The input signal is used for influencing the setpoint.
- **Other function**
The sensor input is used for measurement or monitoring.

Measured parameter

Select one of the below parameters to be measured in the system by the sensor connected to the input.



Pos.	Sensor function/measured parameter
1	Liquid temp.
2	Temperature 1
3	Temperature 2
4	Differential temp.
Not shown	Ambient temp.

Measuring range

-50 to +204 °C.

Factory setting

See section Factory settings of E-pumps.

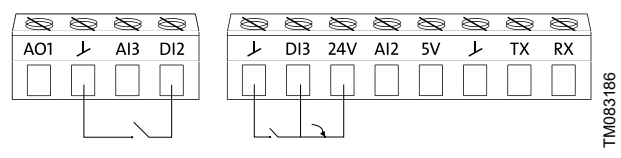
Related information

[12. Factory settings of E-pumps](#)

Digital inputs

Pump variant	Digital inputs
TPE3, TPE3 D	•
TPE2, TPE 2 D	•
TPE Series 1000	•

Wiring example:



Digital input

To set the input, make the settings below:

Function

You can set the inputs to these functions:

- **Not active**
When set to **Not active**, the input has no function.
- **Ext. stop**
When the input is deactivated, open circuit, the motor stops.
- **Min.** (minimum speed)
When the input is activated, the motor runs at the set minimum speed.
- **Max.** (maximum speed)
When the input is activated, the motor runs at the set maximum speed.
- **User defined speed**
When the input is activated, the motor runs at a speed set by the user.
- **External fault**
When the input is activated, a timer is started. If the input is activated for more than 5 seconds, the motor stops and a fault is indicated. The function depends on input from external equipment.
- **Alarm resetting**
When the input is activated, a fault indication, if any, is reset.
- **Dry running**
When this function is selected, a lack of inlet pressure or water shortage (dry running) can be detected. When this happens, the pump stops. The pump cannot restart as long as the input is activated. This requires the use of an accessory such as these:
 - a pressure switch installed on the inlet side of the pump
 - a float switch installed on the inlet side of the pump.
- **Accumulated flow**
When this function is selected, the accumulated flow can be registered. This requires the use of a flowmeter which can give a feedback signal as a pulse per defined volume of water.
- **Reverse rotation**

This function reverses the direction of rotation of the motor.

• **Predefined setpoint 1**

The function applies only to digital input 2. When you set digital inputs to a predefined setpoint, the pump operates according to a setpoint based on a combination of the activated digital inputs.

• **Activate output**

When this function is selected, the related digital output is activated. This is done without any changes to pump operation.

• **Local motor stop**

When the function is selected, the given motor in a multimotor system setup stops without affecting the performance of the other motors in the system.

The priority of the selected functions are interdependent. A stop command always has the highest priority.

Activation of digital inputs

You can set the digital inputs to trigger on either Closed contact or Open contact. Selecting the trigger function can only be set via Grundfos GO Link.

The digital inputs can be activated either as active low or active high.

The digital inputs will react as described in the table below:

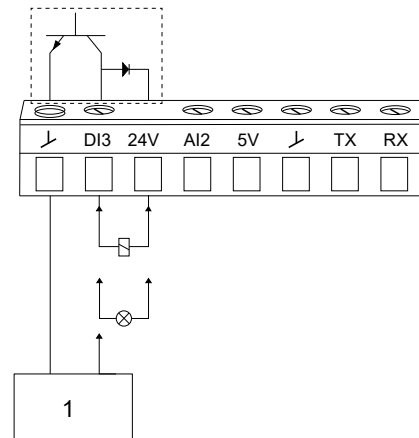
Activate/ Closed contact	Deactivate/Open contact
GND/0V	Floating/3-24V

Digital inputs/outputs

Pump variant	Digital inputs/outputs
TPE3, TPE3 D	•
TPE2, TPE2 D	•
TPE Series 1000	•

You can select whether the interface is to be used as an input or output. The output is an open collector. You can connect the open collector to, for example, an external relay or a controller such as a PLC.

Wiring example:



TM083187

Digital output, open collector

Pos.	Description
1	External controller

Mode

You can set the digital input or output 3 and 4 to act as a digital input or digital output.

Functions if the digital input or output is set to input:

- Not active
- Ext. stop
- Min.
- Max.
- User defined speed
- External fault
- Alarm resetting
- Dry running
- Accumulated flow
- Reverse rotation
- Predefined setpoint 2 (digital input/output 3)
- Predefined setpoint 3 (digital input/output 4)
- Local motor stop
- Activate output

Functions if the digital input or output is set to output:

- Not active
- Ready
- Alarm

- Operation
- Pump running
- Warning
- Limit 1 exceeded
- Limit 2 exceeded
- Digital input 1, state
- Digital input 2, state
- Digital input 3, state
- Digital input 4, state

Activation delay

Pump variant	Activation delay
TPE3, TPE3 D	•
TPE2, TPE2 D	•
TPE Series 1000	•

The activation delay (T1) is the time between the digital signal and the activation of the selected function.

Range: 0 to 6000 seconds.

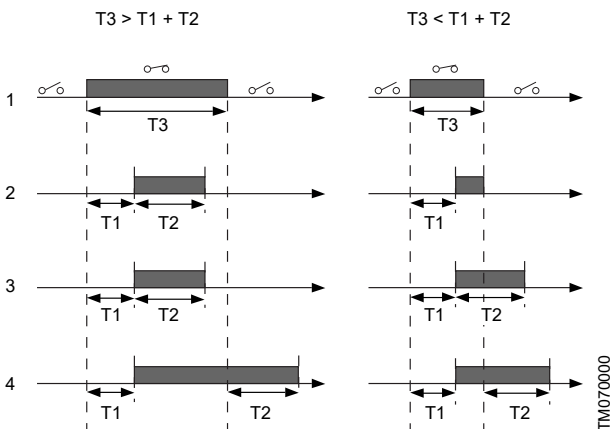
Duration time

Available modes:

- Not active
- Active with interrupt
- Active without interrupt
- Active with after-run.

The duration time (T2) is the time which, together with the mode, determines how long the selected function is active.

Range: 0 - 15,000 seconds.



Pos.	Description
1	Digital input.
2	Active with interrupt.
3	Active without interrupt.
4	Active with after-run.
T1	Activation delay.
T2	Duration time.
T3	The period of time when the digital input is activated.

Factory setting

See section Factory settings of E-pumps.

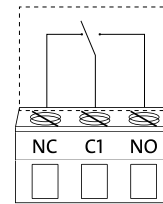
Related information

12. Factory settings of E-pumps

Signal relay (Relay outputs)

Pump variant	Relay outputs	
	Signal relay 1	Signal relay 2
TPE3, TPE3 D	•	•
TPE2, TPE2 D	•	•
TPE Series 1000	•	•

Wiring example:



TM083188

Relay output

Functions

You can configure the signal relays to be activated when the product changes to one of the following states:

- **Not active**
The relay has been deactivated.
- **Ready**
The motor may be running or is ready to run, and no alarms are active.
- **Alarm**
There is an active alarm, and the motor is stopped.
- **Operating (Operation)**
Operating equals **Running**, but the motor is still in operation when it is stopped, for example, by the **Stop** function or **Limit exceeded**.
- **Running (Pump running)**
The motor shaft is rotating.
- **Warning**
There is an active warning.
- **Limit 1 exceeded**
When you have set this function and the limit is exceeded, the signal relay is activated.
- **Limit 2 exceeded**
When you have set this function and the limit is exceeded, the signal relay is activated.
- **External fan control (Control of external fan)**
When you select this function, the relay is activated if the internal temperature of the motor electronics reaches a preset limit value. In this way the relay activates external cooling to add additional cooling to the motor.
- **Digital input 1, state**
Follow digital input 1. If digital input 1 is triggered, the digital output is also triggered.
- **Digital input 2, state**

TM070000

Follow digital input 2. If digital input 2 is triggered, the digital output is also triggered.

• **Digital input 3, state**

Follow digital input 3. If digital input 3 is triggered, the digital output is also triggered.

• **Digital input 4, state**

Follow digital input 4. If digital input 4 is triggered, the digital output is also triggered.

Factory setting

See section Factory settings of E-pumps.

Related information

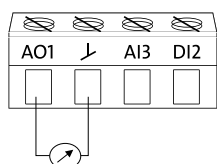
[12. Factory settings of E-pumps](#)

Analog output

Pump variant	Analog output
TPE3, TPE3 D	•
TPE2, TPE2 D	•
TPE Series 1000	•

The inputs and outputs available depend on the functional module fitted in the motor.

Wiring example:



TM083185

Analog output, 0/4-20 mA, 0-10 V

The analog output enables external control systems to read specific operating data.

To set the analog output, make the following settings.

Output signal

Possible signal types:

- 0-10 V
- 0-20 mA
- 4-20 mA.

Function of analog output

Actual speed		
0 %	100 %	200 %
0 V	10 V 5 V	10 V
0 mA	20 mA 10 mA	20 mA
4 mA	20 mA 12 mA	20 mA

Sensor value	
Minimum	Maximum
0 V	10 V
0 mA	20 mA
4 mA	20 mA

Resulting setpoint	
0 %	100 %
0 V	10 V
0 mA	20 mA
4 mA	20 mA

Motor load	
0 %	100 %
0 V	10 V
0 mA	20 mA
4 mA	20 mA

Motor current		
0 %	100 %	200 %
0 V	5 V	10 V
0 mA	10 mA	20 mA
4 mA	12 mA	20 mA

Limit-exceeded function	
Output not active	Output active
0 V	10 V
0 mA	20 mA
4 mA	20 mA

Factory setting

See section Factory settings of E-pumps.

Related information

[12. Factory settings of E-pumps](#)

Controller (Controller settings)

Pump variant	Controller settings
TPE3, TPE3 D	•
TPE2, TPE2 D	•
TPE Series 1000	•

The pumps have a factory default setting of gain (K_p) and integral time (T_i).

However, if the factory setting is not the optimum setting, you can change the gain and the integral time:

- Set the gain within the range from 0.1 to 20.
- Set the integral-action time within the range from 0.1 to 3600 seconds. If you select 3600 seconds, the controller functions as a P controller.

Furthermore, you can set the controller to inverse control. This means that if you increase the setpoint, the speed is reduced. In the case of inverse control, you must set the gain within the range from -0.1 to -20.

Guidelines for setting of PI controller

The tables below show the recommended controller settings:

Constant differential pressure	K_p	T_i
	0.5	0.5
	0.5	0.5
	0.5	L1 < 5 m: 0.5 L1 > 5 m: 3 L1 > 10 m: 5
	0.5	L1 < 5 m: 0.5 L1 > 5 m: 3 L1 > 10 m: 5

L1: Distance in metres between the pump and the sensor.

Constant temperature	K_p		T_i
	Heating system ²³⁾	Cooling system ²⁴⁾	
	0.5	-0.5	10 + 5L2
	0.5	-0.5	30 + 5L2

²³⁾ In heating systems, an increase in pump performance results in a rise in temperature at the sensor.

²⁴⁾ In cooling systems, an increase in pump performance results in a drop in temperature at the sensor.

L2: Distance in metres between the heat exchanger and the sensor.

Constant differential temperature	K_p	T_i
	-0.5	10 + 5L2
	-0.5	10 + 5L2

L2: Distance in metres between the heat exchanger and the sensor.

Constant flow rate	K_p	T_i
	0.5	0.5

Constant pressure	K_p	T_i
	0.5	0.5
	0.5	0.5

Constant level	K_p	T_i
	-10	0
	10	0

General rules of thumb:

If the controller is too slow-reacting, increase the gain.

If the controller is hunting or unstable, dampen the system by reducing the gain or increasing the integral time.

Factory setting

See section Factory settings of E-pumps.

Related information

[12. Factory settings of E-pumps](#)

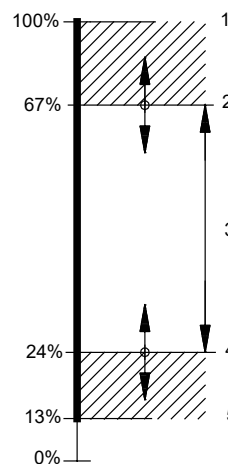
Operating range

Pump variant	Operating range
TPE3, TPE3 D	•
TPE2, TPE2 D	•
TPE Series 1000	•

Set the operating range as follows:

1. Set the minimum speed within the range from fixed minimum speed (5) to user-set maximum speed (2).
2. Set the maximum speed within the range from user-set minimum speed (4) to fixed maximum speed (1).

The range between the user-set minimum and maximum speed is the operating range (3).



TM006785

Example of minimum and maximum settings

Pos.	Description
1	Fixed maximum speed
2	User-set maximum speed
3	Operating range
4	User-set minimum speed
5	Fixed minimum speed

Factory setting

See section Factory settings for E-pumps.

Related information

12. Factory settings of E-pumps

External setpoint function

Pump variant	External setpoint function
TPE3, TPE3 D	•
TPE2, TPE2 D	•
TPE Series 1000	•

Use this function to influence the setpoint by an external signal via one of the analog inputs.

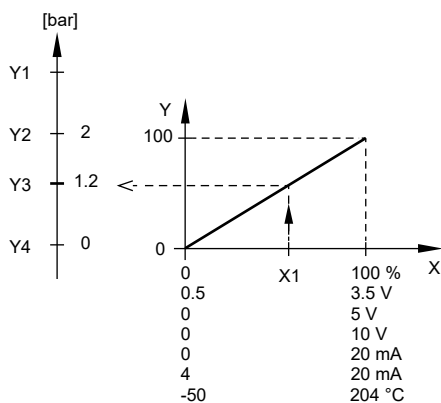


To enable the function, set one of the analog inputs or Pt100/1000 inputs to **Setpoint influence** with Grundfos GO or to **Ext. setpoint infl.** with the HMI 300 or 301 operating panel.

Example of setpoint influence in control mode Const. pressure

Actual setpoint: actual input signal × setpoint.

At a setpoint of 2 bar and an external setpoint of 60 %, the actual setpoint is $0.60 \times 2 = 1.2$ bar.



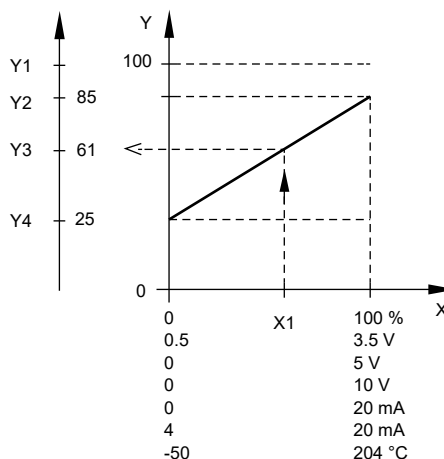
TM070252

Pos.	Description
X:	External input signal from 0 to 100 %
Y:	Setpoint influence from 0 to 100 %
X1:	Actual input signal, 60 %
Y1:	Sensor maximum [bar]
Y2:	Setpoint [bar]
Y3:	Actual setpoint [bar]
Y4:	Sensor minimum [bar]

Example of a constant curve with linear influence function

Actual setpoint: actual input signal × (setpoint - user-set minimum speed) + user-set minimum speed.

At a user-set minimum speed of 25 %, a setpoint of 85 % and an external setpoint of 60 %, the actual setpoint is $0.60 \times (85 - 25) + 25 = 61$ %.



TM070253

Pos.	Description
X:	External input signal from 0 to 100 %
Y:	Setpoint influence from 0 to 100 %
X1:	Actual input signal, 60 %
Y1:	Fixed maximum speed in percentage
Y2:	Setpoint speed in percentage
Y3:	Actual setpoint speed in percentage
Y4:	User-set minimum speed in percentage

Factory setting

See section Factory settings for E-pumps.

Related information

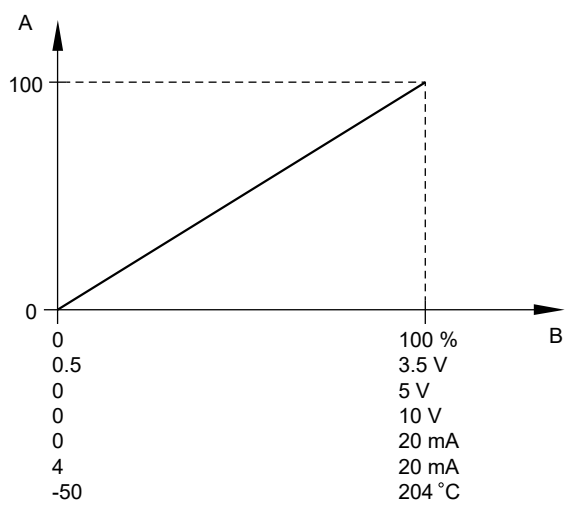
12. Factory settings of E-pumps

Setpoint influence

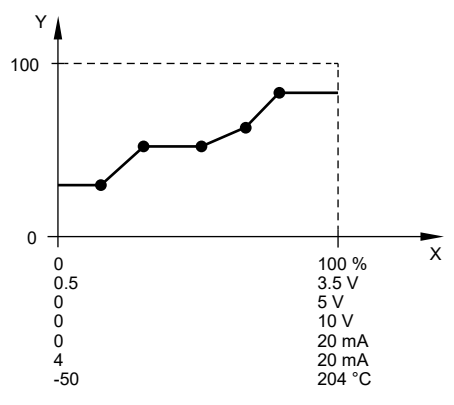
Pump variant	Setpoint influence
TPE3, TPE3 D	•
TPE2, TPE2 D	•
TPE Series 1000	•

You can select these functions:

- **Not active**
When set to **Not active**, the setpoint is not influenced from any external function.
- **Linear function**
The setpoint is influenced linearly from 0 to 100 %. See the figure below.



TM064166



TM070254

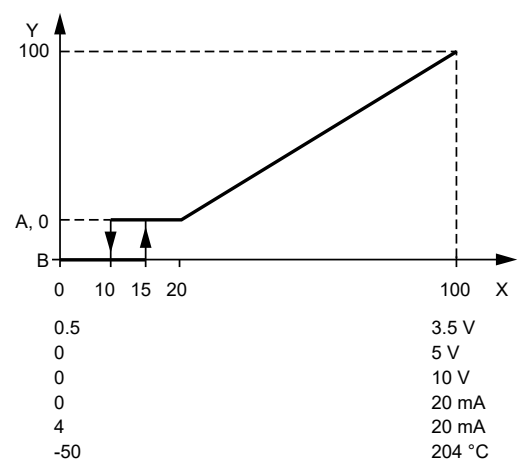
Pos.	Description
X:	External input signal from 0 to 100 %
Y:	Setpoint influence from 0 to 100 %

Linear function

Pos.	Description
A	Setpoint influence from 0 to 100 %
B	External input signal from 0 to 100 %

Linear with Stop

In the input signal range from 20 to 100 %, the setpoint is influenced linearly.
 If the input signal is below 10 %, the pump changes to operating mode **Stop**.
 If the input signal is increased above 15 %, the operating mode is changed back to **Normal**. See the figure below.



TM070542

Linear with Stop

Pos.	Description
X:	External input signal from 0 to 100 %
Y:	Setpoint influence from 0 to 100 %
A:	Normal
B:	Stop

Influence table

The setpoint is influenced by a curve made out of two to eight points. There will be a straight line between the points and a horizontal line before the first point and after the last point.

Predefined setpoints

Pump variant	Predefined setpoints
TPE3, TPE3 D	•
TPE2, TPE2 D	•
TPE Series 1000	•

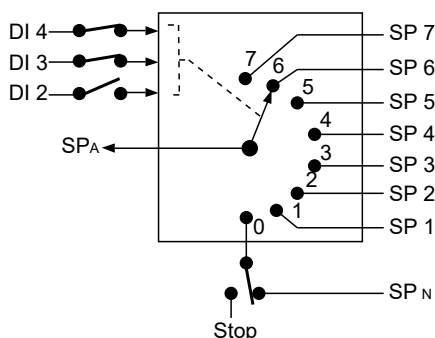
You can set and activate seven predefined setpoints by combining the input signals with digital inputs 2, 3 and 4 as shown in the table below. Set the digital inputs 2, 3 and 4 to **Predefined setpoints** if all seven predefined setpoints are to be used. You can also set one or two of the digital inputs to **Predefined setpoints**. However, this limits the number of predefined setpoints available.

Digital inputs			Setpoint
2	3	4	
0	0	0	Normal setpoint or Stop
1	0	0	Predefined setpoint 1
0	1	0	Predefined setpoint 2
1	1	0	Predefined setpoint 3
0	0	1	Predefined setpoint 4
1	0	1	Predefined setpoint 5
0	1	1	Predefined setpoint 6
1	1	1	Predefined setpoint 7

0: Open contact
1: Closed contact

Example

The figure shows how you can use the digital inputs to set seven predefined setpoints. Digital input 2 is open, and digital inputs 3 and 4 are closed. If you compare with the table above, you can see that **Predefined setpoint 6** is activated.



TM070083

Pos.	Description
DI	Digital input
SP	Setpoint
SP _A	Actual setpoint
SP _N	Normal setpoint
Stop	Stop

If all digital inputs are open, the motor stops or runs at the normal setpoint. Set the desired action with Grundfos GO or with the HMI 300 or 301 operating panel.

Factory setting

See section Factory settings of E-pumps.

Related information

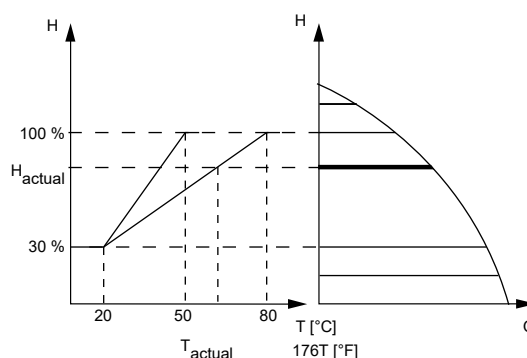
12. Factory settings of E-pumps

Temperature influence

Pump variant	Temperature influence
TPE3, TPE3 D	•
TPE2, TPE2 D	-
TPE Series 1000	-

When this function is enabled in proportional- or constant-pressure control mode, the setpoint for head is reduced according to the liquid temperature.

You can set the temperature influence to function at liquid temperatures below 80 °C or 50 °C. These temperature limits are called T_{max}. The setpoint is reduced in relation to the head set which is equal to 100 % according to the characteristics below.



TM057911

Temperature influence

In the above example, T_{max}, which is equal to 80 °C, has been selected. The actual liquid temperature, T_{actual}, causes the setpoint for head to be reduced from 100 % to H_{actual}.

The temperature influence function requires the following:

- proportional-pressure or constant-pressure control mode
- pump installed in flow pipe
- system with flow-pipe temperature control.

Temperature influence is suitable for the following systems:

- Systems with variable flows, for example two-pipe heating systems, in which the enabling of the temperature influence function ensures a further reduction of the pump performance in periods with small heating demands and consequently a reduced flow-pipe temperature.
- Systems with almost constant flows, for example one-pipe heating systems and underfloor heating systems, in which variable heating demands cannot be registered as changes in the head as it is the case with two-pipe heating systems. In such systems, you can only adjust the pump performance by enabling the temperature influence function.

Selection of the maximum temperature

In systems with a dimensioned flow-pipe temperature of:

- up to and including 55 °C, select T_{max}, equal to 50 °C.
- above 55 °C, select T_{max}, equal to 80 °C.

Note: You cannot use the temperature function in air-conditioning and cooling systems.

Factory setting

See section Factory settings of E-pumps.

Related information

[12. Factory settings of E-pumps](#)

Limit-exceeded function

Pump variant	Limit-exceeded function
TPE3, TPE3 D	•
TPE2, TPE2 D	•
TPE Series 1000	•

Use this function to monitor a measured parameter or one of the internal values such as speed, motor load or motor current. If a set limit is reached, a selected action can take place. You can set two limit-exceeded functions, meaning that you can monitor two parameters or two limits of the same parameter simultaneously.

The function requires setting of the following parameters:

Measured

Set the measured parameter to be monitored.

Limit

Set the limit which activates the function.

Hysteresis band

Set the hysteresis band for when the function must be deactivated again.

Limit exceeded when

Set the function to be activated when the selected parameter exceeds or drops below the set limit.

- **above limit**
The function is activated if the measured parameter exceeds the set limit.
- **below limit**
The function is activated if the measured parameter drops below the set limit.

Action

If the value exceeds a limit, you can set an action. The following actions are available:

- **Not active**
The pump remains in its current state. Use this setting if you only want to activate a signal relay output when the limit is reached.
- **Stop**
The pump stops.
- **Min.**
The pump reduces the speed to minimum speed.
- **Max.**
The pump increases the speed to maximum speed.
- **User-defined speed**
The pump runs at a speed set by the user.
- **Alarm and Stop**
An alarm is given, and the pump stops.
- **Alarm and Min**

An alarm is given, and the pump decreases the speed to a minimum.

- **Alarm and Max**
An alarm is given, and the pump increases the speed to maximum.
- **Alarm and User-defined speed**
An alarm is given, and the pump runs at the speed set by the user.

Detection delay

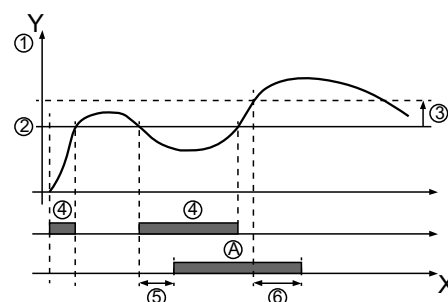
Setting the detection delay ensures that the monitored parameter stays above or below a set limit in a set time before the function is activated.

Resetting delay

The resetting delay is the time from when the measured parameter differs from the set limit, including the set hysteresis band, and until the function is reset.

Example

The function is to monitor the outlet pressure from the pump. If the pressure is below 5 bar for more than 5 seconds, a warning is indicated. If the pressure is above 7 bar for more than 8 seconds, reset the limit-exceeded warning.



TM070085

X: Time in seconds

Y: Pressure in bar

Pos.	Parameter	Setting
1	Measured	Discharge pressure
2	Limit	5 bar
3	Hysteresis band	2 bar
4	Limit exceeded when	below limit
5	Detection delay	5 seconds
6	Resetting delay	8 seconds
A	Limit-exceeded function active	-
-	Action	Warning

Factory setting

See section Factory settings of E-pumps.

Related information

[12. Factory settings of E-pumps](#)

Communication

Use this function to set the communication of the product, both wired and wireless communication. The product contains built-in fieldbus protocols on the AYB terminals (RS-485).

Pump number

Pump variant	Pump number
TPE3, TPE3 D	•
TPE2, TPE2 D	•
TPE Series 1000	•

Use this function to allocate a unique number to the pump. This makes it possible to distinguish between pumps in connection with GENIbus communication.

Factory setting

See section Factory settings of E-pumps.

Enable/disable radio comm.

Pump variant	Enable/disable radio comm.
TPE3, TPE3 D	•
TPE2, TPE2 D	•
TPE Series 1000	•

Use this function to set the radio communication to **Enabled** or **Disabled**. Select **Disabled** in areas where radio communication is not allowed.



Bluetooth communication remains active.

Factory setting

See section Factory settings of E-pumps.

Enable/disable Bluetooth comm.

Only from 15-22 kW 2-pole and 11-18.5 kW 4-pole.

Use this function to set the Bluetooth communication to **Enabled** or **Disabled**. Select **Disabled** in areas where Bluetooth communication is not allowed.



Radio communication remains active.

Initiate Bluetooth connection

Only from 15-22 kW 2-pole and 11-18.5 kW 4-pole.

Use this function if Grundfos GO is installed on Huawei smartphones with BLE version 5.0 or older. This function is used to establish a Bluetooth connection to Grundfos GO. Open the Grundfos GO app on your device and select **Initiate Bluetooth connection**. Then select **Yes** and follow the instructions on the device.

Setup of AYB terminals

Only from 15-22 kW 2-pole and 11-18.5 kW 4-pole.

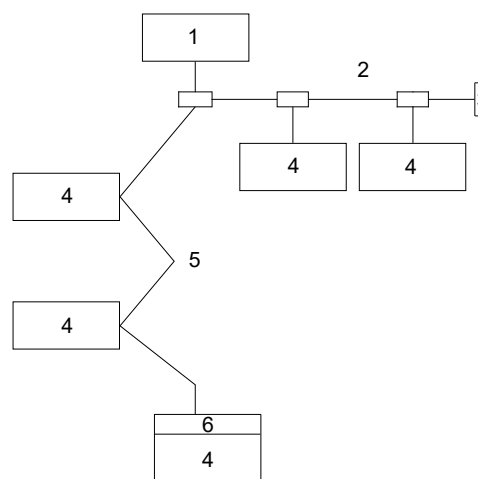
Protocol selection

Use this function to select which fieldbus protocol that must be active on the AYB terminals (RS-485).

Select between the following:

- Modbus RTU
- GENIbus.

Modbus RTU settings



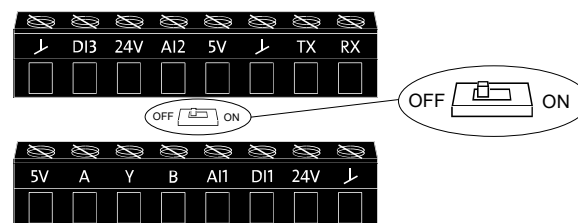
TM083380

Example of Modbus network with termination

Pos.	Description
1	Master
2	Passive tap
3	Line termination
4	Slave
5	Daisy chain
6	BLT (BLT = Built-in line termination (dip switch))



Remember to set the AYB BUS termination dip switch to ON in case the pump is the first or the last pump on a daisy chain of pumps. The termination resistor has a value of 150 ohm.



TM083381

Modbus RTU address

Use this function to allocate a unique number to the pump. This makes it possible to distinguish between pumps in connection with Modbus RTU communication. Select a number between 1 and 247.

Baud rate

Use this function to select the baud rate at which Modbus RTU is to communicate.

Select between the following baud rates:

- 9600 bps
- 19200 bps
- 38400 bps
- 115200 bps.

Parity

Use this function to set the parity of the Modbus RTU channel.

Select between these values:

- None
- Odd
- Even.

Stop bits

Use this function to set the number of stop bits on the Modbus RTU channel.

Select between these values:

- 1 bit
- 2 bits.

Modbus RTU settings

Modbus RTU address

Use this function to allocate a unique number to the pump. This makes it possible to distinguish between pumps in connection with Modbus RTU communication.

Select a number between 1 and 247.

Baud rate

Use this function to select the baud rate at which Modbus RTU is to communicate.

Select between the following baud rates:

- 9600 bps
- 19200 bps
- 38400 bps
- 115200 bps.

Parity

Use this function to set the parity of the Modbus RTU channel.

Select between these values:

- None
- Odd
- Even.

Stop bits

Use this function to set the number of stop bits on the Modbus RTU channel.

Select between these values:

- 1 bit
- 2 bits.

IP Setting

Only from 15-22 kW 2-pole and 11 - 18.5 kW 4-pole.

Use this function to set the Ethernet communication.

DHCP

Use this function to select if DHCP should be activated or deactivated.

If activated, the E-pump will receive network configuration from the DHCP server on the network.

If deactivated, IP address, Subnet mask, Gateway and Primary DNS must be configured manually.

IP address

Use this function to manually set the IP address. IP address format:

Example: 192.168.0.10

Subnet mask

Use this function to manually set the subnet mask. Subnet mask format:

Example: 255.255.255.0

Gateway

Use this function to manually set the gateway address. Gateway address format:

Example: 192.168.1.1

Primary DNS

Use this function to manually set the primary DNS address.

Example of primary DNS address format: 8.8.8.8

Secondary DNS

Use this function to manually set the secondary DNS address.

Example of secondary DNS address format: 4.4.4.4

Special functions

Pulse flowmeter setup

Pump variant	Pulse flowmeter setup
TPE3, TPE3 D	•
TPE2, TPE2 D	•
TPE Series 1000	•

You can connect an external pulse flowmeter to one of the digital inputs in order to register the actual and accumulated flows. Based on this, you can also calculate the specific energy.

To enable a pulse flowmeter, set one of the digital-input functions to **Accumulated flow** and set the pumped volume per pulse.

Ramps

Pump variant	Ramps
TPE3, TPE3 D	•
TPE2, TPE2 D	•
TPE Series 1000	•

The ramps determine how quickly the product can accelerate and decelerate during start and stop or setpoint changes.

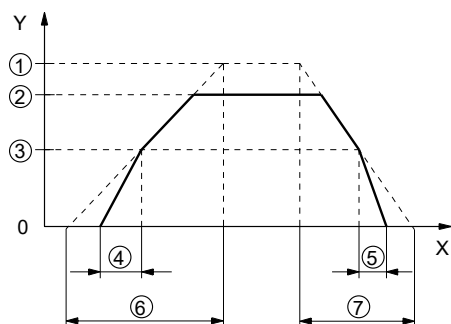
You can make the following settings:

- acceleration time, 0.1 to 300 s
- deceleration time, 0.1 to 300 s.

The times apply to the acceleration from 0 rpm to a fixed maximum speed and the deceleration from a fixed maximum speed to 0 rpm, respectively.

At short deceleration times, the deceleration of the product may depend on load and inertia as there is no possibility of actively braking the product.

If the power supply is switched off, the deceleration of the product only depends on the load and inertia.



TM069798

Ramp-up and ramp-down

Pos.	Description
X	Time
Y	Speed
1	Fixed maximum
2	User set maximum
3	User set minimum

Pos.	Description
4	Fixed initial ramp
5	Fixed final ramp
6	User set ramp-up
7	User set ramp-down

Factory setting

See section Factory settings of E-pumps.

Related information

[12. Factory settings of E-pumps](#)

Standstill heating

Pump variant	Standstill heating
TPE3, TPE3 D	•
TPE2, TPE2 D	•
TPE Series 1000	•

Use this function to avoid condensation in humid environments.

When you set the function to **Active** and the product is in operating mode **Stop**, a low AC voltage is applied to the motor windings. The voltage is not high enough to make the motor rotate, but ensures that sufficient heat is generated to avoid condensation in the product, including the electronic parts in the drive.



Remember to remove the drain plugs and fit a cover over the product.

Factory setting

See section Factory settings of E-pumps.

Related information

[12. Factory settings of E-pumps](#)

Alarm handling

Pump variant	Alarm handling
TPE3, TPE3 D	•
TPE2, TPE2 D	•
TPE Series 1000	•

This setting determines how the pump must react in case of a sensor failure.

Alarm or warning types:

The alarm handling determines how the pump must react in case of a sensor failure.

- **Warning**
A warning. There is no change in the operating mode.
- **Stop**
The pump stops.
- **Min.**
The pump reduces the speed to minimum.
- **Max.**
The pump increases the speed to maximum.
- **User defined speed**
The pump runs at the speed set by the user.

Affected inputs:

- **Analog input 1**

- Analog input 2
- Analog input 3
- Built-in Grundfos sensor
- Pt100/1000 input 1
- Pt100/1000 input 2
- Liqtec input.

Motor bearing monitoring

Pump variant	Motor bearing monitoring
TPE3, TPE3 D	•
TPE2, TPE2 D	•
TPE Series 1000	•

Use this function to select whether or not you want to monitor the motor bearings.

You can make the following settings:

- **Active**
- **Not active**

When the function is set to **Active**, a counter in the controller starts counting the running hours of the bearings. The running hours are calculated on the basis of the motor speed. When a predefined limit is reached, a warning indicates that the bearings must be replaced or relubricated.



If you change the function to **Not active**, the counter continues to count. However, no warning is given when it is time to replace the bearings. If you change the function to **Active** again, the accumulated running hours are used to recalculate the replacement time.

Factory setting

See section Factory settings of E-pumps.

Service

Pump variant	Service
TPE3, TPE3 D	•
TPE2, TPE2 D	•
TPE Series 1000	•

Time to next service (Motor bearing service)

This display shows when to replace the motor bearings. The controller monitors the operating pattern of the motor and calculates the period between bearing replacements.

Displayable values:

- **in 2 years**
- **in 1 year**
- **in 6 months**
- **in 3 months**
- **in 1 month**
- **in 1 week**
- **Now!**

Bearing replacements

The display shows the number of bearing replacements made during the lifetime of the motor.

Bearings replaced (Motor bearing maintenance)

When the bearing monitoring function is active, a warning is given when the motor bearings must be replaced.

1. When you have replaced the motor bearings, press **Bearings replaced**.

Bearings relubricated

When the bearing monitoring function is active, a warning is given when the motor bearings must be relubricated.



Bearings can be relubricated 5 times before they must be replaced.



The amount of grease can be found on the bearing nameplate on the motor.

1. When you have relubricated the bearings, press **Bearings relubricated**.

General settings

Language

Pump variant	Language
TPE3, TPE3 D	•
TPE2, TPE2 D	•
TPE Series 1000	•

The function is only available in the HMI 300 and 301 operating panels.

Use this function to select the desired language from the list.

Date and time(Set date and time)

Pump variant	Date and time
TPE3, TPE3 D	•
TPE2, TPE2 D	•
TPE Series 1000	•

The function is only available in the HMI 300 and 301 operating panels.

Use this function to set the date and time as well as how you want them to be viewed in the display.

- **Select date format**
 - YYYY-MM-DD
 - DD-MM-YYYY
 - MM-DD-YYYY
- **Select time format**
 - HH:MM 24-hour clock
 - HH:MM am/pm 12-hour clock
- **Set date**
- **Set time.**

Unit configuration (Units)

Pump variant	Unit configuration
TPE3, TPE3 D	•
TPE2, TPE2 D	•
TPE Series 1000	•

The function is only available in the HMI 300 and 301 operating panels.

Use this function to select SI or US units. You can make the setting for all parameters or customize for each individual parameter.

Factory setting

See section Factory settings of E-pumps.

Related information

[12. Factory settings of E-pumps](#)

Buttons on product (Enable/disable settings)

Pump variant	Buttons on product
TPE3, TPE3 D	•
TPE2, TPE2 D	•
TPE Series 1000	•

Use this function to disable the option to make settings for protective reasons.

- If you use Grundfos GO and set the buttons to **Not active**, the buttons on the HMI 200 or 201 operating panel are disabled, except the **Radio communication** button.
- If you disable the buttons on pumps fitted with the HMI 300 or 301 operating panel via **Enable/disable settings**, you can still use the buttons to navigate through the menus but you cannot make changes directly on these operating panels. A lock symbol appears in the display. However, you can unlock the motor temporarily and allow settings by pressing the **Up** and **Down** buttons simultaneously for at least 5 seconds.

Delete history

Pump variant	Delete history
TPE3, TPE3 D	•
TPE2, TPE2 D	•
TPE Series 1000	•

The function is only available in the HMI 300 and 301 operating panels.

Use this function to delete the following historical data:

- **Delete operating log**
- **Delete energy consumption.**

Define Home display

Pump variant	Define Home display
TPE3, TPE3 D	•
TPE2, TPE2 D	•
TPE Series 1000	•

The function is only available in the HMI 300 and 301 operating panels.

Set the **Home** display to show up to four user-defined parameters.

Display settings

Pump variant	Display settings
TPE3, TPE3 D	•
TPE2, TPE2 D	•
TPE Series 1000	•

The function is only available in the HMI 300 or 301 operating panels.

Use this function to adjust the display brightness. You can also set whether or not the display is to switch off if no buttons have been activated for a period of time.

Store settings (Store actual settings)

Pump variant	Store settings
TPE3, TPE3 D	•
TPE2, TPE2 D	•
TPE Series 1000	•

Use this function to store the current settings to enable the user to go back to a previous set of settings.

Recall settings (Recall stored settings)

Pump variant	Recall settings
TPE3, TPE3 D	•
TPE2, TPE2 D	•
TPE Series 1000	•

Grundfos GO

In this menu, you can recall stored settings from a number of previously stored settings that the pump then uses.

Advanced operating panel

In this menu, you can recall the last stored settings that the pump will then use.

Undo

Pump variant	Undo
TPE3, TPE3 D	•
TPE2, TPE2 D	•
TPE Series 1000	•

The function is only available in Grundfos GO.

Use this function to undo all settings made with Grundfos GO in the current communication session. Once you have recalled settings, you cannot undo.

Pump name

Pump variant	Pump name
TPE3, TPE3 D	•
TPE2, TPE2 D	•
TPE Series 1000	•

The function is only available in Grundfos GO.

Use this function to give the motor a name. The selected name then appears in Grundfos GO.

Factory setting

See section Factory settings of E-pumps.

Related information

[12. Factory settings of E-pumps](#)

Connection code

Pump variant	Connection code
TPE3, TPE3 D	•
TPE2, TPE2 D	•
TPE Series 1000	•

Use the connection code to enable automatic connection between Grundfos GO and the product. Thus, you do not need to press **OK** or the **Radio communication** button each time.

You can also use the connection code to restrict remote access to the product.

You can only set the connection code with Grundfos GO.

Run start-up guide

Pump variant	Run start-up guide
TPE3, TPE3 D	•
TPE2, TPE2 D	•
TPE Series 1000	•

The function is only available in the HMI 300 and 301 operating panels.

The startup guide automatically starts when you start the product for the first time. You can always run the startup guide later. The startup guide guides you through the general settings of the product.

To run the startup guide, go to **Settings > General settings > Run start-up guide**.

Alarm log

Pump variant	Alarm log
TPE3, TPE3 D	•
TPE2, TPE2 D	•
TPE Series 1000	•

This function contains a list of logged alarms from the product. The log shows the alarm code, name of the alarm, when the alarm occurred and when the alarm was reset.

Warning log

Pump variant	Warning log
TPE3, TPE3 D	•
TPE2, TPE2 D	•
TPE Series 1000	•

This function contains a list of logged warnings from the product. The log shows the warning code, name of the warning, when the warning occurred and when the warning was reset.

Assist

Pump variant	Assist
TPE3, TPE3 D	•
TPE2, TPE2 D	•
TPE Series 1000	•

This menu consists of a number of different assist functions.

Assist functions are small guides that take you through the steps needed to set the product.

Assisted pump setup

Pump variant	Assisted pump setup
TPE3, TPE3 D	•
TPE2, TPE2 D	•
TPE Series 1000	•

The menu guides you through the following:

Setting of pump

- Selection of control mode
- Configuration of feedback sensors
- Adjustment of the setpoint
- Controller settings
- Summary of settings.

With Grundfos GO, access the **Assisted pump setup** menu.

With the HMI 300 or 301 operating panel, access the **Assisted pump setup** menu.

Example of how to use the **Assisted pump setup** for setting up the pump to constant pressure:

Grundfos GO

1. Open the **Assist** menu.
2. Select **Assisted pump setup**.
3. Select the control mode Constant pressure.
4. Read the description of this control mode.
5. Select which analog input to use as sensor input.
6. Select sensor function according to where the sensor is installed in the system. See figure Overview of sensor locations.
7. Select electrical input signal according to the sensor specifications.
8. Select measuring unit according to the sensor specifications.
9. Set the minimum and maximum sensor values according to the sensor specifications.
10. Set the desired setpoint.
11. Set the controller settings K_p and T_i . See the recommendations in section Controller (Controller settings).
12. Type the pump name.
13. Check the summary of settings and confirm them.

Advanced control panel

1. Open the **Assist** menu.
2. Select **Assisted pump setup**.
3. Select the control mode Const. pressure.
4. Select which analog input to use as sensor input.
5. Select the measured parameter to be controlled. See figure Overview of sensor locations.
6. Select measuring unit according to the sensor specifications.
7. Set the minimum and maximum sensor values according to the sensor specifications.

8. Select electrical input signal according to the sensor specifications.
9. Set the setpoint.
10. Set the controller settings K_p and T_i . See recommendations in section Controller (Controller settings).
11. Check the summary of settings and confirm them by pressing [OK].

Setup, analog inputs

Pump variant	Setup, analog inputs
TPE3, TPE3 D	•
TPE2, TPE2 D	•
TPE Series 1000	•

This function is only available in the HMI 300 and 301 operating panels.

- **Analog inputs**, follow on-screen instructions.
- **Pt100/1000 inputs**, follow on-screen instructions.

Setting of date and time

Pump variant	Setting of date and time
TPE3, TPE3 D	•
TPE2, TPE2 D	•
TPE Series 1000	•

The function is only available in the HMI 300 and 301 operating panels.

The inputs and outputs available depend on the functional module fitted in the motor.

This menu guides you through the following:

- **Select date format**
- **Set date**
- **Select time format**
- **Set time.**

Multipump function

Pump variant	Multipump setup
TPE3, TPE3 D	•
TPE2, TPE2 D	•
TPE Series 1000	•

The function **Multi-pump function** enables the control of up to four motors connected in parallel without the use of external controllers. The pumps or motors in a system communicate with each other via the wireless GENIair connection or the wired GENI connection.

You can set a multipump system via the master motor, which is the first selected motor.

If several pumps or motors in the system have sensors, they can all function as the master and take over the master function if the other fails. This provides additional redundancy in the multimotor system.

You can choose between the following multimotor functions:

Alternating operation

Alternating operation functions as a duty and standby operating mode and is possible with two pumps or two motors of the same size and type connected in parallel. The main purpose of the function is to ensure an even amount of running hours and to ensure that the other pump or motor starts if the duty pump or motor stops due to an alarm.

You can choose between two alternating operating modes:

- **Alternating operation, time**
The change from one pump or motor to the other is based on time.
- **Alternating operation, energy**
The change from one pump or motor to the other is based on energy consumption.

If the duty pump or motor fails, the other pump or motor starts.

Backup operation

Backup operation is possible with two motors of the same size and type connected in parallel. One motor is operating continuously. The backup motor is operated for a short time each day to prevent seizing up. If the duty motor stops due to a fault, the backup motor starts.

Cascade operation

This function is available with up to 4 motors installed in parallel. The motors must be of the same size and if used with pumps, the pumps must be of the same model.

- The performance is adjusted to the demand through cutting pumps in or out and through parallel control of the pumps in operation.
- The controller maintains controlled value through continuous adjustment of the speed of the pumps.
- Pump changeover is automatic and depends on load, operating hours and fault detection.
- All pumps in operation run at the same speed.
- The number of pumps in operation also depends on the energy consumption of the pumps. If only one pump is required, two pumps will run at a lower speed if this results in a lower energy consumption.

- If several pumps or motors in the system have a sensor, they can all function as the master and take over the master function if the other fails.

Sensor to be used

This function defines the sensor to be used for controlling the pump system.

Select **Master pump sensor** if the sensor is placed in a way where it can measure the output from all the pumps in the system, for example in the manifold.

Select **Running pump sensor** if the sensor is placed on or across individual pumps. For example if the sensor is installed behind non-return valves, and if it is not able to measure the output from all pumps.

This setting is only available in alternating operation and cascade operation.

Description of control mode

Pump variant	Description of control mode
TPE3, TPE3 D	•
TPE2, TPE2 D	•
TPE Series 1000	•

The function is only available in the HMI 300 and 301 operating panels.

The function describes each of the control modes available for the product.

Assisted fault advice

Pump variant	Assisted fault advice
TPE3, TPE3 D	•
TPE2, TPE2 D	•
TPE Series 1000	•

This function provides guidance and corrective actions in the event of product failure.

Priority of settings

With Grundfos GO, you can set the motor to operate at maximum speed or to stop.

If two or more functions are enabled at the same time, the motor operates according to the function with the highest priority.

If you have set the motor to maximum speed via the digital input, the motor operating panel or Grundfos GO can only set the motor to **Manual** or **Stop**.

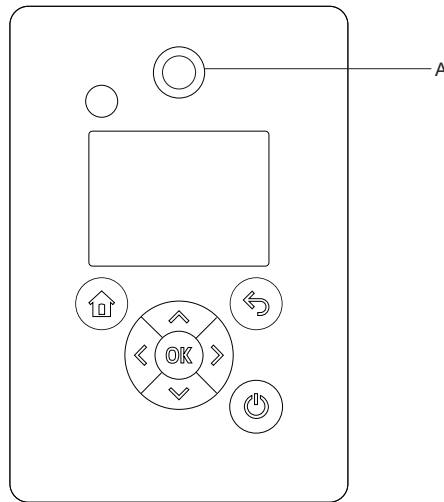
The priority of the settings appears from the table below:

Priority	Start/stop button	Grundfos GO or operating panel on motor	Digital input	Bus communication
1	Stop			
2		Stop ²⁵⁾		
3		Manual		
4		Maximum speed / User defined speed ²⁵⁾		
5			Stop	
6			User defined speed	
7				Stop
8				Maximum speed / User defined speed
9				Minimum speed
10				Start
11			Maximum speed	
12		Minimum speed		
13			Minimum speed	
14			Start	
15		Start		

²⁵⁾ **Stop** and **Maximum speed** settings made with Grundfos GO or on the motor operating panel can be overruled by another operating-mode command sent from a bus, for example **Start**. If the bus communication is interrupted, the motor resumes its previous operating mode, for example **Stop**, that was selected with Grundfos GO or the motor operating panel.

Grundfos Eye

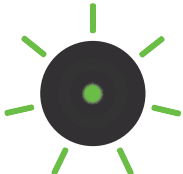
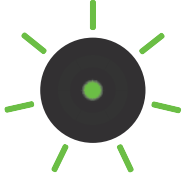
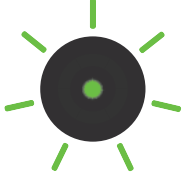

The operating condition of the motor is indicated by Grundfos Eye on the motor operating panel. See figure below (A).



TM064637

Grundfos Eye indicator light

Indicator light	Indication	Description
	No lights are on.	Power off The motor is not running.
	Two opposite green indicator lights are rotating.	Power on The motor is running. The indicator lights are rotating in the direction of rotation of the motor when seen from the non-drive end.
	Two opposite green indicator lights are permanently on.	Power on The motor is not running.
	One yellow indicator light is rotating.	Warning The motor is running. The indicator light is rotating in the direction of rotation of the motor when seen from the non-drive end.
	One yellow indicator light is permanently on.	Warning The motor has stopped.
	Two opposite red indicator lights are flashing simultaneously.	Alarm The motor has stopped.

Indicator light	Indication	Description
	<p>The green indicator light in the middle flashes quickly four times.</p>	<p>Grundfos Eye flashes four times when you press the Grundfos Eye symbol next to the motor name in Grundfos GO.</p>
	<p>The green indicator light in the middle is flashing continuously.</p>	<p>You have selected the motor in Grundfos GO, and the motor is ready to be connected.</p>
	<p>The green indicator light in the middle flashes quickly for a few seconds.</p>	<p>The motor is controlled by Grundfos GO or exchanging data with Grundfos GO.</p>
	<p>The green indicator light in the middle is permanently on.</p>	<p>The motor is connected to Grundfos GO.</p>

Signal relays

The following applies to the pumps below:

- TPE3, TPE3 D pumps
- TPE2, TPE2 D pumps
- TPE Series 1000 pumps

The motor has two outputs for potential-free signals via two internal relays. You can set the signal outputs to **Operation**, **Pump running**, **Ready**, **Alarm** and **Warning**.

The functions of the two signal relays appear from the table below:

Grundfos Eye is off

The power is off.

Operation	Pump running	Ready	Alarm	Warning	Operating mode
					-

Grundfos Eye is rotating green

The pump runs in **Normal** mode in open or closed loop.

Operation	Pump running	Ready	Alarm	Warning	Operating mode
					Normal Min. or Max.

Grundfos Eye is rotating green

The pump runs in **Manual** mode.

Operation	Pump running	Ready	Alarm	Warning	Operating mode
					Manual

Grundfos Eye is permanently green

The pump is ready for operation but is not running.

Operation	Pump running	Ready	Alarm	Warning	Operating mode
					Stop

Grundfos Eye is rotating yellow

Warning, but the pump is running.

Operation	Pump running	Ready	Alarm	Warning	Operating mode
					Normal Min. or Max.

Grundfos Eye is rotating yellow

Warning, but the pump is running.

Operation	Pump running	Ready	Alarm	Warning	Operating mode
					Manual

Grundfos Eye is permanently yellow

Warning, but the pump was stopped via a **Stop** command.

Operation	Pump running	Ready	Alarm	Warning	Operating mode
					Stop

Grundfos Eye is rotating red

Alarm, but the pump is running.

Operation	Pump running	Ready	Alarm	Warning	Operating mode
					Normal Min. or Max.

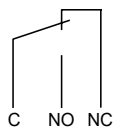
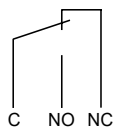
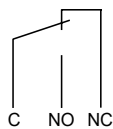
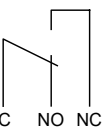
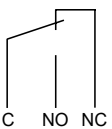
Grundfos Eye is rotating red

Alarm, but the pump is running.

Operation	Pump running	Ready	Alarm	Warning	Operating mode
					Manual

Grundfos Eye is flashing red

The pump has been stopped due to an alarm.

Operation	Pump running	Ready	Alarm	Warning	Operating mode
					Stop

Safe Torque off (STO) function

Safe Torque Off (STO) is a safety function with the purpose to stop the motor from turning, without actively braking it. It follows the definition by EN61800-5-2.

For instructions on how to activate and operate the Safe Torque Off (STO) function, read these installation and operating instructions.



QR92916582

Safe Torque Off

Installation and operating instructions

<http://net.grundfos.com/qr/i/92916582>

12. Factory settings of E-pumps

- Function is enabled.
- Function is disabled.
- Function is not available.

Settings	TPE3, TPE3 D	TPE2, TPE2 D	TPE Series 1000	Multipump
Setpoint	Auto	67 %	58 %	67 %
Operating mode	Normal	Normal	Normal	Normal
Control mode	AutoAdapt	Const. curve	Const. curve	Const. curve
Date and time	•	•	•	•
Buttons on product	•	•	•	•
Controller (Controller settings)				
	T_i	1.0	0.5	0.5
	K_p	8.0	0.5	0.5
Operating range				
	Min.	25 %	25 %	25 %
	Max.	100 %	100 %	110 %
Ramps				
		○	○	○
	Ramp-up	1 second	1 second	1 second
	Ramp-down	3 seconds	3 seconds	3 seconds
Number (Pump number)	1	1	1	1
Radio communication	•	•	•	•
Analog input 1	○	○	○	○
Analog input 2	○	○	○	○
Analog input 3	○	○	○	○
Built-in Grundfos sensor	•	-	-	•
Pt100/1000 input 1	○	○	○	○
Pt100/1000 input 2	○	○	○	○
Digital input 1	○	○	Ext. stop	○
Digital input 2	○	○	○	○
Digital input 3	○	○	○	○
Digital input/output 4	○	○	○	○
Pulse flowmeter	○	○	○	○
Predefined setpoints	○	○	○	○
Analog output	○	○	○	○
External setpoint funct.	○	○	○	○
Relay output 1	Alarm	Alarm	Alarm	○
Relay output 2	Ready	Ready	Ready	○
Limit 1 exceeded	○	○	○	○
Limit 2 exceeded	○	○	○	○
Standstill heating	○	○	○	○
Motor bearing monitoring	○	○	○	○
Pump name	Grundfos	Grundfos	Grundfos	Grundfos
Connection code	-	-	-	-
Unit configuration	SI	SI	SI	SI

Multipump factory setting for twin-pumps: Alternating operation on time.

Related information

[30. Grundfos Product Center](#)

13. Communication

Communication with TPE2, TPE2 D, TPE3, TPE3 D, TPE pumps

Communication with TPE2, TPE2 D, TPE3, TPE3 D, TPE pumps is possible via a central building management system, remote control, Grundfos GO, or control panel.

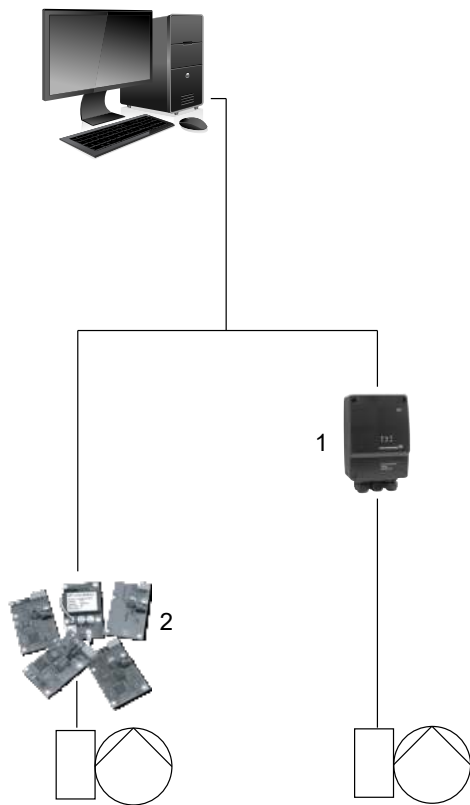
Central building management system

The operator can communicate with a TPE2, TPE2 D, TPE3, TPE3 D, TPE pump at a distance. Communication can take place via a central building management system allowing the operator to monitor and change control modes and setpoint settings.

The CIU module can be used for all TPE versions, but the CIM module can only be used in some of the TPE pumps.

TPE version	CIM	CIU
TPE2, TPE2 D, TPE3, TPE3 D	•	•
TPE up to 22 kW	•	•

- Available.



TM058607

Structure of a central building management system

Pos.	Description
1	CIU 100: LonWorks
	CIU 150: PROFIBUS DP
	CIU 200: Modbus RTU
	CIU 250: GSM
	CIU 270: GRM
	CIU 300: BACnet MS/TP
	CIU 500: Modbus TCP CIU 500: PROFINET IO
2	CIM 100: LONWorks
	CIM 150: PROFIBUS DP
	CIM 200: Modbus RTU
	CIM 260: 3G/4G cellular
	CIM 280: GRM GiC 3G/4G
	CIM 300: BACnet MS/TP
	CIM 500: PROFINET
	CIM 500: Modbus TCP
	CIM 500: BACnet IP
	CIM 500: EtherNet/IP
CIM 500: GRM IP	

Remote control

The operator can monitor and change control modes and settings of the pump with Grundfos GO. See section Grundfos GO.

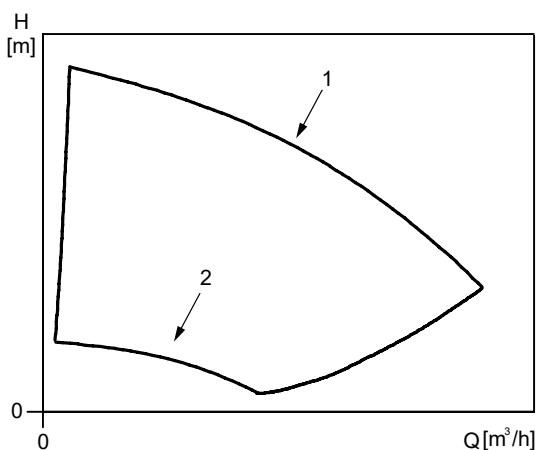
14. Speed regulation of TPE, TPE2, TPE2 D, TPE3, TPE3 D pumps

Affinity equations

Normally, the pumps are used in applications characterised by a variable flow rate. Consequently, you cannot select a pump that is constantly operating at its optimum efficiency.

In order to achieve optimum operating economy, the duty point must be close to the optimum efficiency, eta, for most operating hours.

Between the minimum and maximum performance curves, the pumps have an infinite number of performance curves each representing a specific speed. Therefore, you may not be able to select a duty point close to the maximum curve.



Minimum and maximum performance curves

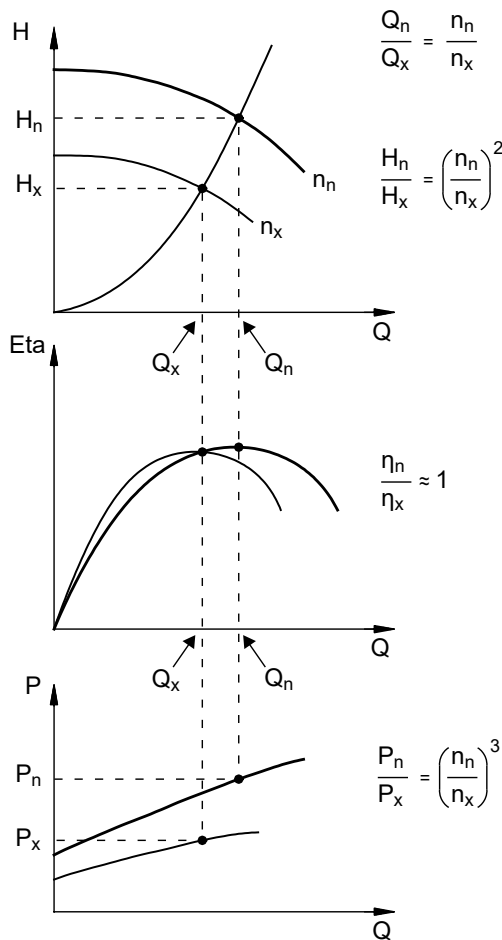
Pos.	Description
1	Maximum curve
2	Minimum curve

In situations where you can select a duty point close to the maximum curve, use the affinity equations below. The head, H, the flow rate, Q and the input power, P, are the appropriate variables you need for calculating the motor speed, n.

Note: The approximated formulas apply on condition that the system characteristic remains unchanged for the rated motor speed and the current motor speed, and that it is based on the following formula: H is equal to k x Q² where k is a constant.

The power equation implies that the pump efficiency is unchanged at the two speeds. In practice, this is not quite correct.

Finally, it is worth noting that the efficiencies of the frequency converter and the motor must also be taken into account if you want a precise calculation of the power saving resulting from a reduction of the pump speed.



Affinity equations

Legend

H _n	Rated head in metres
H _x	Current head in metres
Q _n	Rated flow rate in m ³ /h
Q _x	Current flow rate in m ³ /h
n _n	Rated motor speed in min ⁻¹
n _x	Current motor speed in min ⁻¹
η _n	Rated efficiency in %
η _x	Current efficiency in %
P _n	Rated power in kW
P _x	Current power in kW

Grundfos Product Center



Grundfos Product Center can help you select the right pump according to your requirements. See section Grundfos Product Center.

15. Control of pumps in parallel

In some applications, parallel pump operation is required for one or more of the following reasons:

- One pump cannot achieve the required performance, flow rate.
- Standby performance is required to ensure reliability of supply.
- Overall efficiency needs to be improved in case of big variations in the flow demand.

The table below lists the different possibilities of controlling pumps connected in parallel.

Parallel-operation control possibilities	TP	TPE2	TPE2 D	TPE3	TPE3 D	TPE Series 1000
Built-in alternation/standby function		•	•	•	•	•
Built-in parallel operation function		•	•	•	•	•
Control MPC 	•	•			•	•
Control MPC Series 2000 				•		

- Available.
- Available on request.

Alternation/standby function

The alternation/standby function is activated from factory and "Alternating" mode is selected as default.

Pumps connected to Control MPC

You can connect TP, TPE, TPE2, TPE3 pumps directly to Grundfos Control MPC.

Control MPC incorporates a CU 352 control unit that can control up to six pumps.

By means of an external sensor, Control MPC can ensure optimum adaptation of the performance to the demand by closed-loop control of these parameters:

- proportional differential pressure
- constant differential pressure
- differential pressure (remote)
- flow rate
- temperature.

CU 352 incorporates features such as those below:

Startup wizard

Correct installation and commissioning is a prerequisite for attaining optimum performance of the system and trouble-free operation year in and year out.

During commissioning of the system, a startup wizard is shown on the display of CU 352. The wizard guides the operator through the various steps via a series of dialogue boxes to ensure that all settings are done in the correct sequence.

Application-optimised software

CU 352 incorporates application-optimised software which helps you set your system to the application in question. Furthermore, navigating through the menus of the control unit is done in a user-friendly way. You do not need any training to be able to set and monitor the system.

Ethernet connection

CU 352 incorporates an ethernet connection which makes it possible to get full and unlimited access to the setting and monitoring of the system via a remote PC.

Service port, GENI TTL

The service port of CU 352 enables easy access to updating software and data logging in service situations.

External communication

Control MPC enables communication with other fieldbus protocols. In order to communicate with other fieldbus protocols, a GENIbus module and a gateway are required. Control MPC can communicate with LonWorks, PROFIBUS, Modbus, BACnet, GSM/GPRS or GRM via Grundfos CIU.

Pumps connected to Control MPC Series 2000

TPE3 pumps are connected directly to Grundfos Control MPC Series 2000 via GENibus.

Control MPC Series 2000 incorporates a CU 352 control unit that can control up to six pumps.

All pumps must be of the same type and size.

Control MPC Series 2000 is used for controlling circulator pumps in heating and air-conditioning applications.

Control MPC Series 2000 ensures optimal adaptation of the performance to the demand by closed-loop control of these parameters:

- proportional differential pressure
- constant differential pressure.

By means of an external sensor Control MPC Series 2000 can also ensure optimum adaptation of the performance to the demand by closed-loop control of these parameters:

- differential pressure (remote)
- flow rate
- temperature.

Note : For further information about Control MPC and Control MPC Series 2000, see the data booklet "Control MPC". The data booklet is available online in Grundfos Product Center. See section Grundfos Product Center.

Related information

[30. Grundfos Product Center](#)

16. Grundfos CUE

TP pumps connected to Grundfos CUE, external frequency converters



GR-1031505

Grundfos CUE

Grundfos CUE is a complete range of wall-mounted frequency converters for pump control in a wide range of applications.

The frequency converter provides a variety of benefits, such as these:

- Grundfos E-pump functionality and user interface
- application- and pump family-related functions
- increased comfort compared to fixed-speed pump solutions
- simple installation and commissioning compared to standard frequency converters
- speed control of pumps up to 250 kW.

Functions

Intuitive startup guide

The startup guide enables easy installation and commissioning as well as plug-and-pump convenience. Few settings need to be made by the installer as the rest is done automatically or preset from the factory.

Smart user interface



GR-1031498

Grundfos CUE user interface

The frequency converter features a unique user-friendly control panel with graphic display and easy-to-use buttons.

Controlling the value you choose

The frequency converter has a built-in PI controller offering closed-loop control of a desired value, such as these:

- constant differential pressure
- proportional pressure
- constant temperature
- constant pressure
- constant flow rate.

Wide product range

The CUE product range is quite comprehensive, covering five different voltage ranges, enclosure classes IP20/21 (NEMA 1) and IP54/55 (NEMA 12), and a wide range of output powers.

The table below provides a general overview.

Input voltage [V]	Output voltage [V]	Motor [kW]
1 x 200-240	3 x 200-240	1.1 - 7.5
3 x 200-240	3 x 200-240	0.75 - 45
3 x 380-500	3 x 380-500	0.55 - 250
3 x 525-600	3 x 525-600	0.75 - 7.5
3 x 525-690	3 x 525-690	11-250

External communication

The frequency converter can communicate with LonWorks, PROFIBUS, Modbus, BACnet or GSM/GPRS via Grundfos CIU.

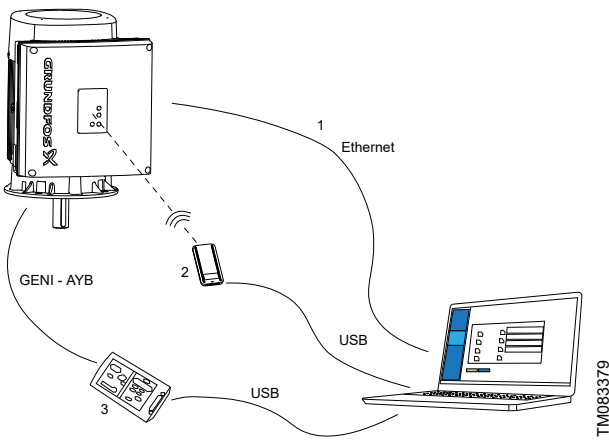
17. Grundfos GO Link

The product is designed for wired or wireless communication with Grundfos GO Link.

Grundfos GO Link enables you to set functions and gives you access to status overviews, configuration and current operating parameters.

Use Grundfos GO Link together with these interfaces:

- Ethernet cable (Only FM310 and FM311)
- Grundfos MI 301 - USB - Wired/wireless (Only HMI 100, HMI 200 and HMI 300)
- Grundfos MI 301 - USB - Wired/wireless (Only HMI 200 and HMI 300)
- Grundfos PC Tool Link - USB - Wired



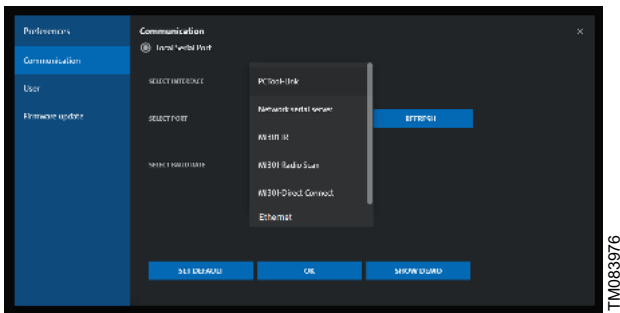
Grundfos GO Link setup

Pos.	Description
1	Ethernet cable: Standard Ethernet cable CAT5/CAT6.
2	Grundfos MI 301: Separate module enabling radio communication. Use the module together with a USB cable to connect to a laptop.
3	Grundfos PC Tool Link: Separate module enabling wired connection to the pump. Use the module together with a USB cable to connect to a laptop.

Communication

When Grundfos GO Link initiates communication with the product, it is done using different verification methods.

Select the interface connected to the pump:



Ethernet

Wired connection can take place using an Ethernet cable connected directly between a laptop and the RJ45 interface in the pump or via a local network having both the pump and the laptop connected to the same network. To establish a secure connection between the laptop and the pump, the user will have to go through a verification process.

Connecting to a pump can either happen by scanning for a connected product, which can be a direct Ethernet connection, or the pump is connected to a local network or a connection via the pump IP address.

Initiate connection from Grundfos GO Link and follow onscreen instructions.

Grundfos MI 301

Radio communication can take place at distances up to 30 metres. The first time Grundfos GO Link communicates with the product, you enable communication by pressing the **Radio communication** button or **OK** on the operating panel. Select either MI301-Direct connect or MI301-Radio. When communication takes place, the product is recognized by Grundfos GO Link, and you can connect using Direct connect or Radio scan without having to run a verification.

Radio communication can take place at distances up to 98 ft (30 m). The first time Grundfos GO Link communicates with the product, you enable communication by pressing the **Radio communication** button or **OK** on the operating panel. Select either MI301-Direct connect or MI301-Radio. When communication takes place, the product is recognized by Grundfos GO Link, and you can connect using Direct connect or Radio scan without having to run a verification.

Grundfos PC Tool Link

Wired connection can take place using Grundfos PC Tool connected to the AYB terminals of the pump. Since Grundfos GO Link is wired to the pump within a short distance, no verification is needed. A direct connection will be established.

18. Motor data

Motor

The motor fitted on TP pumps is a totally enclosed, fan-cooled motor with main dimensions to IEC and DIN standards. Electrical tolerances to IEC 34.

Mounting designation

Pump type	Mounting designation - IEC 34-7
TP Series 200	IM 3601 (IM B 14) / IM 3611 (IM V 18)
TP Series 300	IM 3001 (IM B 5) / IM 3011 (IM V 1)

Relative humidity:	Maximum 95 %
Enclosure class:	IP55
Insulation class:	F (IEC 85)
Ambient temperature:	See section Ambient temperature.

If the pump is installed in humid locations, open the lowest drain hole in the motor. This will reduce the motor enclosure class to IP44.

High-efficiency motors

TP pumps are fitted with high-efficiency motors.

TP, TPD pumps with three-phase motors from 0.12 to 0.37 kW are fitted with IE2 motors, 0.55 to 55 kW are fitted with IE3 motors, 75 to 200 kW are fitted with IE4 motors and 250 kW and up are fitted with IE3 motors.

TPE2, TPE2 D, TPE3, TPE3 D pumps are fitted with Grundfos permanent-magnet MGE motors that have motor efficiency class IE5 according to IEC 60034-30-2.

TPE pumps fitted with Grundfos permanent-magnet MGE motors that have motor efficiency class IE5 according to IEC 60034-30-2.

Motor range

kW	Mains-operated motors		Electronically speed-controlled motors	
	2-pole	4-pole	2-pole	4-pole
0.25				
0.37		MG		
0.55				
0.75				
1.1				
1.5				
2.2				
3.0				
4.0	MG		MGE	
5.5				
7.5				
11.0				
15.0				
18.5				
22.0				
30.0		Siemens		
37.0				
45.0				
55.0				
75.0				
90.0	Siemens			
110.0				
132.0				
160.0				
200.0				
250.0				
315.0				

MG and MGE are Grundfos motor brands.

Siemens is a sourced high-quality motor brand.

The grey-shaded areas indicate non-available motors.

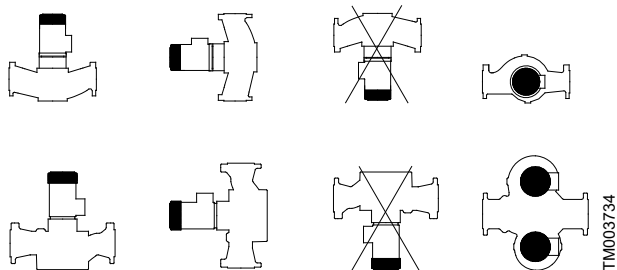
Related information

[Ambient temperature](#)

19. Installation

Mechanical installation

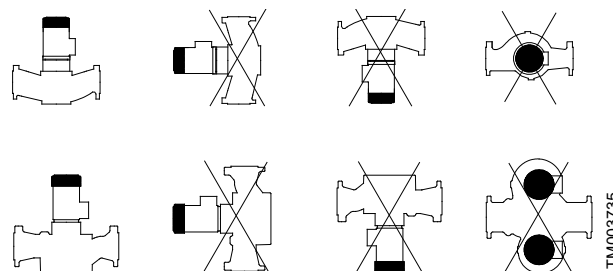
You can install TP pumps with motors smaller than 11 kW in horizontal or vertical pipes.



Installation of motor sizes smaller than 11 kW

You can suspend pumps with motors smaller than 11 kW directly in the pipes, provided the pipes can support the pump. If not, install the pump on a mounting bracket or base plate.

Only install TP pumps with motors of 11 kW and up in horizontal pipes with the motor in vertical position. Always install the pump on an even and rigid foundation.








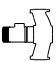

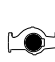
Installation of motor sizes of 11 kW and up

Note: The motor must never point downwards. Install the pumps in such a way that strain from the pipes is not transferred to the pump housing.

However, you can suspend some TP, TPE pumps of 11 kW and up directly in the pipes, either horizontally or vertically. See the table below:

TP, TPE pumps from 11 kW and up suspended in the pipes

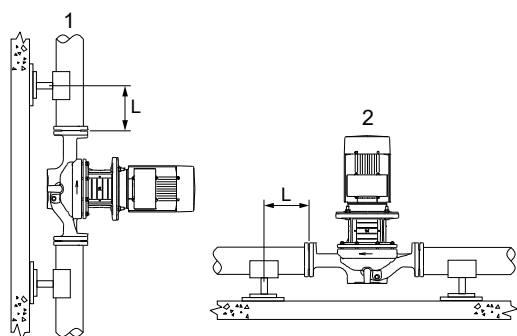
Pump type	PN 16	PN 25	P2 [kW]	Motor pointing up				Motor pointing down			
60 Hz											
TP, TPE 65-480/2	•	-	11	-	-	-	-	•	-	-	-
TP, TPE 65-540/2	•	-	15	-	-	-	-	•	-	-	-
TP, TPE 65-630/2	•	-	18.5	-	-	-	-	•	-	-	-
TP, TPE 65-740/2	•	-	22	-	-	-	-	•	-	-	-
TP, TPE 80-330/2	•	-	11	-	-	-	-	•	-	-	-
TP, TPE 80-400/2	•	-	15	-	-	-	-	•	-	-	-
TP, TPE 80-480/2	•	-	18.5	-	-	-	-	•	-	-	-
TP, TPE 80-530/2	•	-	22	-	-	-	-	•	-	-	-
TP, TPE 100-300/2	•	-	11	-	-	-	-	•	-	-	-
TP, TPE 100-370/2	•	-	15	-	-	-	-	•	-	-	-
TP, TPE 100-350/2	•	-	18.5	-	-	-	-	•	-	-	-
TP, TPE 100-380/2	•	-	22	-	-	-	-	•	-	-	-
TP, TPE 80-340/4	•	-	11	-	-	-	-	•	-	-	-
TP, TPE 80-410/4	•	-	15	-	-	-	-	•	-	-	-
TP 80-460/4	•	-	18.5	-	-	-	-	•	-	-	-
TP 80-510/4	•	-	22	-	-	-	-	•	-	-	-
TP, TPE 100-240/4	•	•	11	•	-	-	-	•	-	-	-
TP, TPE 100-260/4	•	-	11	-	-	-	-	•	-	-	-
TP, TPE 100-290/4	•	•	15	•	-	-	-	•	-	-	-
TP 100-340/4	•	•	18.5	•	-	-	-	•	-	-	-
TP 100-350/4	•	-	22	-	-	-	-	•	-	-	-
TP 100-390/4	•	•	22	•	-	-	-	•	-	-	-
TP 100-470/4	-	•	30	•	-	-	-	-	-	-	-
TP 100-560/4	-	•	37	•	-	-	-	-	-	-	-
TP, TPE 125-200/4	•	-	11	-	-	-	-	•	-	-	-
TP, TPE 125-230/4	•	-	15	-	-	-	-	•	-	-	-
TP, TPE 125-220/4	-	•	15	-	-	-	-	•	-	-	-
TP 125-280/4	•	•	18.5	-	-	-	-	•	-	-	-

Pump type	PN 16	PN 25	P2 [kW]								
TP 125-340/4	•	•	22				-			•	
TP 125-365/4	-	•	30				•			-	
TP 125-420/4	-	•	30				•			-	
TP 125-480/4	-	•	37				•			-	
TP 125-550/4	-	•	45				•			-	
TP 125-580/4	-	•	55				•			-	
TP, TPE 150-180/4	•	•	15				-			•	
TP 150-210/4	•	•	18.5				-			•	
TP 150-240/4	•	•	22				-			•	
TP 150-300/4	-	•	30				•			-	
TP 150-340/4	-	•	37				•			-	
TP 150-360/4	-	•	30				•			-	
TP 150-400/4	-	•	37				•			-	
TP 150-440/4	-	•	45				•			-	
TP 150-480/4	-	•	55				•			-	
TP 150-610/4	-	•	75				•			-	
TP 150-810/4	-	•	110				•			-	
TP 150-960/4	-	•	132				•			-	
TP 200-250/4	-	•	30				•			-	
TP 200-400/4	-	•	75				•			-	
TP 200-430/4	-	•	55				•			-	
TP 300-230/4	-	•	45				•			-	
TP 300-270/4	-	•	55				•			-	
TP 300-360/4	-	•	75				•			-	
TP 300-370/4	-	•	90				•			-	
TP 300-440/4	-	•	110				•			-	
TP 300-550/4	-	•	132				•			-	
TP 300-630/4	-	•	160				•			-	
TP 300-640/4	-	•	200				•			-	
TP 300-750/4	-	•	250				•			-	
TP 350-400/4	-	•	132				•			-	
TP 350-450/4	-	•	160				•			-	
TP 350-540/4	-	•	200				•			-	
TP 350-680/4	-	•	250				•			-	

In installations where the pump is suspended directly in the pipes, the pump can support the pipe length L on both sides of the pump. L is less than 3 x DN. See the figure below. In installations where the pump is suspended directly in the pipes, the pump must be lifted and held in correct position by means of ropes or similar until both pump flanges are completely fastened to the pipe flanges.

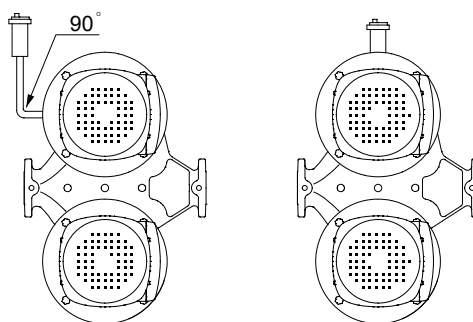
Pos.	Description
1	Vertical pipe
2	Horizontal pipe

When installing a twin-head pump in a horizontal pipe and with horizontal shaft, fit the upper pump housing with an automatic vent.



Pump suspended directly in the pipes

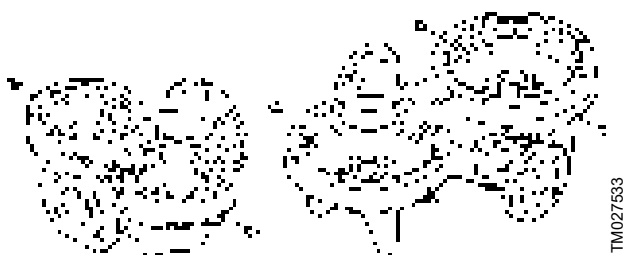
TM063518



Twin-head pumps with automatic vent

TM038127

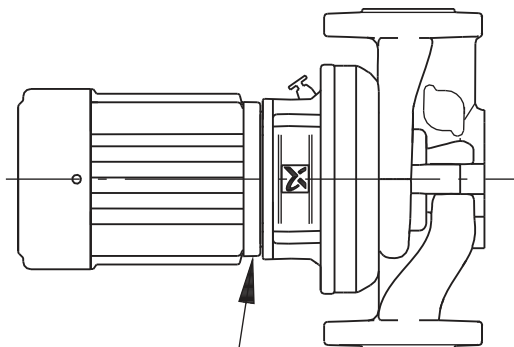
Twin-head pump housings have two Rp 1/4 tappings, TP Series 200, TPE2 D, TPE3 D, or four Rp 1/8 tappings, TP Series 300 for mounting of automatic vents.



TM027533

Tappings for mounting of automatic vents in TP Series 200, TPE2 D, TPE3 D and TP Series 300

For further information about identification of TP Series 300 models, see section TP Series 300 pumps. If the liquid temperature falls below the ambient temperature or if the pump is installed outside, condensation may form in the motor during inactivity. In this case, the drain hole in the motor flange must be open and point downwards. See the figure below:



TM009831

Drain hole

If twin-head pumps are used for pumping liquids with a temperature below 0 °C / 32 °F, condensed water may freeze and cause the coupling to get stuck. You can remedy the problem by installing heating elements. Whenever possible, install pumps with motors smaller than 11 kW with horizontal motor shaft. See the figure above.

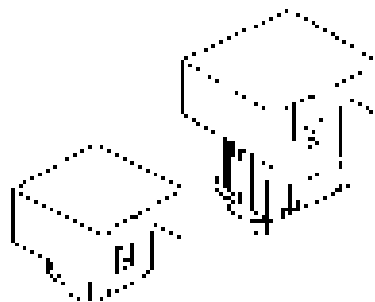
Cooling

To ensure sufficient cooling of motor and electronics, observe the following:

- Place the pump in such a way that sufficient cooling is ensured.
- Keep the motor cooling fins, holes in fan cover and fan blades clean.
- Make sure the frequency for the motor is at least 6 Hz, 12 % of maximum speed. The shaft seal may generate noise at speeds below 25 % of maximum speed.

Condensation cover

When installing the pumps outdoors, provide the motor with a suitable cover to protect the pump and motor against the direct effects of the elements. When mounting the condensation cover on top of the motor, make sure to leave enough space for the air to cool the motor.



TM028514

Motors with condensation cover

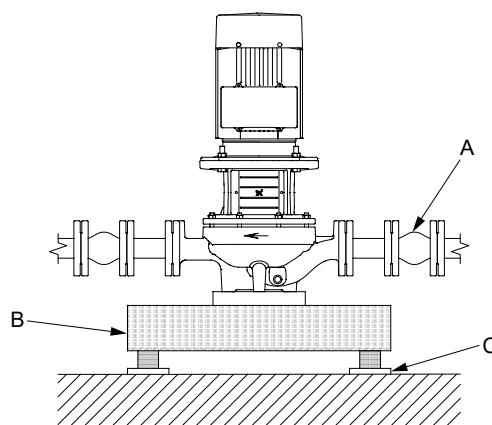
Elimination of noise and vibrations

In order to achieve optimum operation and minimum noise and vibration, consider vibration dampening of the pump. Generally, always consider this for pumps with motors of 11 kW and up, but for motors of 90 kW and up as well as the pumps stated in the table below, vibration dampening is mandatory. Smaller motor sizes, however, may also cause undesirable noise and vibration.

Pump type	Frequency [Hz]
TP 200-280/4	60
TP 200-320/4	60
TP 200-360/4	60
TP 200-390/4	60

Noise and vibration are generated by the revolutions of the motor and pump and by the flow in pipes and fittings. The effect on the environment is subjective and depends on correct installation and the state of the remaining system.

Elimination of noise and vibrations is best achieved by means of a concrete foundation, vibration dampers and expansion joints.



TM024993

Foundation of TP pump

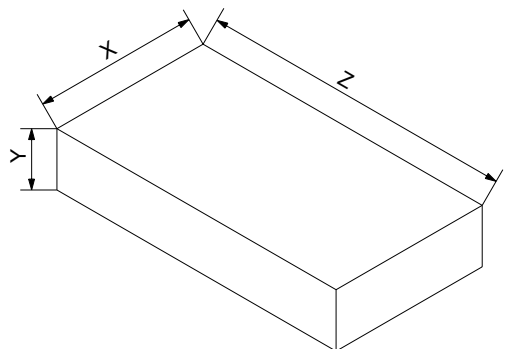
Pos.	Description
A	Expansion joint
B	Concrete foundation
C	Vibration dampers

Concrete foundation

Install the pump on a plane and rigid concrete foundation. This is the optimum solution for vibration dampening. As a rule of thumb, the weight of a concrete foundation must be 1.5 times the pump weight.

Recommended concrete foundations for TP, TPD Series 300 pumps

For TP Series 300 pumps with weights of 150 kg or more, we recommend that you mount the pump on a concrete foundation with the dimensions stated in the table below. The same recommendation applies to TPD Series 300 pumps with weights of 300 kg or more.



TM039190

Foundation for TP, TPD Series 300 pumps

Pump mass [kg]	Concrete foundation dimensions		
	X (Height) [mm]	Y (Length) [mm]	Z (Width) [mm]
150	280	565	565
200	310	620	620
250	330	670	670
300	360	710	710
350	375	750	750
400	390	780	780
450	410	810	810
500	420	840	840
550	440	870	870
600	450	900	900
650	460	920	920
700	470	940	940
750	480	970	970
800	490	990	990
850	500	1010	1010
900	510	1030	1030
950	520	1050	1050
1000	530	1060	1060
1050	540	1080	1080
1100	550	1100	1100
1150	560	1100	1100
1200	560	1130	1130
1250	570	1150	1150
1300	580	1160	1160
1350	590	1180	1180
1400	600	1190	1190
1450	600	1200	1200
1500	610	1220	1220

Pump mass [kg]	Concrete foundation dimensions		
	X (Height) [mm]	Y (Length) [mm]	Z (Width) [mm]
1550	620	1230	1230
1600	620	1250	1250
1650	630	1250	1250
1700	635	1270	1270
800	450	1400	800
1000	450	1400	1000
1200	450	1400	1200
1400	500	1600	1200
1600	500	1600	1350
1800	500	1600	1500
2000	550	1600	1600
2200	550	1700	1700
2400	550	1800	1800
2600	600	1800	1800
3000	600	2000	2000
3400	680	2000	2000
3800	760	2000	2000
4200	840	2000	2000
4600	920	2000	2000
5000	1000	2000	2000
5400	1080	2000	2000

Vibration dampers

To prevent the transmission of vibrations to buildings, we recommend that you isolate the pump foundation from building parts by means of vibration dampers.

The selection of the right vibration damper requires the following data:

- Forces transmitted through the damper.
- Motor speed considering speed control, if any.
- Required dampening in %. The suggested value is 70 %.

The right damper varies from installation to installation, and a wrong damper may increase the vibration level. Vibration dampers must therefore be sized by the supplier.

If you install the pump on a foundation with vibration dampers, always fit expansion joints on the pump flanges. This is important to prevent the pump from "hanging" in the flanges.

Expansion joints

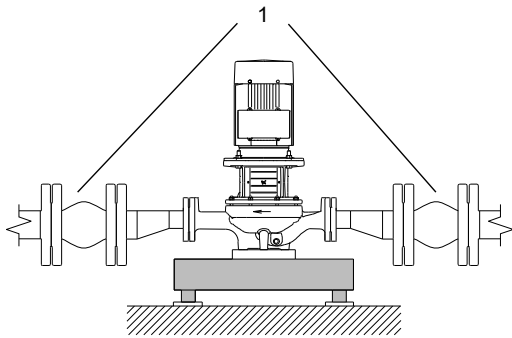
Expansion joints do the following:

- absorb expansions or contractions in the pipes caused by changing liquid temperature.
- reduce mechanical strains in connection with pressure surges in the pipes.
- isolate mechanical structure-borne noise in the pipes. Only rubber bellows expansion joints.

Note: Do not install expansion joints to compensate for inaccuracies in the pipes such as centre displacement of flanges.

Fit expansion joints at a distance of minimum 1 to 1.5 times the nominal flange diameter away from the pump on the inlet as well as on the outlet side. This prevents the

development of turbulence in the expansion joints, resulting in better suction conditions and a minimum pressure loss on the outlet side. At high water velocities, greater than 5 m/s, we recommend that you install larger expansion joints corresponding to the pipes.



TM049629

TP pump installed with larger expansion joints

Pos.	Description
1	Expansion joints

The illustration below shows examples of rubber bellows expansion joints with or without limit rods.



Examples of rubber bellows expansion joints

You can use expansion joints with limit rods to reduce the effects of the expansion or contraction forces on the pipes. We always recommend expansion joints with limit rods for flanges larger than DN 100.

Anchor the pipes in such a way that they do not stress the expansion joints and the pump. Follow the supplier's instructions and pass them on to advisers or pipe installers.

The illustration below shows an example of a metal bellows expansion joint with limit rods.



TM024980

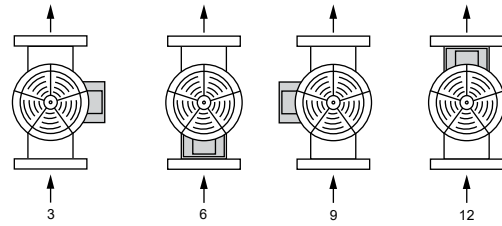
Example of metal expansion joint

Due to the risk of rupture of the rubber bellows, metal bellows expansion joints may be preferred at temperatures above 100 °C combined with high pressure.

Terminal box positions

TP single-head pumps

As standard, the terminal boxes of TP and TPE, TPE2, TPE3 pumps are mounted in 9 o'clock position. The possible terminal box positions are shown below.



TM030665

Possible terminal box positions

Pos.	Description
3	3 o'clock position
6	6 o'clock position
9	9 o'clock position
12	12 o'clock position

Note: Due to the motor construction, the terminal boxes of some TP pumps with motor sizes above 250 kW are mounted in 10:30 position.

TPD twin-head pumps

As standard, the terminal boxes of all TPD pumps are mounted in 12 o'clock position. See the figure above.

On TPE2 D, TPE3 D pumps the terminal box is installed in a position different from 12 o'clock.

Electrical installation

Mains-operated motors

The operating voltage and frequency are marked on the pump nameplate. Make sure that the motor is suitable for the power supply on which it will be used.

Single-phase standard motors incorporate a thermal switch and require no additional motor protection.

Three-phase motors must be connected to a motor starter.

Motors of 3 kW and up incorporate thermistors, PTC. The thermistors are designed according to DIN 44082.

The electrical connection must be carried out as shown in the diagram inside the terminal box cover.

The motors of twin-head pumps are to be connected separately.

Frequency converter operation

Motors types Siemens, MG 71 and MG 80 for supply voltages up to and including 440 V must be protected against voltage peaks higher than 650 V between the supply terminals. See the motor nameplate.

Grundfos motors:

You can connect all three-phase Grundfos motors from frame size 90 and up to a frequency converter.

The connection of a frequency converter often has the effect that the motor insulation system is loaded more and that the motor is more noisy than during normal operation. In addition, large motors are loaded by bearing currents caused by the frequency converter.

In the case of frequency converter operation, consider the following:

In 2-pole motors from 45 kW, 4-pole motors from 37 kW and 6-pole motors from 30 kW, one of the motor bearings must be electrically isolated to prevent damaging currents from passing through the motor bearings.

In the case of noise-critical applications, reduce the motor noise by fitting a dU/dt filter between the motor and the frequency converter. In particularly noise-critical applications, we recommend that you fit a sinusoidal filter.

The length of the cable between the motor and frequency converter affects the motor load. Therefore, check that the cable length meets the specifications laid down by the frequency converter supplier.

For supply voltages between 500 and 690 V, fit either a dU/dt filter to reduce voltage peaks or use a motor with reinforced insulation.

For supply voltages of 690 V, use a motor with reinforced insulation, and fit a dU/dt filter.

For other motor makes than Grundfos, contact Grundfos or the motor manufacturer.

20. Motors for TPE2, TPE2 D, TPE3, TPE3 D pumps and 2.2 - 11 kW 2-pole motors and 1.5 - 7.5 kW 4-pole motors fitted on TPE Series 1000 pumps

Single-phase supply voltage

1 x 200-240 V - 10 %/+ 10 %, 50/60 Hz, PE.

Recommended fuse size

Motor size [kW]	Min. [A]	Max. [A]
0.25 - 0.75	6	10
1.1 - 1.5	10	16

You can use standard as well as quick-blow or slow-blow fuses.

Leakage current

Earth leakage current less than 3.5 mA, AC.

Earth leakage current less than 10 mA, DC.

The leakage currents are measured in accordance with EN 61800-5-1:2007.

Three-phase supply voltage

3 x 380-500 V - 10 %/+ 10 %, 50/60 Hz, PE.

Recommended fuse size

Motor size [kW]	Min. [A]	Max. [A]
1.5	6	10
2.2	6	16
3	10	16
4	13	16
5.5	16	32
7.5	20	32
11	32	32

You can use standard as well as quick-blow or slow-blow fuses.

Leakage current, AC

Speed [min ⁻¹]	Power [kW]	Mains voltage [V]	Leakage current [mA]
1400-2000 1450-2200	0.25 - 1.5	≤ 400	< 3.5
		> 400	< 5
	2.2 - 4	≤ 400	< 3.5
		> 400	< 3.5
5.5 - 7.5	≤ 400	< 3.5	
	> 400	< 5	
2900-4000	0.25 - 2.2	≤ 400	< 3.5
		> 400	< 5
	3 - 5.5	≤ 400	< 3.5
		> 400	< 3.5
	7.5 - 11	≤ 400	< 3.5
		> 400	< 5

The leakage currents are measured without any load on the shaft and in accordance with EN 61800-5-1:2007.

Inputs and outputs

Earth reference, GND

All voltages refer to GND.

All currents return to GND.

Absolute maximum voltage and current limits

Exceeding the following electrical limits may result in severely reduced operating reliability and motor life:

Relay 1:

Maximum contact load: 250 VAC, 2 A or 30 VDC, 2 A.

Relay 2:

Maximum contact load: 30 VDC, 2 A.

GENI terminals: -5.5 to 9.0 VDC or less than 25 mADC.

Other input or output terminals: -0.5 to 26 VDC or less than 15 mADC.

Digital inputs, DI

Internal pull-up current greater than 10 mA at V_i equal to 0 VDC.

Internal pull-up to 5 VDC (currentless for V_i greater than 5 VDC).

Certain low logic level: V_i less than 1.5 VDC.

Certain high logic level: V_i greater than 3.0 VDC.

Hysteresis: No.

Screened cable: 0.5 - 1.5 mm², 28-16 AWG.

Maximum cable length: 500 m.

Open-collector digital outputs, OC

Current sinking capability: 75 mADC, no current sourcing.

Load types: Resistive or/and inductive.

Low-state output voltage at 75 mADC: Maximum 1.2 VDC.

Low-state output voltage at 10 mADC: Maximum 0.6 VDC.

Overcurrent protection: Yes.

Screened cable: 0.5 - 1.5 mm² / 28-16 AWG.

Maximum cable length: 500 m.

Analog inputs, AI

Voltage signal ranges:

- 0.5 - 3.5 VDC, AL AU.
- 0-5 VDC, AU.
- 0-10 VDC, AU.

Voltage signal: R_i greater than 100 kΩ at 25 °C.

Leak currents may occur at high operating temperatures. Keep the source impedance low.

Current signal ranges:

- 0-20 mADC, AU.
- 4-20 mADC, AL AU.

Current signal: R_i equal to 292 Ω.

Current overload protection: Yes. Change to voltage signal.

Measurement tolerance: - 0/+ 3 % of full scale (maximum-point coverage).

Screened cable: 0.5 - 1.5 mm², 28-16 AWG.

Maximum cable length: 500 m, excl. potentiometer.

Potentiometer connected to +5 V, GND, any AI:

Use maximum 10 kΩ.

Maximum cable length: 100 m.

Analog output, AO

Current sourcing capability only.

Voltage signal:

- Range: 0-10 VDC.
- Minimum load between AO and GND: 1 kΩ.
- Short-circuit protection: Yes.

Current signal:

- Ranges: 0-20 and 4-20 mA DC.
- Maximum load between AO and GND: 500 Ω.
- Open-circuit protection: Yes.

Tolerance: - 0/+ 4 % of full scale (maximum-point coverage).

Screened cable: 0.5 - 1.5 mm², 28-16 AWG.

Maximum cable length: 500 m.

Pt100/1000 inputs, PT

Temperature range:

- Minimum -30 °C, 88 Ω / 882 Ω.
- Maximum 180 °C, 168 Ω / 1685 Ω.

Measurement tolerance: ± 1.5 °C.

Measurement resolution: less than 0.3 °C.

Automatic range detection, Pt100 or Pt1000: Yes.

Sensor fault alarm: Yes.

Screened cable: 0.5 - 1.5 mm², 28-16 AWG.

Use Pt100 for short wires.

Use Pt1000 for long wires.

LiqTec sensor inputs*

Use Grundfos LiqTec sensor only.

Screened cable: 0.5 - 1.5 mm², 28-16 AWG.

Grundfos Digital Sensor input and output, GDS

Use Grundfos Digital Sensor only *.

* Only applicable for TPE3, TPE3 D pumps.

Power supplies

+5 V:

- Output voltage: 5 VDC - 5 %/+ 5 %.
- Maximum current: 50 mA DC, sourcing only.
- Overload protection: Yes.

24 V:

- Output voltage: 24 VDC - 5 %/+ 5 %.
- Maximum current: 60 mA DC, sourcing only.
- Overload protection: Yes.

Digital outputs, relays

Potential-free changeover contacts.

Minimum contact load when in use: 5 VDC, 10 mA.

Screened cable: 0.5 - 2.5 mm², 28-12 AWG.

Maximum cable length: 500 m.

Bus input

Grundfos GENIbus protocol, RS-485.

Screened 3-core cable: 0.5 - 1.5 mm², 28-16 AWG.

Maximum cable length: 500 m.

EMC, electromagnetic compatibility

Standard used: EN 61800-3.

The table below shows the emission category of the motor.

C1 fulfils the requirements for residential areas.

Note: When connected to a public network, 11 kW motors do not comply with the partial weighted harmonic distortion (PWHd) requirements of EN 61000-3-12. If required by the distribution network operator, compliance can be obtained in the following way:

The impedance of the mains cables between the motor and the point of common coupling (PCC) must be equivalent to the impedance of a 50 m cable with a cross-section of 0.5 mm.

C3 fulfils the requirements for industrial areas.

Note: When the motors are installed in residential areas, supplementary measures may be required as the motors may cause radio interference.

Motor [kW]	Emission category	
	1450-2000 min ⁻¹	2900-4000 min ⁻¹ 4000-5900 min ⁻¹
0.12	C1	C1
0.25	C1	C1
0.37	C1	C1
0.55	C1	C1
0.75	C1	C1
1.1	C1	C1
1.5	C1	C1
2.2	C1	C1
3	C1	C1
4	C1	C1
5.5	C3/C1 ²⁶⁾	C1
7.5	C3/C1 ²⁶⁾	C3/C1 ²⁶⁾
11	-	C3/C1 ²⁶⁾

²⁶⁾ C1, if equipped with an external Grundfos EMC filter.

Immunity: The motor fulfils the requirements for industrial areas.

Contact Grundfos for further information.

Enclosure class

Standard: IP55 (IEC 34-5).

Optional: IP66 (IEC 34-5).

Insulation class

F (IEC 85).

Ambient temperature

During operation: -20 to 50 °C.

During storage and transportation: -30 to 60 °C.

Standby power consumption

5-10 W.

Cable entries

TPE Series 1000

Motor [kW]	Number and size of cable entries	
	1400-2000 1450-2200 min ⁻¹	2900-4000 min ⁻¹
1.5	4 x M20	4 x M20
2.2	1 x M25 + 4 x M20	4 x M20
3.0 - 4.0	1 x M25 + 4 x M20	1 x M25 + 4 x M20
5.5	1 x M32 + 5 x M20	1 x M25 + 4 x M20
7.5 - 11	1 x M32 + 5 x M20	1 x M32 + 5 x M20

TPE2, TPE2 D, TPE3, TPE3 D

Number and size of cable entries: 4 x M20.

Sound pressure level

TPE Series 1000

Motor [kW]	Maximum speed stated on nameplate [min ⁻¹]	Speed [min ⁻¹]	Sound pressure level
			ISO 3743 [dB(A)]
			3-phase motors
1.5	4000	1500	42
		2000	47
		3000	57
2.2	4000	4000	64
		2000	48
		1500	48
3	4000	2000	55
		3000	57
		4000	64
4	4000	1500	48
		2000	55
		3000	61
5.5	4000	4000	69
		1500	58
		2000	61
7.5	4000	3000	61
		4000	69
		1500	58
11	4000	2000	61
		3000	66
		4000	73

Motors for TPE2, TPE2 D, TPE3, TPE3 D pumps and 2.2 - 11 kW 2-pole motors and 1.5 - 7.5 kW 4-pole motors fitted on TPE Series 1000 pumps

TPE2, TPE2 D, TPE3, TPE3 D

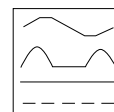
Pump size	Sound pressure level
	ISO 3743 [dB(A)]
TPE2/TPE3 32-80	55
TPE2/TPE3 32-120	60
TPE2/TPE3 32-150	65
TPE2/TPE3 32-180	66
TPE2/TPE3 32-200	66
TPE2/TPE3 40-80	52
TPE2/TPE3 40-120	59
TPE2/TPE3 40-150	60
TPE2/TPE3 40-180	63
TPE2/TPE3 40-200	65
TPE2/TPE3 40-240	66
TPE2/TPE3 50-60	48
TPE2/TPE3 50-80	56
TPE2/TPE3 50-120	60
TPE2/TPE3 50-150	60
TPE2/TPE3 50-180	63
TPE2/TPE3 50-200	64
TPE2/TPE3 50-240	66
TPE2/TPE3 65-60	44
TPE2/TPE3 65-80	51
TPE2/TPE3 65-120	59
TPE2/TPE3 65-150	62
TPE2/TPE3 65-180	62
TPE2/TPE3 65-200	62
TPE2/TPE3 80-40	43
TPE2/TPE3 80-120	53
TPE2/TPE3 80-150	62
TPE2/TPE3 80-180	64
TPE2/TPE3 100-40	43
TPE2/TPE3 100-120	53
TPE2/TPE3 100-150	62
TPE2/TPE3 100-180	64

Motor protection

The motor requires no external motor protection. The motor incorporates thermal protection against slow overloading and blocking.

Additional protection

The residual-current circuit breaker must be marked with the following symbol:



The total leakage current of all the electrical equipment in the installation must be taken into account. You find the leakage current of the motor in sections Leakage current and Leakage current, AC.

This product can cause a direct current in the protective-earth conductor.

Overvoltage and undervoltage protection

Overvoltage and undervoltage may occur in case of unstable power supply or a faulty installation. The motor is stopped if the voltage falls outside the permissible voltage range. The motor restarts automatically when the voltage is again within the permissible voltage range. Therefore, no additional protection relay is required.

Note: The motor is protected against transients from the power supply according to EN 61800-3. In areas with high lightning intensity, we recommend external lightning protection.

Overload protection

If the upper load limit is exceeded, the motor automatically compensates for this by reducing the speed and stops if the overload condition persists.

The motor remains stopped for a set period. After this period, the motor automatically attempts to restart. The overload protection prevents damage to the motor. Consequently, no additional motor protection is required.

Overtemperature protection

The electronic unit has a built-in temperature sensor as an additional protection. When the temperature rises above a certain level, the motor automatically compensates for this by reducing the speed and stops if the temperature keeps rising. The motor remains stopped for a set period. After this period, the motor automatically attempts to restart.

Protection against phase unbalance

Three-phase motors must be connected to a power supply with a quality corresponding to IEC 60146-1-1, class C, to ensure correct motor operation at phase unbalance. This also ensures long life of the components.

Related information

[Recommended fuse size](#)

Maximum number of starts and stops

The number of starts and stops via the power supply must not exceed four times per hour.

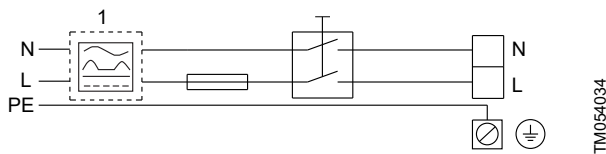
When switched on via the power supply, the pump starts after approximately 5 seconds.

If you want a higher number of starts and stops, use the input for external start-stop when starting or stopping the pump.

When you start a pump via an external on/off switch, the pump starts immediately.

Wiring diagrams

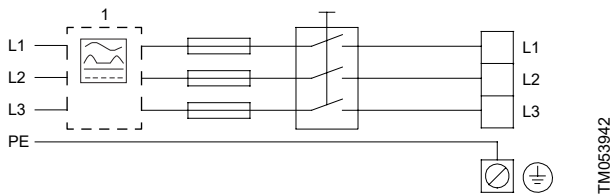
Single-phase supply:



Example of a mains-connected motor with main switch, backup fuse and additional protection

Pos.	Description
1	RCD, type B

Three-phase supply:



Example of a mains-connected motor with main switch, backup fuse and additional protection

Pos.	Description
1	RCD, type B

Connection terminals

The descriptions and terminal overviews in this section apply to both single-phase and three-phase motors.

Connection terminals, advanced functional module, FM 300

The advanced module has these connections:

- three analog inputs
- one analog output
- two dedicated digital inputs
- two configurable digital inputs or open-collector outputs
- Input and output for Grundfos Digital Sensor
Not applicable for TPE Series 1000 and TPE2, TPE2 D pumps. The factory-fitted differential-pressure sensor for TPE3, TPE3 D pumps is connected to this input.
- two Pt100/1000 inputs
- two LiqTec sensor inputs
- two signal relay outputs
- GENIbus connection.

See figure Connection terminals, FM 300.

Note: Digital input 1 is factory-set to be start-stop input where open circuit results in stop.

A jumper has been factory-fitted between terminals 2 and 6. Remove the jumper if digital input 1 is to be used as external start-stop or any other external function.

Motors for TPE2, TPE2 D, TPE3, TPE3 D pumps and 2.2 - 11 kW 2-pole motors and 1.5 - 7.5 kW 4-pole motors fitted on TPE Series 1000 pumps

• **Inputs and outputs**

All inputs and outputs are internally separated from the mains-conducting parts by reinforced insulation and galvanically separated from other circuits. All control terminals are supplied by protective extra-low voltage, PELV, thus ensuring protection against electric shock.

• **Signal relay outputs**

- Signal relay 1:

LIVE:

You can connect supply voltages up to 250 VAC.

PELV:

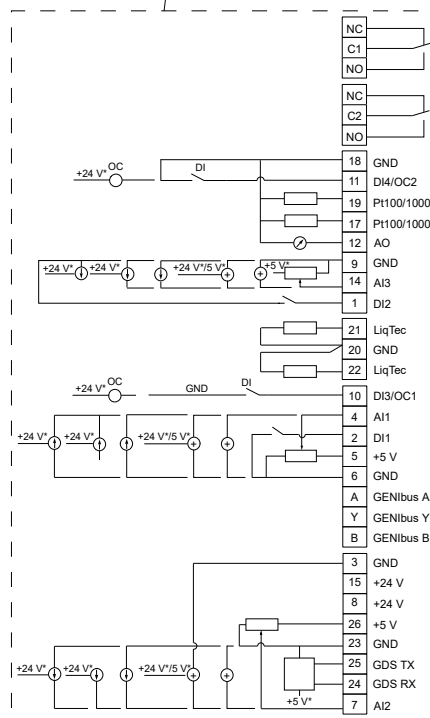
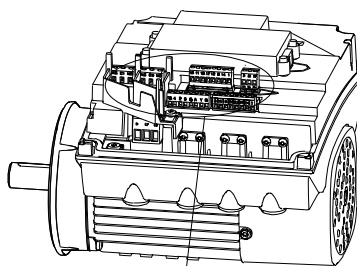
The output is galvanically separated from other circuits. Therefore, you can connect the supply voltage or protective extra-low voltage to the output as desired.

- Signal relay 2:

PELV:

The output is galvanically separated from other circuits. Therefore, you can connect the supply voltage or protective extra-low voltage to the output as desired.

• **Mains supply**, terminals N, PE, L or L1, L2, L3, PE.



* If an external supply source is used, there must be a connection to GND.

Connection terminals, FM 300, option

TM053509

Terminal	Type	Function
NC	Normally closed contact	Signal relay 1 LIVE or PELV
C1	Common	
NO	Normally open contact	
NC	Normally closed contact	Signal relay 2 PELV only
C2	Common	
NO	Normally open contact	
18	GND	Earth
11	DI4/OC2	Digital input/output, configurable. Open collector: Maximum 24 V resistive or inductive.
19	Pt100/1000 input 2	Pt100/1000 sensor input
17	Pt100/1000 input 1	Pt100/1000 sensor input
12	AO	Analog output: 0-20 mA / 4-20 mA 0-10 V
9	GND	Earth
14	AI3	Analog input: 0-20 mA / 4-20 mA 0-10 V
1	DI2	Digital input, configurable
21	LiqTec sensor input 1	LiqTec sensor input White conductor
20	GND	Earth Brown and black conductors
22	LiqTec sensor input 2	LiqTec sensor input Blue conductor
10	DI3/OC1	Digital input/output, configurable. Open collector: Max. 24 V resistive or inductive.
4	AI1	Analog input: 0-20 mA / 4-20 mA 0.5 - 3.5 V / 0-5 V / 0-10 V
2	DI1	Digital input, configurable
5	+5 V	Supply to potentiometer and sensor
6	GND	Earth
A	GENIbus, A	GENIbus, A (+)
Y	GENIbus, Y	GENIbus, GND
B	GENIbus, B	GENIbus, B (-)
3	GND	Earth
15	+24 V	Supply
8	+24 V	Supply
26	+5 V	Supply to potentiometer and sensor
23	GND	Earth
25	GDS TX	Grundfos Digital Sensor output
24	GDS RX	Grundfos Digital Sensor input
7	AI2	Analog input: 0-20 mA / 4-20 mA 0.5 - 3.5 V / 0-5 V / 0-10 V

21. MGE motors, 11 to 18.5 kW, 4-pole, and 15 to 22 kW, 2-pole

Grundfos MGE 100, MGE 112, MGE 132, MGE 160 and MGE 180 motors offer these features:

- Three-phase mains connection.
- Three-phase, asynchronous squirrel-cage induction motors designed to current IEC, DIN and VDE guidelines and standards. The motors incorporate a frequency converter and PI controller.
- Used for continuously variable speed control of Grundfos E-pumps available in power sizes 11 to 18.5 kW, 4-pole, and 15 to 22 kW, 2-pole.

Supply voltage

- 3 × 380-500 V -10 % / +10 %, 50/60 Hz, PE
- 3 × 380-480 V -10 % / +10 %, 50/60 Hz, PE
- 3 × 200-240 V -10 % / +10 %, 50/60 Hz, PE

Check that the supply voltage and frequency correspond to the values stated on the nameplate.

Recommended size of fuse

You can use standard as well as quick-blow or slow-blow fuses.

3 × 380-480 V

Motor size [kW]	Recommended [A]	Maximum [A]	Fuse type
11	35	80	gG
15	50	80	gG
18.5	60	80	gG
22	70	80	gG

Leakage current (AC)

The leakage currents are measured without any load on the shaft and in accordance with EN 61800-5-1:2007.

3 × 380-480 V, 50/60 Hz

Speed [rpm]	Power [kW]	Mains voltage [V]	Leakage current (I _L) [mA]
1450-2200	11-22	≤ 400	3.5 < I _L < 20
		> 400	3.5 < I _L < 30
2900-4000	15-22	≤ 400	3.5 < I _L < 20
		> 400	3.5 < I _L < 30

Inputs and outputs

Signal reference

All voltages refer to signal ground (GND). All currents return to signal ground.

Absolute maximum voltage and current limits

Exceeding the following electrical limits may result in severely reduced operating reliability and motor life.

Relay 1:

- Maximum contact load: 250 VAC, 2 A or 30 VDC, 2 A.

Relay 2:

- Maximum contact load: 30 VDC, 2 A.

GENI terminals: -5.5 to +9.0 VDC or less than 25 mADC.

Other input and output terminals: -0.5 to +26 VDC or less than 15 mADC.

Digital inputs

Internal pull-up current greater than 10 mA at V_i equal to 0 VDC.

Internal pull-up to 5 VDC. Currentless for V_i greater than 5 VDC.

Input activated level: V_i less than 1.5 VDC.

Input deactivated level: V_i from 3.0 VDC to 24 VDC.

Hysteresis: No.

Screened cable: 0.5 - 1.5 mm² / 28-16 AWG.

Maximum cable length: 500 m.

Maximum cable length: 1640 ft (500 m).

Safe Torque Off (STO) terminals

S24:

24 V output voltage. Only for use with ST1 and ST2 inputs.

- Output voltage: 24 V -5 % to +5 %
- Maximum current: 50 mADC
- Overload protection: Yes.

ST1 and ST2:

- STO activated: V_{in} lower than 1.25 V
- STO deactivated: V_{in} greater than 21.6 V and lower than 25 V
- Input current greater than 10 mA at V_{in} equal to 24 V.

When the internal voltage source (connection S24) is used, the input voltage for ST1 and ST2 is within accepted limits.

When an external voltage source is used to drive the STO inputs, the following conditions must be met:

In operational state, the input voltage of ST1 and ST2 with reference to GND must be within:

- V_{min} : 21.6 V
- V_{max} : 25.0 V.

In the safe state, the input voltage of ST1 and ST2 with reference to GND must be as follows:

- V_{max} : 1.25 V.

In the operating state, the current flow into ST1 and ST2 must be within:

- Minimum contact current: 10 mA

- Maximum contact current: 25 mA.

Input source rating: SELV

Bus input (Ethernet)

Protocols TC/IP GENI, GDP.

Cable type, Standard CAT5, CAT5e or CAT6.

Open-collector digital outputs (OC)

Current-sinking capability: 75 mADC, no current sourcing.

Load types: Resistive and/or inductive.

Low-state output voltage at 75 mADC: Maximum 1.2 VDC.

Low-state output voltage at 10 mADC: Maximum 0.6 VDC.

Overcurrent protection: Yes.

Screened cable: 0.5 - 1.5 mm² / 28-16 AWG.

Maximum cable length: 500 m.

Maximum cable length: 1640 ft (500 m).

Analog inputs (AI)

Voltage signal ranges:

- 0.5 - 3.5 VDC, AL AU
- 0-5 VDC, AU
- 0-10 VDC, AU.

Voltage signal:

- R_i greater than 100 k Ω at 25 °C.
- R_i greater than 100 k Ω at 77 °F (25 °C).

Leak currents may occur at high operating temperatures. Keep the source impedance low.

Current signal ranges:

- 0-20 mADC, AU
- 4-20 mADC, AL AU.

Current signal: R_i is equal to 292 Ω .

Current overload protection: Yes. Change to voltage signal.

Measurement tolerance: +/- 2 % of full scale.

Screened cable: 0.5 - 1.5 mm² / 28-16 AWG.

Maximum cable length: 500 m, excluding potentiometer.

Maximum cable length: 1640 ft (500 m), excluding potentiometer.

Potentiometer connected to +5 V, GND, any AI: Use maximum 10 k Ω .

Maximum cable length: 100 m.

Maximum cable length: 328 ft (100 m).

Analog output (AO)

Current sourcing capability only.

Voltage signal:

- Range: 0-10 VDC
- Minimum load between AO and GND: 1 k Ω
- Short-circuit protection: Yes.

Current signal:

- Ranges: 0-20 and 4-20 mADC
- Maximum load between AO and GND: 500 Ω
- Open-circuit protection: Yes.

Tolerance: +/- 4 % of full scale.

Screened cable: 0.5 - 1.5 mm² / 28-16 AWG.

Maximum cable length: 500 m.

Maximum cable length: 1640 ft (500 m).

Pt100 or Pt1000 inputs (Pt)

Temperature range:

- Minimum -50 °C (80 Ω/803 Ω). Minimum -58 °F (-50 °C) (80 Ω/803 Ω).
- Maximum 204 °C (177 Ω/1773 Ω). Maximum 399 °F (204 °C) (177 Ω/1773 Ω).

Measurement tolerance: +/- 1.5 °C.

Measurement tolerance: +/- 2.7 °F (1.5 °C).

Measurement resolution: less than 0.3 °C.

Measurement resolution: less than 0.54 °F (0.3 °C).

Automatic range detection (Pt100 or Pt1000): Yes.

Sensor fault alarm: Yes.

Screened cable: 0.5 - 1.5 mm² / 28-16 AWG.

Use Pt100 for short wires.

Use Pt1000 for long wires.

LiqTec sensor inputs

Use a Grundfos LiqTec sensor only.

Screened cable: 0.5 - 1.5 mm² / 28-16 AWG.

Grundfos Digital Sensor input and output (GDS)

Use Grundfos Digital Sensor only.

Power supplies, +5 V, +24 V

+5 V

- Output voltage: 5 VDC -5 % to +5 %
- Maximum current: 60 mADC, sourcing only
- Overload protection: Yes.

+24 V

- Output voltage: 24 VDC -5 % to +5 %
- Maximum current: 200 mADC, sourcing only
- Overload protection: Yes.

Digital outputs, relays

Potential-free changeover contacts.

Minimum contact load when in use: 5 VDC, 10 mA.

Screened cable: 0.5 - 2.5 mm² / 28-12 AWG.

Maximum cable length: 500 m.

Maximum cable length: 1640 ft (500 m).

Bus input

Grundfos GENIbus protocol, RS-485.

Grundfos Modbus protocol, RS-485.

Screened 3-core cable: 0.5 - 1.5 mm² / 28-16 AWG.

Maximum cable length: 500 m.

Maximum cable length: 1640 ft (500 m).

Other technical data

Ecodesign Directive

This product is out of scope of Directive 2009/125/EC and Commission Regulation (EU) 2019/1781 due to Article 2 (3a), as the variable speed drive (VSD) is integrated into a product and its energy performance cannot be tested independently from the product.

EMC (electromagnetic compatibility)

Standard used: EN 61800-3.

The table below shows the emission category of the motor.

C1 fulfils the requirements for residential areas.



This equipment complies with IEC 61000-3-12 provided that the short-circuit power S_{sc} is greater than or equal to the respective value described in the table below at the interface point between the user's supply and the public system. It is the responsibility of the installer or user of the equipment to ensure, by consultation with the distribution network operator if necessary, that the equipment is connected only to a supply with a short-circuit power S_{sc} greater than or equal to the respective value described in the table below.

3 × 380-480 V, 50/60 Hz

Speed [rpm]	Power P2 [kW]	Supply voltage [V]	Short-circuit power [mVA]
1450-2200	11	3 × 380-480	3.5
	15	3 × 380-480	4.6
	18.5	3 × 380-480	5.6
	22	3 × 380-480	6.6
2900-4000	15	3 × 380-480	4.6
	18.5	3 × 380-480	5.8
	22	3 × 380-480	6.6

C2 fulfils the requirements for residential areas if the system is operated and installed by qualified persons.



In a residential environment, this product may cause radio interference in which case supplementary mitigation measures may be required.

Motor [kW]	Emission category	
	1450-2200 rpm	2900-4000 rpm
11	C2	-
15	C2	C2
18.5	C2	C2
22	C2	C2

Immunity: The motor fulfils the requirements for industrial areas.

Contact Grundfos for further information.

Enclosure class

Standard: IP55.

Optional: IP66.

Insulation class

311 °F (155 °C).

Standby power consumption

5-10 W.

Cable entry sizes

Number and size of cable entries

Motor [kW]	1450-2200 rpm	2900-4000 rpm	4000-5900 rpm
11	1 × M40 + 6 × M20	-	-
15 - 22	1 × M40 + 6 × M20	1 × M40 + 6 × M20	1 × M40 + 6 × M20

Torques

Torques for terminals

Terminal	Recommended torque [Nm]
L1, L2, L3	2.2
PE	6
NC, C1, C2, NO	0.5
DI1, DI2, DI3, DI4, AI1, AI2, AI3, AO1, PT1, PT2, LT1, LT2, GND, 24V, 5V, TX, RX, A, Y, B, S24, ST1, ST2	0.5

Terminal	Recommended torque [ft-lb]
L1, L2, L3	1.6
PE	4.4
NC, C1, C2, NO	0.4
DI1, DI2, DI3, DI4, AI1, AI2, AI3, AO1, PT1, PT2, LT1, LT2, GND, 24V, 5V, TX, RX, A, Y, B, S24, ST1, ST2	0.4

Torques for other parts

Part designation	Recommended torque [Nm]
Control box, upper part	6.5 - 7
Cover for mains	1.0 - 1.3
Cable glands: M20/M40	1 - 1.5

Part designation	Recommended torque [ft-lb]
Control box, upper part	4.8 - 5.2
Cover for power supply	0.7 - 1

Electrical supply systems

Power supply network and earthing systems



If you want to supply the product through an IT network, make sure that you have a suitable product variant. If you are in doubt, contact Grundfos.

The internal EMC filter remains connected, and subsequently no reduced leakage current variant is available.

Supply line types

System voltage: 300 V.

- TN-S earthing system
- TN-C earthing system
- TN-C-S earthing system
- TT earthing system

Protection against mains voltage transients

The product is protected against mains voltage transients in accordance with EN 61800-3.

Motor protection

The product incorporates thermal protection against slow overloading and blocking. No external motor protection is required.

The product includes load and speed sensitive motor overload protection with thermal memory retention.

Connecting an external switch

We recommend that you connect the product to an external switch.

1. Connect the switch via terminals 2 (DI1) and 6 (GND). A jumper is added from factory.
2. Enable the **External stop** function. Default setting from factory.

Cable requirements

Cable cross-section



Recommended cable type: H07RN-F.

Cable cross-section data for MGE motors

3 × 380-480 V, 50/60 Hz

Speed [rpm]	Power P2 [kW]	Supply voltage [V]	Nominal current [A]	Cable cross-section [mm ²]
1450-2200	11	3 × 380-480	20.2 - 16.4	6
	15	3 × 380-480	26.7 - 21.8	6
	18.5	3 × 380-480	33.2 - 26.9	10
	22	3 × 380-480	39.2 - 31.5	10
2900-4000	15	3 × 380-480	26.7 - 22	6
	18.5	3 × 380-480	33 - 27.8	10
	22	3 × 380-480	39.2 - 31.7	10

Conductors

Conductor types

Use stranded copper conductors only.

Conductor temperature ratings

Use 75 °C copper conductors only.

Conduit hubs

Conduit hubs must be UL listed according to UL Category Code Number (CCN) DWTT/DWTT7 and be suitable for the relevant enclosure type rating in accordance with UL 514B and CSA C22.2 No. 18.3.

For type 2 enclosures it is also allowed to use type 2, 3, 3R, 3S, 4, 4X, 5, 6, 6P, 12 and 13 conduit hubs.

For type 12 enclosures it is also allowed to use type 12 and 13 conduit hubs.

The relevant type rating can be found on the nameplate of the product.

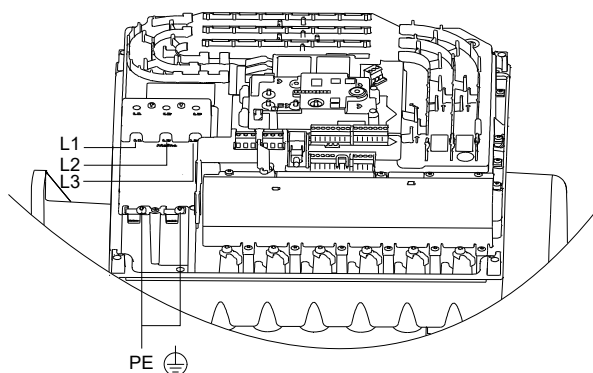
Three-phase connections

The cables in the terminal box must be as short as possible. However, the separated protective-earth conductor must be so long that it is the last one to be disconnected in case the cable is inadvertently pulled out of the cable entry.

To avoid loose connections, ring terminals must be used. Ensure that ring terminals are short enough to stay within the terminal cover.

Check that the supply voltage and frequency correspond to the values stated on the nameplate.

Mains connection on a three-phase product



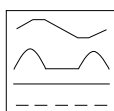
TM082860

Pos.	Description
L1	Phase 1
L2	Phase 2
L3	Phase 3
PE	Protective earth

Additional protection

Residual-current circuit breakers

The residual-current circuit breaker must be marked.



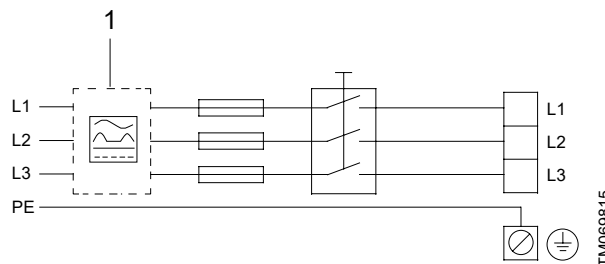
TM066230

Take into account the total leakage current of all the electrical equipment in the installation.

This product may cause a direct current in the protective-earth conductor.

Connection example for three-phase supply

The figure shows an example of a mains-connected three-phase motor with a main switch, a backup fuse and a residual-current circuit breaker, type B.



TM069815

Pos.	Description
1	Residual-current circuit breaker, type B
L1	Phase 1
L2	Phase 2
L3	Phase 3
PE	Protective earth

Overvoltage and undervoltage protection

Overvoltage and undervoltage may occur in case of unstable power supply or a faulty installation. The product stops if the voltage falls outside the permissible voltage range. The product restarts automatically when the voltage is within the permissible voltage range. The product requires no additional protection relay.



The product is protected against transients from the power supply according to EN 61800-3. In areas with high lightning intensity, we recommend external lightning protection.

Overvoltage category:

The product is approved for Overvoltage category III rating.

Overload protection

The motor-current protection settings are fixed for each motor variants. The settings ensure that the motor is protected against overtemperature in all operating states with regard to supply voltage and shaft load, including a blocked shaft.

The motors are current controlled and will respond by reducing the speed if the shaft load increases more than 10 % of the nominal load.

If the shaft load forces the speed down to minimum speed, the motor shuts down.

A sudden increase in the motor current caused by a fault where the peak of the motor current is increased 60 % above nominal will cause the motor to shut down within 0.5 ms.

The product requires no additional protection.

Overtemperature protection

The motor is thermally protected by a temperature measurement in the drive. It can handle the lack of airflow over the motor in case the fan cover is blocked. It also means that the protection has a built-in memory retention. The time from start to shutdown due to overtemperature is therefore always longer when starting at a motor temperature close to the ambient temperature compared with restarting after a shutdown due to overtemperature.

Protection against phase unbalance

Phase unbalance on the power supply must be minimised. The three-phase motor must be connected to a power supply with a quality corresponding to IEC 60146-1-1, class C. This also ensures long life of the components.

Short-circuit current

The product's electronic power output short-circuit protection circuitry meets the requirements of IEC 60364-4-41:2005/AMD1:–, Clause 411.

Suitable for use on a circuit capable of delivering not more than 5000 rms symmetrical amperes, 480 V maximum when protected by J or T Class fuses, rated 80 A, 600 V.

Functional modules

The functional modules are different types of add-on boards containing various types of input and output terminals for the user to connect different types of sensors, for example switches and relays.

The product can only contain one functional module at the time.

The following functional modules are available:

- FM310 (standard)
- FM311 (option)²⁷⁾

²⁷⁾ Without Bluetooth (BLE).

The selection of module depends on the application and the required number of inputs and outputs.

Functional module, FM310 and FM311 from 15 kW 2-pole and 11 kW 4-pole

Inputs and outputs



The FM311 functional module does not include Bluetooth connection.

The module has these connections:

- three analog inputs
- one analog output
- two dedicated digital inputs
- two configurable digital inputs or open-collector outputs
- Input and output for Grundfos Digital Sensor Not applicable for TPE, TPED pumps. The factory-fitted differential-pressure sensor for TPE, TPED Series 2000 is connected to this input.
- Grundfos Digital Sensor input and output
- two Pt100/1000 inputs
- two LiqTec sensor inputs
- two signal relay outputs
- GENibus/Modbus connection
- two Safe Torque Off (STO) inputs
- Ethernet connection
- Bluetooth (BLE) connection.²⁸⁾

²⁸⁾ FM311 is without Bluetooth.

Signal relay 1

LIVE: You can connect supply voltages up to 250 VAC to the output.

SELV: The output is galvanically separated from other circuits. Therefore, you can connect the supply voltage or safety extra-low voltage to the output as desired.

Signal relay 2

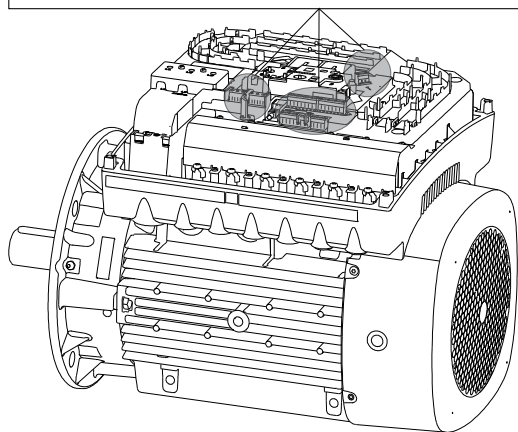
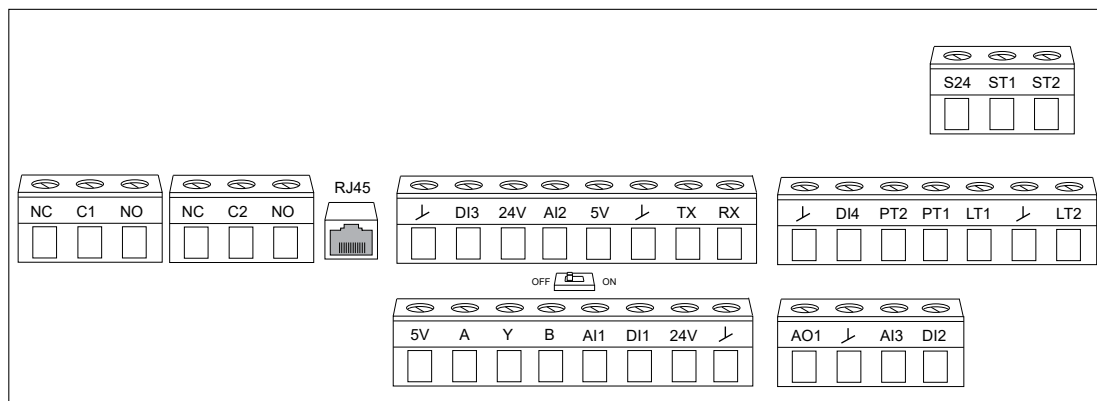
SELV: The output is galvanically separated from other circuits. Therefore, you can connect the supply voltage or safety extra-low voltage to the output as desired.

Connection terminals for inputs and outputs

The inputs and outputs are internally separated from the mains-conducting parts by reinforced insulation and galvanically separated from other circuits. All control terminals are supplied with safety extra-low voltage (SELV), ensuring protection against electric shock.


Cables for the relays and the Ethernet cable must be rated at least 250 V/2 A.

The relays are approved for overvoltage category II, whether power is supplied from a transformer or the power supply.

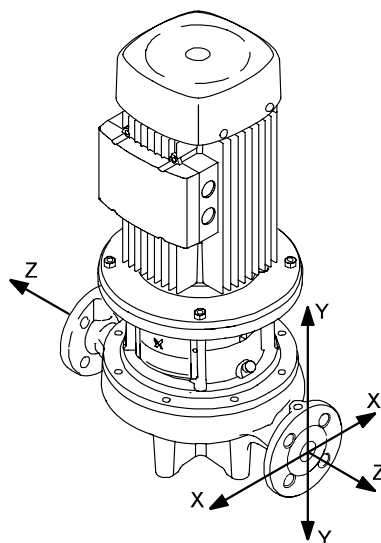


TM032862

Terminal	Type	Function
NC	Normally closed contact	
C1	Common	Signal relay 1: LIVE or SELV
NO	Normally open contact	
NC	Normally closed contact	
C2	Common	Signal relay 2: SELV only
NO	Normally open contact	
RJ45	Ethernet	Ethernet communication
GND	GND	Signal ground
DI3	DI3/OC1	Digital input/output, configurable Open collector: Maximum 24 V resistive or inductive
24V	+24 V	Power supply
AI2	AI2	Analog input: • 0-20 mA or 4-20 mA • 0.5 - 3.5 V, 0-5 V or 0-10 V.
5V	+5 V	Power supply to a potentiometer or sensor
GND	GND	Signal ground
TX	GDS TX	Grundfos Digital Sensor output
RX	GDS RX	Grundfos Digital Sensor input
GND	GND	Signal ground
DI4	DI4/OC2	Digital input/output, configurable Open collector: Maximum 24 V resistive or inductive
PT2	Pt100/1000 input 2	Pt100/1000 sensor input 2

Terminal	Type	Function
PT1	Pt100/1000 input 1	Pt100/1000 sensor input 1
LT1	LiqTec sensor input 1	LiqTec sensor input 1 White conductor
GND	GND	Signal ground Brown and black conductors
LT2	LiqTec sensor input 2	LiqTec sensor input 2 Blue conductor
5V	+5 V	Power supply to a potentiometer or sensor
A	GENIbus, A	GENIbus, A (+) / Modbus, D1 (+)
Y	GENIbus, Y	GENIbus, GND / Modbus, GND
B	GENIbus, B	GENIbus, B (-) / Modbus, D0 (-)
AI1	AI1	Analog input: • 0-20 mA or 4-20 mA • 0.5 - 3.5 V, 0-5 V or 0-10 V.
DI1	DI1	Digital input, configurable  Digital input 1 is factory-set to be start or stop input where an open circuit results in stop. A jumper has been factory-fitted between terminals DI1 and GND. Remove the jumper if digital input 1 is to be used as external start or stop or any other external function.
24V	+24 V	Power supply
GND	GND	Signal ground
AO1	AO	Analog output: • 0-20 mA or 4-20 mA • 0-10 V.
GND	GND	Signal ground
AI3	AI3	Analog input: • 0-20 mA or 4-20 mA • 0.5 - 3.5 V, 0-5 V or 0-10 V.
DI2	DI2	Digital input, configurable
S24	+24 V (STO)	Power supply to the Safe Torque Off inputs
ST1	STO1	Safe Torque Off - Input 1
ST2	STO2	Safe Torque Off - Input 2

22. Flange forces



TM037801

Flange forces

PN 16

Diameter	Force [N]				Moment [Nm]			
	F _y	F _z	F _x ²⁹⁾	ΣF	M _y	M _z	M _x	ΣM ²⁹⁾
DN 25	405	322	352	627	395	487	594	875
DN 32	521	417	457	810	424	508	622	913
DN 40	625	500	550	975	450	525	650	950
DN 50	825	675	750	1300	500	575	700	1025
DN 65	1070	862	952	1672	540	610	750	1098
DN 80	1250	1025	1125	1969	575	650	800	1175
DN 100	1675	1350	1500	2625	625	725	875	1300
DN 125	2068	1671	1852	3239	657	805	955	1443
DN 150	2500	2025	2250	3925	875	1025	1250	1825
DN 200	3350	2700	3000	5225	1150	1325	1625	2400
DN 250	4175	3375	3725	6525	1575	1825	2225	3275
DN 300	7500	5000	7500	11725	5500	2500	5500	8170
DN 350	18000	12000	18000	21630	13000	6500	13000	19500

²⁹⁾ ΣF and ΣM are the vector sums of the forces and moments.

Values are based on EN ISO 5199:2002.

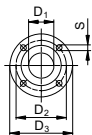
PN 25

Diameter	Force [N]				Moment [Nm]			
	F _y	F _z	F _x	ΣF ²⁹⁾	M _y	M _z	M _x	ΣM ²⁹⁾
DN 100	2700	3000	3350	5250	1250	1450	3000	2800
DN 125	8000	3500	8000	11842	3000	1900	3000	4649
DN 150	10000	5000	10000	15000	5000	3000	5000	7681
DN 200	13000	7000	13000	19672	10000	4500	10000	14841
DN 300	15000	10000	15000	23450	11000	5000	11000	16340
DN 350	18000	12000	18000	28140	13000	6500	13000	19500
DN 400	30000	43100	37500	64500	25300	9800	25300	37100
DN 500	30000	61400	37500	77950	36100	9800	36100	52000

23. Flanges for TP pumps

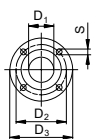
Flange dimensions

PN 6 and PN 10 flanges



	EN 1092-2 PN 6 (0.6 MPa)						EN 1092-2 PN 10 (1.0 MPa)									
	Nominal diameter (DN)						Nominal diameter (DN)									
	32	40	50	65	80	100	32	40	50	65	80	100	125	150	200	250
D₁	32	40	50	65	80	100	32	40	50	65	80	100	125	150	200	250
D₂	90	100	110	130	150	170	100	110	125	145	160	180	210	240	295	350
D₃	120	130	140	160	190	210	140	150	165	185	200	220	250	285	340	395
S	4 x 14	4 x 14	4 x 14	4 x 14	4 x 19	4 x 19	4 x 19	4 x 19	4 x 19	4 x 19	8 x 19	8 x 19	8 x 19	8 x 23	8 x 23	12 x 23

PN 16 and PN 25 flanges

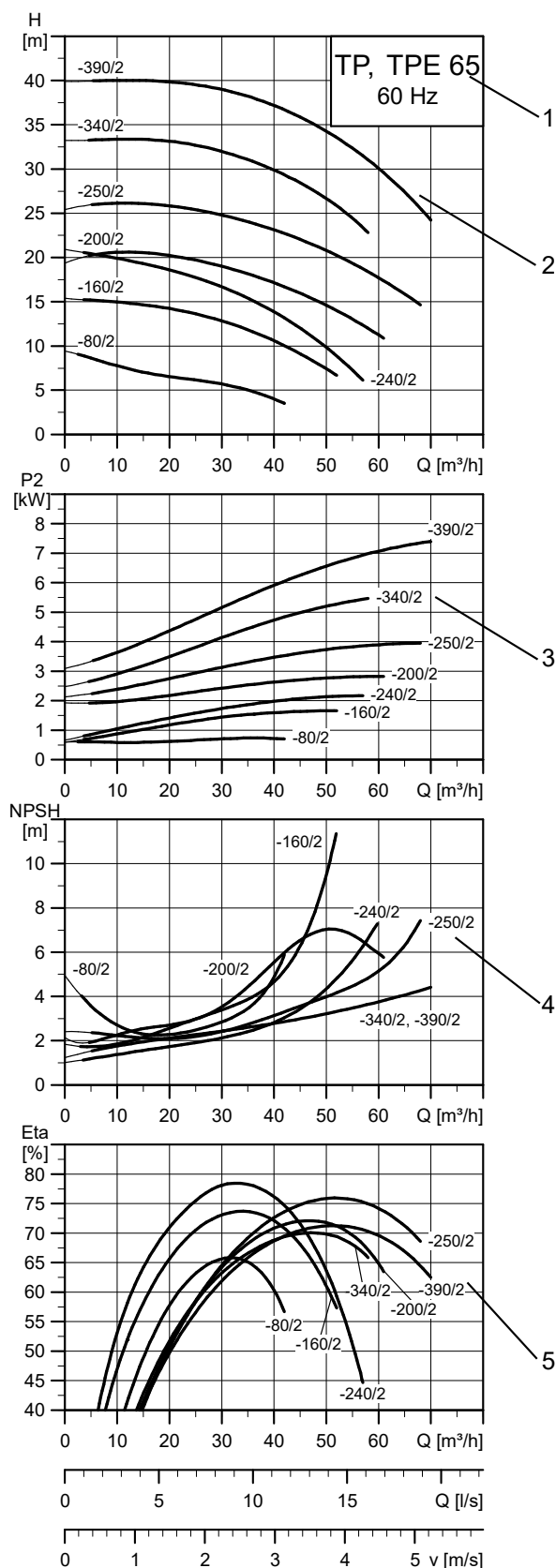


	EN 1092-2 PN 16 (1.6 MPa)							EN 1092-2 PN 25 (2.5 MPa)								
	Nominal diameter (DN)							Nominal diameter (DN)								
	32	40	50	65	80	100	125	150	200	100	125	150	200	250	300	350
D₁	32	40	50	65	80	100	125	150	200	100	125	150	200	250	300	350
D₂	100	110	125	145	160	180	210	240	295	190	220	250	310	370	430	490
D₃	140	150	165	185	200	220	250	285	340	235	270	300	360	425	485	555
S	4 x 19	4 x 19	4 x 19	4 x 19	8 x 19	8 x 19	8 x 19	8 x 23	12 x 23	8 x 23	8 x 28	8 x 28	12 x 28	12 x 31	16 x 31	16 x 34

24. Curve charts

How to read the curve charts

Pos.	Description
1	Pump type and frequency.
2	QH curve for the individual single-head pump. The bold curve indicates the recommended performance range.
3	The power curve indicates the pump input power [P2].
4	The NPSH (3 %) curve shows the maximum net positive suction head, NPSH, required to ensure that the pump head is not reduced by more than 3 %. The available system pressure at the pump inlet must be according to the NPSH (3 %) curve.
5	The eta curve shows the pump efficiency.



TM081420

Curve conditions

The guidelines below apply to the curves shown on the following pages:

- Tolerances to ISO 9906:2012 Grade 3B.
 - The curves apply to the performance of **single-head three-phase pumps**. For other pump versions, please see the exact curves in Grundfos Product Center. See section Grundfos Product Center. For other pump versions, the performance may differ for the following reasons:
 - The valve in twin-head pumps may cause losses.
- Note:** Grundfos does not recommend continuous parallel operation of twin-head pumps, except TPE2 D, TPE3 D, due to the increased flow rate in the pump. A too high flow rate results in noisy operation, increased wear of the impeller due to cavitation, etc.
- QH curves of the individual single-head pumps are shown with expected speed of a three-phase mains-operated motor. For further information, see the tables of technical data on the following pages.
 - Curves of TPE Series 1000 pumps are shown as maximum curves (100 % curves) only. Please refer to Grundfos Product Center for the exact curves. See section Grundfos Product Center.
 - Measurements have been made with airless water at a temperature of 20 °C.
 - The curves apply to a kinematic viscosity of ν equal to 1 mm²/s (1 cSt).
 - Due to the risk of overheating, the pump must not run constantly below the minimum flow rate indicated by the bold curves.
 - If the pumped liquid density and/or viscosity are higher than those of water, it may be necessary to use a motor with a higher performance.

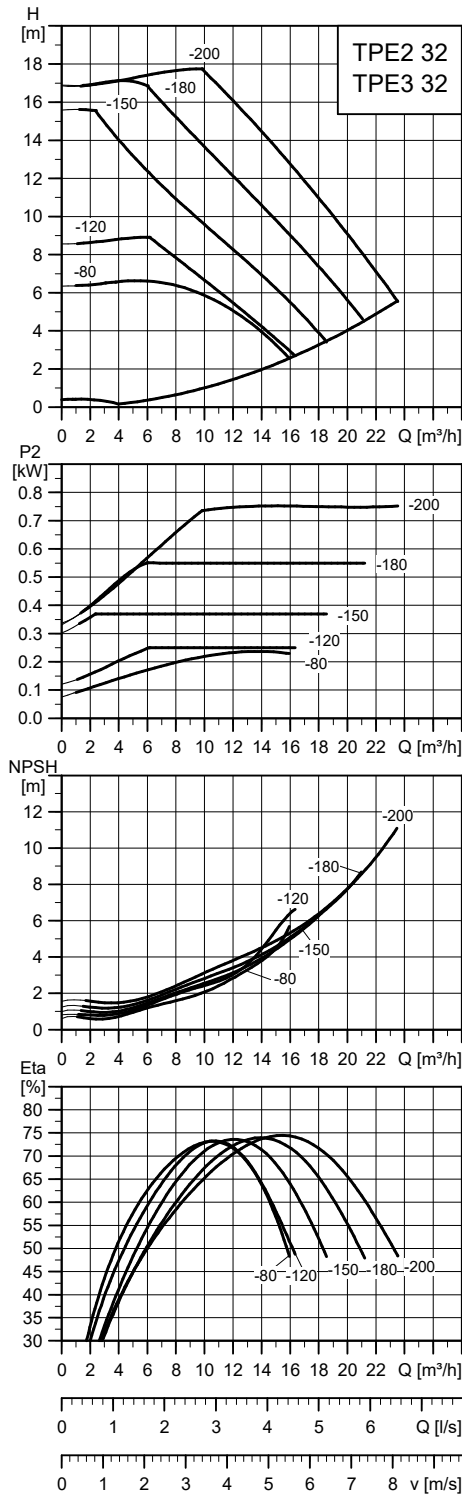
Related information

[30. Grundfos Product Center](#)

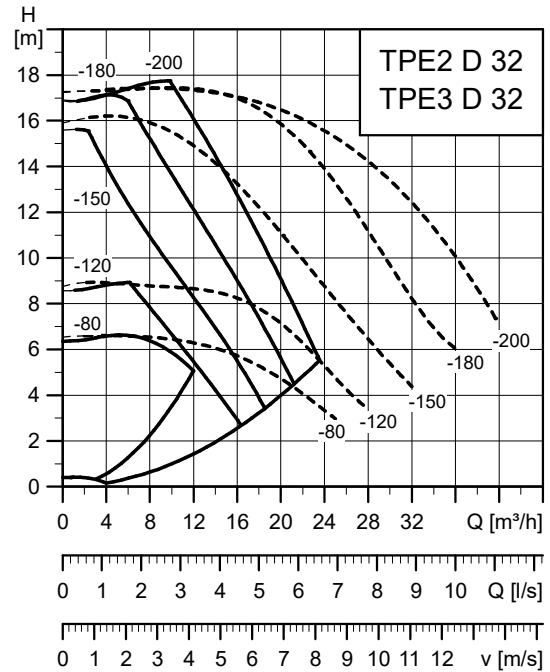
25. Performance curves and technical data

TPE2, TPE2 D, TPE3, TPE3 D, PN 6, 10, 16

TPE2, TPE2 D, TPE3, TPE3 D 32

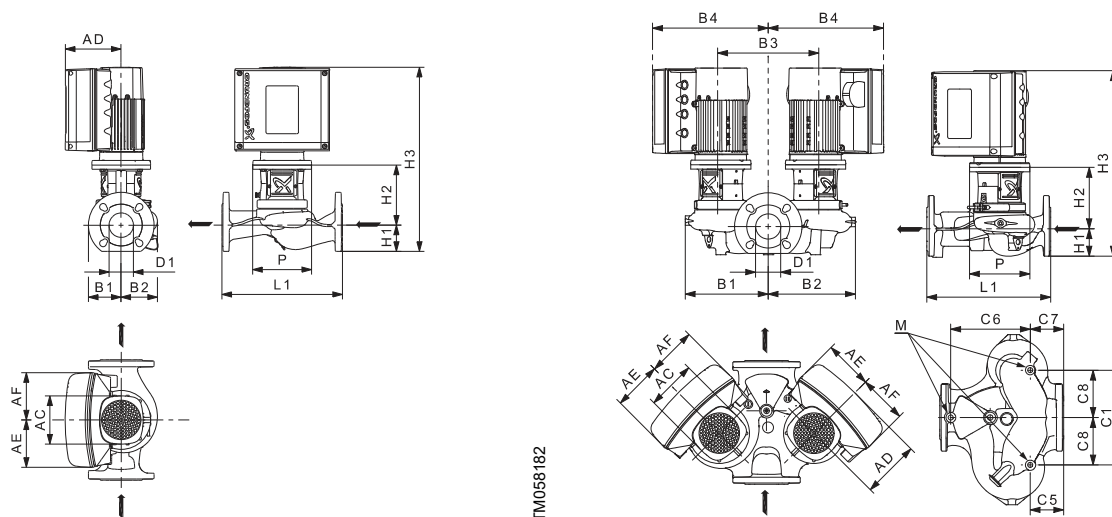


TM058171



TM058191

Note: The dotted Q, H curves apply to TPE2 D, TPE3 D in parallel operation.



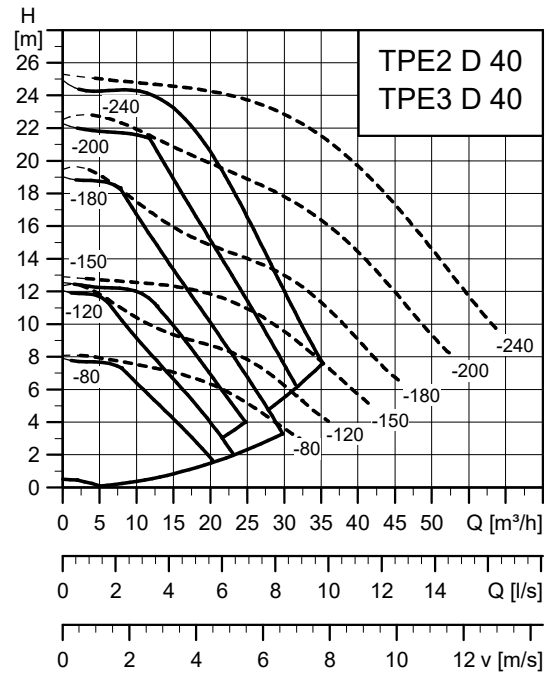
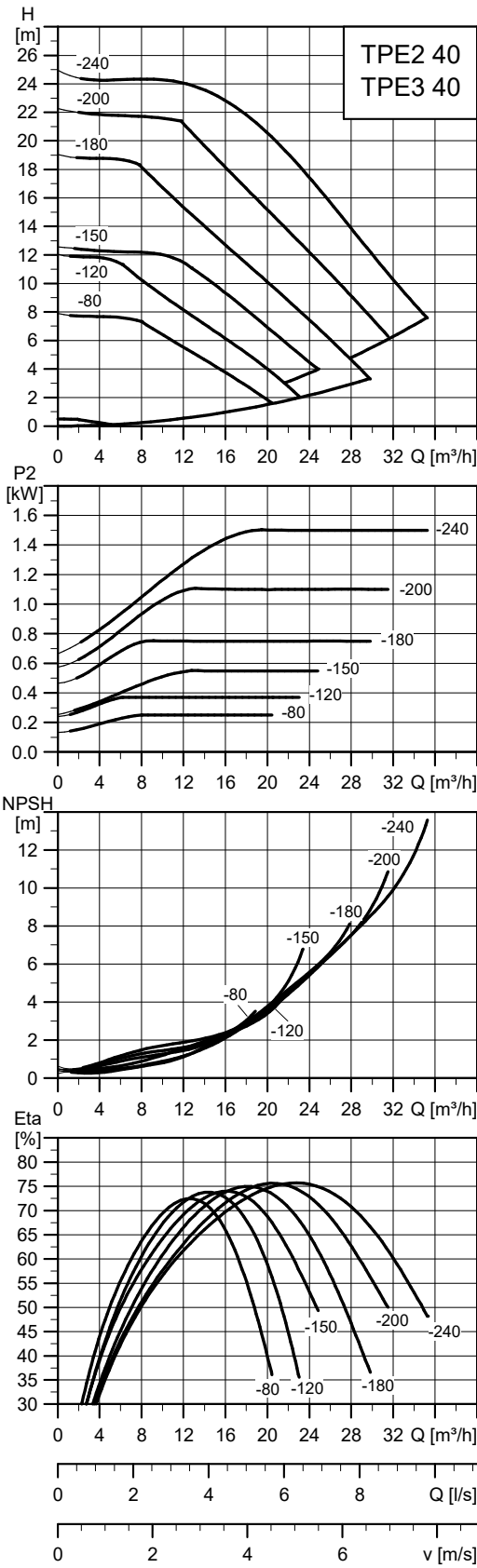
TM058182

TM058183

Technical data

TPE2, TPE3 32			-80	-120	-150	-180	-200
TPE2, TPE3			•	•	•	•	•
TPE2 D, TPE3 D			•	•	•	•	•
P2	1~3~	kW	0.25	0.25	0.37	0.55	0.75
PN			PN 6/10/16	PN 6/10/16	PN 6/10/16	PN 6/10/16	PN 6/10/16
T _{min} , T _{max}		[°C]	[-25;120]	[-25;120]	[-25;120]	[-25;120]	[-25;120]
D1		[mm]	32	32	32	32	32
AC	1~3~	[mm]	122/122	122/122	122/122	122/122	122/122
AD	1~3~	[mm]	158/158	158/158	158/158	158/158	158/158
AE	1~3~	[mm]	106/134	106/134	106/134	106/134	106/134
AF	1~3~	[mm]	106/134	106/134	106/134	106/134	106/134
P		[mm]	165	165	165	165	165
B1	TPE2(3)/TPE2(3) D	[mm]	73/210	73/210	73/210	73/210	73/210
B2	TPE2(3)/TPE2(3) D	[mm]	73/209	73/209	73/209	73/209	73/209
B3		[mm]	260	260	260	260	260
B4	1~TPE2(3)/TPE2(3) D	[mm]	-/317	-/317	-/317	-/317	-/317
	3~ TPE2(3)/TPE2(E3) D	[mm]	-/337	-/337	-/337	-/337	-/337
C1	TPE2(3)/TPE2(3) D	[mm]	-/263	-/263	-/263	-/263	-/263
C5	TPE2(3)/TPE2(3) D	[mm]	-/50	-/50	-/50	-/50	-/50
C6	TPE2(3)/TPE2(3) D	[mm]	-/97	-/97	-/97	-/97	-/97
C7	TPE2(3)/TPE2(3) D	[mm]	-/90	-/90	-/90	-/90	-/90
C8	TPE2(3)/TPE2(3) D	[mm]	-/130	-/130	-/130	-/130	-/130
L1		[mm]	220	220	220	220	220
H1	TPE2(3)/TPE2(3) D	[mm]	65/68	65/68	65/68	65/68	65/68
H2		[mm]	159	159	159	159	159
H3	1~TPE2(3)/TPE2(3) D	[mm]	439/442	439/442	439/442	439/442	439/442
	3~TPE2(3)/TPE2(3) D	[mm]	479/482	479/482	479/482	479/482	479/482
M			M12	M12	M12	M12	M12

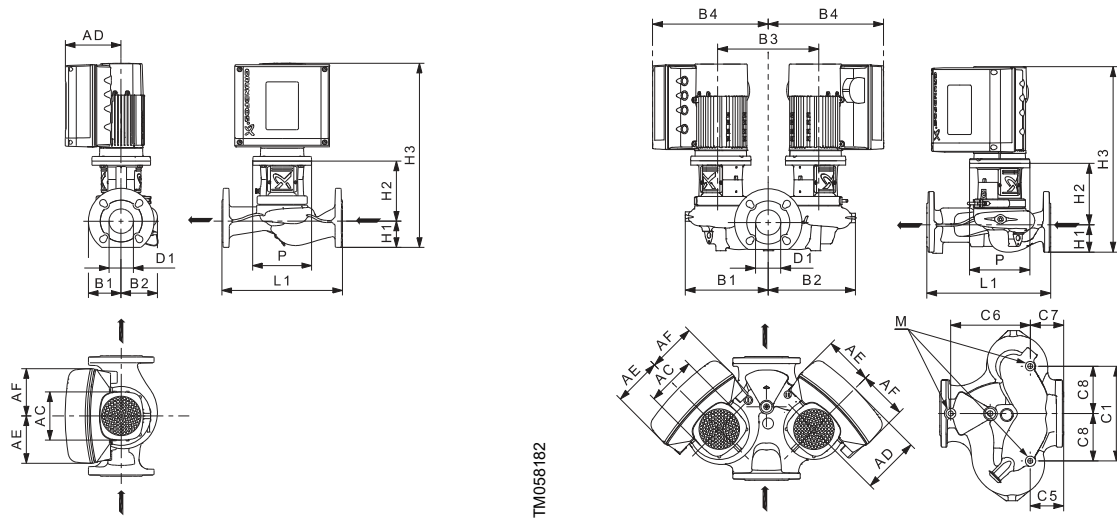
TPE2, TPE2 D, TPE3, TPE3 D 40



TM058192

TM058172

Note: The dotted Q, H curves apply to TPE2 D, TPE3 D in parallel operation.



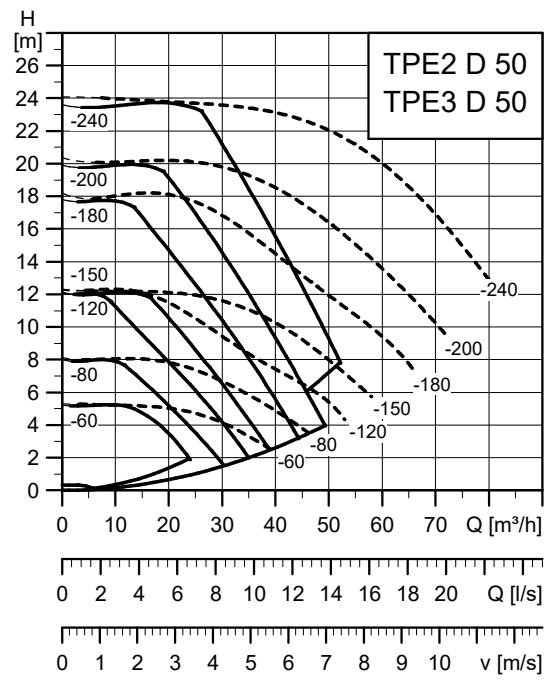
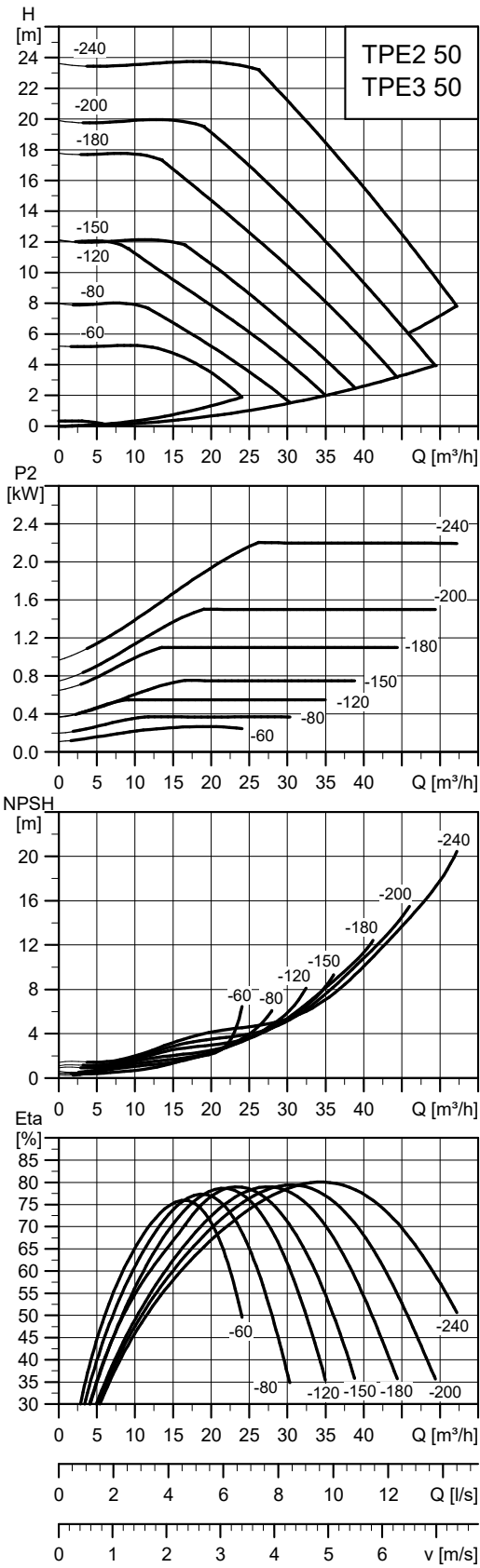
TM058182

TM058183

Technical data

TPE2, TPE3 40		-80	-120	-150	-180	-200	-240	
TPE2, TPE3		•	•	•	•	•	•	
TPE2 D, TPE3 D		•	•	•	•	•	•	
P2	1~/3~	kW	0.25	0.37	0.55	0.75	1.1	1.5
PN		PN 6/10/16	PN 6/10/16	PN 6/10/16	PN 6/10/16	PN 6/10/16	PN 6/10/16	
T _{min} , T _{max}		[°C]	[-25;120]	[-25;120]	[-25;120]	[-25;120]	[-25;120]	
D1		[mm]	40	40	40	40	40	
AC		1~/3~	[mm] 122/122	122/122	122/122	122/122	122/122	
AD		1~/3~	[mm] 158/158	158/158	158/158	158/158	158/158	
AE		1~/3~	[mm] 106/134	106/134	106/134	106/134	106/134	
AF		1~/3~	[mm] 106/134	106/134	106/134	106/134	106/134	
P		[mm]	165	165	165	165	165	
B1		TPE2(3)/TPE2(3) D	[mm] 72/218	72/218	72/218	72/218	72/218	
B2		TPE2(3)/TPE2(3) D	[mm] 82/220	82/220	82/220	82/220	82/220	
B3		[mm]	260	260	260	260	260	
B4		1~TPE2(3)/TPE2(3) D	[mm] -/317	-/317	-/317	-/317	-/317	
		3~TPE2(3)/TPE2(3) D	[mm] -/337	-/337	-/337	-/337	-/337	
C1		TPE2(3)/TPE2(3) D	[mm] -/260	-/260	-/260	-/260	-/260	
C5		TPE2(3)/TPE2(3) D	[mm] -/75	-/75	-/75	-/75	-/75	
C6		TPE2(3)/TPE2(3) D	[mm] -/58	-/58	-/58	-/58	-/58	
C7		TPE2(3)/TPE2(3) D	[mm] -/155	-/155	-/155	-/155	-/155	
C8		TPE2(3)/TPE2(3) D	[mm] -/130	-/130	-/130	-/130	-/130	
L1		[mm]	216	216	216	216	216	
H1		TPE2(3)/TPE2(3) D	[mm] 65/69	65/69	65/69	65/69	65/69	
H2		[mm]	162	162	162	162	162	
H3		1~TPE2(3)/TPE2(3) D	[mm] 442/446	442/446	442/446	442/446	462/466	
		3~TPE2(3)/TPE2(3) D	[mm] 482/486	482/486	482/486	482/486	502/506	
M			M12	M12	M12	M12	M12	

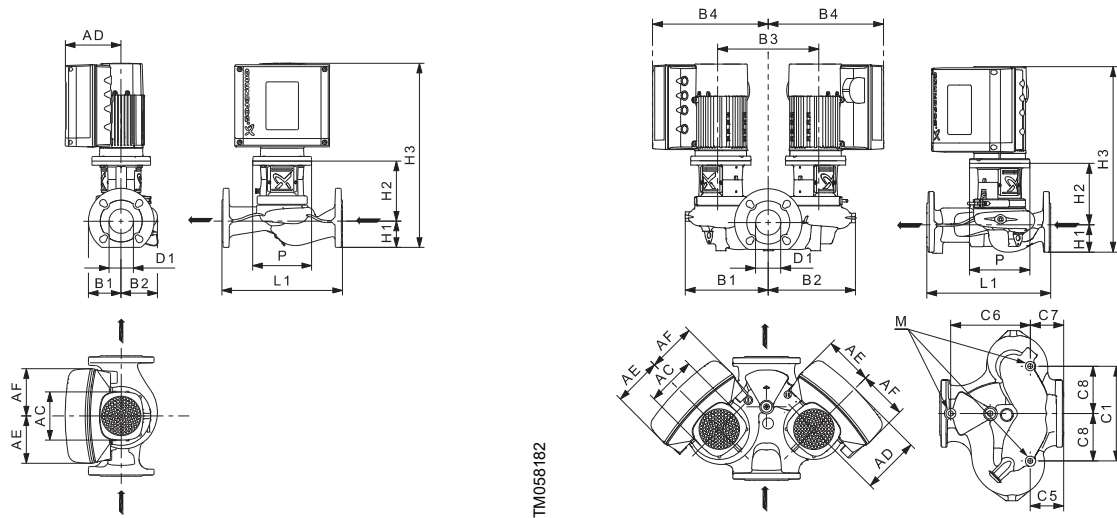
TPE2, TPE2 D, TPE3, TPE3 D 50



TM058193

TM058173

Note: The dotted Q, H curves apply to TPE2 D, TPE3 D in parallel operation.



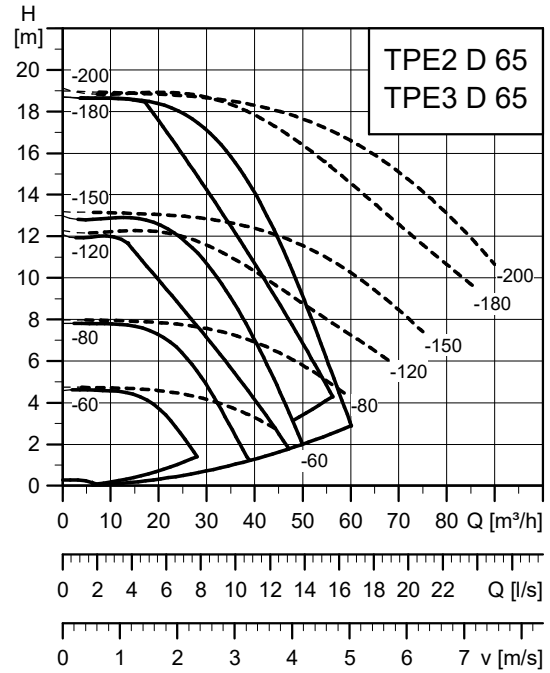
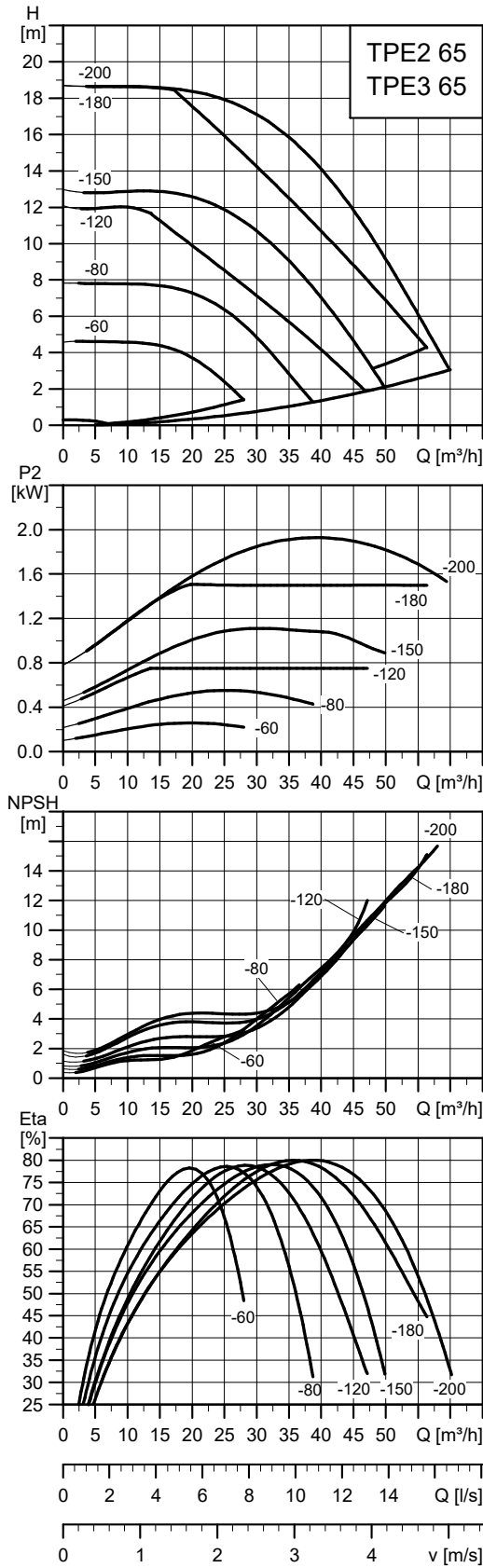
TM058182

TM058183

Technical data

TPE2, TPE3 50		-60	-80	-120	-150	-180	-200	-240	
TPE2, TPE3		•	•	•	•	•	•	•	
TPE2 D, TPE3 D		•	•	•	•	•	•	•	
P2	1~/3~	kW	0.37	0.37	0.55	0.75	1.1	1.5	2.2
PN			PN 6/10/16	PN 6/10/16	PN 6/10/16	PN 6/10/16	PN 6/10/16	PN 6/10/16	PN 6/10/16
T _{min} , T _{max}		[°C]	[-25;120]	[-25;120]	[-25;120]	[-25;120]	[-25;120]	[-25;120]	[-25;120]
D1		[mm]	50	50	50	50	50	50	50
AC		1~/3~	[mm] 122/122	122/122	122/122	122/122	122/122	122/122	122/122
AD		1~/3~	[mm] 158/158	158/158	158/158	158/158	158/158	158/158	158/158
AE		1~/3~	[mm] 106/134	106/134	106/134	106/134	106/134	106/134	-134
AF		1~/3~	[mm] 106/134	106/134	106/134	106/134	106/134	106/134	-134
P		[mm]	165	165	165	165	165	165	165
B1		TPE2(3)/TPE2(3) D	[mm] 75/223	75/223	75/223	75/223	75/223	75/223	75/223
B2		TPE2(3)/TPE2(3) D	[mm] 91/227	91/227	91/227	91/227	91/227	91/227	91/227
B3		[mm]	260	260	260	260	260	260	260
B4		1~TPE2(3)/TPE2(3) D	[mm] -/317	-/317	-/317	-/317	-/317	-/317	-/317
		3~TPE2(3)/TPE2(3) D	[mm] -/337	-/337	-/337	-/337	-/337	-/337	-/337
C1		TPE2(3)/TPE2(3) D	[mm] -/260	-/260	-/260	-/260	-/260	-/260	-/260
C5		TPE2(3)/TPE2(3) D	[mm] -/75	-/75	-/75	-/75	-/75	-/75	-/75
C6		TPE2(3)/TPE2(3) D	[mm] -/175	-/175	-/175	-/175	-/175	-/175	-/175
C7		TPE2(3)/TPE2(3) D	[mm] -/75	-/75	-/75	-/75	-/75	-/75	-/75
C8		TPE2(3)/TPE2(3) D	[mm] -/130	-/130	-/130	-/130	-/130	-/130	-/130
L1		[mm]	280	280	280	280	280	280	280
H1		TPE2(3)/TPE2(3) D	[mm] 72/75	72/75	72/75	72/75	72/75	72/75	72/75
H2		[mm]	162	162	162	162	162	162	162
H3		1~TPE2(3)/TPE2(3) D	[mm] 449/451	449/451	449/451	449/451	449/451	469/471	-
		3~TPE2(3)/TPE2(3) D	[mm] 489/491	489/491	489/491	489/491	489/491	509/511	509/511
M			M12	M12	M12	M12	M12	M12	M12

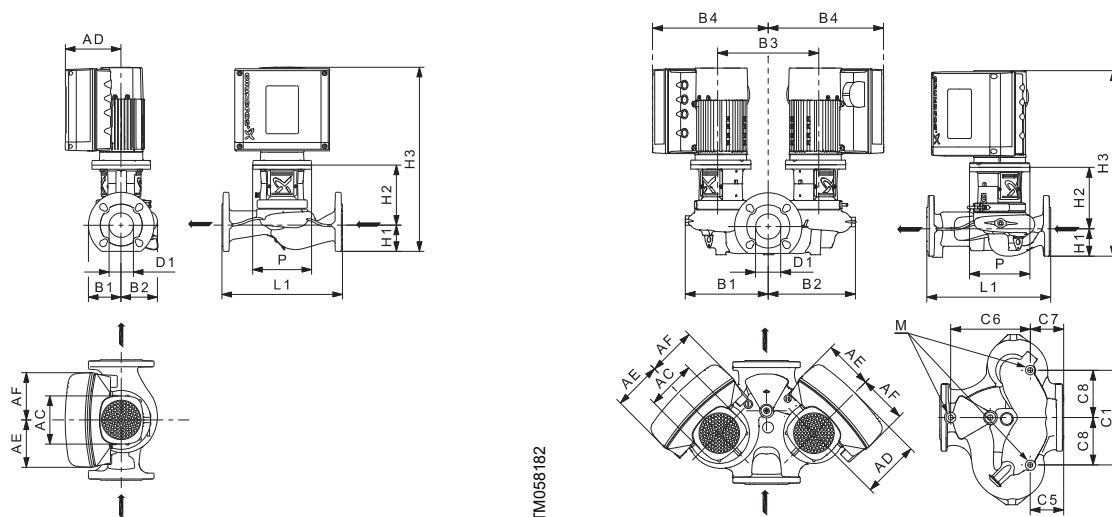
TPE2, TPE2 D, TPE3, TPE3 D 65



TM058194

TM058174

Note: The dotted Q, H curves apply to TPE2 D, TPE3 D in parallel operation.



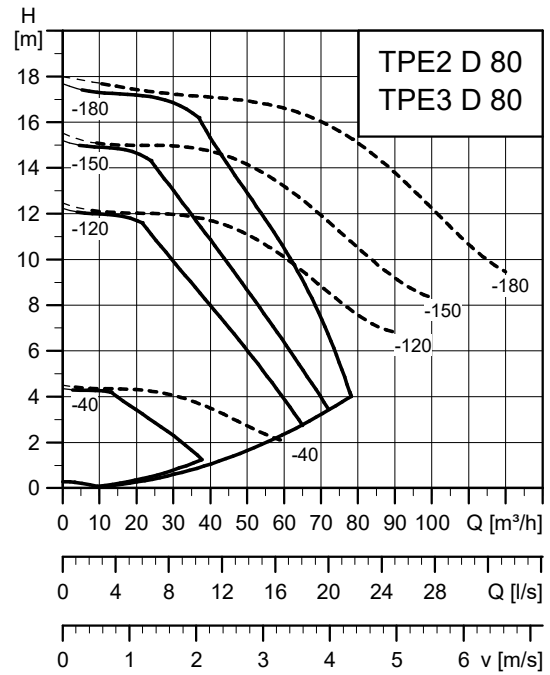
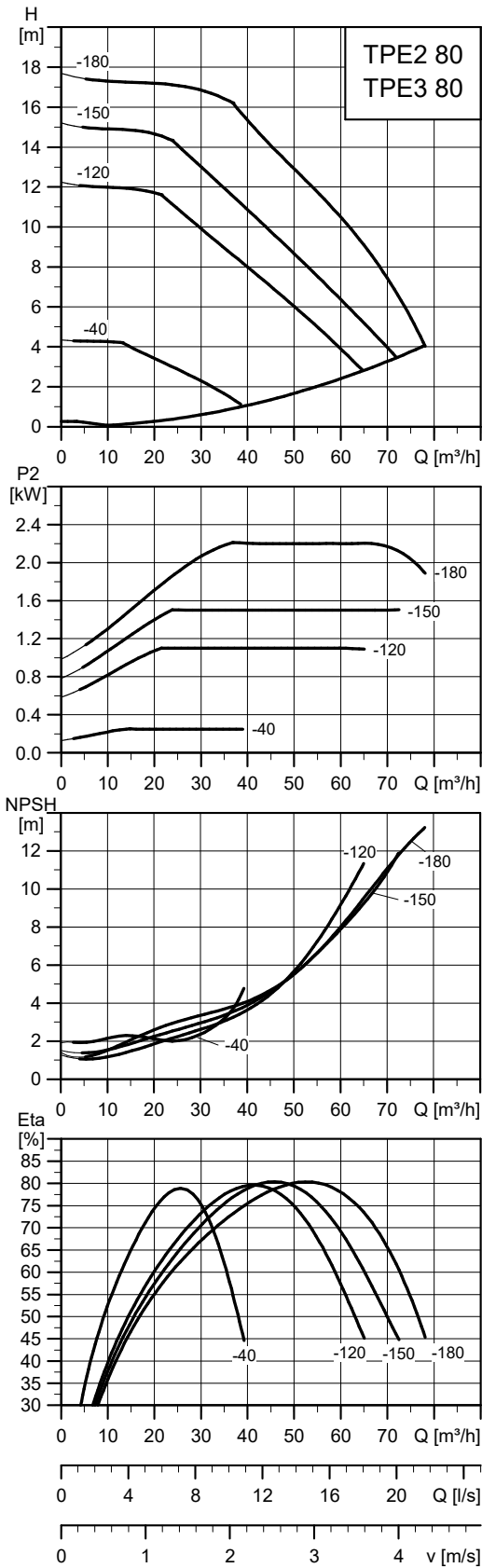
TM058182

TM058183

Technical data

TPE2, TPE3 65		-60	-80	-120	-150	-180	-200	
TPE2, TPE3		•	•	•	•	•	•	
TPE2 D, TPE3 D		•	•	•	•	•	•	
P2	1~/3~	kW	0.37	0.55	0.75	1.1	1.5	2.2
PN			PN 6/10/16	PN 6/10/16	PN 6/10/16	PN 6/10/16	PN 6/10/16	PN 6/10/16
T _{min} , T _{max}		[°C]	[-25;120]	[-25;120]	[-25;120]	[-25;120]	[-25;120]	[-25;120]
D1		[mm]	65	65	65	65	65	65
AC		1~/3~	[mm]	122/122	122/122	122/122	122/122	122/122
AD		1~/3~	[mm]	158/158	158/158	158/158	158/158	158/158
AE		1~/3~	[mm]	106/134	106/134	106/134	106/134	-/134
AF		1~/3~	[mm]	106/134	106/134	106/134	106/134	-/134
P		[mm]	165	165	165	165	165	165
B1		TPE2(3)/TPE2(3) D	[mm]	81/228	81/228	81/228	81/228	81/228
B2		TPE2(3)/TPE2(3) D	[mm]	102/240	102/240	102/240	102/240	102/240
B3			[mm]	260	260	260	260	260
B4		1~TPE2(3)/TPE2(3) D	[mm]	-/317	-/317	-/317	-/317	-/317
		3~TPE2(3)/TPE2(3) D	[mm]	-/337	-/337	-/337	-/337	-/337
C1		TPE2(3)/TPE2(3) D	[mm]	-/260	-/260	-/260	-/260	-/260
C5		TPE2(3)/TPE2(3) D	[mm]	-/92	-/92	-/92	-/92	-/92
C6		TPE2(3)/TPE2(3) D	[mm]	-/218	-/218	-/218	-/218	-/218
C7		TPE2(3)/TPE2(3) D	[mm]	-/92	-/92	-/92	-/92	-/92
C8		TPE2(3)/TPE2(3) D	[mm]	-/130	-/130	-/130	-/130	-/130
L1			[mm]	340	340	340	340	340
H1		TPE2(3)/TPE2(3) D	[mm]	74/78	74/78	74/78	74/78	74/78
H2			[mm]	169	169	169	169	169
H3		1~TPE2(3)/TPE2(3) D	[mm]	458/462	458/462	458/462	458/462	478/482
		3~TPE2(3)/TPE2(3) D	[mm]	498/502	498/502	498/502	498/502	518/522
M				M12	M12	M12	M12	M12

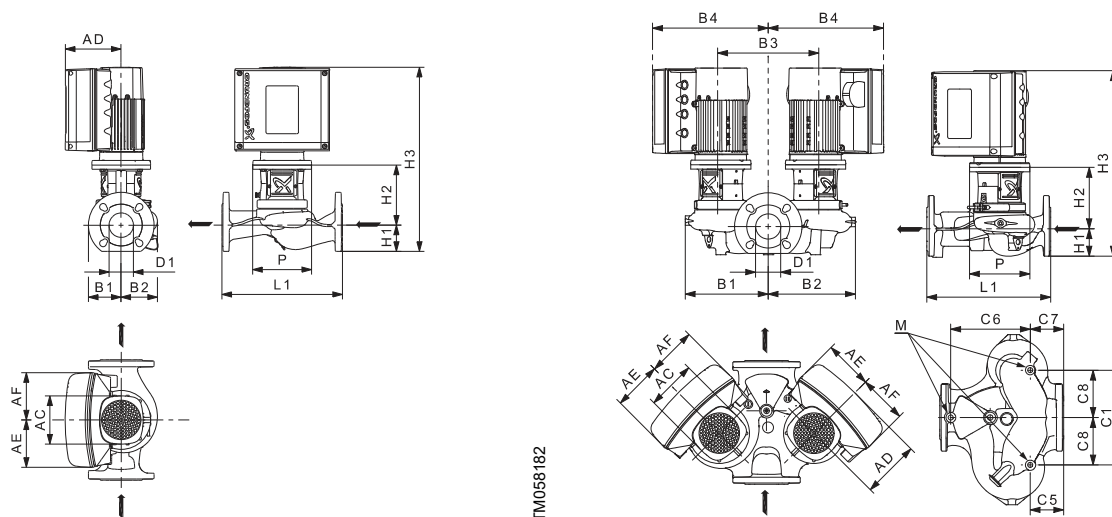
TPE2, TPE2 D, TPE3, TPE3 D 80



TM058195

TM058175

Note: The dotted Q, H curves apply to TPE2 D, TPE3 D in parallel operation.



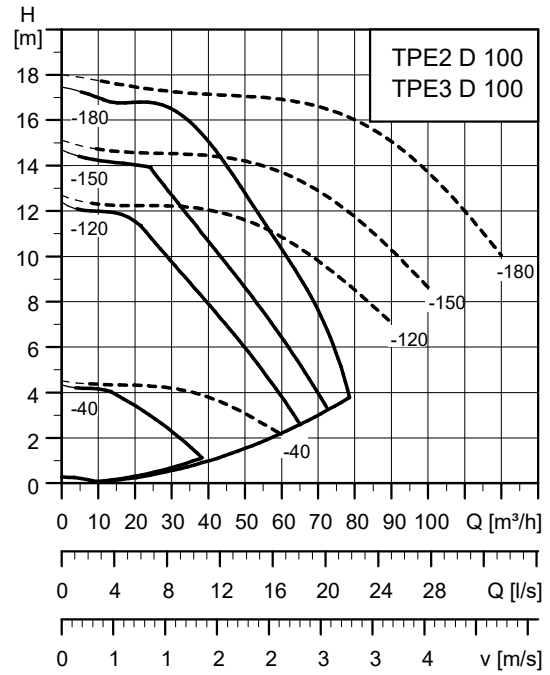
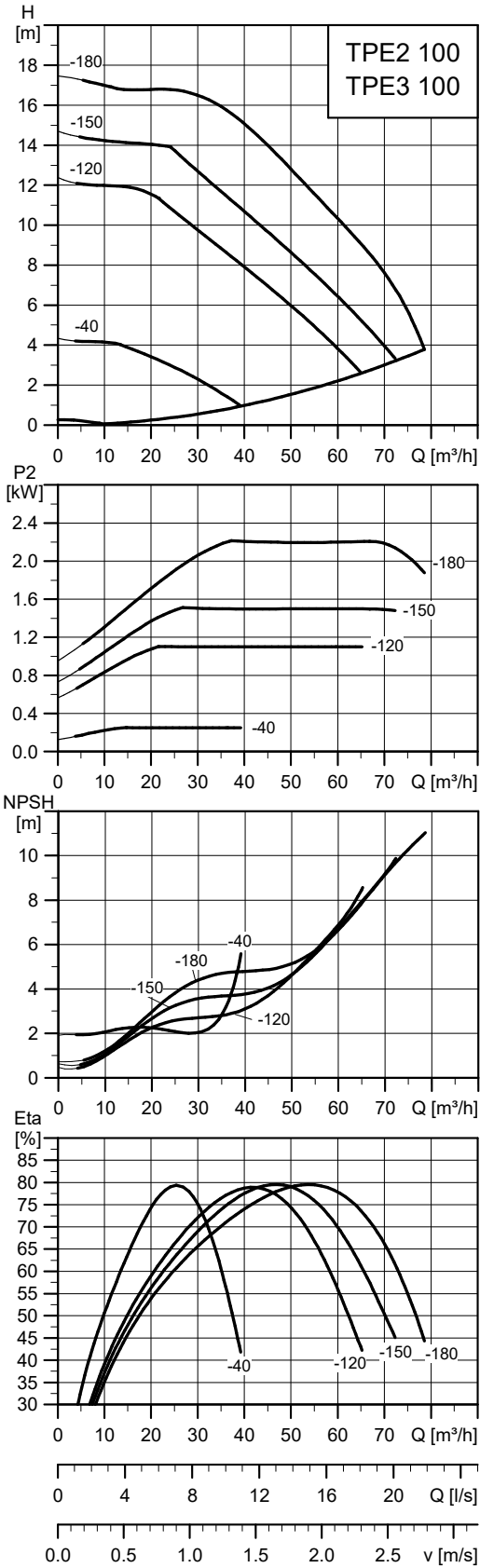
TM058182

TM058183

Technical data

TPE2, TPE3 80			-40	-120	-150	-180
TPE2, TPE3			•	•	•	•
TPE2 D, TPE3 D			•	•	•	•
P2	1~3~	kW	0.25	1.1	1.5	2.2
PN			PN 6/10/16	PN 6/10/16	PN 6/10/16	PN 6/10/16
T _{min} , T _{max}		[°C]	[-25;120]	[-25;120]	[-25;120]	[-25;120]
D1		[mm]	80	80	80	80
AC	1~3~	[mm]	122/122	122/122	122/122	122/122
AD	1~3~	[mm]	158/158	158/158	158/158	158/158
AE	1~3~	[mm]	106/134	106/134	106/134	-/134
AF	1~3~	[mm]	106/134	106/134	106/134	-/134
P		[mm]	165	165	165	165
B1	TPE2(3)/TPE2(3) D	[mm]	97/244	97/244	97/244	97/244
B2	TPE2(3)/TPE2(3) D	[mm]	123/254	123/254	123/254	123/254
B3		[mm]	260	260	260	260
B4	1~TPE2(3)/TPE2(3) D	[mm]	-/317	-/317	-/317	-/317
	3~TPE2(3)/TPE2(3) D	[mm]	-/337	-/337	-/337	-/337
C1	TPE2(3)/TPE2(3) D	[mm]	-/260	-/260	-/260	-/260
C5	TPE2(3)/TPE2(3) D	[mm]	-/102	-/102	-/102	-/102
C6	TPE2(3)/TPE2(3) D	[mm]	-/218	-/218	-/218	-/218
C7	TPE2(3)/TPE2(3) D	[mm]	-/102	-/102	-/102	-/102
C8	TPE2(3)/TPE2(3) D	[mm]	-/130	-/130	-/130	-/130
L1		[mm]	360	360	360	360
H1	TPE2(3)/TPE2(3) D	[mm]	94/97	94/97	94/97	94/97
H2		[mm]	176	176	176	176
H3	1~TPE2(3)/TPE2(3) D	[mm]	485/488	485/488	505/508	-
	3~TPE2(3)/TPE2(3) D	[mm]	525/528	525/528	545/548	545/548
M			M12	M12	M12	M12

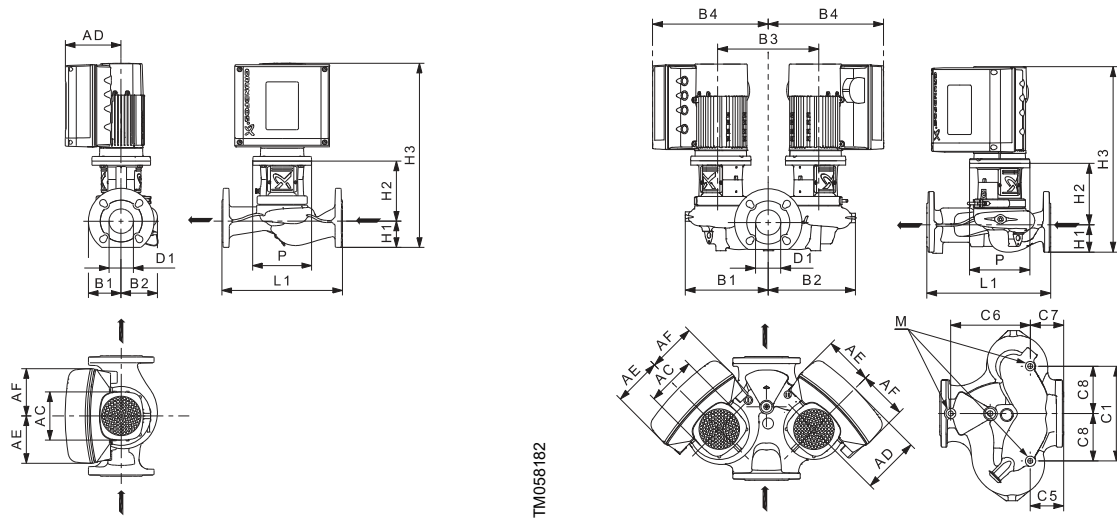
TPE2, TPE2 D, TPE3, TPE3 D 100



TM058196

TM058176

Note: The dotted Q, H curves apply to TPE2 D, TPE3 D in parallel operation.



TM058182

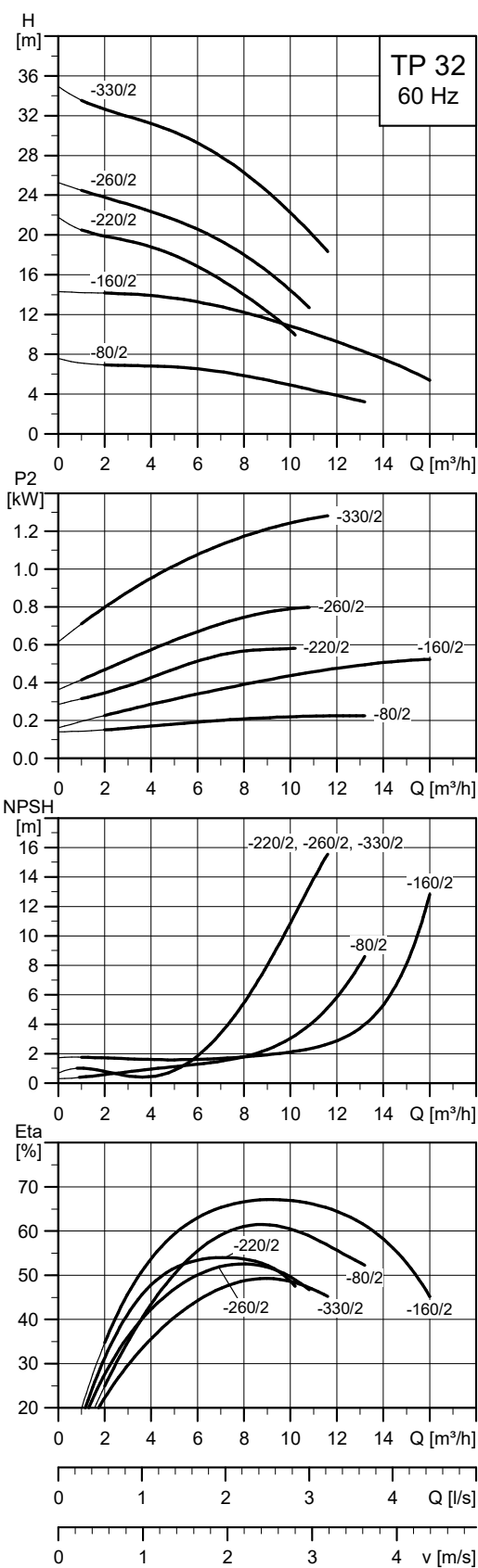
TM058183

Technical data

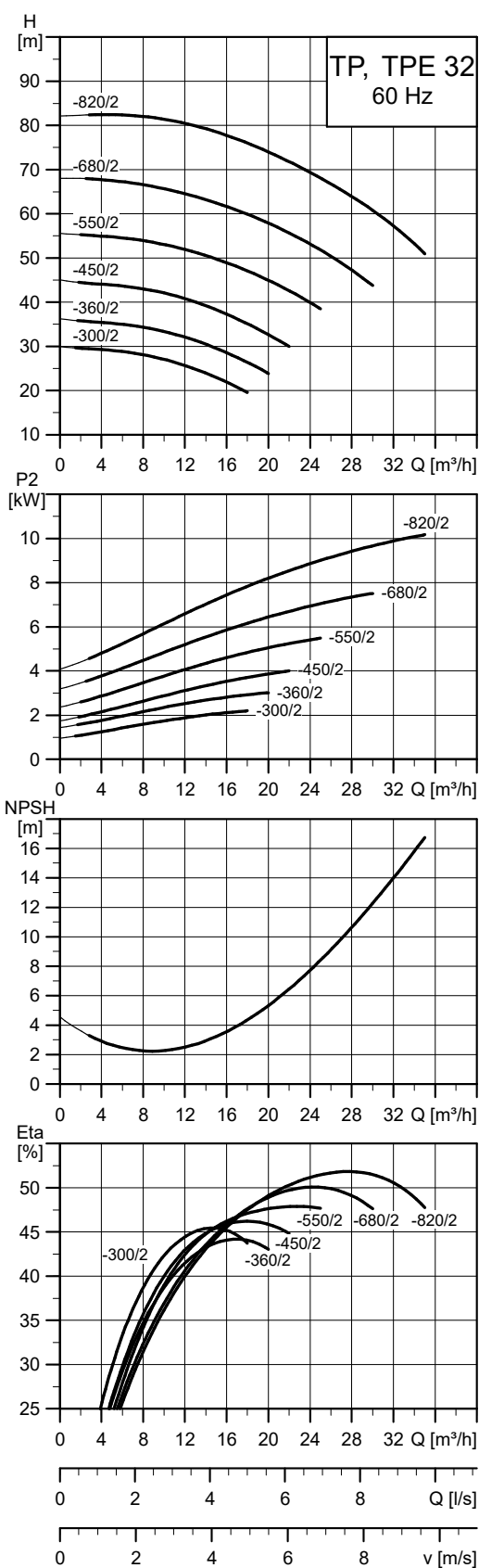
TPE2, TPE3 100			-40	-120	-150	-180
TPE2, TPE3			•	•	•	•
TPE2 D, TPE3 D			•	•	•	•
P2	1~3~	kW	0.25	1.1	1.5	2.2
PN			PN 6/10/16	PN 6/10/16	PN 6/10/16	PN 6/10/16
T _{min} , T _{max}		[°C]	[-25;120]	[-25;120]	[-25;120]	[-25;120]
D1		[mm]	100	100	100	100
AC	1~3~	[mm]	122/122	122/122	122/122	122/122
AD	1~3~	[mm]	158/158	158/158	158/158	158/158
AE	1~3~	[mm]	106/134	106/134	106/134	-/134
AF	1~3~	[mm]	106/134	106/134	106/134	-/134
P		[mm]	165	165	165	165
B1	TPE2(3)/TPE2(3) D	[mm]	98/252	98/252	98/252	98/252
B2	TPE2(3)/TPE2(3) D	[mm]	125/265	125/265	125/265	125/265
B3		[mm]	270	270	270	270
B4	1~TPE2(3)/TPE2(3) D	[mm]	-/322	-/322	-/322	-/322
	3~TPE2(3)/TPE2(3) D	[mm]	-/342	-/342	-/342	-/342
C1	TPE2(3)/TPE2(3) D	[mm]	-/270	-/270	-/270	-/270
C5	TPE2(3)/TPE2(3) D	[mm]	-/147	-/147	-/147	-/147
C6	TPE2(3)/TPE2(3) D	[mm]	-/243	-/243	-/243	-/243
C7	TPE2(3)/TPE2(3) D	[mm]	-/147	-/147	-/147	-/147
C8	TPE2(3)/TPE2(3) D	[mm]	-/135	-/135	-/135	-/135
L1		[mm]	450	450	450	450
H1	TPE2(3)/TPE2(3) D	[mm]	102/104	102/104	102/104	102/104
H2		[mm]	189	189	189	189
H3	1~TPE2(3)/TPE2(3) D	[mm]	506/508	506/508	526/528	-
	3~TPE2(3)/TPE2(3) D	[mm]	546/548	546/548	566/568	566/568
M			M12	M12	M12	M12

TP, TPD, TPE, 2-pole, PN 6, 10, 16, 25

TP, TPD, TPE 32-XX/2

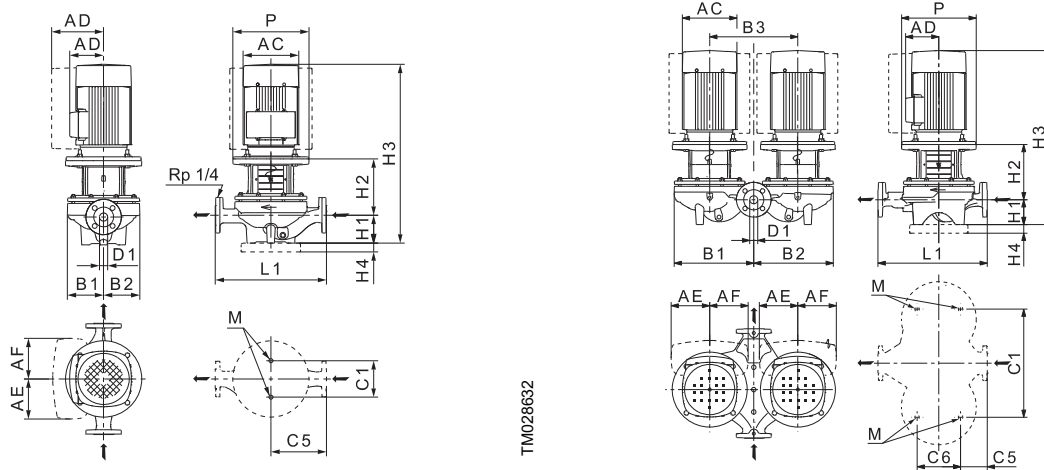


TM025034



TM025035

Note: All QH-curves apply to single-head pumps. For further information, see section Curve conditions.



TM028632

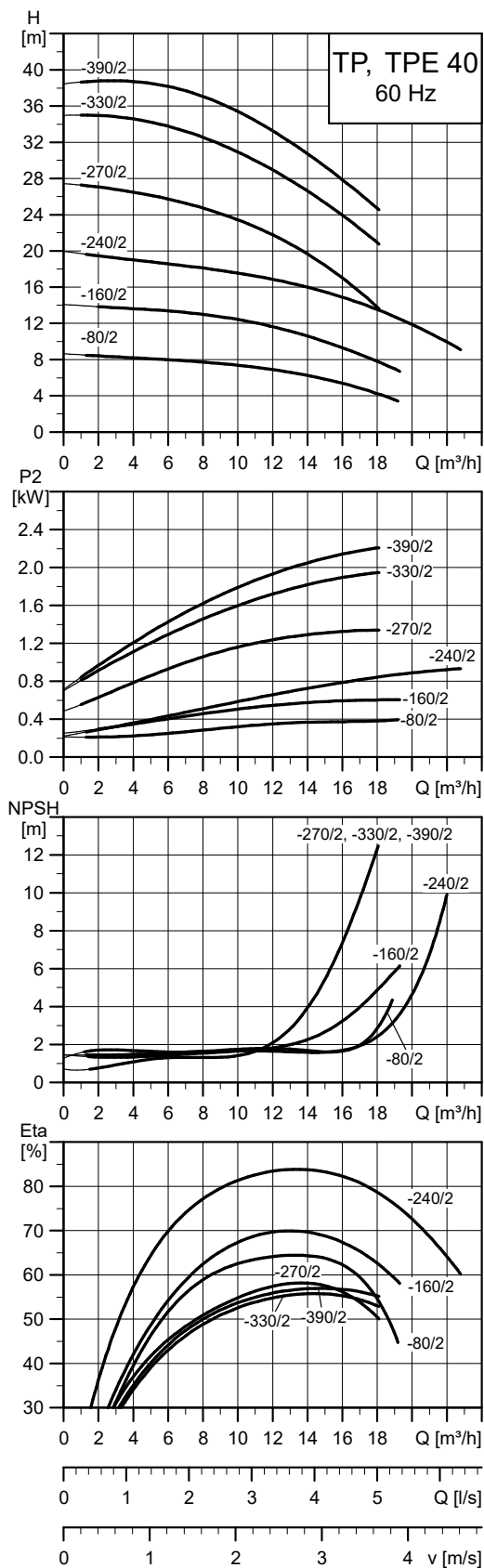
TM028631

Technical data

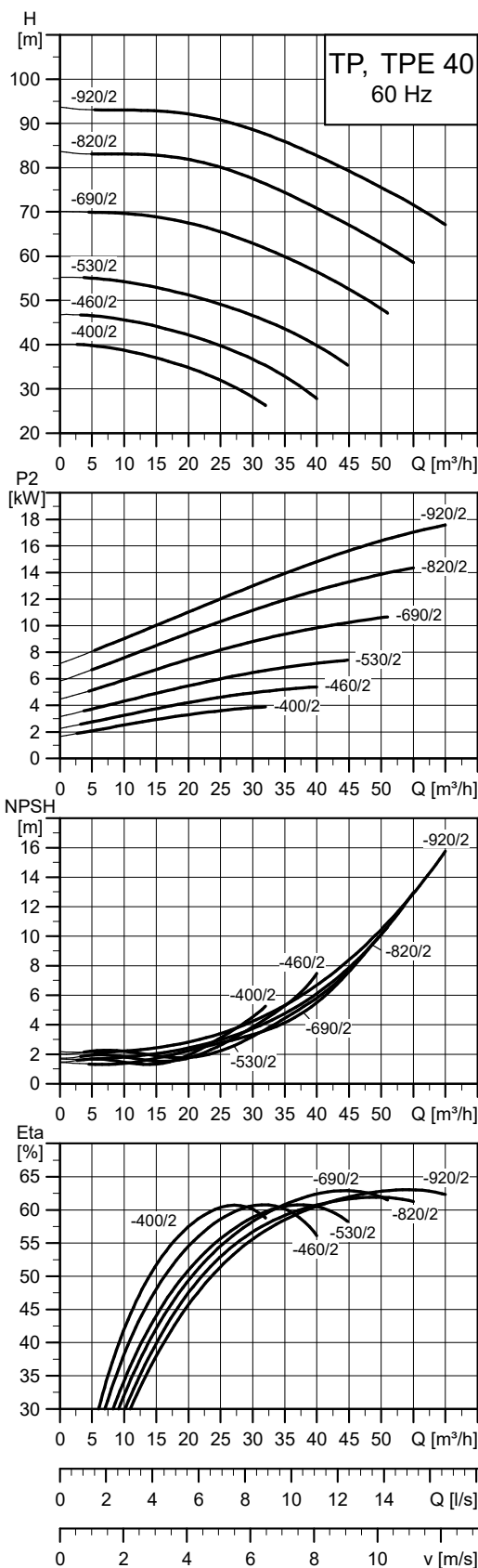
		-80/2	-160/2	-220/2	-260/2	-330/2	-300/2	-360/2	-450/2	-550/2	-680/2	-820/2	
TPD		-	-	-	-	-	•	•	•	•	•	•	
TPE		-	-	-	-	-	•	•	•	•	•	•	
TPED		-	-	-	-	-	-	-	-	-	-	-	
Series		200	200	200	200	200	300	300	300	300	300	300	
IEC size	1~ TP	-	-	-	-	-	-	-	-	-	-	-	
	3~ TP	71	71	80	90	90	90	100	112	132	132	160	
	1~ TPE	-	-	-	-	-	-	-	-	-	-	-	
	3~ TPE	-	-	-	-	-	90	100	112	132	132	160	
P2	1~3~ TP	[kW]	-0.37	-0.55	-0.75	-1.1	-1.5	-2.2	-3	-4	-5.5	-7.5	-11
	1~3~ TPE	[kW]	-	-	-	-	-	-2.2	-3	-4	-5.5	-7.5	-11
PN		PN 6/10	PN 6/10	PN 6/10	PN 6/10	PN 6/10	PN 16	PN 16	PN 16	PN 16	PN 16	PN 16	
T _{min} ; T _{max}	[°C]	[-25;140]	[-25;140]	[-25;140]	[-25;140]	[-25;140]	[-25;120]	[-25;120]	[-25;120]	[-25;120]	[-25;120]	[-25;120]	
D1	[mm]	32	32	32	32	32	32	32	32	32	32	32	
AC	1~3~ TP	[mm]	-142	-142	-142	-142	-178	-178	-198	-220	-220	-260	-314
	1~3~ TPE	[mm]	-	-	-	-	-	-122	-191	-191	-191	-255	-255
AD	1~3~ TP	[mm]	-109	-109	-109	-109	-110	-167	-120	-134	-134	-159	-204
	1~3~ TPE	[mm]	-	-	-	-	-	-158	-201	-201	-201	-237	-237
AE	1~3~ TPE	[mm]	-	-	-	-	-	132	146	146	146	237	237
AF	1~3~ TPE	[mm]	-	-	-	-	-	132	146	146	146	237	237
P	[mm]	-	-	-	-	-	200	250	250	300	300	350	
B1	TP(E)/TPD	[mm]	75/-	75/-	102/-	102/-	102/-	144/321	144/321	144/321	144/321	144/321	
B2	TP(E)/TPD	[mm]	75/-	75/-	102/-	102/-	102/-	144/321	144/321	144/321	144/321	144/321	
B3	[mm]	-	-	-	-	-	355	355	355	355	355	355	
C1	TP(E)/TPD	[mm]	80/-	80/-	80/-	80/-	80/-	144/435	144/435	144/435	144/435	144/435	
C5	TP(E)/TPD	[mm]	110	110	140	140	140	220/46	220/46	220/46	220/46	220/46	
C6	[mm]	-	-	-	-	-	175	175	175	175	175	175	
L1	[mm]	220	220	280	280	280	440	440	440	440	440	440	
H1	[mm]	68	68	79	79	79	100	100	100	100	100	100	
H2	[mm]	125	125	137	137	147	156	184	184	223	223	253	
H3	1~3~ TP	[mm]	-395	-395	-447	-517	-507	-577	-619	-656	-714	-702	-824
	1~3~ TPE	[mm]	-	-	-	-	-	-530	-618	-618	-712	-736	-759
H4	[mm]	-	-	-	-	-	-	-	-	-	-	35	
M	[mm]	M12	M12	M12	M12	M12	M16	M16	M16	M16	M16	M16	

- TP, TPD pumps with 3-phase motors from 0.12 to 0.37 kW are fitted with IE2 motors, 0.55 to 55 kW with IE3 motors, 75 to 200 kW with IE4 motors and 250 kW and up with IE3 motors.
- TP, TPE pumps with a H4 dimension are delivered with a base plate.

TP, TPD, TPE 40-XX/2

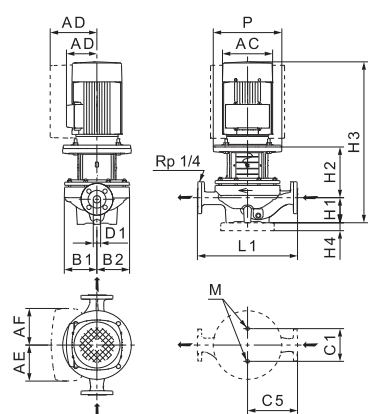


TM025036

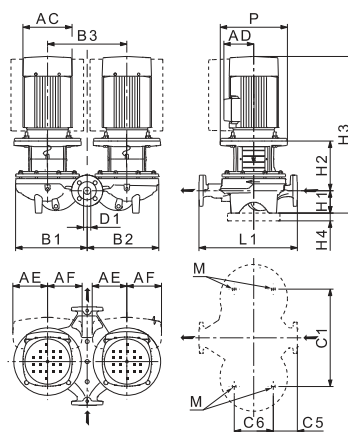


TM025037

Note: All QH-curves apply to single-head pumps. For further information, see section Curve conditions.



TM028632



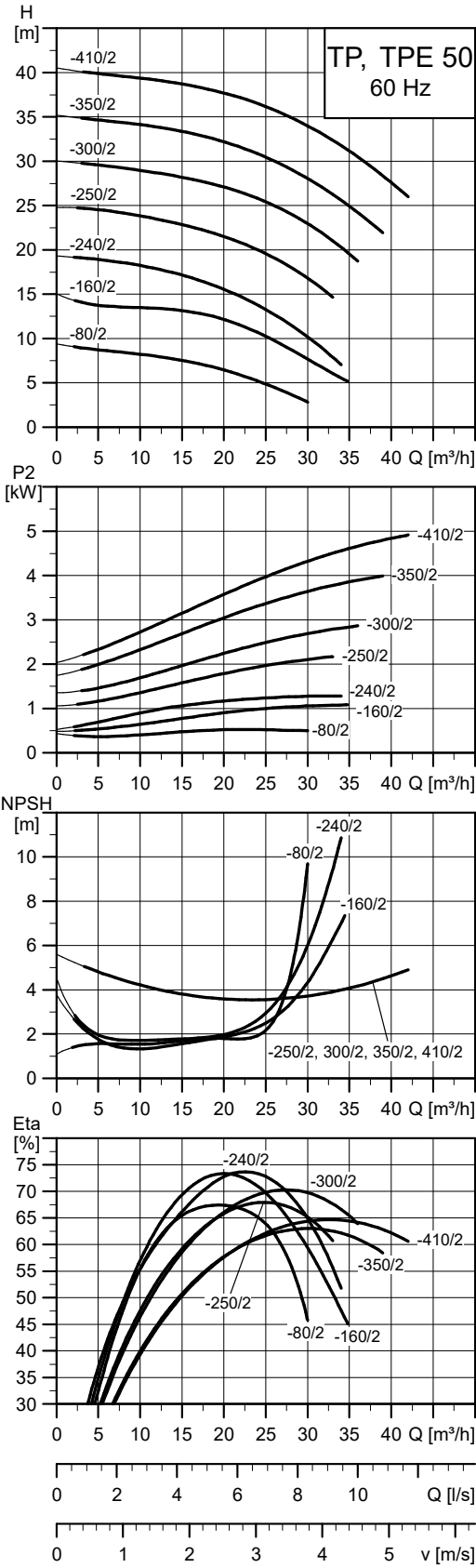
TM028631

Technical data

TP 40		-80/2	-160/2	-240/2	-270/2	-330/2	-390/2	-400/2	-460/2	-530/2	-690/2	-820/2	-920/2
TPD		-	-	-	-	-	-	•	•	•	•	•	•
TPE		-	-	-	-	-	-	•	•	•	•	•	•
TPED		-	-	-	-	-	-	-	-	-	-	-	-
Series		200	200	200	200	200	200	300	300	300	300	300	300
IEC size	1~ TP	-	-	-	-	-	-	-	-	-	-	-	-
	3~ TP	71	80	90	90	90	100	112	132	132	160	160	160
	1~ TPE	-	-	-	-	-	-	-	-	-	-	-	-
	3~ TPE	-	-	-	-	-	-	112	132	132	160	160	160
P2	1~/3~ TP	[kW]	-0.55	-0.75	-1.1	-1.5	-2.2	-3	-4	-5.5	-7.5	-11	-15
	1~/3~ TPE	[kW]	-	-	-	-	-	-4	-5.5	-7.5	-11	-15	-18.5
PN		PN 6/10	PN 6/10	PN 6/10	PN 16	PN 16	PN 16	PN 16	PN 16	PN 16	PN 16	PN 16	PN 16
T _{min} , T _{max}	[°C]	[-25;140]	[-25;140]	[-25;140]	[-25;140]	[-25;140]	[-25;140]	[-25;120]	[-25;120]	[-25;120]	[-25;120]	[-25;120]	[-25;120]
D1	[mm]	40	40	40	40	40	40	40	40	40	40	40	40
AC	1~/3~ TP	[mm]	-142	-142	-142	-178	-178	-178	-220	-220	-260	-314	-314
	1~/3~ TPE	[mm]	-	-	-	-	-	-	-191	-191	-255	-255	-314
AD	1~/3~ TP	[mm]	-109	-109	-109	-110	-110	-110	-134	-134	-159	-204	-204
	1~/3~ TPE	[mm]	-	-	-	-	-	-	-201	-201	-237	-237	-308
AE	1~/3~ TPE	[mm]	-	-	-	-	-	-	146	146	173	173	210
AF	1~/3~ TPE	[mm]	-	-	-	-	-	-	146	146	173	173	210
P	[mm]	-	-	-	-	-	-	-	250	300	300	350	350
B1	TP(E)/TPD	[mm]	85/-	75/-	101/-	102/-	102/-	102/-	150/325	150/325	150/325	150/325	150/325
B2	TP(E)/TPD	[mm]	75/-	75/-	101/-	102/-	102/-	102/-	147/325	147/325	147/325	147/325	147/325
B3	[mm]	-	-	-	-	-	-	-	355	355	355	355	355
C1	TP(E)/TPD	[mm]	120/-	80/-	80/-	120/-	120/-	120/-	144/435	144/435	144/435	144/435	144/435
C5	TP(E)/TPD	[mm]	125	125	125	160	160	160	220/108	220/108	220/108	220/108	220/108
C6	[mm]	-	-	-	-	-	-	-	175	175	175	175	175
L1	[mm]	250	250	250	320	320	320	320	440	440	440	440	440
H1	[mm]	67	67	68	68	68	68	68	110	110	110	110	110
H2	[mm]	132	139	144	150	150	160	160	184	223	223	253	253
H3	1~/3~ TP	[mm]	-390	-437	-513	-500	-540	-564	-666	-724	-724	-834	-878
	1~/3~ TPE	[mm]	-	-	-	-	-	-	-628	-722	-746	-769	-845
H4	[mm]	-	-	-	-	-	-	-	-	-	35	35	35
M	[mm]	M12	M12	M12	M12	M12	M12	M12	M16	M16	M16	M16	M16

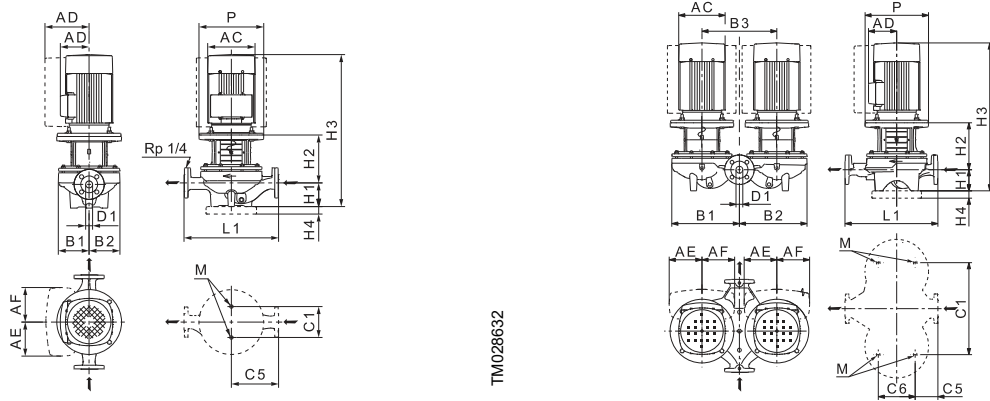
- TP, TPD pumps with 3-phase motors from 0.12 to 0.37 kW are fitted with IE2 motors, 0.55 to 55 kW with IE3 motors, 75 to 200 kW with IE4 motors and 250 kW and up with IE3 motors.
- TP, TPE pumps with a H4 dimension are delivered with a base plate.

TP, TPD, TPE 50-XX/2



Note: All QH-curves apply to single-head pumps. For further information, see section Curve conditions.

TM025038



TM028632

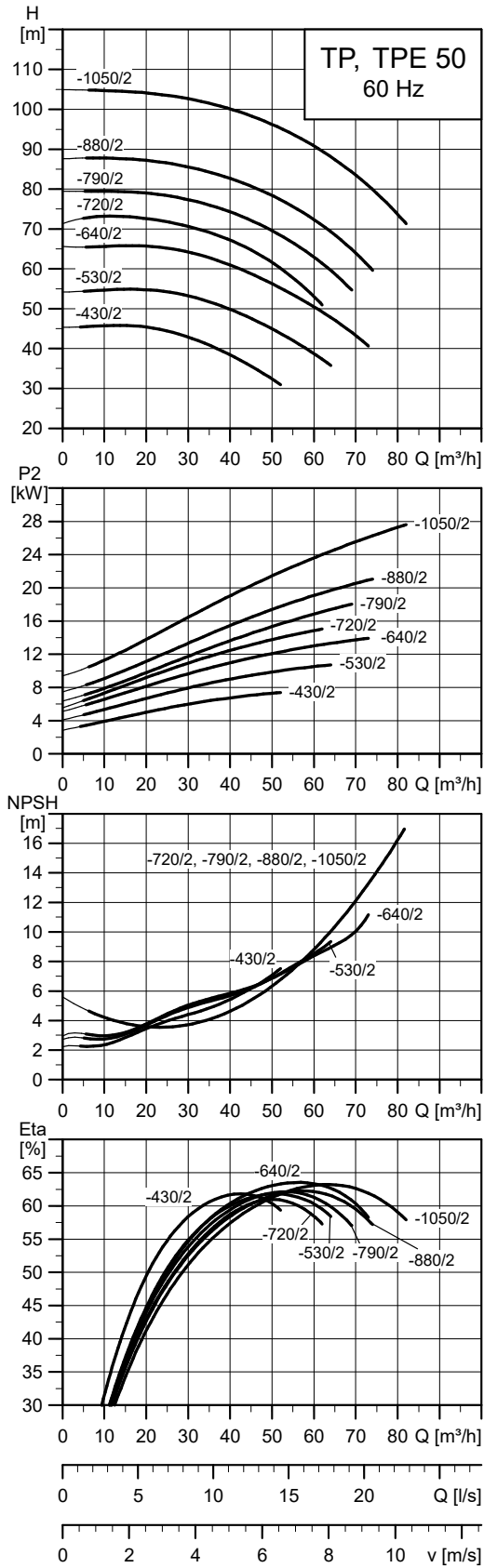
TM028631

Technical data

TP 50			-80/2	-160/2	-240/2	-250/2	-300/2	-350/2	-410/2
TPD			-	-	-	•	•	•	•
TPE			-	-	-	-	•	•	•
TPED			-	-	-	-	-	-	-
Series			200	200	200	300	300	300	300
IEC size	1~ TP		-	-	-	-	-	-	-
	3~ TP		71	90	90	90	100	112	132
	1~ TPE		-	-	-	-	-	-	-
	3~ TPE		-	-	-	-	100	112	132
P2	1~/3~ TP	[kW]	-/0.55	-/1.1	-/1.5	-/2.2	-/3	-/4	-/5.5
	1~/3~ TPE	[kW]	-	-	-	-	-/3	-/4	-/5.5
PN			PN 6/10	PN 6/10	PN 6/10	PN 16	PN 16	PN 16	PN 16
T _{min} ; T _{max}		[°C]	[-25;140]	[-25;140]	[-25;140]	[-25;120]	[-25;120]	[-25;120]	[-25;120]
D1		[mm]	50	50	50	50	50	50	50
AC	1~/3~ TP	[mm]	-/142	-/142	-/175	-/178	-/198	-/220	-/220
	1~/3~ TPE	[mm]	-	-	-	-	-/191	-/191	-/191
AD	1~/3~ TP	[mm]	-/109	-/109	-/110	-/110	-/120	-/134	-/134
	1~/3~ TPE	[mm]	-	-	-	-	-/201	-/201	-/201
AE	1~/3~ TPE	[mm]	-	-	-	-	146	146	146
AF	1~/3~ TPE	[mm]	-	-	-	-	146	146	146
P		[mm]	-	-	-	200	250	250	300
B1	TP(E)/TPD	[mm]	95/-	100/-	100/-	117/252	117/252	133/290	133/290
B2	TP(E)/TPD	[mm]	83/-	100/-	100/-	117/252	117/252	119/284	119/284
B3		[mm]	-	-	-	270	270	320	320
C1		TP(E)/TPD	[mm]	120/-	120/-	120/-	144/350	144/350	144/400
C5		TP(E)/TPD	[mm]	140	140	140	170/60	170/60	170/52
C6		[mm]	-	-	-	175	175	175	175
L1		[mm]	280	280	280	340	340	340	340
H1		[mm]	75	75	75	115	115	115	115
H2		[mm]	137	135	145	152	180	189	228
H3	1~/3~ TP	[mm]	-/403	-/511	-/501	-/588	-/630	-/676	-/734
	1~/3~ TPE	[mm]	-	-	-	-	-/629	-/638	-/708
H4		[mm]	-	-	-	-	-	-	-
M		[mm]	M12	M12	M12	M16	M16	M16	M16

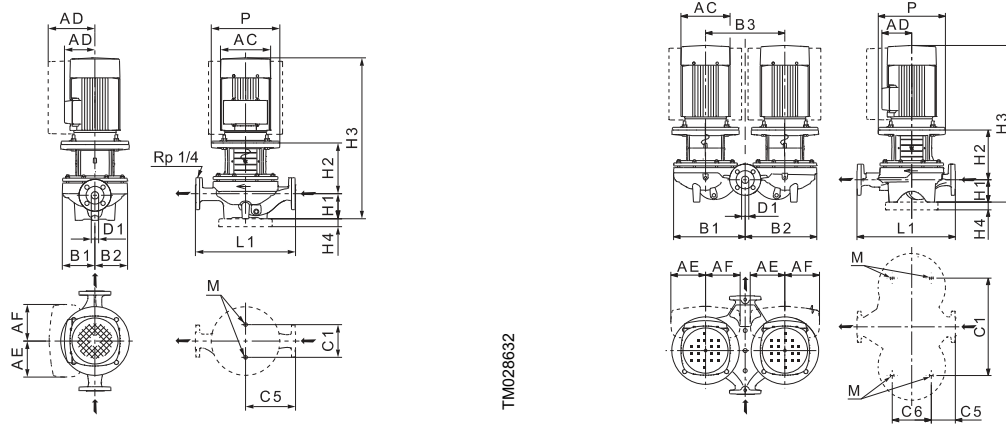
- TP, TPD pumps with 3-phase motors from 0.12 to 0.37 kW are fitted with IE2 motors, 0.55 to 55 kW with IE3 motors, 75 to 200 kW with IE4 motors and 250 kW and up with IE3 motors.
- TP, TPE pumps with a H4 dimension are delivered with a base plate.

TP, TPD, TPE 50-XX/2



Note: All QH-curves apply to single-head pumps. For further information, see section Curve conditions.

TM025039



TM028632

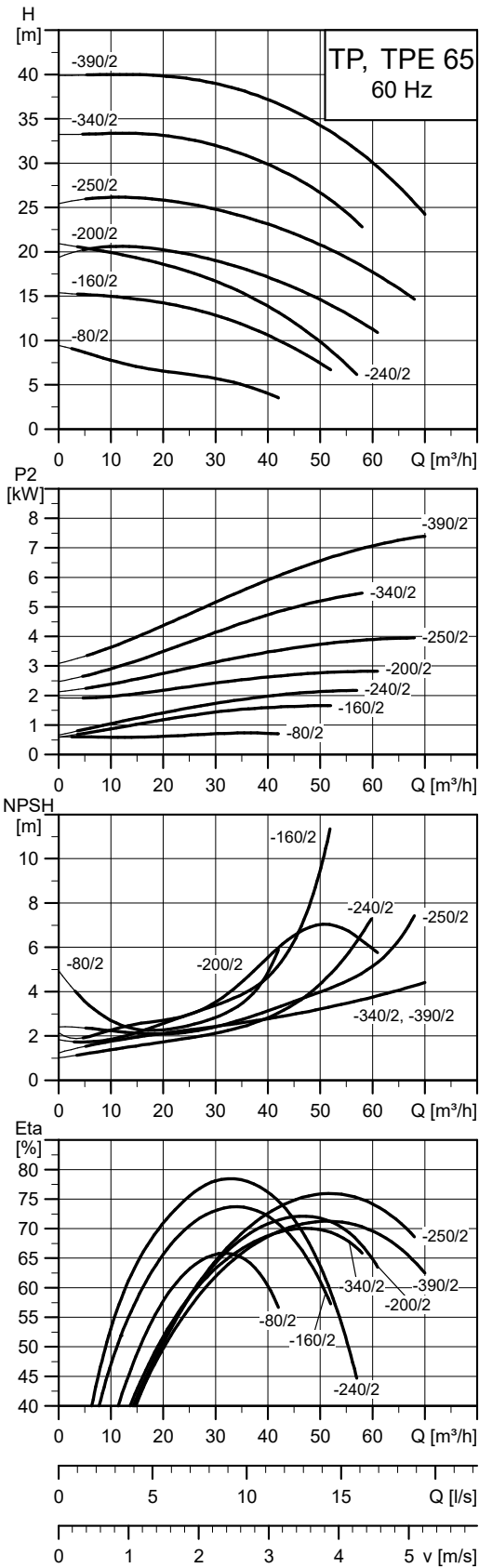
TM028631

Technical data

TP 50			-430/2	-530/2	-640/2	-720/2	-790/2	-880/2	-1050/2
TPD			•	•	•	•	•	•	•
TPE			•	•	•	•	•	•	-
TPED			-	-	-	-	-	-	-
Series			300	300	300	300	300	300	300
IEC size	1~ TP		-	-	-	-	-	-	-
	3~ TP		132	160	160	160	160	180	200
	1~ TPE		-	-	-	-	-	-	-
	3~ TPE		132	160	160	160	160	180	-
P2	1~3~ TP	[kW]	-/7.5	-/11	-/15	-/15	-/18.5	-/22	-/30
	1~3~ TPE	[kW]	-/7.5	-/11	-/15	-/15	-/18.5	-/22	-
PN			PN 16	PN 16	PN 16	PN 16	PN 16	PN 16	PN 16
T _{min} , T _{max}		[°C]	[-25;120]	[-25;120]	[-25;120]	[-25;120]	[-25;120]	[-25;120]	[-25;120]
D1		[mm]	50	50	50	50	50	50	50
AC	1~3~ TP	[mm]	-/260	-/314	-/314	-/314	-/314	-/314	-/396
	1~3~ TPE	[mm]	-/255	-/255	-/314	-/314	-/314	-/314	-
AD	1~3~ TP	[mm]	-/159	-/204	-/204	-/204	-/204	-/204	-/315
	1~3~ TPE	[mm]	-/237	-/237	-/308	-/308	-/308	-/308	-
AE	1~3~ TPE	[mm]	173	173	210	210	210	210	-
AF	1~3~ TPE	[mm]	173	173	210	210	210	210	-
P		[mm]	300	350	350	350	350	350	400
B1	TP(E)/TPD	[mm]	162/373	162/373	162/373	180/386	180/386	180/386	180/386
B2	TP(E)/TPD	[mm]	162/373	162/373	162/373	164/379	164/379	164/379	164/379
B3		[mm]	420	420	420	420	420	420	420
C1	TP(E)/TPD	[mm]	144/500	144/500	144/500	144/500	144/500	144/500	144/500
C5	TP(E)/TPD	[mm]	220/123	220/123	220/123	220/123	220/123	220/123	220/123
C6		[mm]	175	175	175	175	175	175	175
L1		[mm]	440	440	440	440	440	440	440
H1		[mm]	115	115	115	115	115	115	115
H2		[mm]	228	257	257	264	264	264	264
H3	1~3~ TP	[mm]	-/734	-/843	-/843	-/850	-/894	-/894	-/942
	1~3~ TPE	[mm]	-/731	-/778	-/854	-/861	-/861	-/887	-
H4		[mm]	-	35	35	35	35	35	35
M		[mm]	M16	M16	M16	M16	M16	M16	M16

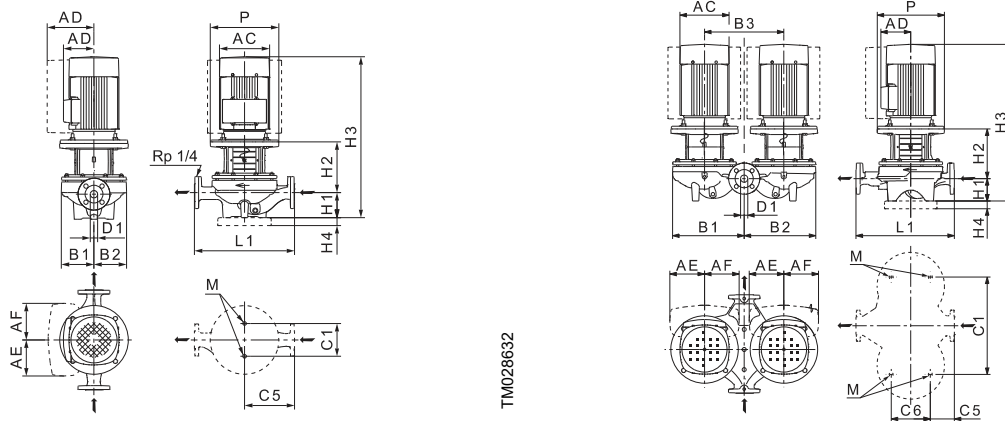
- TP, TPD pumps with 3-phase motors from 0.12 to 0.37 kW are fitted with IE2 motors, 0.55 to 55 kW with IE3 motors, 75 to 200 kW with IE4 motors and 250 kW and up with IE3 motors.
- TP, TPE pumps with a H4 dimension are delivered with a base plate.

TP, TPD, TPE 65-XX/2



Note: All QH-curves apply to single-head pumps. For further information, see section Curve conditions.

TM025040



TM028632

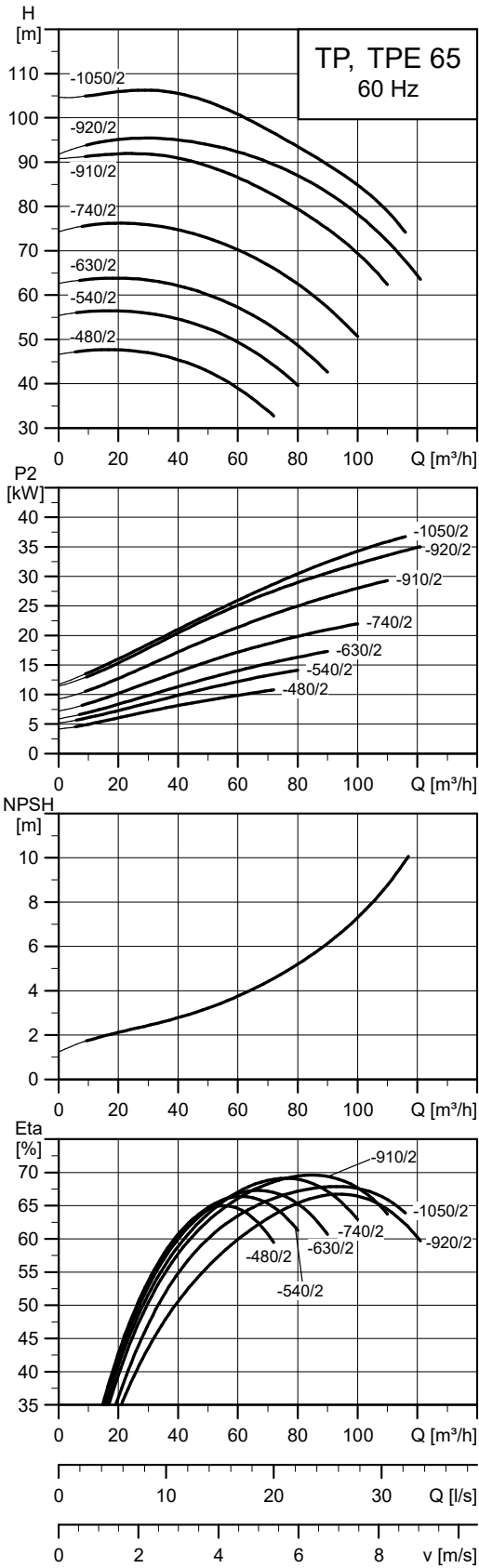
TM028631

Technical data

TP 65		-80/2	-160/2	-240/2	-200/2	-250/2	-340/2	-390/2
TPD		-	-	-	•	•	•	•
TPE		-	-	-	•	•	•	•
TPED		-	-	-	-	-	-	-
Series		200	200	200	300	300	300	300
IEC size	1~ TP	-	-	-	-	-	-	-
	3~ TP	90	90	90	100	112	132	132
	1~ TPE	-	-	-	-	-	-	-
	3~ TPE	-	-	-	100	112	132	132
P2	1~/3~ TP [kW]	-/1.1	-/1.5	-/2.2	-/3	-/4	-/5.5	-/7.5
	1~/3~ TPE [kW]	-	-	-	-/3	-/4	-/5.5	-/7.5
PN		PN 6/10	PN 6/10	PN 6/10	PN 16	PN 16	PN 16	PN 16
T _{min} ; T _{max}		[°C]	[-25;140]	[-25;140]	[-25;140]	[-25;120]	[-25;120]	[-25;120]
D1		[mm]	65	65	65	65	65	65
AC	1~/3~ TP	[mm]	-/142	-/175	-/175	-/198	-/220	-/260
	1~/3~ TPE	[mm]	-	-	-	-/191	-/191	-/255
AD	1~/3~ TP	[mm]	-/109	-/110	-/110	-/120	-/134	-/159
	1~/3~ TPE	[mm]	-	-	-	-/201	-/201	-/237
AE		[mm]	-	-	-	146	146	173
AF		[mm]	-	-	-	146	146	173
P		[mm]	-	-	-	250	250	300
B1		TP(E)/TPD [mm]	93/-	100/-	100/-	134/288	134/288	142/298
B2		TP(E)/TPD [mm]	93/-	100/-	100/-	122/282	122/282	124/290
B3		[mm]	-	-	-	320	320	320
C1		TP(E)/TPD [mm]	120/-	120/-	120/-	144/400	144/400	144/400
C5		TP(E)/TPD [mm]	170	170	170	180/65	180/65	180/65
C6		[mm]	-	-	-	175	175	175
L1		[mm]	340	340	340	360	360	360
H1		[mm]	82	82	82	105	105	105
H2		[mm]	156	154	154	192	192	239
H3	1~/3~ TP	[mm]	-/539	-/517	-/557	-/632	-/669	-/735
	1~/3~ TPE	[mm]	-	-	-	-/631	-/631	-/709
H4		[mm]	-	-	-	-	-	-
M		[mm]	M12	M12	M12	M16	M16	M16

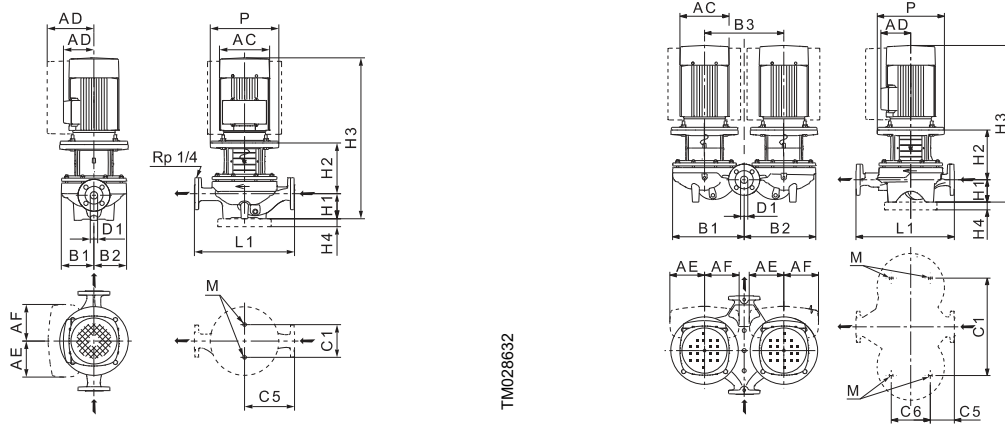
- TP, TPD pumps with 3-phase motors from 0.12 to 0.37 kW are fitted with IE2 motors, 0.55 to 55 kW with IE3 motors, 75 to 200 kW with IE4 motors and 250 kW and up with IE3 motors.
- TP, TPE pumps with a H4 dimension are delivered with a base plate.

TP, TPD, TPE 65-XX/2



Note: All QH-curves apply to single-head pumps. For further information, see section Curve charts.

TM025041

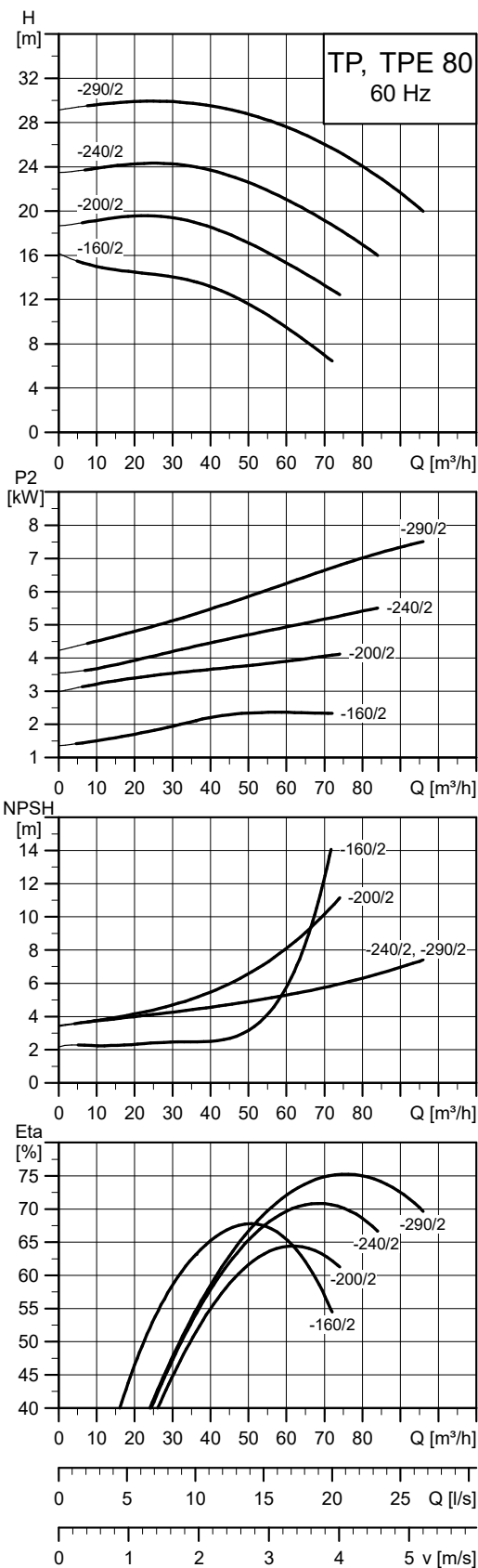


Technical data

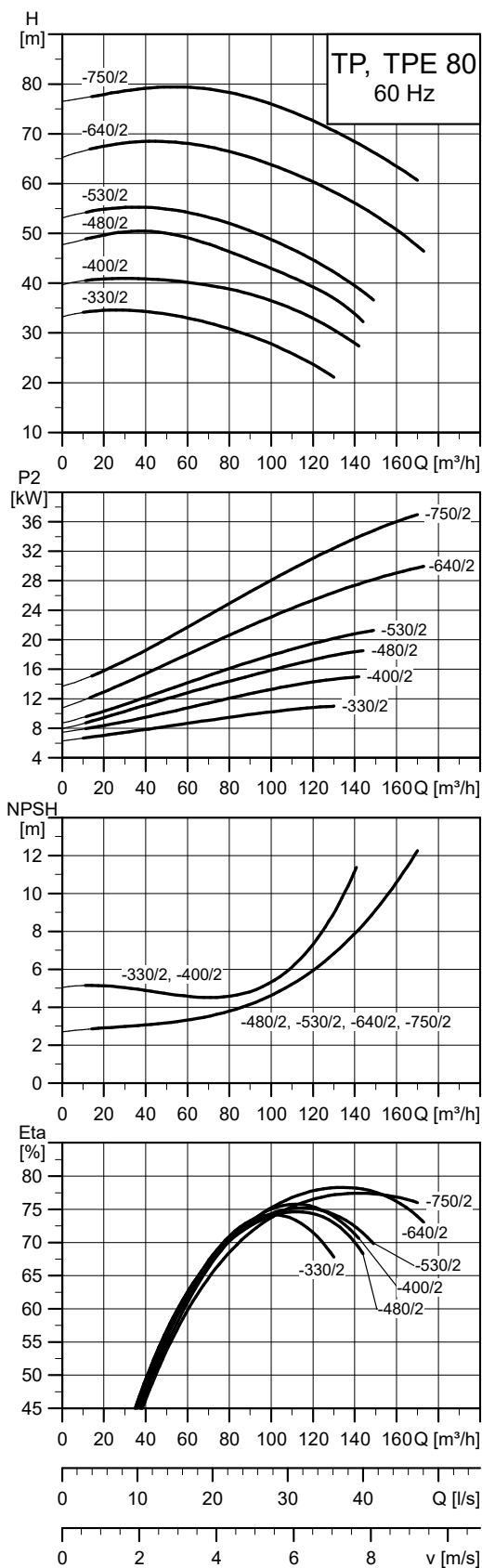
TP 65		-480/2	-540/2	-630/2	-740/2	-910/2	-920/2	-1050/2
TPD		•	•	•	•	•	•	•
TPE		•	•	•	•	-	-	-
TPED		-	-	-	-	-	-	-
Series		300	300	300	300	300	300	300
IEC size	1~ TP	-	-	-	-	-	-	-
	3~ TP	160	160	160	180	200	200	200
	1~ TPE	-	-	-	-	-	-	-
	3~ TPE	160	160	160	180	-	-	-
P2	1~/3~ TP [kW]	-/11	-/15	-/18.5	-/22	-/30	-/37	-/37
	1~/3~ TPE [kW]	-/11	-/15	-/18.5	-/22	-	-	-
PN		PN 16	PN 16	PN 16	PN 16	PN 16	PN 16	PN 16
T _{min} , T _{max}		[°C]	[-25;120]	[-25;120]	[-25;120]	[-25;120]	[-25;120]	[-25;120]
D1		[mm]	65	65	65	65	65	65
AC	1~/3~ TP	[mm]	-/314	-/314	-/314	-/314	-/396	-/396
	1~/3~ TPE	[mm]	-/255	-/314	-/314	-/314	-	-
AD	1~/3~ TP	[mm]	-/204	-/204	-/204	-/204	-/315	-/315
	1~/3~ TPE	[mm]	-/237	-/308	-/308	-/308	-	-
AE	1~/3~ TPE	[mm]	173	210	210	210	-	-
AF	1~/3~ TPE	[mm]	173	210	210	210	-	-
P		[mm]	350	350	350	350	400	400
B1	TP(E)/TPD	[mm]	178/349	178/349	178/349	178/349	178/349	178/349
B2	TP(E)/TPD	[mm]	164/383	164/383	164/383	164/383	164/383	164/383
B3		[mm]	440	440	440	440	440	440
C1		TP(E)/TPD	[mm]	144/520	144/520	144/520	144/520	144/520
C5		TP(E)/TPD	[mm]	238/111	238/111	238/111	238/111	238/111
C6		[mm]	175	175	175	175	175	175
L1		[mm]	475	475	475	475	475	475
H1		[mm]	125	125	125	125	125	125
H2		[mm]	263	263	263	263	263	263
H3	1~/3~ TP	[mm]	-/859	-/859	-/903	-/903	-/951	-/999
	1~/3~ TPE	[mm]	-/794	-/870	-/870	-/896	-	-
H4		[mm]	35	35	35	35	35	35
M		[mm]	M16	M16	M16	M16	M16	M16

- TP, TPD pumps with 3-phase motors from 0.12 to 0.37 kW are fitted with IE2 motors, 0.55 to 55 kW with IE3 motors, 75 to 200 kW with IE4 motors and 250 kW and up with IE3 motors.
- TP, TPE pumps with a H4 dimension are delivered with a base plate.

TP, TPD, TPE 80-XX/2

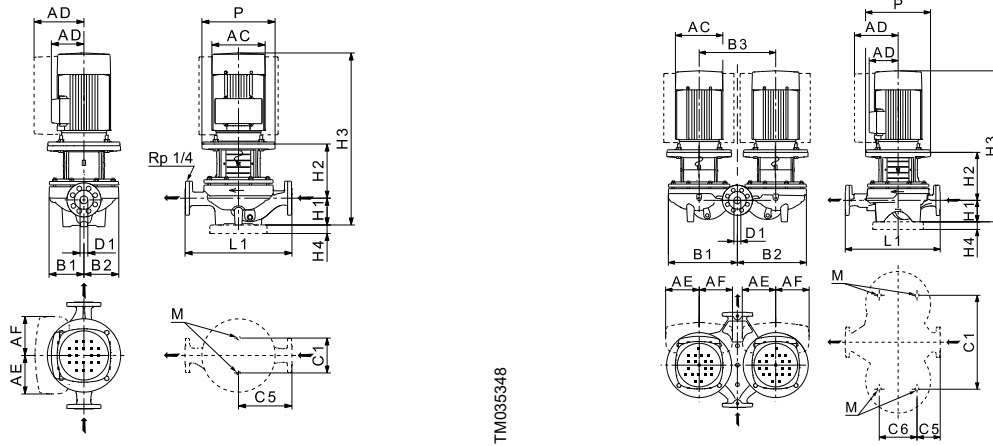


TM025042



TM028769

Note: All QH-curves apply to single-head pumps. For further information, see section Curve conditions.

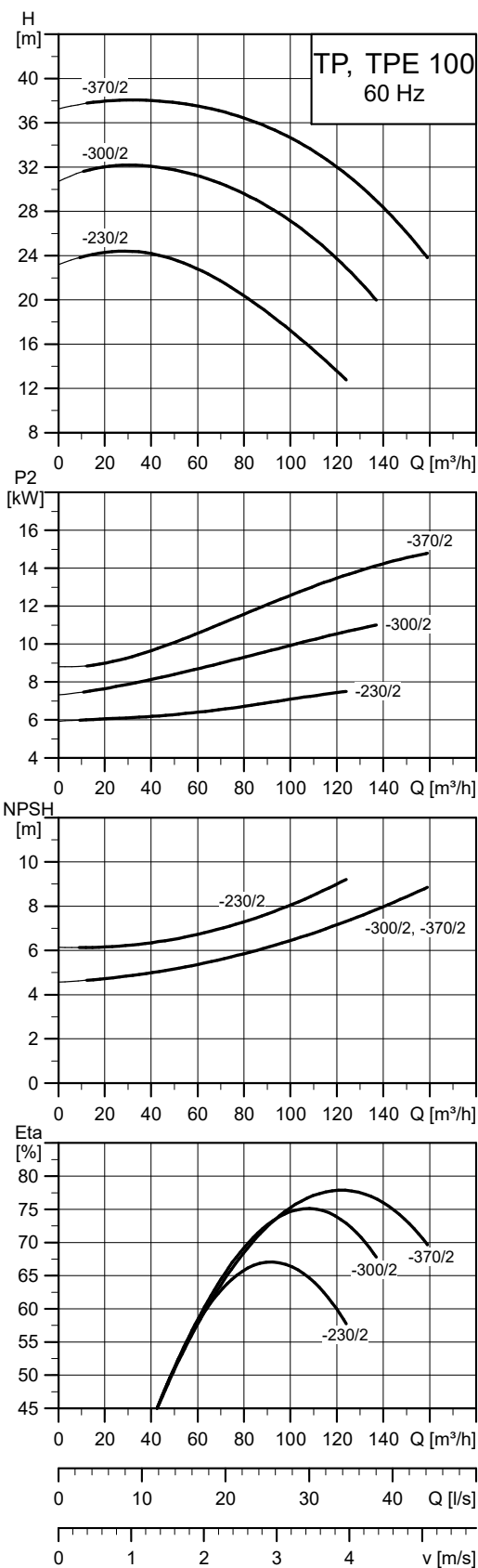


Technical data

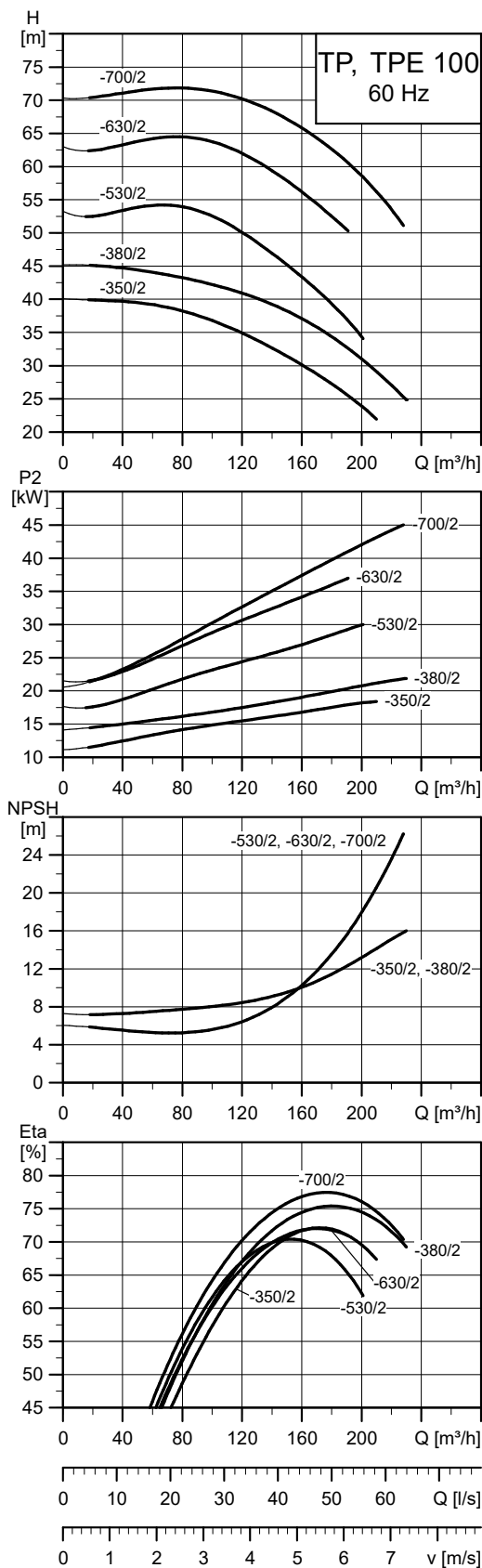
TP 80		-160/2	-200/2	-240/2	-290/2	-330/2	-400/2	-480/2	-530/2	-640/2	-750/2
TPD		-	•	•	•	•	•	•	•	•	•
TPE		-	•	•	•	•	•	•	-	-	-
TPED		-	-	-	-	-	-	-	-	-	-
Series		200	300	300	300	300	300	300	300	300	300
IEC size	1~ TP	-	-	-	-	-	-	-	-	-	-
	3~ TP	100	112	132	132	160	160	160	180	200	200
	1~ TPE	-	-	-	-	-	-	-	-	-	-
	3~ TPE	-	112	132	132	160	160	160	180	-	-
P2	1~3~ TP [kW]	-/3	-/4	-/5.5	-/7.5	-/11	-/15	-/18.5	-/22	-/30	-/37
	1~3~ TPE [kW]	-	-/4	-/5.5	-/7.5	-/11	-/15	-/18.5	-/22	-	-
PN		PN 6/10	PN 16	PN 16	PN 16	PN 16	PN 16	PN 16	PN 16	PN 16	PN 16
T _{min} ; T _{max}		[°C]	[-25;120]	[-25;120]	[-25;120]	[-25;120]	[-25;120]	[-25;120]	[-25;120]	[-25;120]	[-25;120]
D1		[mm]	80	80	80	80	80	80	80	80	80
AC	1~3~ TP [mm]	-/175	-/220	-/220	-/260	-/314	-/314	-/314	-/314	-/396	-/396
	1~3~ TPE [mm]	-	-/191	-/191	-/255	-/255	-/314	-/314	-/314	-	-
AD	1~3~ TP [mm]	-/110	-/134	-/134	-/159	-/204	-/204	-/204	-/204	-/315	-/315
	1~3~ TPE [mm]	-	-/201	-/201	-/237	-/237	-/308	-/308	-/308	-	-
AE	1~3~ TPE [mm]	-	146	146	173	173	210	210	210	-	-
AF	1~3~ TPE [mm]	-	146	146	173	173	210	210	210	-	-
P		[mm]	-	250	300	300	350	350	350	400	400
B1	TP(E)/TPD [mm]	125/-	125/260	125/260	125/260	176/366	176/366	187/416	187/416	187/416	187/416
B2	TP(E)/TPD [mm]	100/-	119/290	119/290	119/290	144/354	144/354	162/405	162/405	162/405	162/405
B3		[mm]	-	340	340	340	400	400	470	470	470
C1	TP(E)/TPD [mm]	160/-	144/420	144/420	144/420	144/480	144/480	144/550	144/550	144/550	144/550
C5	TP(E)/TPD [mm]	180	180/78	180/78	180/78	220/93	220/93	250/133	250/133	250/133	250/133
C6		[mm]	-	175	175	175	175	175	175	175	175
L1		[mm]	360	360	360	360	440	440	500	500	500
H1		[mm]	97	105	105	105	115	115	115	115	115
H2		[mm]	174	204	243	243	273	273	273	273	273
H3	1~3~ TP [mm]	-/606	-/681	-/739	-/727	-/859	-/859	-/903	-/903	-/951	-/976
	1~3~ TPE [mm]	-	-/643	-/713	-/737	-/794	-/880	-/880	-/906	-	-
H4		[mm]	-	-	-	35	35	35	35	35	35
M		[mm]	M16	M16	M16	M16	M16	M16	M16	M16	M16

- TP, TPD pumps with 3-phase motors from 0.12 to 0.37 kW are fitted with IE2 motors, 0.55 to 55 kW with IE3 motors, 75 to 200 kW with IE4 motors and 250 kW and up with IE3 motors.
- TP, TPE pumps with a H4 dimension are delivered with a base plate.

TP, TPD, TPE 100-XX/2

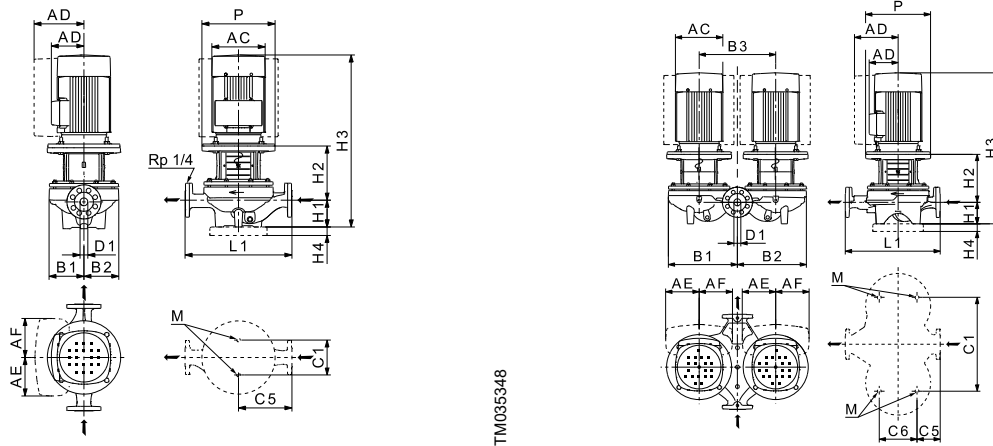


TM028770



TM028771

Note: All QH-curves apply to single-head pumps. For further information, see section Curve conditions.



TM035348

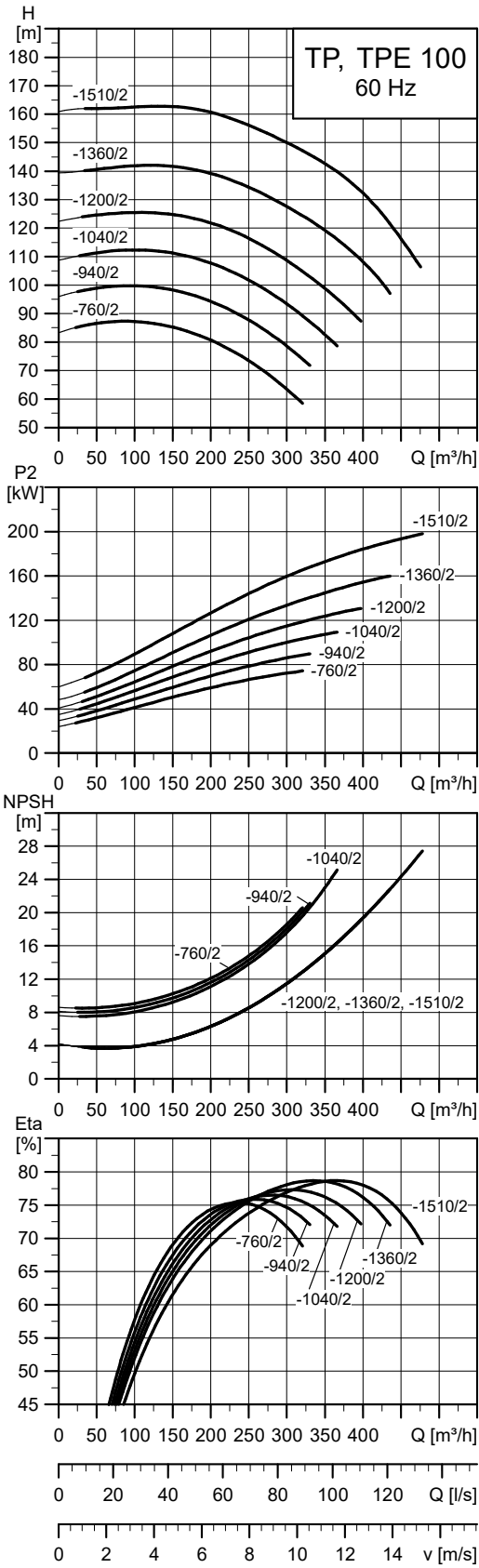
TM035349

Technical data

TP 100		-230/2	-300/2	-370/2	-350/2	-380/2	-530/2	-630/2	-700/2
TPD		•	•	•	•	•	•	•	•
TPE		•	•	•	•	•	-	-	-
TPED		-	-	-	-	-	-	-	-
Series		300	300	300	300	300	300	300	300
IEC size	1~ TP	-	-	-	-	-	-	-	-
	3~ TP	132	160	160	160	180	200	200	225
	1~ TPE	-	-	-	-	-	-	-	-
	3~ TPE	132	160	160	160	180	-	-	-
P2	1~/3~ TP [kW]	-7.5	-11	-15	-18.5	-22	-30	-37	-45
	1~/3~ TPE [kW]	-7.5	-11	-15	-18.5	-22	-	-	-
PN		PN 16	PN 16	PN 16	PN 16	PN 16	PN 16	PN 16	PN 16
T _{min} , T _{max}	[°C]	[-25;120]	[-25;120]	[-25;120]	[-25;120]	[-25;120]	[-25;120]	[-25;120]	[-25;120]
D1	[mm]	100	100	100	100	100	100	100	100
AC	1~/3~ TP [mm]	-260	-314	-314	-314	-314	-396	-396	-449
	1~/3~ TPE [mm]	-255	-255	-314	-314	-314	-	-	-
AD	1~/3~ TP [mm]	-159	-204	-204	-204	-204	-315	-315	-338
	1~/3~ TPE [mm]	-237	-237	-308	-308	-308	-	-	-
AE	1~/3~ TPE [mm]	173	173	210	210	210	-	-	-
AF	1~/3~ TPE [mm]	173	173	210	210	210	-	-	-
P	[mm]	300	350	350	350	350	400	400	450
B1	TP(E)/TPD [mm]	156/347	156/347	156/347	190/414	190/414	201/443	201/443	201/443
B2	TP(E)/TPD [mm]	124/332	124/332	124/332	151/395	151/395	173/429	173/429	173/429
B3	[mm]	400	400	400	470	470	500	500	500
C1	TP(E)/TPD [mm]	144/480	144/480	144/480	230/550	230/550	230/550	230/550	230/550
C5	TP(E)/TPD [mm]	250/104	250/104	250/104	275/110	275/110	275/110	275/110	275/110
C6	[mm]	175	175	175	230	230	230	230	230
L1	[mm]	500	500	500	550	550	550	550	550
H1	[mm]	140	140	140	140	140	140	140	140
H2	[mm]	245	275	275	270	270	307	307	337
H3	1~/3~ TP [mm]	-764	-886	-886	-925	-925	-1018	-1035	-1184
	1~/3~ TPE [mm]	-774	-821	-892	-892	-918	-	-	-
H4	[mm]	-	35	35	35	35	35	35	35
M	[mm]	M16	M16	M16	M16	M16	M16	M16	M16

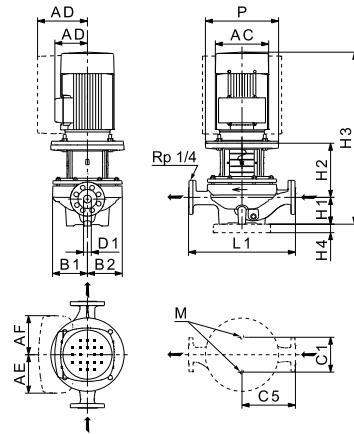
- TP, TPD pumps with 3-phase motors from 0.12 to 0.37 kW are fitted with IE2 motors, 0.55 to 55 kW with IE3 motors, 75 to 200 kW with IE4 motors and 250 kW and up with IE3 motors.
- TP, TPE pumps with a H4 dimension are delivered with a base plate.

TP, TPD, TPE 100-XX/2



Note: All QH-curves apply to single-head pumps. For further information, see section Curve conditions.

TM066595



TM035348

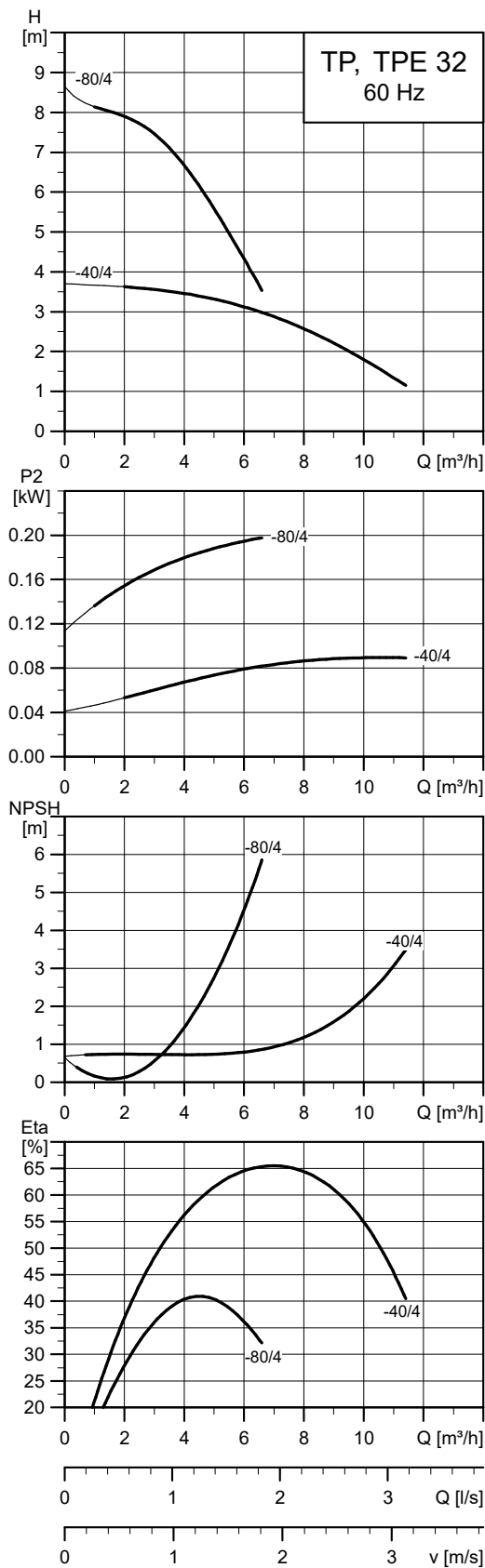
Technical data

TP 100		-760/2	-940/2	-1040/2	-1200/2	-1360/2	-1510/2	
TPD		-	-	-	-	-	-	
TPE		-	-	-	-	-	-	
TPED		-	-	-	-	-	-	
Series		300	300	300	300	300	300	
IEC size	1~ TP	-	-	-	-	-	-	
	3~ TP	280S	280M	315S	315M	315L	315L	
	1~ TPE	-	-	-	-	-	-	
	3~ TPE	-	-	-	-	-	-	
P2	1~/3~ TP [kW]	-/75	-/90	-/110	-/132	-/160	-/200	
	1~/3~ TPE [kW]	-	-	-	-	-	-	
PN		PN 25	PN 25	PN 25	PN 25	PN 25	PN 25	
T _{min} ; T _{max}		[°C]	[-40;150]	[-40;150]	[-40;150]	[-40;150]	[-40;150]	
D1		[mm]	100	100	100	100	100	
AC	1~/3~ TP [mm]		-/555	-/555	-/610	-/610	-/610	
	1~/3~ TPE [mm]		-	-	-	-	-	
AD	1~/3~ TP [mm]		-/432	-/432	-/495	-/495	-/495	
	1~/3~ TPE [mm]		-	-	-	-	-	
AE		[mm]	-	-	-	-	-	
AF		[mm]	-	-	-	-	-	
P		[mm]	550	550	660	660	660	658
B1		TP(E)/TPD [mm]	281/-	281/-	281/-	281/-	281/-	281/-
B2		TP(E)/TPD [mm]	246/-	246/-	246/-	246/-	246/-	246/-
B3		[mm]	-	-	-	-	-	-
C1		TP(E)/TPD [mm]	230	230	230	230	230	230
C5		TP(E)/TPD [mm]	335	335	335	335	335	335
C6		[mm]	-	-	-	-	-	-
L1		[mm]	670	670	670	670	670	670
H1		[mm]	175	175	175	175	175	175
H2		[mm]	338	338	366	366	366	366
H3	1~/3~ TP [mm]		-/1387	-/1387	-/1518	-/1603	-/1603	-/1728
	1~/3~ TPE [mm]		-	-	-	-	-	-
H4		[mm]	35	35	35	35	35	35
M		[mm]	M16	M16	M16	M16	M16	M16

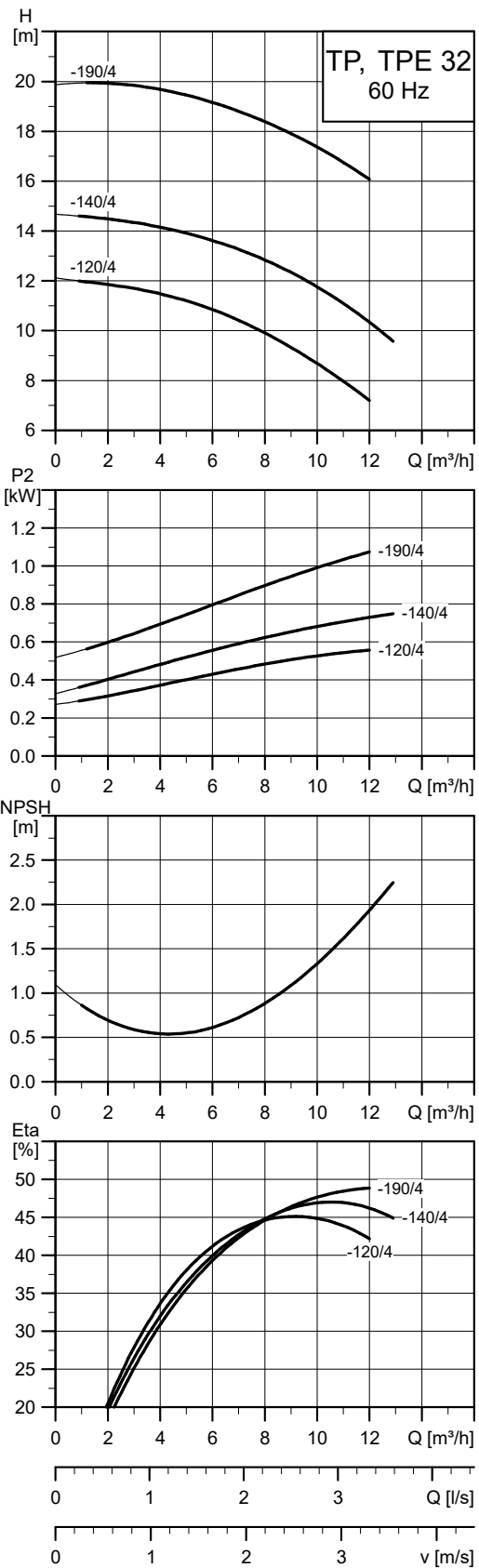
- TP, TPD pumps with 3-phase motors from 0.12 to 0.37 kW are fitted with IE2 motors, 0.55 to 55 kW with IE3 motors, 75 to 200 kW with IE4 motors and 250 kW and up with IE3 motors.
- TP, TPE pumps with a H4 dimension are delivered with a base plate.

TP, TPD, TPE, 4-pole, PN 6, 10, 16, 25

TP, TPD, TPE 32-XXX/4

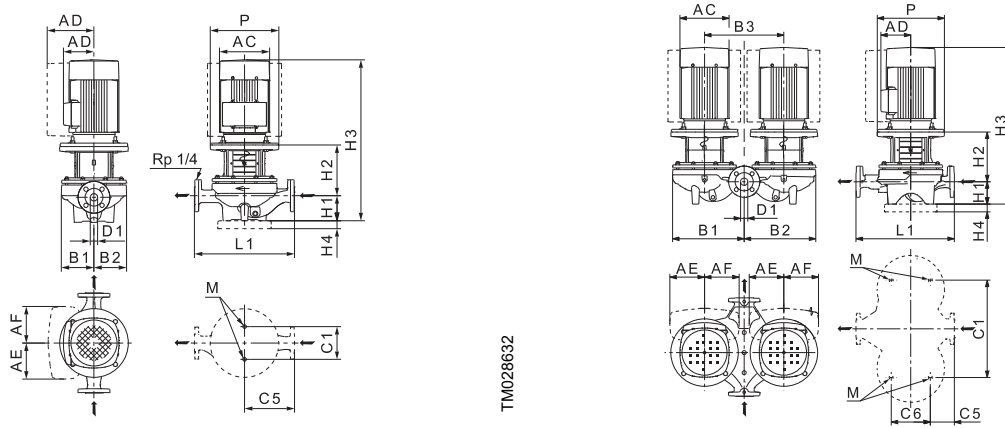


TM025046



TM025047

Note: All QH-curves apply to single-head pumps. For further information, see section Curve conditions.

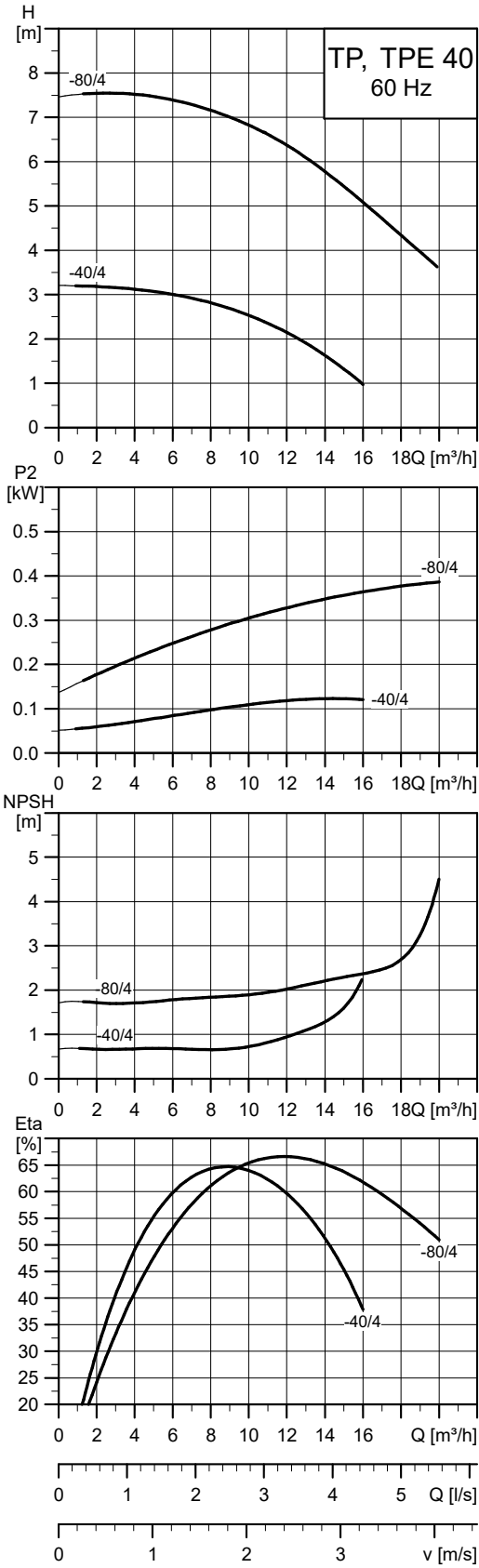


Technical data

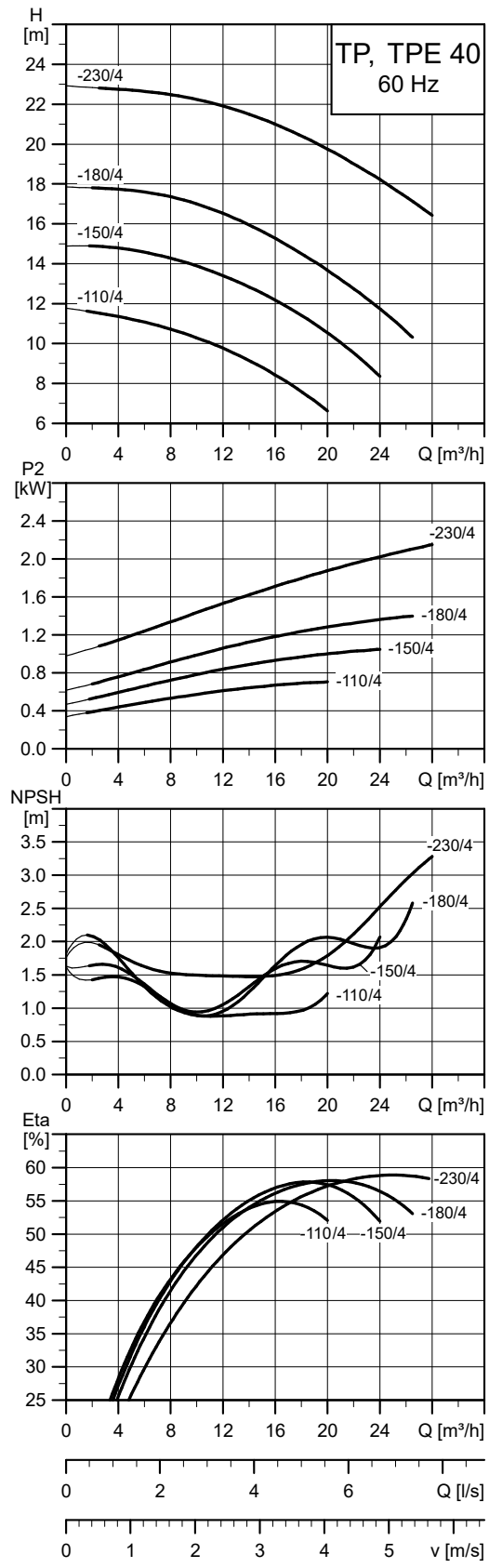
TP 32		-40/4	-80/4	-120/4	-140/4	-190/4
TPD		-	-	•	•	•
TPE		-	-	-	-	-
TPED		-	-	-	-	-
Series		200	200	300	300	300
IEC size	1~ TP	-	-	-	-	-
	3~ TP	71	71	80	80	90
	1~ TPE	-	-	-	-	-
	3~ TPE	-	-	-	-	-
P2	1~/3~ TP [kW]	-0.12	-0.25	-0.55	-0.75	-1.1
	1~/3~ TPE [kW]	-	-	-	-	-
PN		PN 6/10	PN 6/10	PN 16	PN 16	PN 16
T _{min} ; T _{max} [°C]		[-25;140]	[-25;140]	[-25;120]	[-25;120]	[-25;120]
D1 [mm]		32	32	32	32	32
AC [mm]	1~/3~ TP	-128	-125	-159	-159	-178
	1~/3~ TPE	-	-	-	-	-
AD [mm]	1~/3~ TP	-387	-395	-121	-121	-126
	1~/3~ TPE	-	-	-	-	-
AE [mm]		-	-	-	-	-
AF [mm]		-	-	-	-	-
P [mm]		-	-	200	200	200
B1 [mm]	TP(E)/TPD	75/-	102/-	144/321	144/321	144/321
B2 [mm]	TP(E)/TPD	75/-	102/-	144/321	144/321	144/321
B3 [mm]		-	-	355	355	355
C1 [mm]		80/-	80/-	144/435	144/435	144/435
C5 [mm]		110	140	220/46	220/46	220/46
C6 [mm]		-	-	175	175	175
L1 [mm]		220	280	440	440	440
H1 [mm]		68	79	100	100	100
H2 [mm]		142	137	156	156	156
H3 [mm]	1~/3~ TP	-401	-407	-508	-543	-553
	1~/3~ TPE	-	-	-	-	-
H4 [mm]		-	-	-	-	-
M [mm]		M12	M12	M16	M16	M16

- TP, TPD pumps with 3-phase motors from 0.12 to 0.37 kW are fitted with IE2 motors, 0.55 to 55 kW with IE3 motors, 75 to 200 kW with IE4 motors and 250 kW and up with IE3 motors.
- TP, TPE pumps with a H4 dimension are delivered with a base plate.

TP, TPD, TPE 40-XXX/4

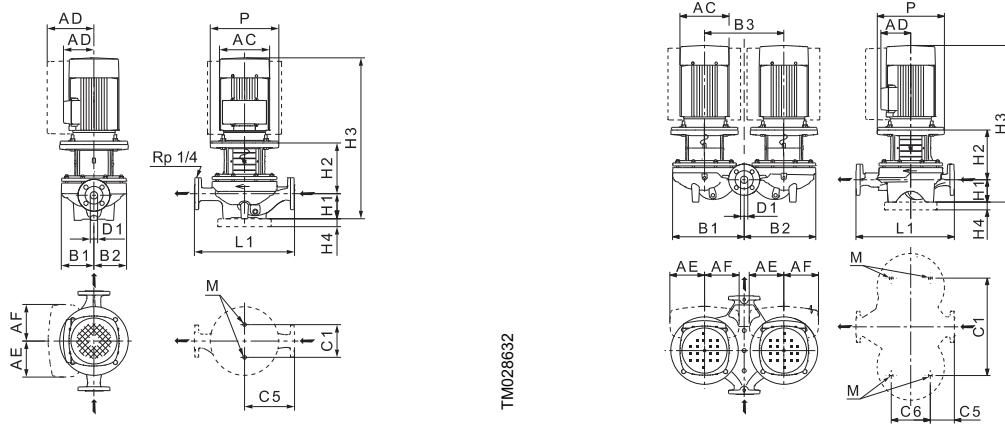


TM025048



TM025049

Note: All QH-curves apply to single-head pumps. For further information, see section Curve conditions.



TM028632

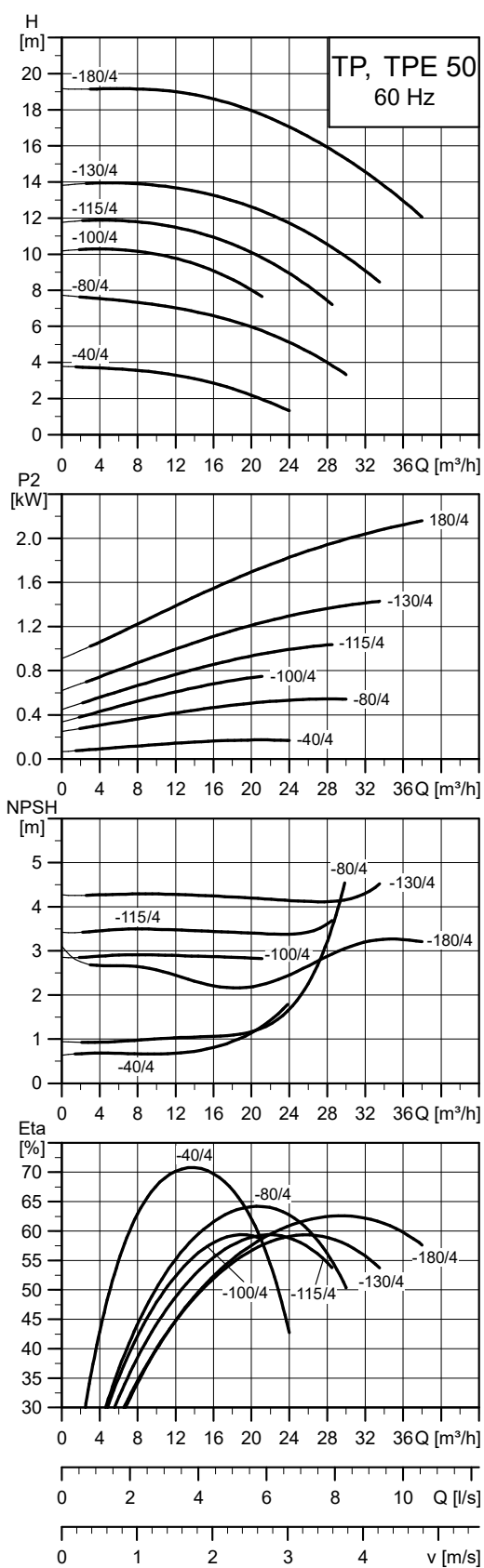
TM028631

Technical data

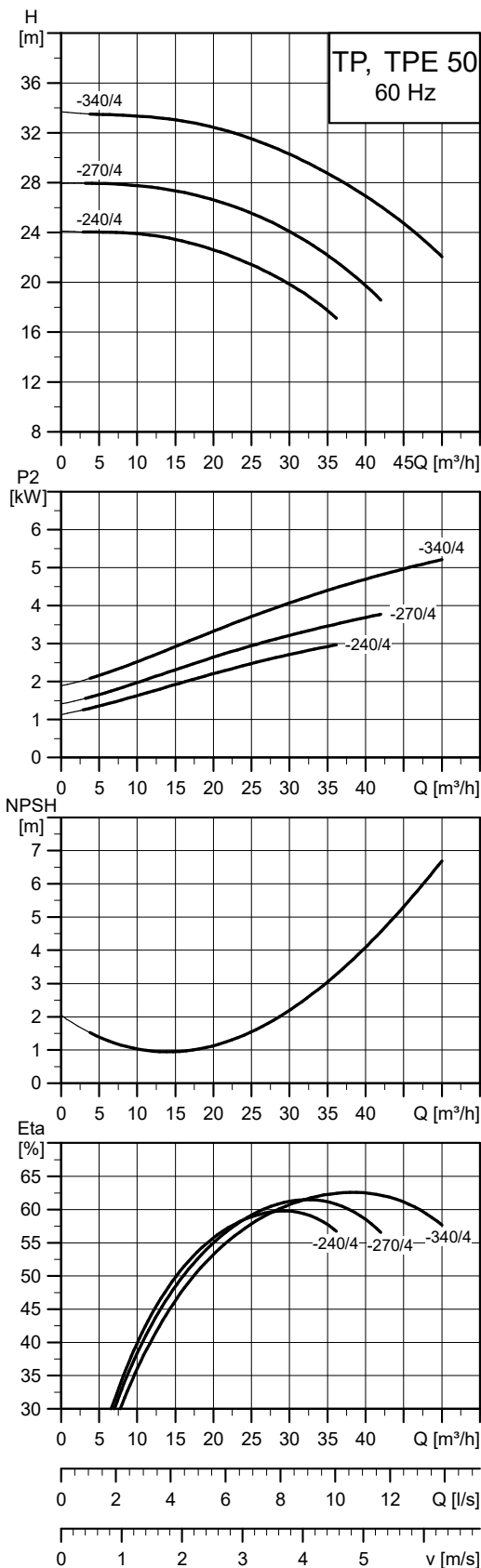
TP 40		-40/4	-80/4	-110/4	-150/4	-180/4	-230/4
TPD		-	-	•	•	•	•
TPE		-	-	•	-	-	-
TPED		-	-	-	-	-	-
Series		200	200	300	300	300	300
IEC size	1~ TP	-	-	-	-	-	-
	3~ TP	71	80	80	90	90	100
	1~ TPE	-	-	-	-	-	-
	3~ TPE	-	-	80	-	-	-
P2	1~3~ TP [kW]	-0.25	-0.55	-0.75	-1.1	-1.5	-2.2
	1~3~ TPE [kW]	-	-	-	-	-	-
PN		PN 6/10	PN 6/10	PN 16	PN 16	PN 16	PN 16
T _{min} , T _{max}		[°C]	[-25;140]	[-25;140]	[-25;120]	[-25;120]	[-25;120]
D1		[mm]	40	40	40	40	40
AC	1~3~ TP [mm]	-142	-159	-159	-178	-178	-198
	1~3~ TPE [mm]	-	-	-	-	-	-
AD	1~3~ TP [mm]	-109	-121	-121	-126	-126	-166
	1~3~ TPE [mm]	-	-	-	-	-	-
AE		1~3~ TPE [mm]	-	-	-	-	-
AF		1~3~ TPE [mm]	-	-	-	-	-
P		[mm]	-	-	200	200	250
B1		TP(E)/TPD [mm]	85/-	100/-	150/325	150/325	150/325
B2		TP(E)/TPD [mm]	75/-	100/-	147/325	147/325	147/325
B3		[mm]	-	-	355	355	355
C1		TP(E)/TPD [mm]	120/-	120/-	144/435	144/435	144/435
C5		TP(E)/TPD [mm]	125	125	220/108	220/108	220/108
C6		[mm]	-	-	175	175	175
L1		[mm]	250	250	440	440	440
H1		[mm]	67	75	110	110	110
H2		[mm]	132	135	156	156	184
H3	1~3~ TP [mm]	-390	-462	-553	-563	-603	-664.5
	1~3~ TPE [mm]	-	-	-	-	-	-
H4		[mm]	-	-	-	-	-
M		[mm]	M12	M12	M16	M16	M16

- TP, TPD pumps with 3-phase motors from 0.12 to 0.37 kW are fitted with IE2 motors, 0.55 to 55 kW with IE3 motors, 75 to 200 kW with IE4 motors and 250 kW and up with IE3 motors.
- TP, TPE pumps with a H4 dimension are delivered with a base plate.

TP, TPD, TPE 50-XXX/4

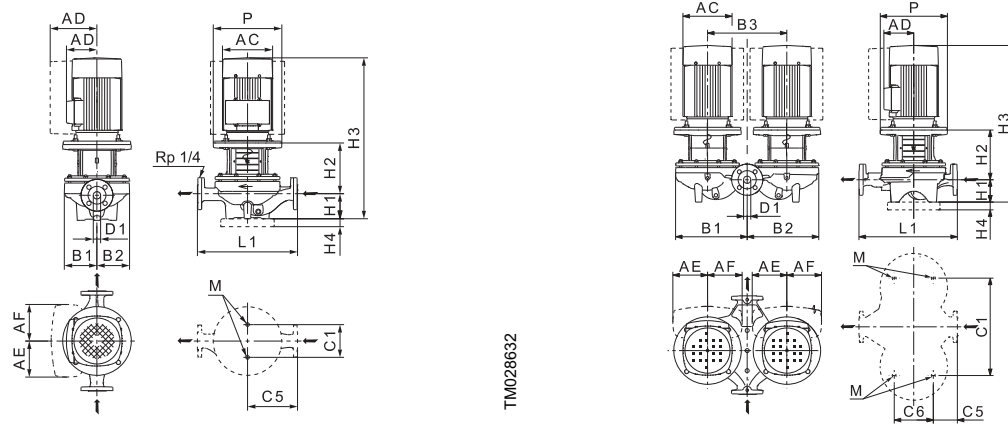


TM025050



TM025051

Note: All QH-curves apply to single-head pumps. For further information, see section Curve conditions.



TM028632

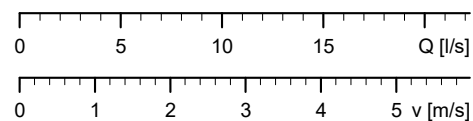
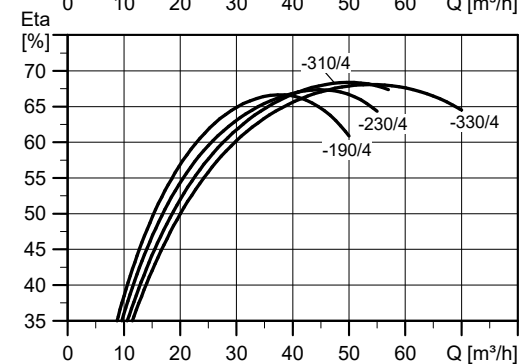
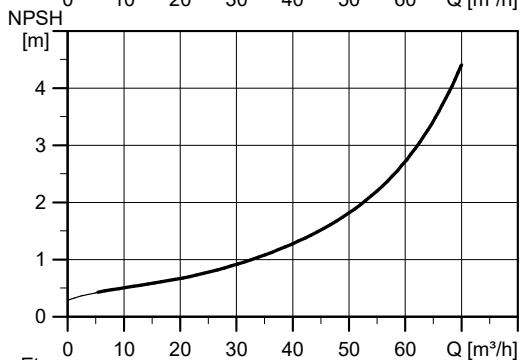
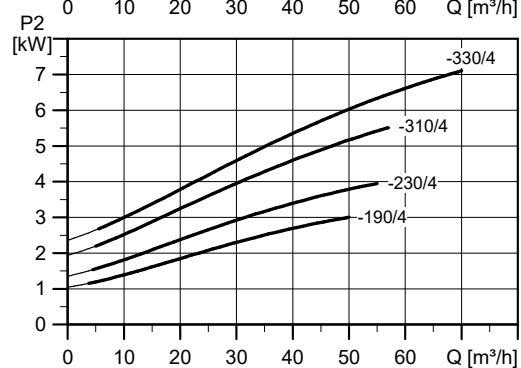
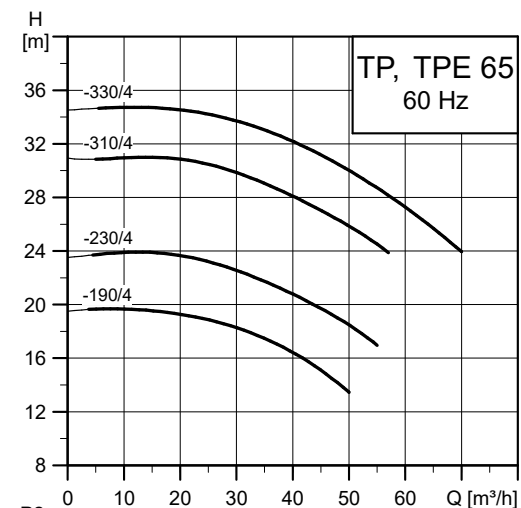
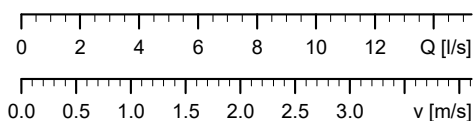
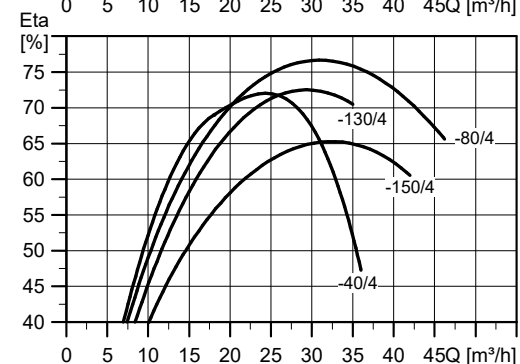
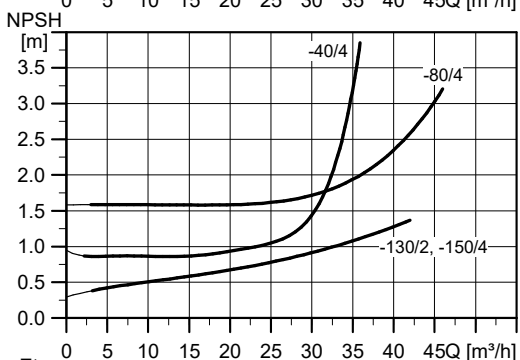
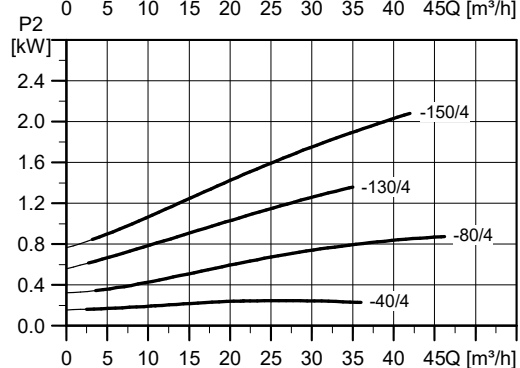
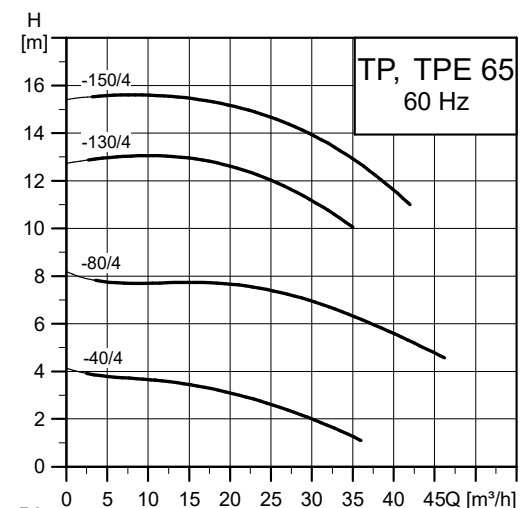
TM028631

Technical data

TP 50		-40/4	-80/4	-100/4	-115/4	-130/4	-180/4	-240/4	-270/4	-340/4
TPD		-	-	•	•	•	•	•	•	•
TPE		-	-	-	-	-	-	•	•	•
TPED		-	-	-	-	-	-	-	-	-
Series		200	200	300	300	300	300	300	300	300
IEC size	1~ TP	-	-	-	-	-	-	-	-	-
	3~ TP	71	80	80	90	90	100	100	112	132
	1~ TPE	-	-	-	-	-	-	-	-	-
	3~ TPE	-	-	-	-	-	-	100	112	132
P2	1~/3~ TP [kW]	-/0.25	-/0.55	-/0.75	-/1.1	-/1.5	-/2.2	-/3	-/4	-/5.5
	1~/3~ TPE [kW]	-	-	-	-	-	-	-/3	-/4	-/5.5
PN		PN 6/10	PN 6/10	PN 16	PN 16	PN 16	PN 16	PN 16	PN 16	PN 16
T _{min} , T _{max}		[°C]	[-25;140]	[-25;140]	[-25;120]	[-25;120]	[-25;120]	[-25;120]	[-25;120]	[-25;120]
D1		[mm]	50	50	50	50	50	50	50	50
AC	1~/3~ TP [mm]	-/142	-/159	-/159	-/178	-/178	-/198	-/198	-/222	-/262
	1~/3~ TPE [mm]	-	-	-	-	-	-	-/191	-/191	-/255
AD	1~/3~ TP [mm]	-/109	-/121	-/121	-/126	-/126	-/166	-/166	-/177	-/177
	1~/3~ TPE [mm]	-	-	-	-	-	-	-/201	-/201	-/237
AE	1~/3~ TPE [mm]	-	-	-	-	-	-	146	146	173
AF	1~/3~ TPE [mm]	-	-	-	-	-	-	146	146	173
P		[mm]	-	-	200	200	200	250	250	300
B1	TP(E)/TPD [mm]	90/-	110/-	162/373	162/373	162/373	162/373	180/386	180/386	180/386
B2	TP(E)/TPD [mm]	75/-	100/-	162/373	162/373	162/373	162/373	164/379	164/379	164/379
B3		[mm]	-	-	420	420	420	420	420	420
C1	TP(E)/TPD [mm]	120/-	120/-	144/500	144/500	144/500	144/500	144/500	144/500	144/500
C5	TP(E)/TPD [mm]	140	140	220/123	220/123	220/123	220/123	220/123	220/123	220/123
C6		[mm]	-	-	175	175	175	175	175	175
L1		[mm]	280	280	440	440	440	440	440	440
H1		[mm]	82	82	115	115	115	115	115	115
H2		[mm]	136	140	160	160	167	188	195	234
H3	1~/3~ TP [mm]	-/409	-/474	-/562	-/572	-/619	-/673.5	-/680.5	-/664	-/784
	1~/3~ TPE [mm]	-	-	-	-	-	-	-/644	-/644	-/738
H4		[mm]	-	-	-	-	-	-	-	-
M		[mm]	M12	M12	M16	M16	M16	M16	M16	M16

- TP, TPD pumps with 3-phase motors from 0.12 to 0.37 kW are fitted with IE2 motors, 0.55 to 55 kW with IE3 motors, 75 to 200 kW with IE4 motors and 250 kW and up with IE3 motors.
- TP, TPE pumps with a H4 dimension are delivered with a base plate.

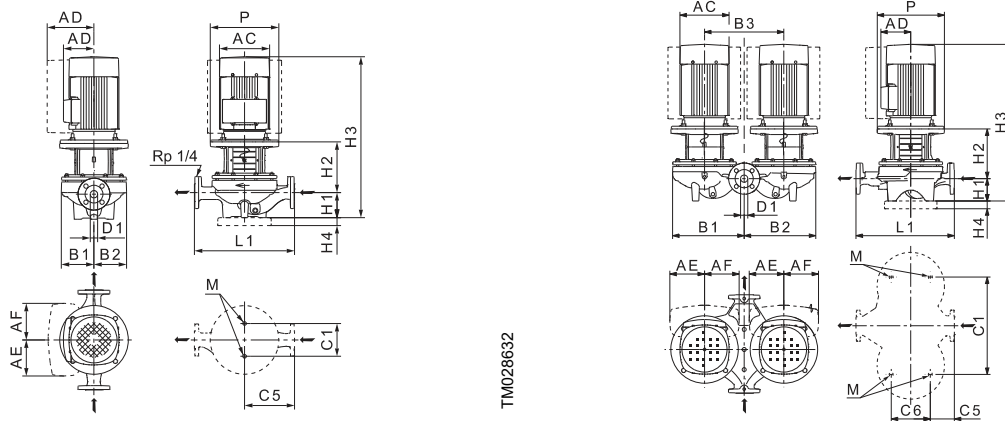
TP, TPD, TPE 65-XXX/4



TM025052

TM025053

Note: All QH-curves apply to single-head pumps. For further information, see section Curve conditions.

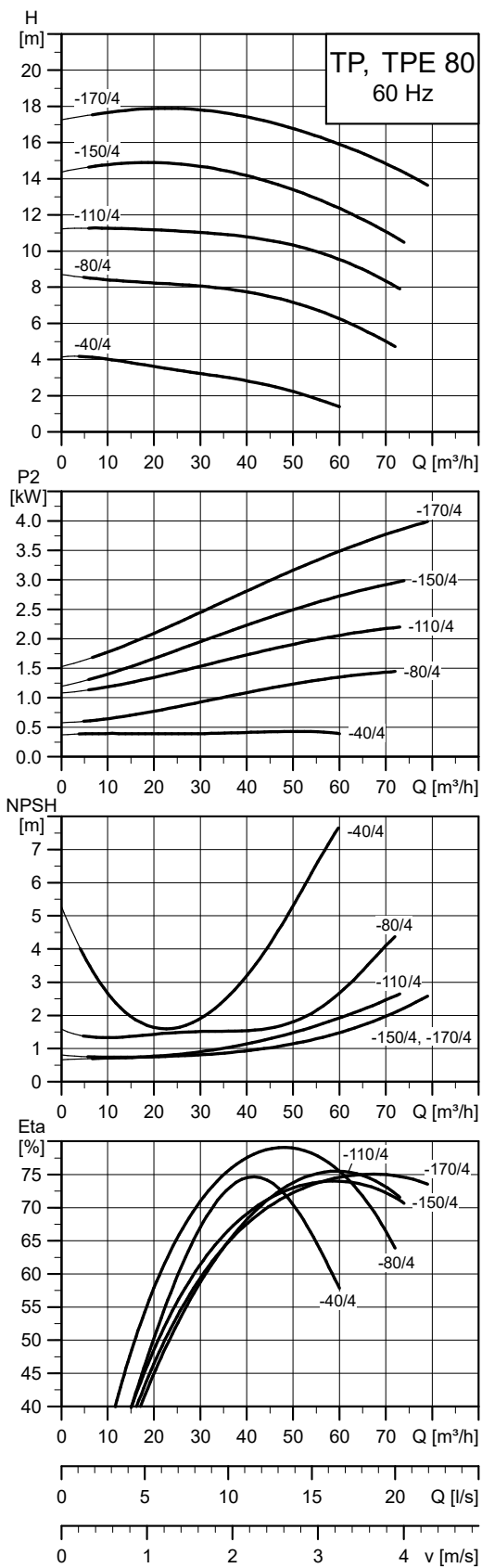


Technical data

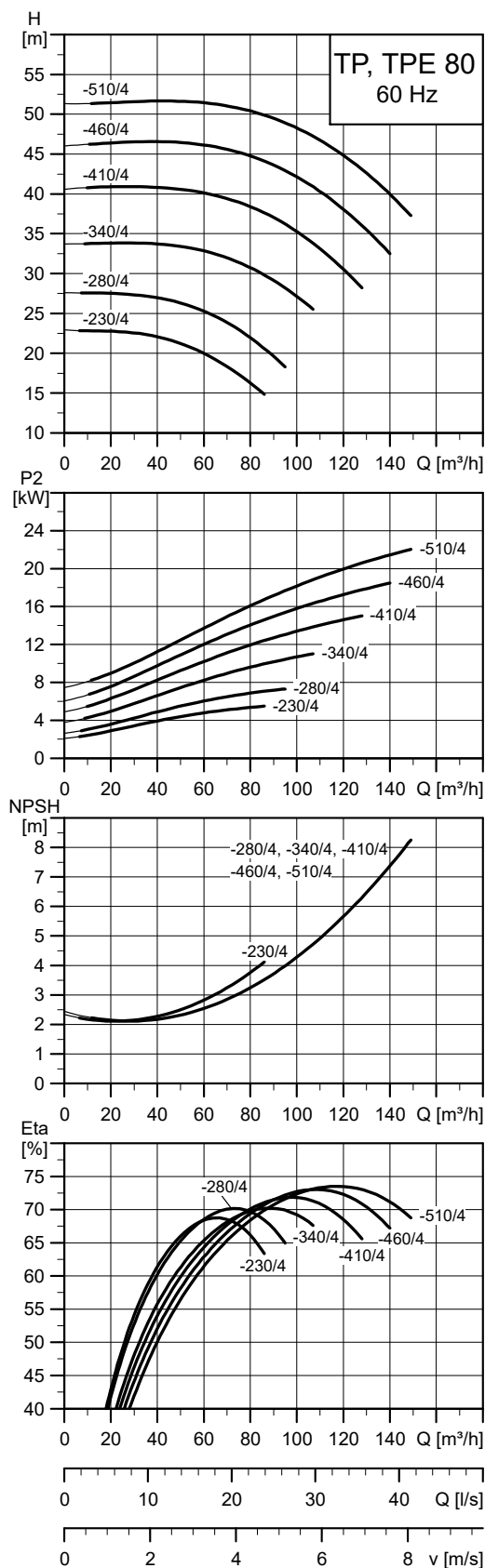
TP 65		-40/4	-80/4	-130/4	-150/4	-190/4	-230/4	-310/4	-330/4
TPD		-	-	•	•	•	•	•	•
TPE		-	-	-	-	•	•	•	•
TPED		-	-	-	-	-	-	-	-
Series		200	200	300	300	300	300	300	300
IEC size	1~ TP	-	-	-	-	-	-	-	-
	3~ TP	71	90	90	100	100	112	132	132
	1~ TPE	-	-	-	-	-	-	-	-
	3~ TPE	-	-	-	-	100	112	132	160
P2	1~/3~ TP [kW]	-0.37	-1.1	-1.5	-2.2	-3	-4	-5.5	-7.5
	1~/3~ TPE [kW]	-	-	-	-	-3	-4	-5.5	-7.5
PN		PN 6/10	PN 6/10	PN 16	PN 16	PN 16	PN 16	PN 16	PN 16
T _{min} ; T _{max}		[°C]	[-25;140]	[-25;140]	[-25;120]	[-25;120]	[-25;120]	[-25;120]	[-25;120]
D1		[mm]	65	65	65	65	65	65	65
AC	1~/3~ TP [mm]	-142	-178	-178	-198	-198	-222	-262	-262
	1~/3~ TPE [mm]	-	-	-	-	-191	-191	-255	-255
AD	1~/3~ TP [mm]	-125	-126	-126	-166	-166	-177	-202	-202
	1~/3~ TPE [mm]	-	-	-	-	-201	-201	-237	-237
AE	1~/3~ TPE [mm]	-	-	-	-	146	146	173	173
AF	1~/3~ TPE [mm]	-	-	-	-	146	146	173	173
P		[mm]	-	200	250	250	250	300	300
B1	TP(E)/TPD [mm]	125/-	125/-	178/349	178/349	178/349	178/349	178/349	178/349
B2	TP(E)/TPD [mm]	100/-	100/-	164/383	164/383	164/383	164/383	164/383	164/383
B3		[mm]	-	440	440	440	440	440	440
C1	TP(E)/TPD [mm]	160/-	160/-	144/520	144/520	144/520	144/520	144/520	144/520
C5		TP(E)/TPD [mm]	170	170	238/111	238/111	238/111	238/111	238/111
C6		[mm]	-	175	175	175	175	175	175
L1		[mm]	340	340	475	475	475	475	475
H1		[mm]	97	97	125	125	125	125	125
H2		[mm]	136	158	166	194	194	233	233
H3	1~/3~ TP [mm]	-424	-552	-628	-689.5	-689.5	-673	-793	-793
	1~/3~ TPE [mm]	-	-	-	-	-653	-653	-747	-747
H4		[mm]	-	-	-	-	-	-	35
M		[mm]	M16	M16	M16	M16	M16	M16	M16

- TP, TPD pumps with 3-phase motors from 0.12 to 0.37 kW are fitted with IE2 motors, 0.55 to 55 kW with IE3 motors, 75 to 200 kW with IE4 motors and 250 kW and up with IE3 motors.
- TP, TPE pumps with a H4 dimension are delivered with a base plate.

TP, TPD, TPE 80-XXX/4

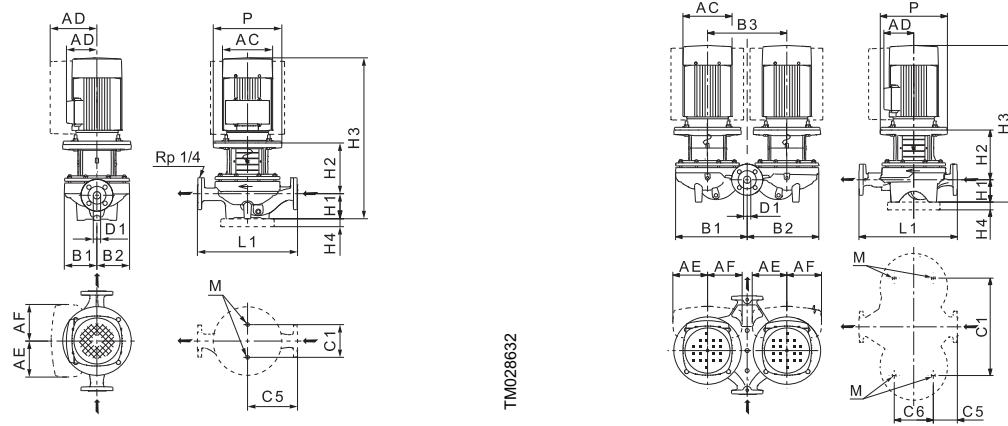


TM025054



TM028772

Note: All QH-curves apply to single-head pumps. For further information, see section Curve conditions.



TM028632

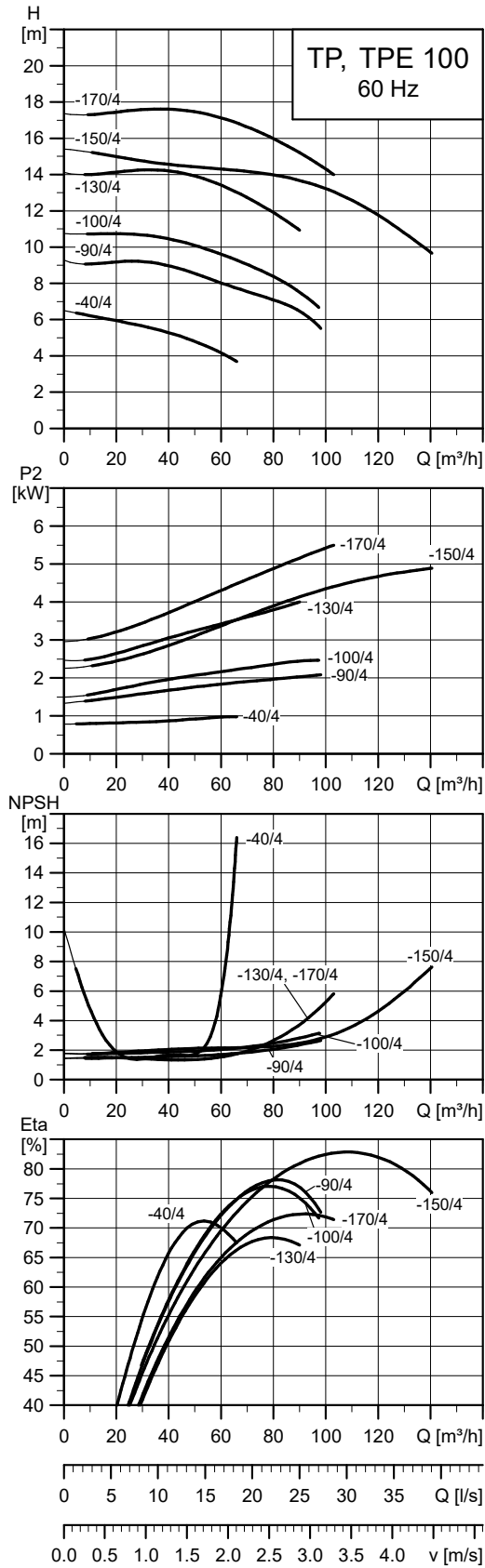
TM028631

Technical data

TP 80		-40/4	-80/4	-110/4	-150/4	-170/4	-230/4	-280/4	-340/4	-410/4	-460/4	-510/4
TPD		-	-	•	•	•	•	•	•	•	•	•
TPE		-	-	-	•	•	•	•	•	•	•	-
TPED		-	-	-	-	-	-	-	-	-	-	-
Series		200	200	300	300	300	300	300	300	300	300	300
IEC size	1~ TP	-	-	-	-	-	-	-	-	-	-	-
	3~ TP	80	90	100	100	112	132	132	160	160	180	180
	1~ TPE	-	-	-	-	-	-	-	-	-	-	-
	3~ TPE	-	-	-	112	112	132	160	160	160	180	-
P2	1~3~ TP [kW]	-0.75	-1.5	-2.2	-3	-4	-5.5	-7.5	-11	-15	-18.5	-22
	1~3~ TPE [kW]	-	-	-	-3	-4	-5.5	-7.5	-11	-15	-18.5	-
PN		PN 6/10	PN 6/10	PN 16	PN 16	PN 16	PN 16	PN 16	PN 16	PN 16	PN 16	PN 16
T _{min} , T _{max}	[°C]	[-25;140]	[-25;140]	[-25;120]	[-25;120]	[-25;120]	[-25;120]	[-25;120]	[-25;120]	[-25;120]	[-25;120]	[-25;120]
D1	[mm]	80	80	80	80	80	80	80	80	80	80	80
AC	1~3~ TP [mm]	-159	-178	-198	-198	-222	-262	-262	-314	-314	-368	-368
	1~3~ TPE [mm]	-	-	-	-191	-191	-255	-255	-314	-314	-314	-
AD	1~3~ TP [mm]	-110	-135	-120	-120	-134	-167	-159	-204	-204	-286	-268
	1~3~ TPE [mm]	-	-	-	-201	-201	-237	-237	-308	-308	-308	-
AE	1~3~ TPE [mm]	-	-	-	146	146	173	173	210	210	210	-
AF	1~3~ TPE [mm]	-	-	-	146	146	173	173	210	210	210	-
P	[mm]	115	-	250	250	250	300	300	350	350	350	350
B1	TP(E)/TPD [mm]	130/-	135/-	176/366	187/416	187/416	243/491	243/491	243/491	243/491	243/491	243/491
B2	TP(E)/TPD [mm]	100/-	100/-	144/354	162/405	162/405	226/480	226/480	226/480	226/480	226/480	226/480
B3	[mm]	-	-	400	470	470	470	470	470	470	470	470
C1	TP(E)/TPD [mm]	160/-	160/-	144/480	144/550	144/550	230/550	230/550	230/550	230/550	230/550	230/550
C5	TP(E)/TPD [mm]	180	180	220/93	250/133	250/133	310/105	310/105	310/105	310/105	310/105	310/105
C6	[mm]	-	-	175	175	175	350	350	350	350	350	350
L1	[mm]	360	360	440	500	500	620	620	620	620	620	620
H1	[mm]	107	107	115	115	115	140	140	140	140	140	140
H2	[mm]	175	164	204	204	204	273	273	303	303	303	303
H3	1~3~ TP [mm]	-569	-608	-689.5	-689.5	-673	-848	-848	-937	-997	-958	-1049
	1~3~ TPE [mm]	-	-	-	-654	-654	-802	-802	-925	-925	-995	-
H4	[mm]	-	-	-	-	-	-	35	35	35	35	35
M	[mm]	M16	M16	M16	M16	M16	M16	M16	M16	M16	M16	M16

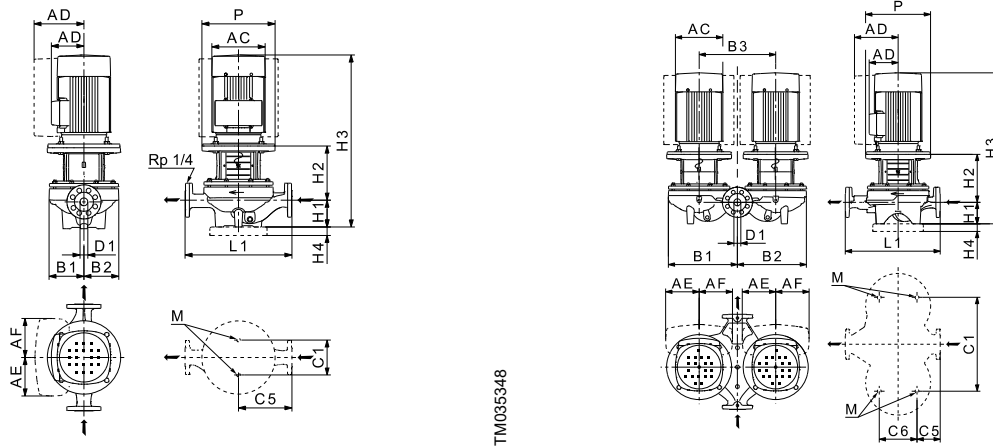
- TP, TPD pumps with 3-phase motors from 0.12 to 0.37 kW are fitted with IE2 motors, 0.55 to 55 kW with IE3 motors, 75 to 200 kW with IE4 motors and 250 kW and up with IE3 motors.
- TP, TPE pumps with a H4 dimension are delivered with a base plate.

TP, TPD, TPE 100-XXX/4



Note: All QH-curves apply to single-head pumps. For further information, see section Curve conditions.

TM025055



TM035348

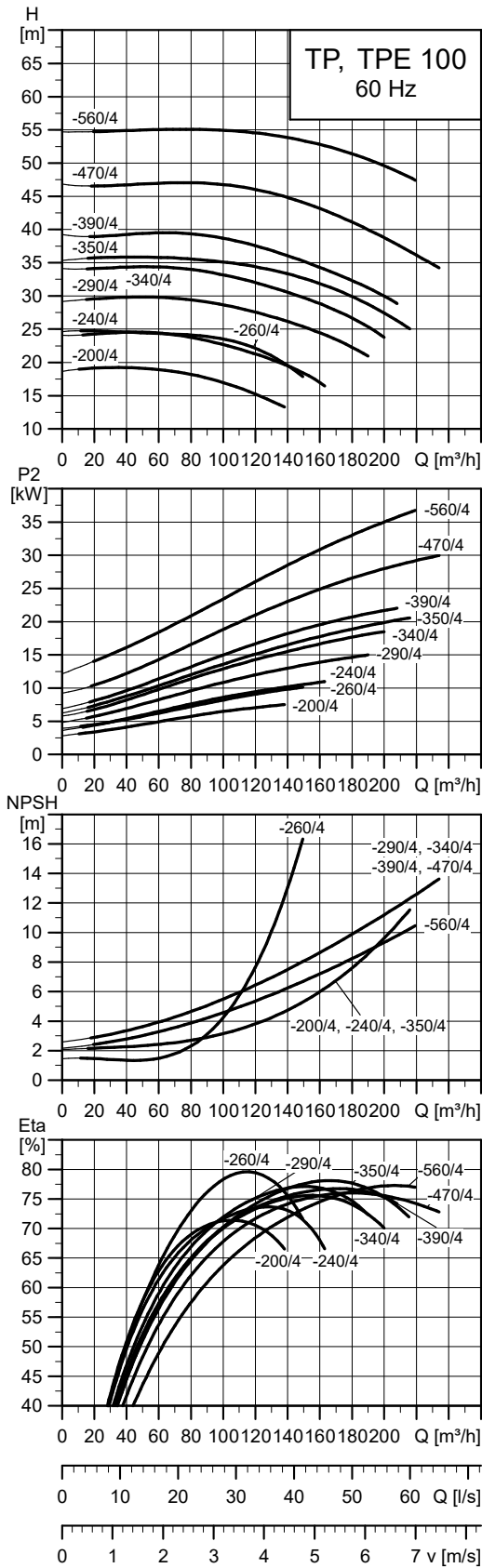
TM035349

Technical data

TP 100		-40/4	-90/4	-100/4	-130/4	-150/4	-170/4
TPD		-	•	•	•	•	•
TPE		-	•	•	•	•	•
TPED		-	-	-	-	-	-
Series		200	300	300	300	300	300
IEC size	1~ TP	-	-	-	-	-	-
	3~ TP	90	100	100	112	132	132
	1~ TPE	-	-	-	-	-	-
	3~ TPE	-	-	112	112	113	132
P2	1~3~ TP [kW]	-1.1	-2.2	-3	-4	-5.5	-5.5
	1~3~ TPE [kW]	-	-	-3	-4	-5.5	-5.5
PN		PN 6/10	PN 16	PN 16	PN 16	PN 16	PN 16
T _{min} ; T _{max}		[°C]	[-25;140]	[-25;120]	[-25;120]	[-25;120]	[-25;120]
D1		[mm]	100	100	100	100	100
AC	1~3~ TP [mm]	-178	-198	-198	-222	-262	-262
	1~3~ TPE [mm]	-	-	-191	-191	-255	-255
AD	1~3~ TP [mm]	-126	-166	-166	-177	-202	-202
	1~3~ TPE [mm]	-	-	-201	-201	-237	-237
AE	1~3~ TPE [mm]	-	-	146	146	173	173
AF	1~3~ TPE [mm]	-	-	146	146	173	173
P		[mm]	-	250	250	300	300
B1	TP(E)/TPD [mm]	174/-	190/414	190/414	201/443	190/414	201/443
B2	TP(E)/TPD [mm]	120/-	151/395	151/395	173/429	151/395	173/429
B3		[mm]	-	470	470	500	500
C1		TP(E)/TPD [mm]	200/-	230/550	230/550	230/550	230/550
C5		TP(E)/TPD [mm]	225	275/110	275/110	275/110	275/110
C6		[mm]	-	-	230	230	230
L1		[mm]	450	550	550	550	550
H1		[mm]	122	140	140	140	140
H2		[mm]	183	201	201	261	277
H3	1~3~ TP [mm]	-/602	-/711.5	-/711.5	-/755	-/815	-/852
	1~3~ TPE [mm]	-	-/675	-/675	-/731	-/769	-/806
H4		[mm]	-	-	-	-	-
M		[mm]	M16	M16	M16	M16	M16

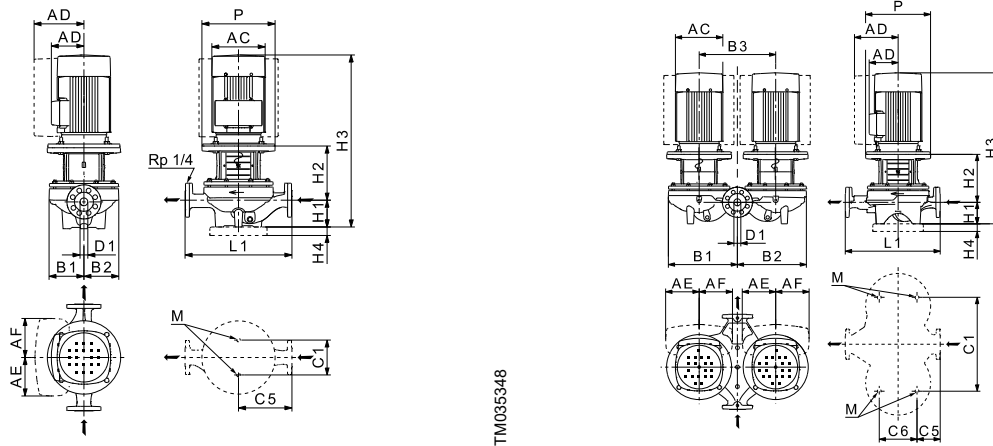
- TP, TPD pumps with 3-phase motors from 0.12 to 0.37 kW are fitted with IE2 motors, 0.55 to 55 kW with IE3 motors, 75 to 200 kW with IE4 motors and 250 kW and up with IE3 motors.
- TP, TPE pumps with a H4 dimension are delivered with a base plate.

TP, TPD, TPE 100-XXX/4



Note: All QH curves apply to single-head pumps. For further information, see section Curve conditions.

TM028773



TM035348

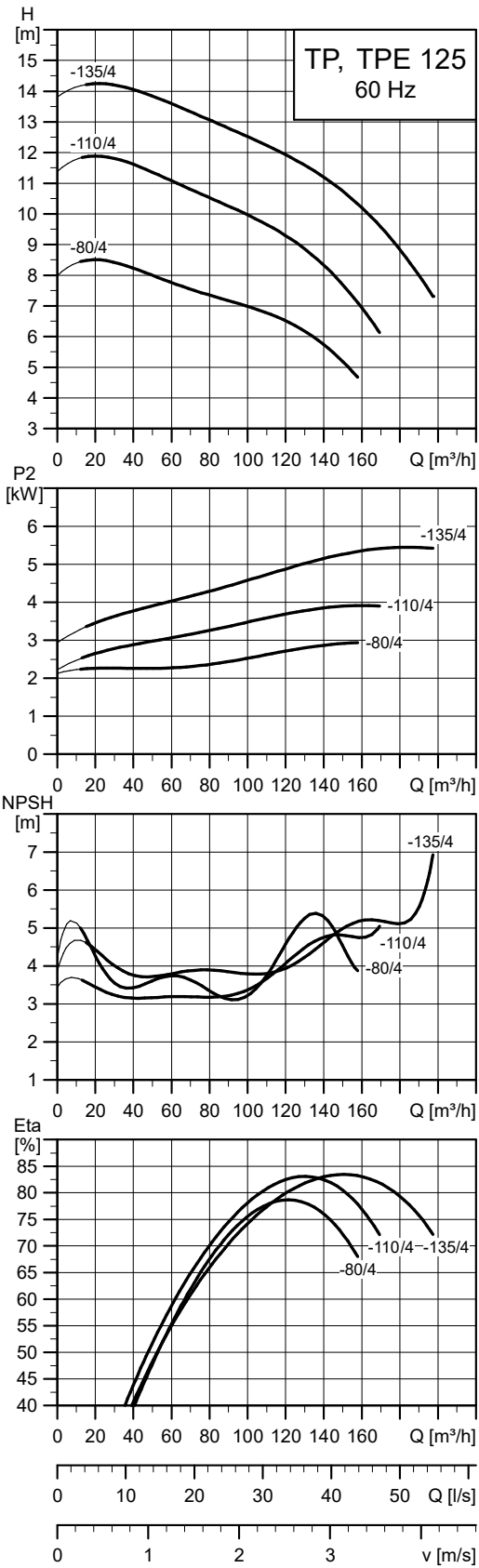
TM035349

Technical data

TP 100		-200/4	-240/4	-260/4	-290/4	-340/4	-350/4	-390/4	-470/4	-560/4
TPD		•	•	•	•	•	•	•	•	-
TPE		•	•	•	•	-	-	-	-	-
TPED		-	-	-	-	-	-	-	-	-
Series		300	300	300	300	300	300	300	300	300
IEC size	1~ TP	-	-	-	-	-	-	-	-	-
	3~ TP	132	160	160	160	180	160	180	200	225S
	1~ TPE	-	-	-	-	-	-	-	-	-
	3~ TPE	160	160	161	160	180	-	-	-	-
P2	1~/3~ TP [kW]	-7.5	-11	-11	-15	-18.5	-22	-22	-30	-37
	1~/3~ TPE [kW]	-7.5	-11	-11	-15	-18.5	-	-	-	-
PN		PN16/25	PN16/25	PN 16	PN16/25	PN16/25	PN 16	PN16/25	PN16/25	PN 25
T _{min} ; T _{max}		[°C] [-40;150]	[°C] [-40;150]	[°C] [-25;120]	[°C] [-40;150]	[°C] [-40;150]	[°C] [-25;120]	[°C] [-40;150]	[°C] [-40;150]	[°C] [-40;150]
D1		[mm] 100	[mm] 100	[mm] 100	[mm] 100	[mm] 100	[mm] 100	[mm] 100	[mm] 100	[mm] 100
AC	1~/3~ TP [mm]	-262	-314	-314	-314	-368	-363	-368	-408	-442
	1~/3~ TPE [mm]	-255	-314	-314	-314	-314	-	-	-	-
AD	1~/3~ TP [mm]	-202	-236.5	-236.5	-236.5	-286	-262	-286	-315	-325
	1~/3~ TPE [mm]	-237	-308	-308	-308	-308	-	-	-	-
AE	1~/3~ TPE [mm]	173	210	210	210	210	-	-	-	-
AF	1~/3~ TPE [mm]	173	210	210	210	210	-	-	-	-
P		[mm] 300	[mm] 350	[mm] 350	[mm] 350	[mm] 350	[mm] 350	[mm] 350	[mm] 400	[mm] 450
B1	TP(E)/TPD [mm]	290/579	290/579	201/443	290/579	290/579	290/579	290/579	290/579	281/-
B2	TP(E)/TPD [mm]	249/561	249/561	173/429	249/561	249/561	249/561	249/561	249/561	246/-
B3		[mm] 600	[mm] 600	[mm] 500	[mm] 600	[mm] 600	[mm] 600	[mm] 600	[mm] 600	-
C1		TP(E)/TPD [mm] 230/680	TP(E)/TPD [mm] 230/680	TP(E)/TPD [mm] 230/550	TP(E)/TPD [mm] 230/680	TP(E)/TPD [mm] 230/680	TP(E)/TPD [mm] 230/680	TP(E)/TPD [mm] 230/680	TP(E)/TPD [mm] 230/680	TP(E)/TPD [mm] 230
C5		TP(E)/TPD [mm] 335/110	TP(E)/TPD [mm] 335/110	TP(E)/TPD [mm] 275/110	TP(E)/TPD [mm] 335/110	TP(E)/TPD [mm] 335/110	TP(E)/TPD [mm] 335/110	TP(E)/TPD [mm] 335/110	TP(E)/TPD [mm] 335/110	TP(E)/TPD [mm] 335
C6		[mm] 350	[mm] 350	[mm] 230	[mm] 350	[mm] 350	[mm] 350	[mm] 350	[mm] 350	-
L1		[mm] 670	[mm] 670	[mm] 550	[mm] 670	[mm] 670	[mm] 670	[mm] 670	[mm] 670	[mm] 670
H1		[mm] 175	[mm] 175	[mm] 140	[mm] 175	[mm] 175	[mm] 175	[mm] 175	[mm] 175	[mm] 175
H2		[mm] 254	[mm] 308	[mm] 307	[mm] 308	[mm] 308	[mm] 308	[mm] 308	[mm] 308	[mm] 313
H3	1~/3~ TP [mm]	-864	-977	-941	-1037	-998	-1093	-1079	-1128	-1150
	1~/3~ TPE [mm]	-842	-965	-929	-965	-1035	-	-	-	-
H4		[mm] -	[mm] 35	[mm] 35	[mm] 35	[mm] 35	[mm] 35	[mm] 35	[mm] 35	[mm] 35
M		[mm] M16	[mm] M16	[mm] M16	[mm] M16	[mm] M16	[mm] M16	[mm] M16	[mm] M16	[mm] M16

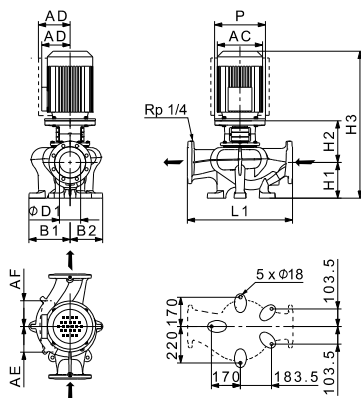
- TP, TPD pumps with 3-phase motors from 0.12 to 0.37 kW are fitted with IE2 motors, 0.55 to 55 kW with IE3 motors, 75 to 200 kW with IE4 motors and 250 kW and up with IE3 motors.
- TP, TPE pumps with a H4 dimension are delivered with a base plate.

TP, TPD, TPE 125-XXX/4



Note: All QH-curves apply to single-head pumps. For further information, see section Curve conditions.

TM063651



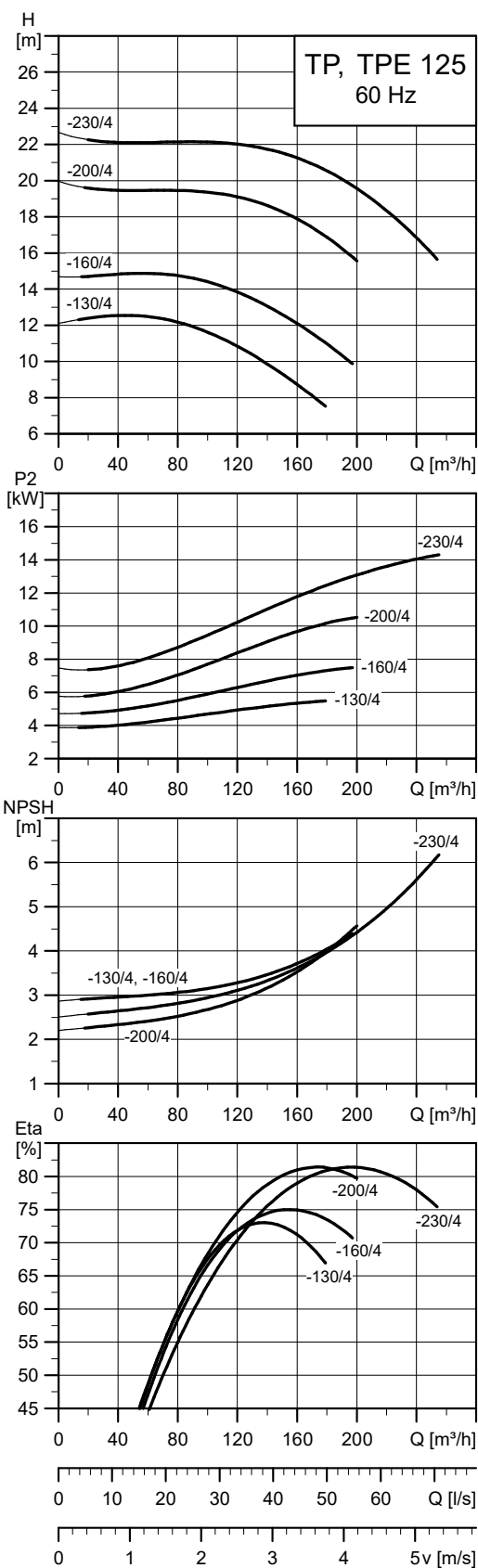
TM059447

Technical data

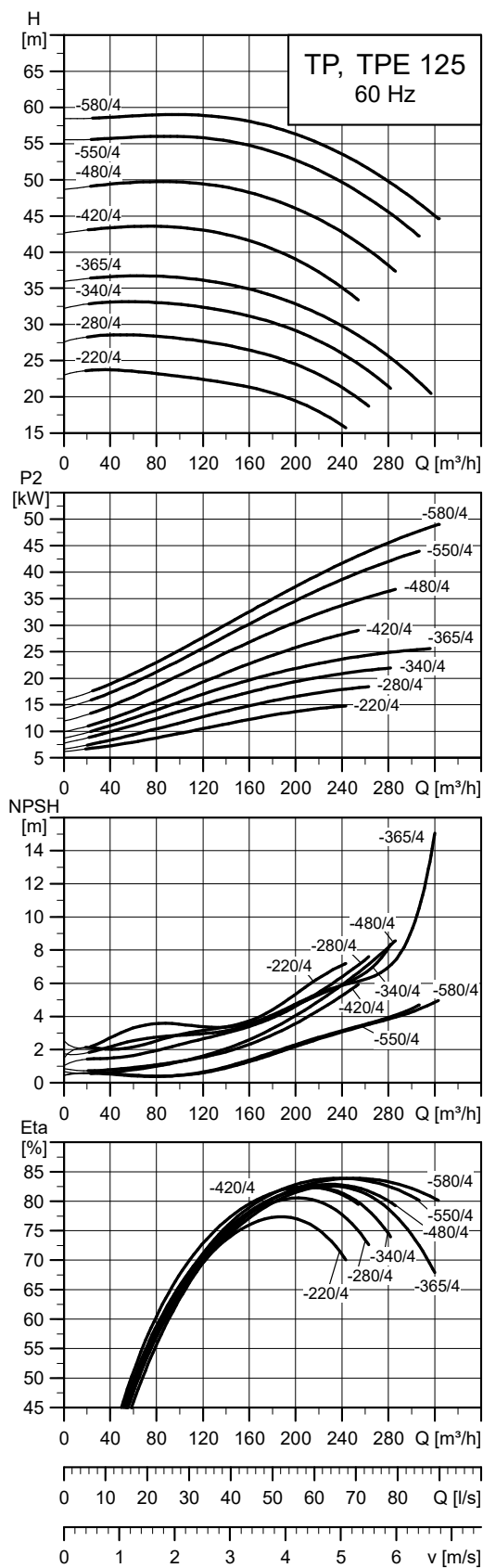
TP 125			-80/4	-110/4	-135/4
TPD			-	-	-
TPE			•	•	•
TPED			-	-	-
Series			300	300	300
IEC size	1~ TP		-	-	-
	3~ TP		100	112	132
	1~ TPE		-	-	-
	3~ TPE		100	112	132
P2	1~/3~ TP	[kW]	-/3	-/4	-/5.5
	1~/3~ TPE	[kW]	-/3	-/4	-/5.5
PN			PN 16	PN 16	PN 16
T _{min} ; T _{max}		[°C]	[-25;120]	[-25;120]	[-25;120]
D1		[mm]	125	125	125
AC	1~/3~ TP	[mm]	-/198	-/222	-/262
	1~/3~ TPE	[mm]	-/191	-/191	-/255
AD	1~/3~ TP	[mm]	-/166	-/177	-/202
	1~/3~ TPE	[mm]	-/201	-/201	-/237
AE		[mm]	-/146	-/146	-/173
AF		[mm]	-/146	-/146	-/173
P		[mm]	250	250	300
B1		[mm]	243/-	243/-	243/-
B2		[mm]	193/-	193/-	193/-
L1		[mm]	620	620	620
H1		[mm]	210	210	210
H2		[mm]	-/225	-/225	-/245
H3	1~/3~ TP	[mm]	-/789	-/870	-/890
	1~/3~ TPE	[mm]	-/769	-/769	-/844

- TP, TPD pumps with 3-phase motors from 0.12 to 0.37 kW are fitted with IE2 motors, 0.55 to 55 kW with IE3 motors, 75 to 200 kW with IE4 motors and 250 kW and up with IE3 motors.

TP, TPD, TPE 125-XXX/4

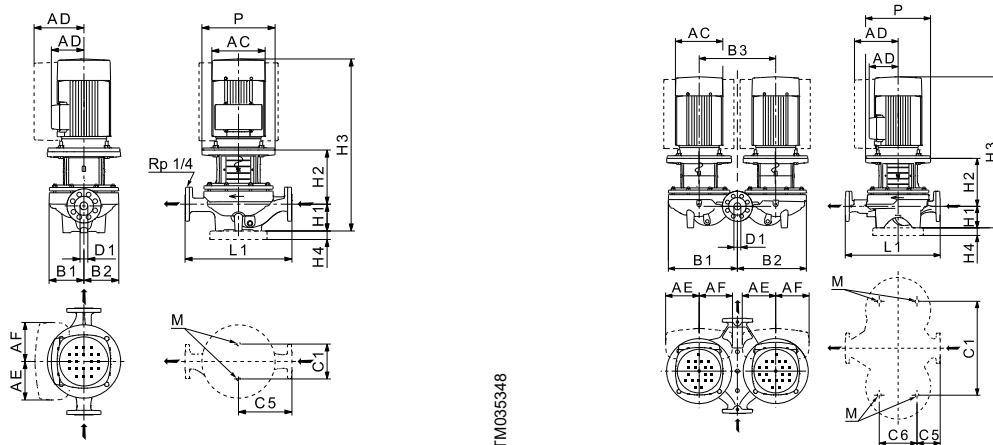


TM028774



TM028775

Note: All QH-curves apply to single-head pumps. For further information, see section Curve conditions.



TM035348

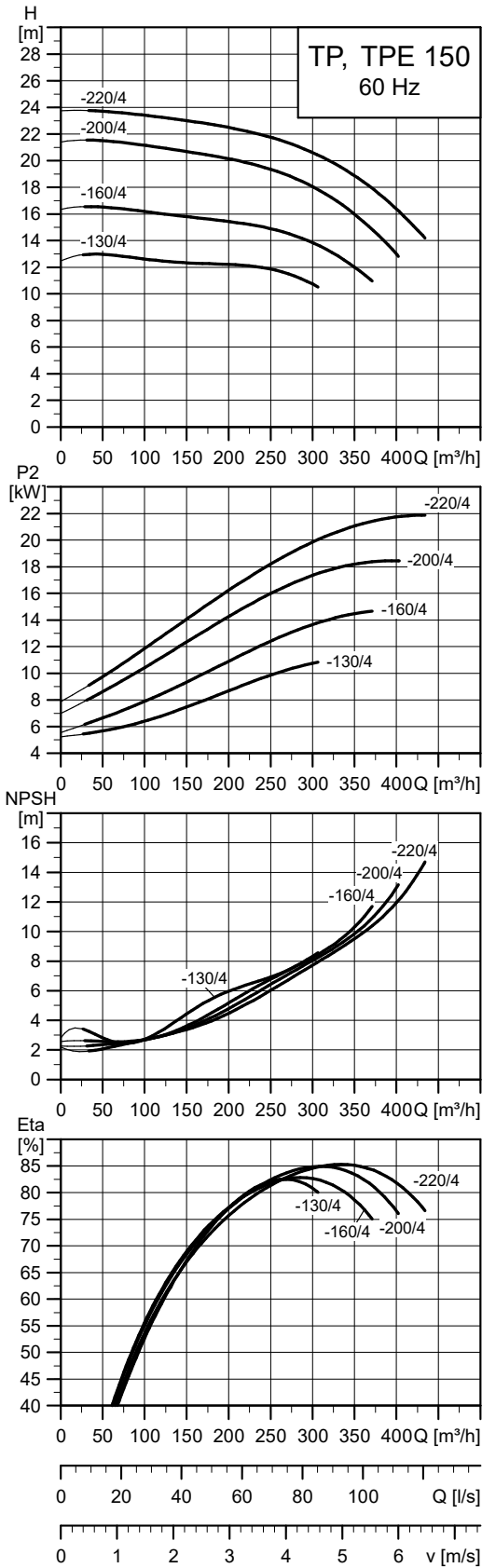
TM035349

Technical data

TP 125		-130/4	-160/4	-200/4	-230/4	-220/4	-280/4	-340/4	-365/4	-420/4	-480/4	-550/4	-580/4	
TPD		•	•	•	•	-	•	•	•	•	•	-	-	
TPE		•	•	•	•	•	-	-	-	-	-	-	-	
TPED		-	-	-	-	-	-	-	-	-	-	-	-	
Series		300	300	300	300	300	300	300	300	300	300	300	300	
IEC size	1~ TP	-	-	-	-	-	-	-	-	-	-	-	-	
	3~ TP	132	132	160	160	160	180	180	200	200	225	225M	225M	
	1~ TPE	-	-	-	-	-	-	-	-	-	-	-	-	
	3~ TPE	132	132	160	160	160	180	-	-	-	-	-	-	
P2	1~/3~ TP [kW]	-/5.5	-/7.5	-/11	-/15	-/15	-/18.5	-/22	-/30	-/30	-/37	-/45	-/55	
	1~/3~ TPE [kW]	-/5.5	-/7.5	-/11	-/15	-/15	-/18.5	-	-	-	-	-	-	
PN		PN 16	PN 16	PN 16	PN 16	PN 25	PN 16/25	PN 16/25	PN 16/25	PN 16/25	PN 16/25	PN 16/25	PN 16/25	
T _{min} ; T _{max}	[°C]	[-25;120]	[-25;120]	[-25;120]	[-25;120]	[-40;140]	[-40;140]	[-40;140]	[-40;140]	[-40;140]	[-40;140]	[-40;150]	[-40;150]	
D1	[mm]	125	125	125	125	125	125	125	125	125	125	125	125	
AC	1~/3~ TP [mm]	-/262	-/262	-/314	-/314	-/314	-/368	-/368	-/408	-/408	-/449	-/442	-/495	
	1~/3~ TPE [mm]	-/255	-/255	-/314	-/314	-/314	-/314	-	-	-	-	-	-	
AD	1~/3~ TP [mm]	-/202	-/202	-/236.5	-/236.5	-/236.5	-/286	-/286	-/315	-/315	-/338	-/325	-/392	
	1~/3~ TPE [mm]	-/237	-/237	-/308	-/308	-/308	-/308	-	-	-	-	-	-	
AE	1~/3~ TPE [mm]	-/173	-/173	-/210	-/210	-/210	-/210	-	-	-	-	-	-	
AF	1~/3~ TPE [mm]	-/173	-/173	-/210	-/210	-/210	-/210	-	-	-	-	-	-	
P	[mm]	300	300	350	350	350	350	350	350	400	450	450	550	
B1	TP(E)/TPD [mm]	250/537	250/537	250/537	250/537	244/537	244/537	244/537	244/537	273/568	273/568	271/-	271/-	
B2	TP(E)/TPD [mm]	220/518	220/518	220/518	220/518	220/516	220/516	220/516	220/516	236/545	236/545	243/-	243/-	
B3	[mm]	600	600	600	600	600	600	600	600	600	600	-	-	
C1	TP(E)/TPD [mm]	230/680	230/680	230/680	230/680	230/680	230/680	230/680	230/680	230/680	230/680	230	230	
C5	TP(E)/TPD [mm]	310/84	310/84	310/84	310/84	400/175	400/175	400/175	400/175	400/175	400/175	400	400	
C6	[mm]	300	300	300	300	-/350	-/350	-/350	-/350	350	350	-	-	
L1	[mm]	620	620	620	620	800	800	800	800	800	800	800	800	
H1	[mm]	215	215	215	215	215	215	215	215	215	215	215	215	
H2	[mm]	283	283	283	312.5	315	315	315	315	315	312	342	348	353
H3	1~/3~ TP [mm]	-/933	-/933	-/992	-/1081.5	-/1184	-/1088	-/1118	-/1166	-/1163	-/1205	-/1271	-/1384	
	1~/3~ TPE [mm]	-/887	-/887	-/980	-/1009.5	-/1012	-/1082	-/-	-/-	-/-	-/-	-/-	-/-	
H4	[mm]	-	35	35	35	35	35	35	35	35	35	35	35	
M	[mm]	M16	M16	M16	M16	M16	M16	M16	M16	M16	M16	M16	M16	

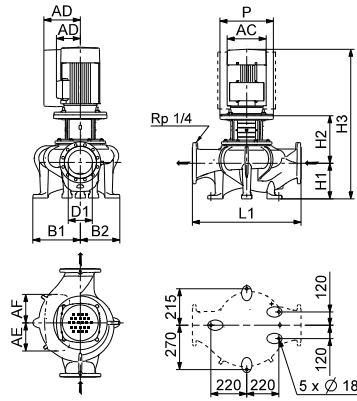
- TP, TPD pumps with 3-phase motors from 0.12 to 0.37 kW are fitted with IE2 motors, 0.55 to 55 kW with IE3 motors, 75 to 200 kW with IE4 motors and 250 kW and up with IE3 motors.
- TP, TPE pumps with a H4 dimension are delivered with a base plate.

TP, TPD, TPE 150-XXX/4



Note: All QH curves apply to single-head pumps. For further information, see section Curve conditions.

TM063852



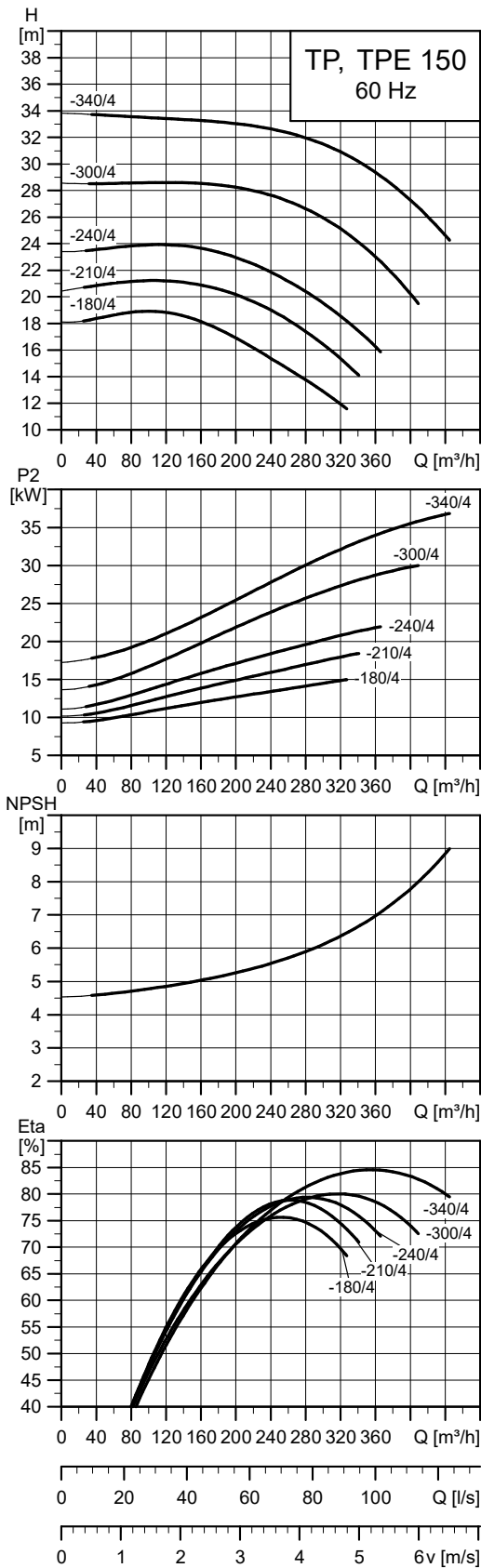
TM050661

Technical data

TP 150			-130/4	-160/4	-200/4	-220/4
TPD			-	-	-	-
TPE			•	•	-	-
TPED			-	-	-	-
Series			300	300	300	300
IEC size	1~ TP		-	-	-	-
	3~ TP		160	160	180	180
	1~ TPE		-	-	-	-
	3~ TPE		160	160	180	-
P2	1~/3~ TP	[kW]	-/11	-/15	-/18.5	-/22
	1~/3~ TPE	[kW]	-/11	-/15	-/18.5	-
PN			PN 16	PN 16	PN 16	PN 16
T _{min} ; T _{max}		[°C]	[-25;120]	[-25;120]	[-25;120]	[-25;120]
D1		[mm]	150	150	150	150
AC	1~/3~ TP	[mm]	-/314	-/314	-/368	-/368
	1~/3~ TPE	[mm]	-/314	-/314	-/314	-
AD	1~/3~ TP	[mm]	-/236.5	-/236.5	-/286	-/286
	1~/3~ TPE	[mm]	-/308	-/308	-/308	-
AE		[mm]	-/210	-/210	-/210	-
AF		[mm]	-/210	-/210	-/210	-
P		[mm]	350	350	350	350
B1		TP(E)/TPD [mm]	295/-	295/-	295/-	295/-
B2		TP(E)/TPD [mm]	240/-	240/-	240/-	240/-
L1		[mm]	800	800	800	800
H1		[mm]	250	250	250	250
H2		[mm]	314	314	314	314
H3	1~/3~ TP	[mm]	-/1058	-/1118	-/1122	-/1152
	1~/3~ TPE	[mm]	-/1046	-/1046	-/1116	-/-

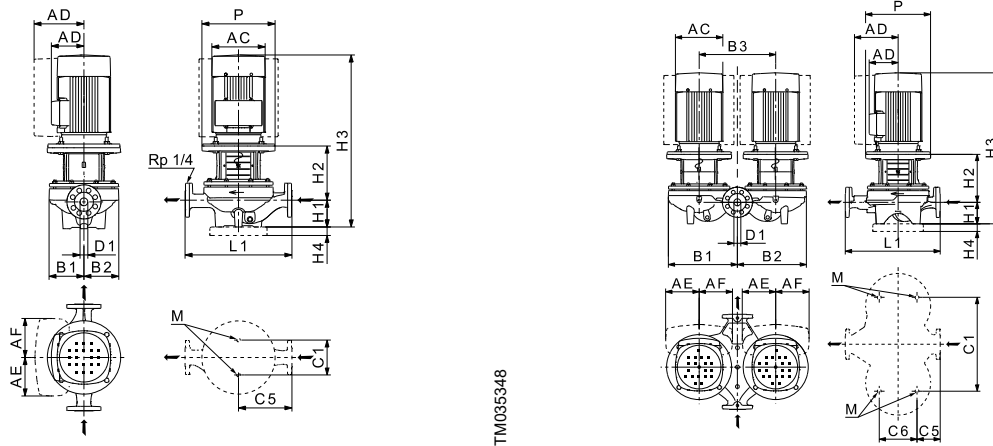
- TP, TPD pumps with 3-phase motors from 0.12 to 0.37 kW are fitted with IE2 motors, 0.55 to 55 kW with IE3 motors, 75 to 200 kW with IE4 motors and 250 kW and up with IE3 motors.

TP, TPD, TPE 150-XXX/4



Note: All QH-curves apply to single-head pumps. For further information, see section Curve conditions.

TM028776



TM035348

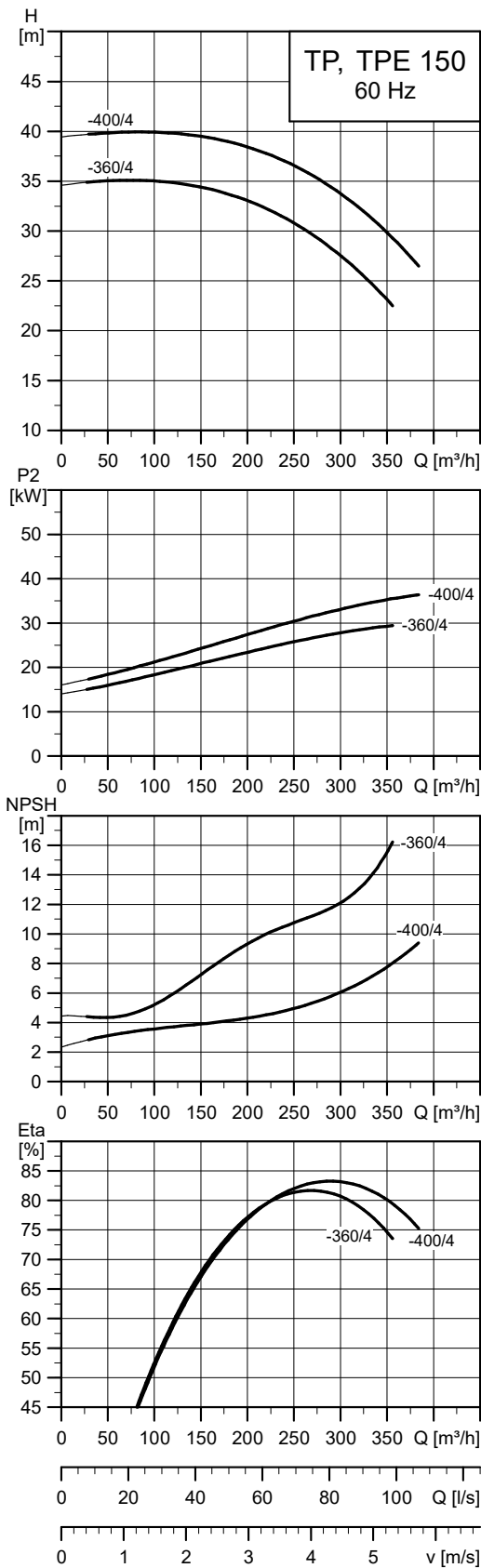
TM035349

Technical data

TP 150		-180/4	-210/4	-240/4	-300/4	-340/4
TPD		•	•	•	•	•
TPE		•	-	-	-	-
TPED		-	-	-	-	-
Series		300	300	300	300	300
IEC size	1~ TP	-	-	-	-	-
	3~ TP	160	180	180	200	225
	1~ TPE	-	-	-	-	-
	3~ TPE	160	180	-	-	-
P2	1~3~ TP [kW]	-/15	-/18.5	-/22	-/30	-/37
	1~3~ TPE [kW]	-/15	-/18.5	-	-	-
PN		PN 16/25	PN 16/25	PN 16/25	PN 16/25	PN 16/25
T _{min} ; T _{max} [°C]		[-40;140]	[-40;140]	[-40;140]	[-40;140]	[-40;140]
D1 [mm]		150	150	150	150	150
AC [mm]	1~3~ TP	-/314	-/368	-/368	-/408	-/442
	1~3~ TPE	-/314	-/314	-	-	-
AD [mm]	1~3~ TP	-/236.5	-/286	-/286	-/315	-/325
	1~3~ TPE	-/308	-/308	-	-	-
AE [mm]		210	210	-	-	-
AF [mm]		210	210	-	-	-
P [mm]		350	350	350	400	450
B1 [mm]		296/583	296/583	296/583	296/583	296/583
B2 [mm]		237/553	237/553	237/553	237/553	237/553
B3 [mm]		600	600	600	600	600
C1 [mm]		230/680	230/680	230/680	230/680	230/680
C5 [mm]		400/153	400/153	400/153	400/153	400/153
C6 [mm]		350	350	350	350	350
L1 [mm]		800	800	800	800	800
H1 [mm]		215	215	215	215	215
H2 [mm]		321	321	321	321	351.5
H3 [mm]	1~3~ TP	-/1090	-/1052	-/1133	-/1182	-/1215.5
	1~3~ TPE	-/1018	-/1088	-/-	-/-	-/-
H4 [mm]		35	35	35	35	35
M [mm]		M16	M16	M16	M16	M16

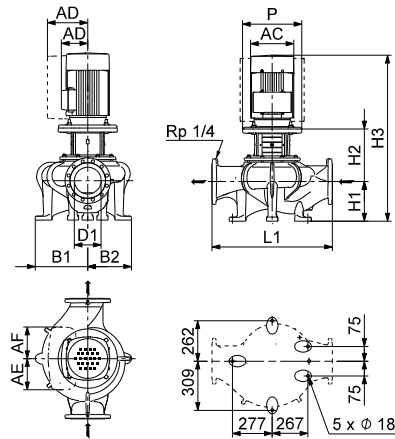
- TP, TPD pumps with 3-phase motors from 0.12 to 0.37 kW are fitted with IE2 motors, 0.55 to 55 kW with IE3 motors, 75 to 200 kW with IE4 motors and 250 kW and up with IE3 motors.
- TP, TPE pumps with a H4 dimension are delivered with a base plate.

TP, TPE 150-XXX/4



Note: All QH-curves apply to single-head pumps. For further information, see section Curve conditions.

TM034652



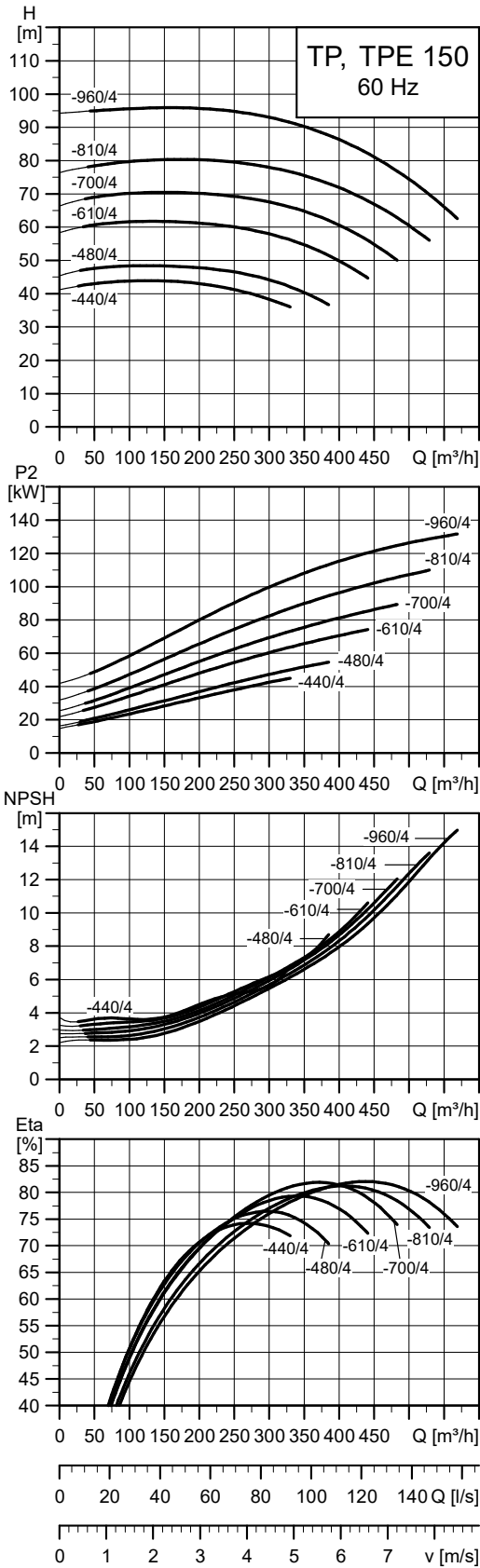
TM038623

Technical data

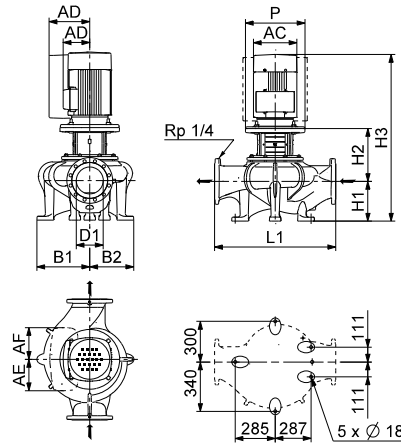
TP 150			-360/4	-400/4
TPD			-	-
TPE			-	-
TPED			-	-
Series			300	300
IEC size	1~ TP		-	-
	3~ TP		200	225
	1~ TPE		-	-
	3~ TPE		-	-
P2	1~/3~ TP	[kW]	-/30	-/37
	1~/3~ TPE	[kW]	-	-
PN			PN 16/25	PN 16/25
T _{min} ; T _{max}		[°C]	[-40;140]	[-40;140]
D1		[mm]	150	150
AC	1~/3~ TP	[mm]	-/408	-/449
	1~/3~ TPE	[mm]	-	-
AD	1~/3~ TP	[mm]	-/315	-/338
	1~/3~ TPE	[mm]	-	-
AE		[mm]	-	-
AF		[mm]	-	-
P		[mm]	400	450
B1		TP(E)/TPD [mm]	335/-	335/-
B2		TP(E)/TPD [mm]	288/-	288/-
L1		[mm]	800	800
H1		[mm]	235	235
H2		[mm]	319	349
H3	1~/3~ TP	[mm]	-/1199	-/1232
	1~/3~ TPE	[mm]	-	-

- TP, TPD pumps with 3-phase motors from 0.12 to 0.37 kW are fitted with IE2 motors, 0.55 to 55 kW with IE3 motors, 75 to 200 kW with IE4 motors and 250 kW and up with IE3 motors.

TP, TPD, TPE 150-XXX/4



TM050639



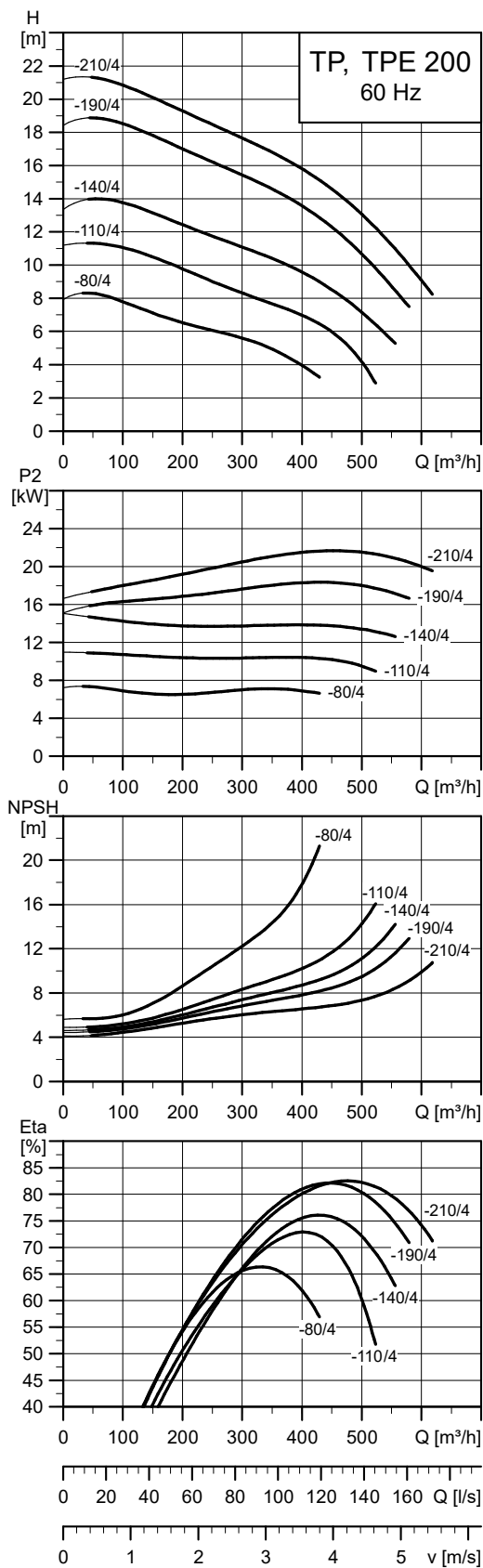
TM050662

Technical data

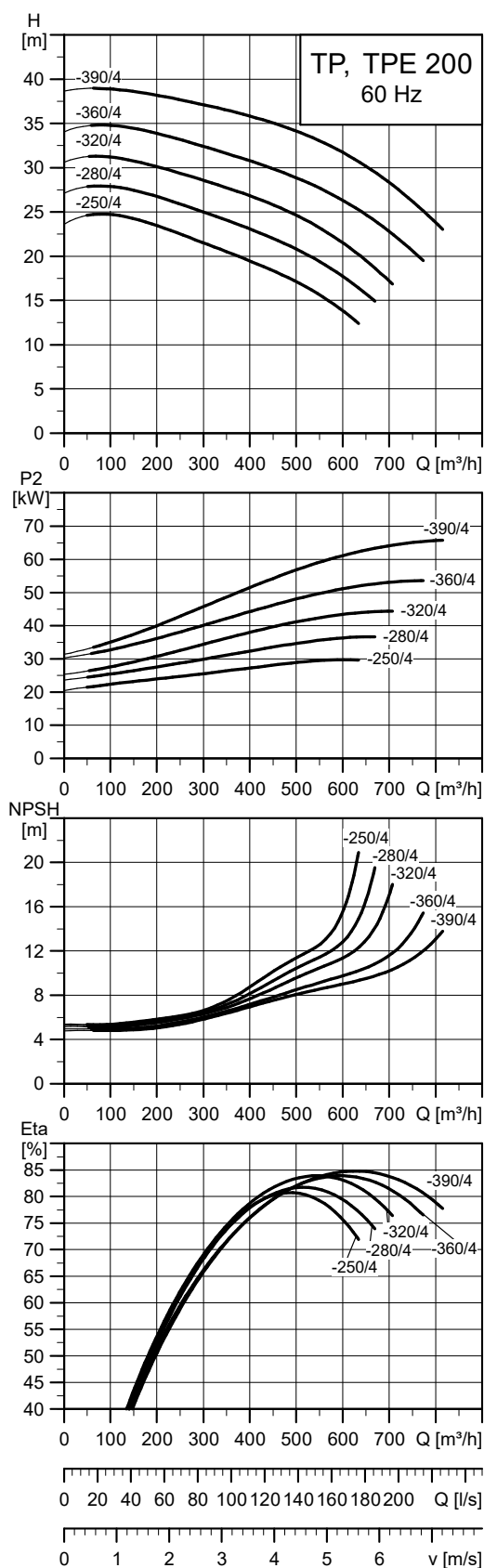
TP 150		-440/4	-480/4	-610/4	-700/4	-810/4	-960/4
TPD		-	-	-	-	-	-
TPE		-	-	-	-	-	-
TPED		-	-	-	-	-	-
Series		300	300	300	300	300	300
IEC size	1~ TP	-	-	-	-	-	-
	3~ TP	225	250	280	280	315	315
	1~ TPE	-	-	-	-	-	-
	3~ TPE	-	-	-	-	-	-
P2	1~/3~ TP [kW]	-/45	-/55	-/75	-/90	-/110	-/132
	1~/3~ TPE [kW]	-	-	-	-	-	-
PN		PN 16/25	PN 16/25	PN 16/25	PN 16/25	PN 16/25	PN 16/25
T _{min} , T _{max}		[°C]	[-40;140]	[-40;140]	[-40;140]	[-40;140]	[-40;140]
D1		[mm]	150	150	150	150	150
AC	1~/3~ TP [mm]		-/449	-/497	-/551	-/551	-/610
	1~/3~ TPE [mm]		-	-	-	-	-
AD	1~/3~ TP [mm]		-/338	-/410	-/433	-/433	-/495
	1~/3~ TPE [mm]		-	-	-	-	-
AE	1~/3~ TPE [mm]		-	-	-	-	-
AF	1~/3~ TPE [mm]		-	-	-	-	-
P		[mm]	450	550	550	550	660
B1	TP(E)/TPD [mm]		373/-	373/-	373/-	373/-	373/-
B2	TP(E)/TPD [mm]		333/-	333/-	333/-	333/-	333/-
L1		[mm]	1000	1000	1000	1000	1000
H1		[mm]	250	250	250	250	250
H2		[mm]	352	352	352	352	377
H3	1~/3~ TP [mm]		-/1315	-/1349	-/1476	-/1472	-/1634
	1~/3~ TPE [mm]		-	-	-	-	-

- TP, TPD pumps with 3-phase motors from 0.12 to 0.37 kW are fitted with IE2 motors, 0.55 to 55 kW with IE3 motors, 75 to 200 kW with IE4 motors and 250 kW and up with IE3 motors.

TP 200-XXX/4



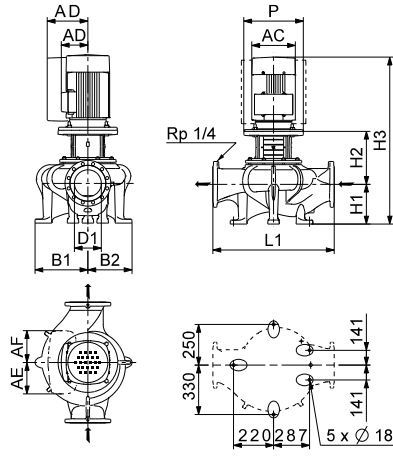
TM050541



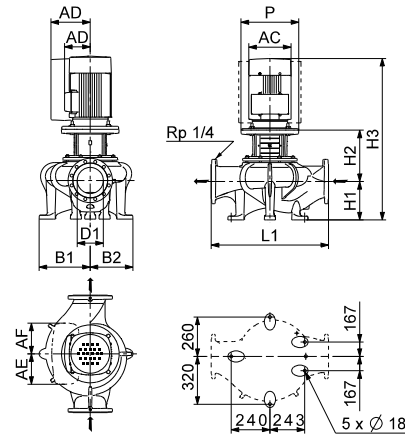
TM050543

TP 200-80/4
 TP 200-110/4
 TP 200-140/4
 TP 200-190/4
 TP 200-210/4

TP 200-250/4
 TP 200-280/4
 TP 200-320/4
 TP 200-360/4
 TP 200-390/4



TM050663



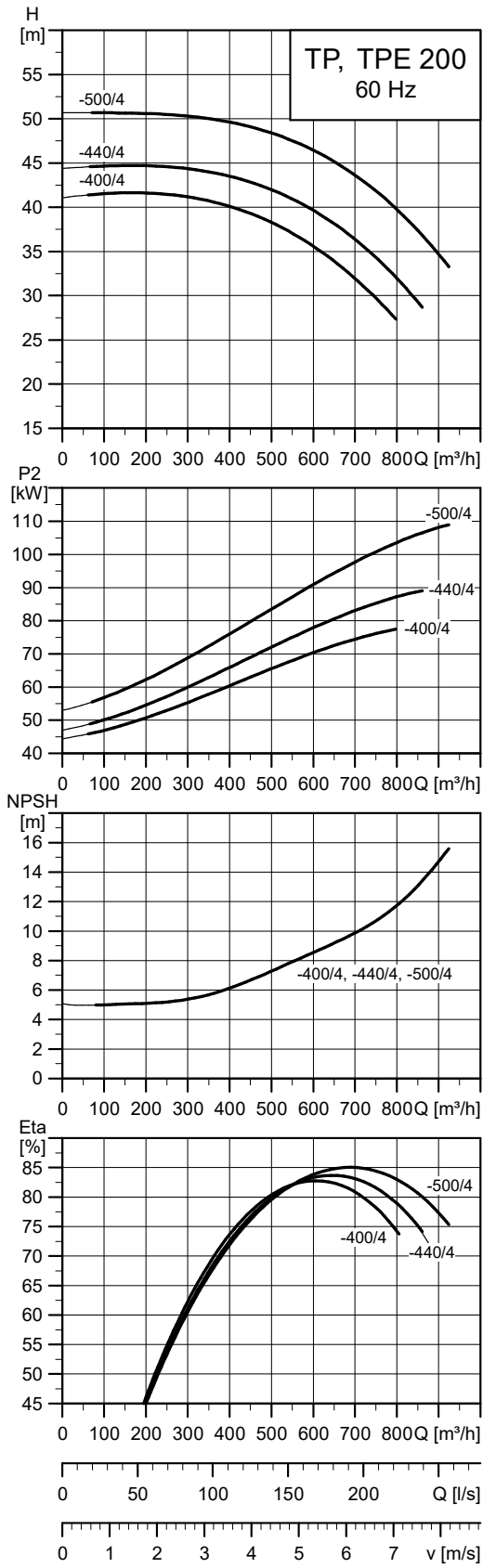
TM050664

Technical data

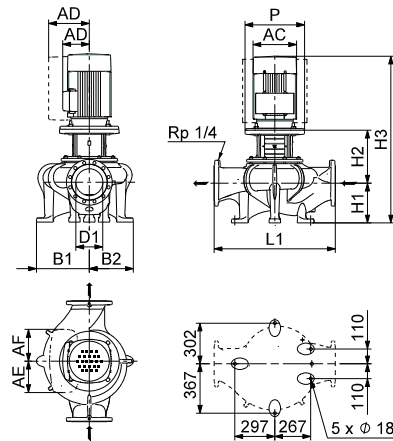
TP 200		-80/4	-110/4	-140/4	-190/4	-210/4	-250/4	-280/4	-320/4	-360/4	-390/4
TPD		-	-	-	-	-	-	-	-	-	-
TPE		•	•	•	-	-	-	-	-	-	-
TPED		-	-	-	-	-	-	-	-	-	-
Series		300	300	300	300	300	300	300	300	300	300
IEC size	1~ TP	-	-	-	-	-	-	-	-	-	-
	3~ TP	132	160	160	180	180	200	225	225	250	280
	1~ TPE	-	-	-	-	-	-	-	-	-	-
	3~ TPE	132	160	160	180	-	-	-	-	-	-
P2	1~3~ TP [kW]	-7.5	-11	-15	-18.5	-22	-30	-37	-45	-55	-75
	1~3~ TPE [kW]	-7.5	-11	-15	-18.5	-	-	-	-	-	-
PN		PN16	PN16	PN16	PN16	PN16	PN 16/25	PN 16/25	PN 16/25	PN 16/25	PN 16/25
T _{min} , T _{max}	[°C]	[-25;120]	[-25;120]	[-25;120]	[-25;120]	[-25;120]	[-40;140]	[-40;140]	[-40;140]	[-40;140]	[-40;140]
D1	[mm]	200	200	200	200	200	200	200	200	150	150
AC	1~3~ TP [mm]	-262	-314	-314	-368	-368	-408	-449	-449	-497	-551
	1~3~ TPE [mm]	-255	-314	-314	-314	-	-	-	-	-	-
AD	1~3~ TP [mm]	-202	-236.5	-236.5	-286	-286	-315	-338	-338	-410	-433
	1~3~ TPE [mm]	-237	-308	-308	-308	-	-	-	-	-	-
AE	1~3~ TPE [mm]	-173	-210	-210	-210	-	-	-	-	-	-
AF	1~3~ TPE [mm]	-173	-210	-210	-210	-	-	-	-	-	-
P	[mm]	300	350	350	350	350	400	450	450	550	550
B1	TP(E)/TPD [mm]	296/-	363/-	363/-	363/-	363/-	348/-	348/-	348/-	348/-	348/-
B2	TP(E)/TPD [mm]	237/-	283/-	283/-	283/-	283/-	288/-	288/-	288/-	288/-	288/-
L1	[mm]	900	900	900	900	900	900	900	900	900	900
H1	[mm]	280	280	280	280	280	280	280	280	280	280
H2	[mm]	-336	-336	-336	-336	-336	-331	-361	-361	-361	-361
H3	1~3~ TP [mm]	-1051	-1110	-1110	-1130	-1160	-1256	-1298	-1358	-1397	-1524
	1~3~ TPE [mm]	-975	-1098	-1098	-1168	-	-	-	-	-	-

- TP, TPD pumps with 3-phase motors from 0.12 to 0.37 kW are fitted with IE2 motors, 0.55 to 55 kW with IE3 motors, 75 to 200 kW with IE4 motors and 250 kW and up with IE3 motors.

TP 200-XXX/4



TM038592



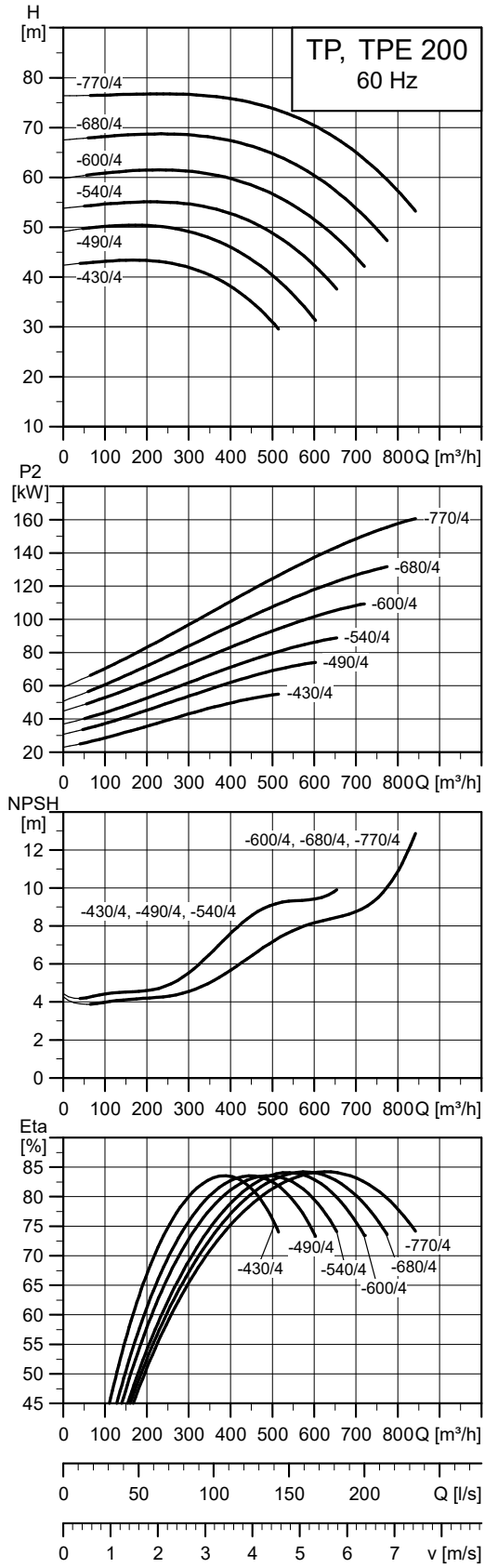
TM038621

Technical data

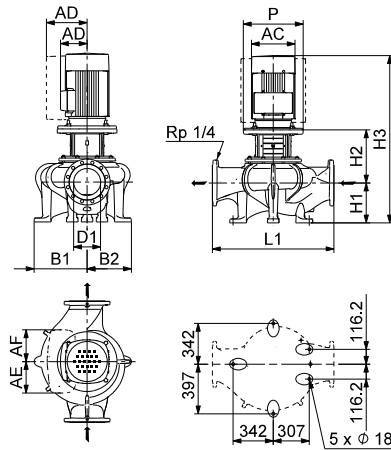
TP 200			-400/4	-440/4	-500/4
TPD			-	-	-
TPE			-	-	-
TPED			-	-	-
Series			300	300	300
IEC size	1~ TP		-	-	-
	3~ TP		280	280	315
	1~ TPE		-	-	-
	3~ TPE		-	-	-
P2	1~/3~ TP	[kW]	-/75	-/90	-/110
	1~/3~ TPE	[kW]	-	-	-
PN			PN 16/25	PN 16/25	PN 16/25
T _{min} , T _{max}		[°C]	[-40;140]	[-40;140]	[-40;140]
D1		[mm]	200	200	200
AC	1~/3~ TP	[mm]	-/551	-/551	-/616
	1~/3~ TPE	[mm]	-	-	-
AD	1~/3~ TP	[mm]	-/433	-/433	-/515
	1~/3~ TPE	[mm]	-	-	-
AE		[mm]	-	-	-
AF		[mm]	-	-	-
P		[mm]	550	550	660
B1		TP(E)/TPD [mm]	393/-	393/-	393/-
B2		TP(E)/TPD [mm]	328/-	328/-	328/-
L1		[mm]	900	900	900
H1		[mm]	295	295	295
H2		[mm]	377	377	407
H3	1~/3~ TP	[mm]	-/1546	-/1546	-/1659
	1~/3~ TPE	[mm]	-	-	-

- TP, TPD pumps with 3-phase motors from 0.12 to 0.37 kW are fitted with IE2 motors, 0.55 to 55 kW with IE3 motors, 75 to 200 kW with IE4 motors and 250 kW and up with IE3 motors.

TP 200-XXX/4



TM038593



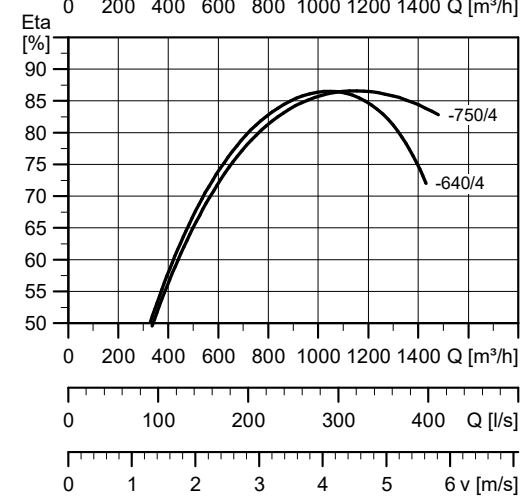
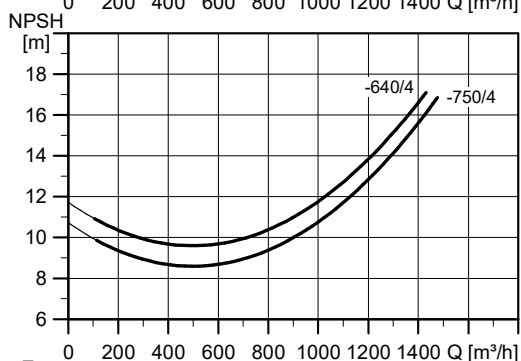
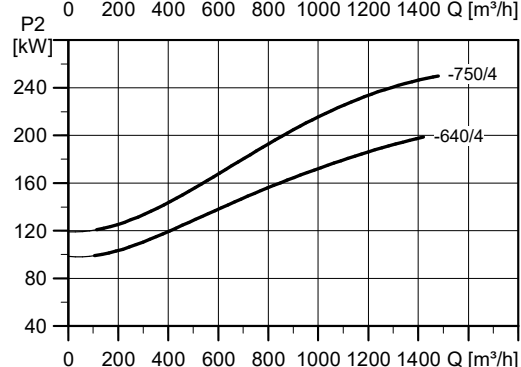
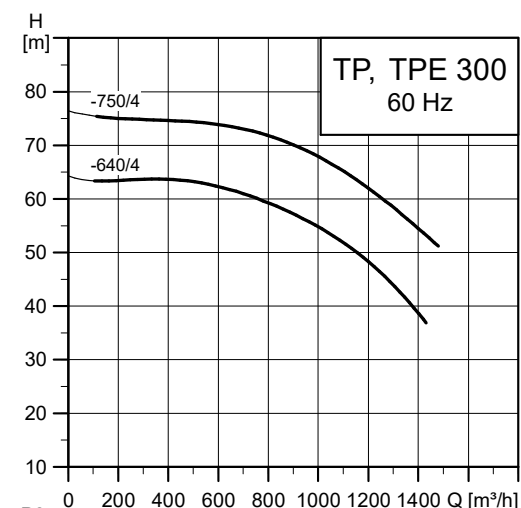
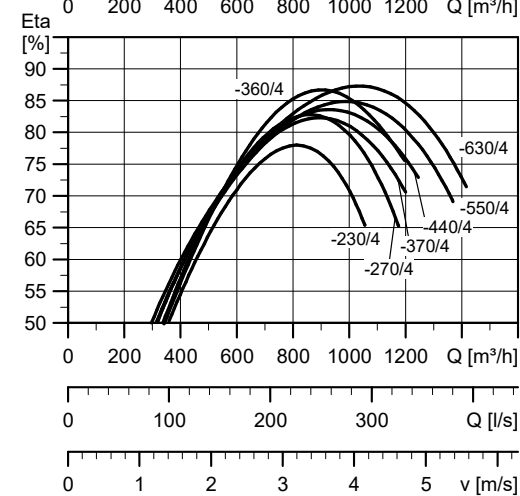
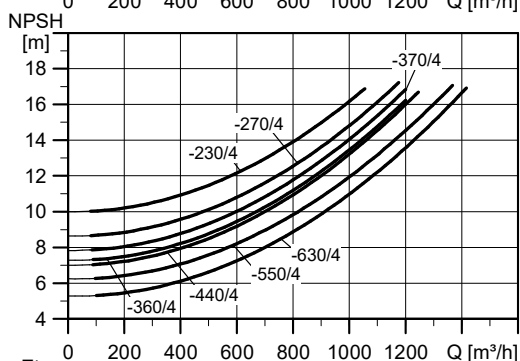
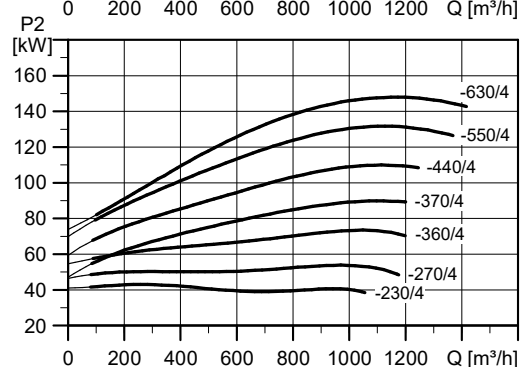
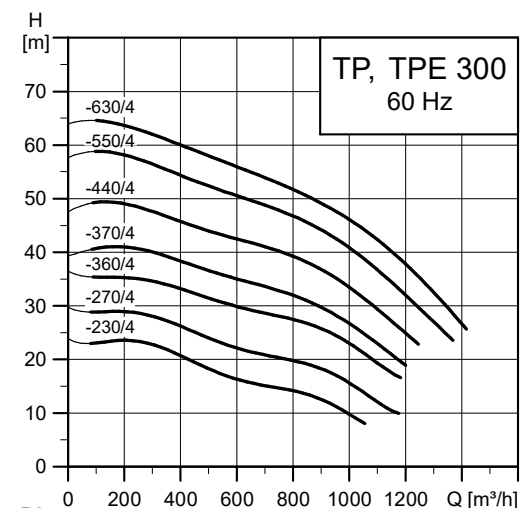
TM038622

Technical data

TP 200		-430/4	-490/4	-540/4	-600/4	-680/4	-770/4
TPD		-	-	-	-	-	-
TPE		-	-	-	-	-	-
TPED		-	-	-	-	-	-
Series		300	300	300	300	300	300
IEC size	1~ TP	-	-	-	-	-	-
	3~ TP	250	280	280	315	315	315
	1~ TPE	-	-	-	-	-	-
	3~ TPE	-	-	-	-	-	-
P2	1~/3~ TP [kW]	-/55	-/75	-/90	-/110	-/132	-/160
	1~/3~ TPE [kW]	-	-	-	-	-	-
PN		PN 16/25	PN 16/25	PN 16/25	PN 16/25	PN 16/25	PN 16/25
T _{min} , T _{max}		[°C]	[-40;140]	[-40;140]	[-40;140]	[-40;140]	[-40;140]
D1		[mm]	200	200	200	200	200
AC	1~/3~ TP [mm]	-/497	-/551	-/551	-/616	-/616	-/616
	1~/3~ TPE [mm]	-	-	-	-	-	-
AD	1~/3~ TP [mm]	-/433	-/433	-/433	-/515	-/515	-/515
	1~/3~ TPE [mm]	-	-	-	-	-	-
AE		[mm]	-	-	-	-	-
AF		[mm]	-	-	-	-	-
P		[mm]	550	550	550	660	660
B1	TP(E)/TPD [mm]	423/-	423/-	423/-	423/-	423/-	423/-
B2	TP(E)/TPD [mm]	368/-	368/-	368/-	368/-	368/-	368/-
L1		[mm]	1000	1000	1000	1000	1000
H1		[mm]	295	295	295	295	295
H2		[mm]	382	382	382	412	412
H3	1~/3~ TP [mm]	-/1424	-/1551	-/1551	-/1664	-/1754	-/1754
	1~/3~ TPE [mm]	-	-	-	-	-	-

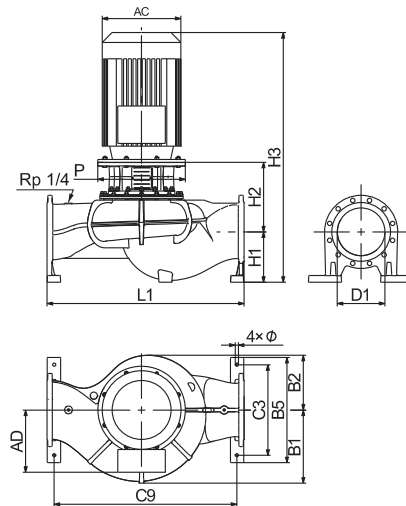
- TP, TPD pumps with 3-phase motors from 0.12 to 0.37 kW are fitted with IE2 motors, 0.55 to 55 kW with IE3 motors, 75 to 200 kW with IE4 motors and 250 kW and up with IE3 motors.

TP 300-XXX/4



TM066696

TM066622



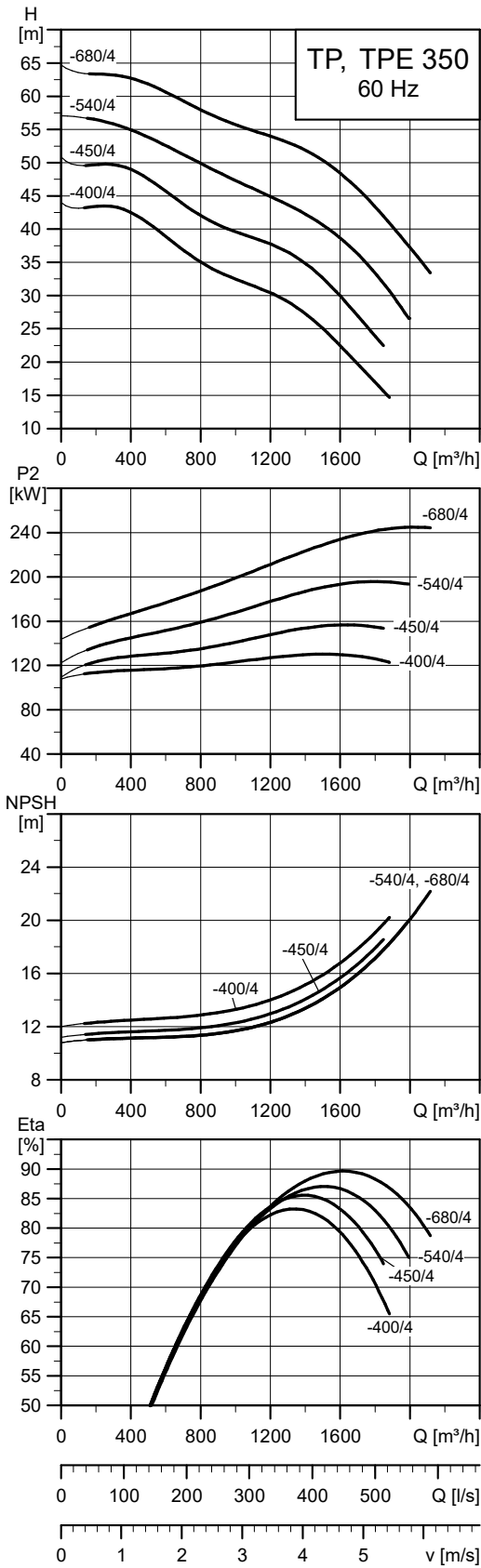
TM066532

Technical data

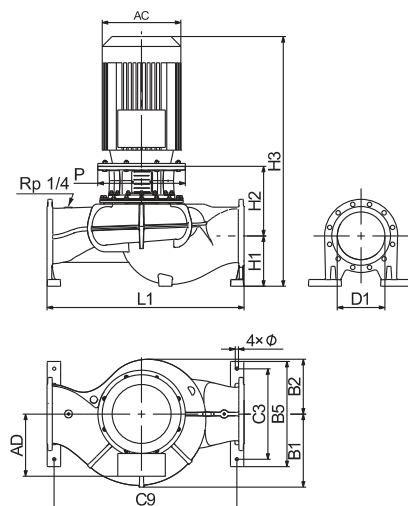
TP 300		-230/4	-270/4	-360/4	-370/4	-440/4	-550/4	-630/4	-640/4	-750/4
TPD		-	-	-	-	-	-	-	-	-
TPE		-	-	-	-	-	-	-	-	-
TPED		-	-	-	-	-	-	-	-	-
Series		300	300	300	300	300	300	300	300	300
IEC size	1~ TP	-	-	-	-	-	-	-	-	-
	3~ TP	225M	250M	280S	280M	315S	315M	315M	315L	315L
	1~ TPE	-	-	-	-	-	-	-	-	-
	3~ TPE	-	-	-	-	-	-	-	-	-
P2	3~ TP [kW]	-/45	-/55	-/75	-/90	-/110	-/132	-/160	-/200	-/250
	3~ TPE [kW]	-	-	-	-	-	-	-	-	-
PN		PN16/25	PN16/25	PN16/25	PN16/25	PN16/25	PN16/25	PN16/25	PN16/25	PN16/25
T _{min} ; T _{max}		[°C] [-40;150]	[°C] [-40;150]	[°C] [-40;150]	[°C] [-40;150]	[°C] [-40;150]	[°C] [-40;150]	[°C] [-40;150]	[°C] [-40;150]	[°C] [-40;150]
D1		[mm] 300	[mm] 300	[mm] 300	[mm] 300	[mm] 300	[mm] 300	[mm] 300	[mm] 300	[mm] 300
AC	1~/3~ TP	[mm] -/442	[mm] -/495	[mm] -/555	[mm] -/555	[mm] -/610	[mm] -/610	[mm] -/610	[mm] -/610	[mm] -/702
	1~/3~ TPE	[mm] -	[mm] -	[mm] -	[mm] -	[mm] -	[mm] -	[mm] -	[mm] -	[mm] -
AD	1~/3~ TP	[mm] -/325	[mm] -/392	[mm] -/432	[mm] -/432	[mm] -/495	[mm] -/495	[mm] -/495	[mm] -/495	[mm] -/619
	1~/3~ TPE	[mm] -	[mm] -	[mm] -	[mm] -	[mm] -	[mm] -	[mm] -	[mm] -	[mm] -
P		[mm] 450	[mm] 550	[mm] 550	[mm] 550	[mm] 660	[mm] 660	[mm] 660	[mm] 660	[mm] 660
B1		[mm] 438/-	[mm] 438/-	[mm] 438/-	[mm] 460/-	[mm] 460/-	[mm] 460/-	[mm] 460/-	[mm] 438/-	[mm] 438/-
B2		[mm] 320/-	[mm] 320/-	[mm] 320/-	[mm] 345/-	[mm] 345/-	[mm] 345/-	[mm] 345/-	[mm] 338/-	[mm] 338/-
B5		[mm] 663	[mm] 663	[mm] 663	[mm] 663	[mm] 663	[mm] 663	[mm] 663	[mm] 666	[mm] 666
C3		[mm] 570	[mm] 570	[mm] 570	[mm] 570	[mm] 570	[mm] 570	[mm] 570	[mm] 570	[mm] 570
C9		[mm] 1150	[mm] 1150	[mm] 1150	[mm] 1150	[mm] 1150	[mm] 1150	[mm] 1150	[mm] 1150	[mm] 1150
L1		[mm] 1240	[mm] 1240	[mm] 1240	[mm] 1240	[mm] 1240	[mm] 1240	[mm] 1240	[mm] 1240	[mm] 1240
H1		[mm] 348	[mm] 348	[mm] 348	[mm] 317	[mm] 317	[mm] 317	[mm] 317	[mm] 340	[mm] 340
H2		[mm] 423	[mm] 423	[mm] 423	[mm] 443	[mm] 468	[mm] 468	[mm] 468	[mm] 455	[mm] 460
H3		[mm] -/1480	[mm] -/1588	[mm] -/1645	[mm] -/1634	[mm] -/1762	[mm] -/1847	[mm] -/1847	[mm] -/1982	[mm] -/2040
Ø		[mm] 20	[mm] 20	[mm] 20	[mm] 20	[mm] 20	[mm] 20	[mm] 20	[mm] 20	[mm] 20

- TP, TPD pumps with 3-phase motors from 0.12 to 0.37 kW are fitted with IE2 motors, 0.55 to 55 kW with IE3 motors, 75 to 200 kW with IE4 motors and 250 kW and up with IE3 motors.

TP 350-XXX/4



TM066623



TM066532

Technical data

TP 350			-400/4	-450/4	-540/4	-680/4
TPD			-	-	-	-
TPE			-	-	-	-
TPED			-	-	-	-
Series			300	300	300	300
IEC size	1~ TP		-	-	-	-
	3~ TP		315M	315M	315L	315L
	1~ TPE		-	-	-	-
	3~ TPE		-	-	-	-
P2	3~ TP	[kW]	-/132	-/160	-/200	-/250
	3~ TPE	[kW]	-	-	-	-
PN			PN16/25	PN16/25	PN16/25	PN16/25
T _{min} ; T _{max}		[°C]	[-40;150]	[-40;150]	[-40;150]	[-40;150]
D1		[mm]	350	350	350	350
AC	1~/3~ TP	[mm]	-/610	-/610	-/610	-/702
	1~/3~ TPE	[mm]	-	-	-	-
AD	1~/3~ TP	[mm]	-/495	-/495	-/495	-/619
	1~/3~ TPE	[mm]	-	-	-	-
P		[mm]	660	660	660	660
B1		[mm]	521/-	521/-	521/-	521/-
B2		[mm]	373/-	373/-	373/-	373/-
B5		[mm]	735	735	735	735
C3		[mm]	660	660	660	660
C9		[mm]	1310	1310	1310	1310
L1		[mm]	1400	1400	1400	1400
H1		[mm]	361	361	361	361
H2		[mm]	509	509	509	514
H3		[mm]	-/1932	-/1932	-/2057	-/2125
Ø		[mm]	20	20	20	20

- TP, TPD pumps with 3-phase motors from 0.12 to 0.37 kW are fitted with IE2 motors, 0.55 to 55 kW with IE3 motors, 75 to 200 kW with IE4 motors and 250 kW and up with IE3 motors.

26. Minimum efficiency index

Minimum efficiency index, MEI, means the dimensionless scale unit for hydraulic pump efficiency at best efficiency point, part load and overload. The Commission Regulation, EU, sets efficiency requirements to MEI greater than or equal to 0.10 as from 1 January 2013 and MEI greater than or equal to 0.40 as from 1 January 2015. An indicative benchmark for the best-performing water pump available on the market as from 1 January 2013 is determined in the regulation.

- The benchmark for the most efficient water pumps is MEI greater than or equal to 0.70.
- The efficiency of a pump with a trimmed impeller is usually lower than that of a pump with the full impeller diameter. The trimming of the impeller will adapt the pump to a fixed duty point, leading to reduced energy consumption. The minimum efficiency index, MEI, is based on the full impeller diameter.
- The operation of this water pump with variable duty points may be more efficient and economic when controlled, for example, by the use of a variable-speed drive that matches the pump duty to the system.
- Information on benchmark efficiency is available at <http://europump.eu/efficiencycharts>.

TPE2, TPE2 D, TPE3, TPE3 D

TPE2, TPE3	P ₂ [kW]	Nominal impeller size / actual impeller size	Trimmed impeller	Maximum impeller	MEI
TPE2, TPE2 D, TPE3, TPE3 D	All			•	≥ 0.70

TP, TPD, TPE, 2-pole, PN 6, 10, 16

TP Series 200, 2-pole	P ₂ [kW]	Nominal impeller size / actual impeller size	Trimmed impeller	Maximum impeller	MEI
TP 32-80/2	0.37			•	≥ 0.60
TP 32-160/2	0.55			•	≥ 0.70
TP 32-220/2	0.75	32-136 / 111	•		
TP 32-260/2	1.1	32-136 / 118	•		≥ 0.40
TP 32-330/2	1.5	32-136 / 136		•	
TP 40-80/2	0.55			•	≥ 0.49
TP 40-160/2	0.75			•	≥ 0.70
TP 40-240/2	1.1			•	≥ 0.70
TP 40-270/2	1.5			•	≥ 0.53
TP 40-330/2	2.2			•	≥ 0.43
TP 40-390/2	3.0			•	≥ 0.66
TP 50-80/2	0.55			•	≥ 0.70
TP 50-160/2	1.1			•	≥ 0.56
TP 50-240/2	1.5			•	≥ 0.70
TP 65-80/2	1.1			•	≥ 0.64
TP 65-160/2	1.5			•	≥ 0.70
TP 65-240/2	2.2			•	≥ 0.70
TP 80-160/2	3.0			•	≥ 0.70

TP Series 300, 2-pole	P ₂ [kW]	Nominal impeller size / actual impeller size	Trimmed impeller	Maximum impeller	MEI
TP, TPD, TPE 32-300/2	2.2	32-200.1 / 137	•		
TP, TPD, TPE 32-360/2	3	32-200.1 / 148	•		
TP, TPD, TPE 32-450/2	4	32-200.1 / 160	•		
TP, TPD, TPE 32-550/2	5.5	32-200.1 / 174	•		≥ 0.46
TP, TPD, TPE 32-680/2	7.5	32-200.1 / 191	•		
TP, TPD, TPE 32-820/2	11	32-200.1 / 205		•	

TP Series 300, 2-pole	P ₂ [kW]	Nominal impeller size / actual impeller size	Trimmed impeller	Maximum impeller	MEI	
TP, TPD, TPE 40-400/2	4	32-200 / 150	•		≥ 0.70	
TP, TPD, TPE 40-460/2	5.5	32-200 / 162	•			
TP, TPD, TPE 40-530/2	7.5	32-200 / 176	•			
TP, TPD, TPE 40-690/2	11	32-200 / 194	•			
TP, TPD, TPE 40-820/2	15	32-200 / 208	•			
TP, TPD, TPE 40-920/2	18.5	32-200 / 219		•		
TP, TPD 50-250/2	2.2	32-125 / 113	•		≥ 0.70	
TP, TPD, TPE 50-300/2	3	32-125 / 123		•		
TP, TPD, TPE 50-350/2	4	32-160 / 137	•		≥ 0.40	
TP, TPD, TPE 50-410/2	5.5	32-160 / 146		•		
TP, TPD, TPE 50-430/2	7.5	40-200 / 161	•		≥ 0.57	
TP, TPD, TPE 50-530/2	11	40-200 / 176	•			
TP, TPD, TPE 50-640/2	15	40-200 / 188		•		
TP, TPD, TPE 50-720/2	15	40-250 / 184	•		≥ 0.60	
TP, TPD, TPE 50-790/2	18.5	40-250 / 204	•			
TP, TPD, TPE 50-880/2	22	40-250 / 213	•			
TP, TPD 50-1050/2	30	40-250 / 232		•		
TP, TPD, TPE 65-200/2	3	40-125 / 107	•			≥ 0.70
TP, TPD, TPE 65-250/2	4	40-125 / 118		•		
TP, TPD, TPE 65-340/2	5.5	40-160 / 133	•		≥ 0.54	
TP, TPD, TPE 65-390/2	7.5	40-160 / 145		•		
TP, TPD, TPE 65-480/2	11	50-200 / 157	•		≥ 0.52	
TP, TPD, TPE 65-540/2	15	50-200 / 170	•			
TP, TPD, TPE 65-630/2	18.5	50-200 / 180	•			
TP, TPD 65-920/2	37	50-200 / 219		•		
TP, TPD, TPE 65-740/2	22	50-250 / 196	•			
TP, TPD 65-910/2	30	50-250 / 215	•		≥ 0.48	
TP, TPD 65-1050/2	37	50-250 / 230		•		
TP, TPD, TPE 80-200/2	4	50-125 / 105	•		≥ 0.53	
TP, TPD, TPE 80-240/2	5.5	50-125 / 115	•			
TP, TPD, TPE 80-290/2	7.5	50-125 / 127		•		
TP, TPD, TPE 80-330/2	11	65-160 / 137	•			≥ 0.44
TP, TPD, TPE 80-400/2	15	65-160 / 149		•		
TP, TPD, TPE 80-480/2	18.5	65-200 / 160	•		≥ 0.65	
TP, TPD, TPE 80-530/2	22	65-200 / 167	•			
TP, TPD 80-640/2	30	65-200 / 184	•			
TP, TPD 80-750/2	37	65-200 / 197		•		
TP, TPD, TPE 100-230/2	7.5	65-125 / 120-110	•			≥ 0.60
TP, TPD, TPE 100-300/2	11	65-125 / 130	•			
TP, TPD, TPE 100-370/2	15	65-125 / 141		•		
TP, TPD, TPE 100-350/2	18.5	80-160 / 145	•		≥ 0.70	
TP, TPD, TPE 100-380/2	22	80-160 / 152		•		
TP, TPD 100-530/2	30	80-200 / 166	•		≥ 0.50	
TP, TPD 100-630/2	37	80-200 / 180	•			
TP, TPD 100-700/2	45	80-200 / 190		•		

TP, TPD, TPE, 4-pole, PN 6, 10, 16

TP Series 200, 4-pole	P ₂ [kW]	Nominal impeller size / actual impeller size	Trimmed impeller	Maximum impeller	MEI
TP 32-40/4	0.12			•	≥ 0.70
TP 32-80/4	0.25			•	≥ 0.70
TP 40-40/4	0.25			•	≥ 0.70
TP 40-80/4	0.55			•	≥ 0.69

TP Series 200, 4-pole	P ₂ [kW]	Nominal impeller size / actual impeller size	Trimmed impeller	Maximum impeller	MEI
TP 50-40/4	0.25			•	≥ 0.70
TP 50-80/4	0.55			•	≥ 0.70
TP 65-40/4	0.37			•	≥ 0.70
TP 65-80/4	1.1			•	≥ 0.70
TP 80-40/4	0.75			•	≥ 0.70
TP 80-80/4	1.5			•	≥ 0.70
TP 100-40/4	1.1			•	≥ 0.45

TP Series 300, 4-pole	P ₂ [kW]	Nominal impeller size / actual impeller size	Trimmed impeller	Maximum impeller	MEI
TP, TPD, TPE 32-120/4	0.55	32-200.1 / 168	•		
TP, TPD, TPE 32-140/4	0.75	32-200.1 / 180	•		≥ 0.70
TP, TPD 32-190/4	1.1	32-200.1 / 203		•	
TP, TPD 40-110/4	0.75	32-200 / 165	•		
TP, TPD 40-150/4	1.1	32-200 / 180	•		
TP, TPD 40-180/4	1.5	32-200 / 194	•		≥ 0.70
TP, TPD 40-230/4	2.2	32-200 / 219		•	
TP, TPD 50-100/4	0.75	40-200 / 155	•		
TP, TPD 50-115/4	1.1	40-200 / 167	•		≥ 0.70
TP, TPD 50-130/4	1.5	40-200 / 181	•		
TP, TPD 50-180/4	2.2	40-200 / 206		•	
TP, TPD, TPE 50-240/4	3	40-250 / 224	•		
TP, TPD, TPE 50-270/4	4	40-250 / 240	•		≥ 0.44
TP, TPD, TPE 50-340/4	5.5	40-250 / 260		•	
TP, TPD 65-130/4	1.5	50-200 / 164	•		
TP, TPD 65-150/4	2.2	50-200 / 180	•		≥ 0.55
TP, TPD, TPE 65-190/4	3	50-200 / 200		•	
TP, TPD, TPE 65-230/4	4	50-250 / 220	•		
TP, TPD, TPE 65-310/4	5.5	50-250 / 250	•		≥ 0.70
TP, TPD, TPE 65-330/4	7.5	50-250 / 263		•	
TP, TPD 80-110/4	2.2	65-160 / 157		•	≥ 0.51
TP, TPD, TPE 80-150/4	3	65-200 / 174	•		≥ 0.62
TP, TPD, TPE 80-170/4	4	65-200 / 190		•	
TP, TPD, TPE 80-230/4	5.5	65-250 / 220	•		≥ 0.41
TP, TPD, TPE 80-280/4	7.5	65-250 / 240		•	
TP, TPD, TPE 80-340/4	11	65-315 / 265	•		
TP, TPD, TPE 80-410/4	15	65-315 / 288	•		
TP, TPD 80-460/4	18.5	65-315 / 305	•		≥ 0.70
TP, TPD 80-510/4	22	65-315 / 320		•	
TP, TPD, TPE 100-90/4	2.2	80-160 / 143	•		
TP, TPD, TPE 100-100/4	3	80-160 / 151-153	•		≥ 0.70
TP, TPD, TPE 100-150/4	5.5	80-160 / 177		•	
TP, TPD, TPE 100-130/4	4	80-200 / 172	•		
TP, TPD, TPE 100-170/4	5.5	80-200 / 190	•		≥ 0.70
TP, TPD, TPE 100-260/4	11	80-200 / 222		•	
TP, TPD, TPE 100-200/4	7.5	80-250 / 202	•		
TP, TPD, TPE 100-240/4	11	80-250 / 226	•		≥ 0.63
TP, TPD 100-350/4	22	80-250 / 270		•	
TP, TPD, TPE 100-290/4	15	80-315 / 248	•		
TP, TPD 100-340/4	18.5	80-315 / 267	•		
TP, TPD 100-390/4	22	80-315 / 285	•		≥ 0.59
TP, TPD 100-470/4	30	80-315 / 310		•	
TP 100-560/4	37	80-315 / 334		•	≥ 0.60

TP Series 300, 4-pole	P ₂ [kW]	Nominal impeller size / actual impeller size	Trimmed impeller	Maximum impeller	MEI
TP, TPE 125-80/4	3.0	100-160 / 160-124	•		
TP, TPE 125-110/4	4.0	100-160 / 161	•		≥ 0.70
TP, TPE 125-135/4	5.5	100-160 / 174		•	
TP, TPD, TPE 125-130/4	5.5	100-200 / 168	•		
TP, TPD, TPE 125-160/4	7.5	100-200 / 183	•		≥ 0.67
TP, TPD, TPE 125-200/4	11	100-200 / 205	•		
TP, TPD, TPE 125-230/4	15	100-200 / 217		•	
TP, TPE 125-220/4	15	100-250 / 219	•		
TP, TPD 125-280/4	18.5	100-250 / 238	•		≥ 0.70
TP, TPD 125-340/4	22	100-250 / 256	•		
TP, TPD 125-365/4	30	100-250 / 269		•	
TP, TPD 125-420/4	30	100-315 / 290	•		
TP, TPD 125-480/4	37	100-315 / 309	•		≥ 0.60
TP 125-550/4	45	100-315 / 329	•		
TP 125-580/4	55	100-315 / 334		•	
TP, TPE 150-130/4	11	125-200 / 180-160	•		
TP, TPE 150-160/4	15	125-200 / 196-188	•		≥ 0.70
TP 150-200/4	18.5	125-200 / 218	•		
TP 150-220/4	22	125-200 / 226		•	
TP, TPD, TPE 150-180/4	15	125-250 / 204	•		
TP, TPD 150-210/4	18.5	125-250 / 216	•		≥ 0.70
TP, TPD 150-240/4	22	125-250 / 228	•		
TP, TPD 150-300/4	30	125-250 / 247	•		
TP, TPD 150-340/4	37	125-250 / 265		•	
TP 150-360/4	30	125-315 / 270	•		≥ 0.70
TP 150-400/4	37	125-315 / 286		•	
TP 150-440/4	45	125-400 / 293	•		
TP 150-480/4	55	125-400 / 306	•		≥ 0.70
TP 150-610/4	75	125-400 / 345	•		
TP 150-700/4	90	125-400 / 369	•		
TP 150-810/4	110	125-400 / 395	•		
TP 150-960/4	132	125-400 / 434		•	
TP, TPE 200-80/4	7.5	150-200 / 191-121	•		
TP, TPE 200-110/4	11	150-200 / 200-138	•		≥ 0.70
TP, TPE 200-140/4	15	150-200 / 210-166	•		
TP 200-190/4	18.5	150-200 / 218-206	•		
TP 200-210/4	22	150-200 / 224		•	
TP 200-250/4	30	150-250 / 232	•		
TP 200-280/4	37	150-250 / 245	•		≥ 0.70
TP 200-320/4	45	150-250 / 262	•		
TP 200-360/4	55	150-250 / 273	•		
TP 200-390/4	75	150-250 / 286		•	
TP 200-270/4	37	150-315 / 242	•		
TP 200-290/4	45	150-315 / 255	•		≥ 0.70
TP 200-330/4	55	150-315 / 267	•		
TP 200-400/4	75	150-315 / 290	•		
TP 200-440/4	90	150-315 / 305	•		
TP 200-500/4	110	150-315 / 322		•	
TP 200-430/4	55	150-400 / 299	•		≥ 0.70
TP 200-490/4	75	150-400 / 322	•		
TP 200-540/4	90	150-400 / 337	•		
TP 200-600/4	110	150-400 / 355	•		
TP 200-680/4	132	150-400 / 374	•		≥ 0.70
TP 200-770/4	160	150-400 / 394		•	

Minimum efficiency index

TP Series 300, 4-pole	P ₂ [kW]	Nominal impeller size / actual impeller size	Trimmed impeller	Maximum impeller	MEI
TP 300-230/4	45	250-315 / 233	•		
TP 300-270/4	55	250-315 / 254	•		≥ 0.70
TP 300-360/4	75	250-315 / 282		•	
TP 300-370/4	90	250-350 / 301	•		
TP 300-440/4	110	250-350 / 327	•		≥ 0.70
TP 300-550/4	132	250-350 / 353	•		
TP 300-630/4	160	250-350 / 370		•	
TP 300-640/4	200	250-400 / 363	•		≥ 0.70
TP 300-750/4	250	250-400 / 392		•	
TP 350-400/4	132	300-350 / 308	•		
TP 350-450/4	160	300-350 / 328	•		≥ 0.70
TP 350-540/4	200	300-350 / 347	•		
TP 350-680/4	250	300-350 / 367		•	

TP, PN 25

PN 25	P ₂ [kW]	Nominal impeller size / actual impeller size	Trimmed impeller	Maximum impeller	MEI
TP Series 300, PN 25	All				*

** Not in MEI classification because PN 25 is not a part of the MEI classification.

27. Accessories

Counterflanges

A flange kit consists of two steel flanges, two gaskets of asbestos-free material IT 200, and the requisite number of bolts.

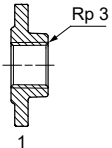
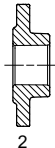
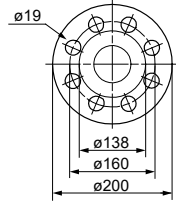
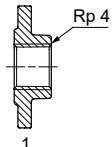
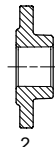
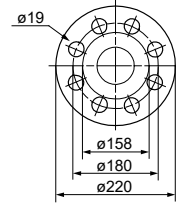
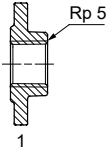
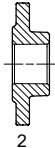
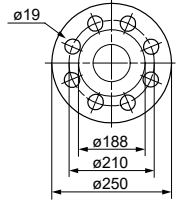
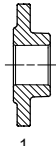
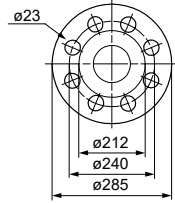
Counterflange		Pump type	Description	Rated pressure	Pipe connection	Product number
		TP, TPE 32 TPD 32	Threaded	10 bar, EN 1092-2	Rp 1 1/4	539703
			For welding	10 bar, EN 1092-2	32 mm, nominal	539704
			Threaded	16 bar, EN 1092-2	Rp 1 1/4	539703
			For welding	16 bar, EN 1092-2	32 mm, nominal	539704
		TP, TPE 40 TPD 40	Threaded	10 bar, EN 1092-2	Rp 1 1/2	539701
			For welding	10 bar, EN 1092-2	40 mm, nominal	539702
			Threaded	16 bar, EN 1092-2	Rp 1 1/2	539701
			For welding	16 bar, EN 1092-2	40 mm, nominal	539702
		TP, TPE 50 TPD 50	Threaded	10 bar, EN 1092-2	Rp 2	549801
			For welding	10 bar, EN 1092-2	50 mm, nominal	549802
			Threaded	16 bar, EN 1092-2	Rp 2	549801
			For welding	16 bar, EN 1092-2	50 mm, nominal	549802
		TP, TPE 65 TPD 65	Threaded	10 bar, EN 1092-2	Rp 2 1/2	559801
			For welding	10 bar, EN 1092-2	65 mm, nominal	559802
			Threaded	16 bar, EN 1092-2	Rp 2 1/2	559801
			For welding	16 bar, EN 1092-2	65 mm, nominal	559802

Pos.	Description
1	Threaded
2	For welding

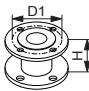
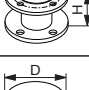
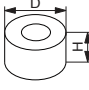
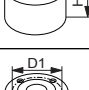
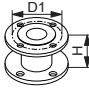
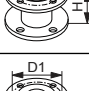
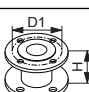
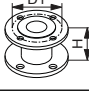
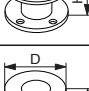
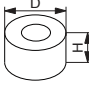
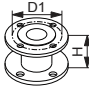
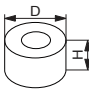
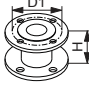
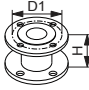
Pos.	Description
1	Threaded
2	For welding

Pos.	Description
1	Threaded
2	For welding

Pos.	Description
1	Threaded
2	For welding

Counterflange		Pump type	Description	Rated pressure	Pipe connection	Product number						
 1	 2	 TM030482	TP, TPE 80	Threaded	6 bar, EN 1092-2	Rp 3	569902					
			TPD 80	For welding	6 bar, EN 1092-2	80 mm, nominal	569901					
<table border="1"> <thead> <tr> <th>Pos.</th> <th>Description</th> </tr> </thead> <tbody> <tr> <td>1</td> <td>Threaded</td> </tr> <tr> <td>2</td> <td>For welding</td> </tr> </tbody> </table>							Pos.	Description	1	Threaded	2	For welding
Pos.	Description											
1	Threaded											
2	For welding											
			Threaded	10 bar, EN 1092-2	Rp 3	569802						
			For welding	10 bar, EN 1092-2	80 mm, nominal	569801						
			Threaded	16 bar, EN 1092-2	Rp 3	569802						
			For welding	16 bar, EN 1092-2	80 mm, nominal	569801						
 1	 2	 TM030483	TP, TPE 100	Threaded	6 bar, EN 1092-2	Rp 4	579901					
			TPD 100	For welding	6 bar, EN 1092-2	100 mm, nominal	579902					
<table border="1"> <thead> <tr> <th>Pos.</th> <th>Description</th> </tr> </thead> <tbody> <tr> <td>1</td> <td>Threaded</td> </tr> <tr> <td>2</td> <td>For welding</td> </tr> </tbody> </table>							Pos.	Description	1	Threaded	2	For welding
Pos.	Description											
1	Threaded											
2	For welding											
			Threaded	10 bar, EN 1092-2	Rp 4	99558423						
			For welding	10 bar, EN 1092-2	100 mm, nominal	579802						
			Threaded	16 bar, EN 1092-2	Rp 4	99558423						
			For welding	16 bar, EN 1092-2	100 mm, nominal	579802						
 1	 2	 TM030484	TP, TPE 125	Threaded	10 bar, EN 1092-2	Rp 5	485367					
			TPD 125	For welding	10 bar, EN 1092-2	125 mm, nominal	485368					
<table border="1"> <thead> <tr> <th>Pos.</th> <th>Description</th> </tr> </thead> <tbody> <tr> <td>1</td> <td>Threaded</td> </tr> <tr> <td>2</td> <td>For welding</td> </tr> </tbody> </table>							Pos.	Description	1	Threaded	2	For welding
Pos.	Description											
1	Threaded											
2	For welding											
			Threaded	16 bar, EN 1092-2	Rp 5	485367						
			For welding	16 bar, EN 1092-2	125 mm, nominal	485368						
			For welding	10 bar, EN 1092-2	150 mm, nominal	S1111600						
 1	 TM030485	TP, TPE 150	For welding	10 bar, EN 1092-2	150 mm, nominal	S1111600						
		TPD 150	For welding	16 bar, EN 1092-2	150 mm, nominal	S1111600						
<table border="1"> <thead> <tr> <th>Pos.</th> <th>Description</th> </tr> </thead> <tbody> <tr> <td>1</td> <td>For welding</td> </tr> </tbody> </table>							Pos.	Description	1	For welding		
Pos.	Description											
1	For welding											

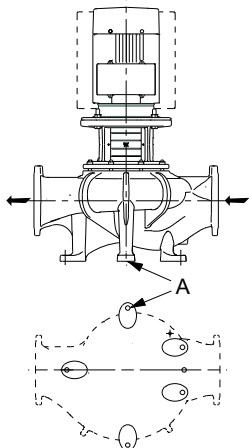
Adapter flanges for various port-to-port lengths

DN	Height (H) [mm]	Diameter, D [mm]		Pitch-circle diameter, D1 [mm]		Adapter flange	Product number	
		PN 6	PN 10/16	PN 6	PN 10/16		PN 6	PN 10/16
32	1 x 220	-	-	90	100		98848068	98848069
	1 x 120	-	-	90	100		98387529	98387530
	1 x 60	70	78	-	-		98387527	98387528
	1 x 30	70	78	-	-		98387531	98387588
40	1 x 70	-	-	100	110		539921	539721
	1 x 90	-	-	100	110		98387590	98387591
	1 x 190	-	-	100	110		98387592	98387593
50	1 x 160	-	-	110	125		98387594	98387595
	1 x 60	-	-	110	125		549924	549824
65	1 x 40	90	102	-	-		96281077	96608516
	1 x 135	-	-	130	145		98391271	98391272
80	1 x 20	110	122	-	-		98391273	98391274
	1 x 80	-	-	150	160		98391275	98391276
100	1 x 100	-	-	170	180		98391277	98391278

Base plates

Note: TPE2, TPE3 pumps are not designed to be supplied with a base plate. Base plates are supplied as standard with TP, TPE pumps with 11 kW motors and above.

Some of the TP Series 300 pumps are provided with mounting feet and cannot be supplied with a base plate. See the figure below:



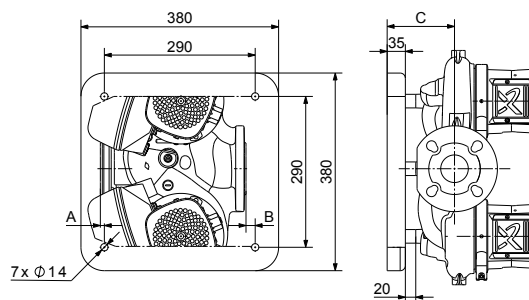
TM061083

Principal sketch of a Series 300 pump designed with mounting feet (A)

TPE2 D, TPE3 D

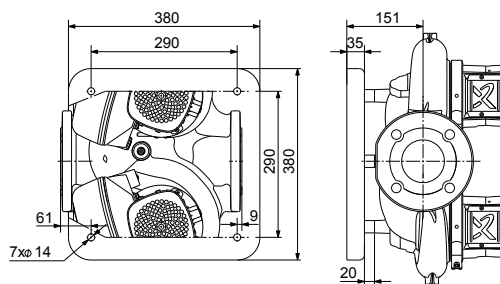
Pump type	Hexagon head screws	Product number
TPE2 D, TPE3 D 32	3 x M12 x 40 mm	99150053
TPE2 D, TPE3 D 40		99150054
TPE2 D, TPE3 D 50		99150055
TPE2 D, TPE3 D 65		99150056
TPE2 D, TPE3 D 80		99150057
TPE2 D, TPE3 D 100	3 x M12 x 16 mm	99150057

Drawing, TPE2 D, TPE3 D 32, 40, 50, 65



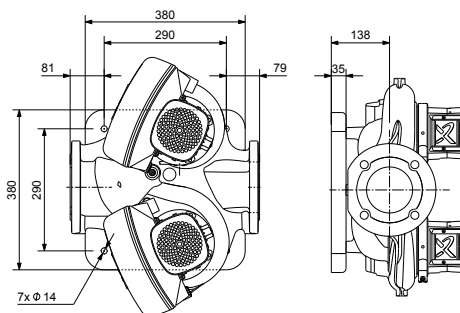
TM067445

Drawing, TPE2 D, TPE3 D 80



TM067481

Drawing, TPE2 D, TPE3 D 100



TM067482

Pump type	Dimensions [mm]			Product number
	A	B	C	
TPE2 D, TPE3 D 32	0	69	123	99150053
TPE2 D, TPE3 D 40	5	45	124	99150054
TPE2 D, TPE3 D 50	8	18	130	99150055
TPE2 D, TPE3 D 65	50	0	132	99150056
TPE2 D, TPE3 D 80				99150056
TPE2 D, TPE3 D 100				99150057

TP Series 200

Pump type	Hexagon head screws	Product number
TP 32	2 x M12 x 20 mm	96591246
TP 40		
TP 50		
TP 65-80/2, 65-160/2, 65-240/2		
TP 65-40/4, 65-80/4	2 x M16 x 30 mm	96591245
TP 80		
TP 100		

Drawing	Product number
	<p>96591246</p> <p>96591245</p>

TP, TPE Series 300

Pump type	Hexagon head screws	Product number
TP, TPE 32		
TP, TPE 40		
TP, TPE 50		
TP, TPE 65		
TP, TPE 80-xx/2		
TP 80-110/4	2 x M16 x 30 mm	00485031
TP, TPE 80-150/4		
TP, TPE 80-170/4		
TP, TPE 100-230/2		
TP, TPE 100-300/2		
TP, TPE 100-370/2		

Drawing	Product number
	<p>00485031</p>

TP, TPE Series 300

Pump type	Hexagon head screws	Product number
TP, TPE 80-230/4		
TP, TPE 80-280/4		
TP, TPE 80-340/4		
TP, TPE 80-410/4		
TP, TPE 80-460/4		
TP, TPE 80-510/4		
TP, TPE 100-350/2		
TP, TPE 100-380/2		
TP, TPE 100-530/2		
TP, TPE 100-630/2		
TP, TPE 100-700/2	2 x M16 x 30 mm	96536246
TP 100-760/2		
TP 100-940/2		
TP 100-1040/2		
TP 100-1200/2		
TP 100-1360/2		
TP 100-1510/2		
TP, TPE 100-xx/4		
TP, TPE 125-xx/4		
TP, TPE 150-xx/4		
TP, TPE 100-260/4	2 x M16 x 30 mm	98522984
TP 100-350/4		

Drawing	Product number
	<p>96536246</p> <p>98522984</p>

TPD Series 300

Pump type	Hexagon head screws	Product number
TPD 32		
TPD 40		
TPD 50		
TPD 65		
TPD 80-xx/2		
TPD 80-110/4	4 x M16 x 30 mm	96489381
TPD 80-150/4		
TPD 80-170/4		
TPD 100-230/2		
TPD 100-300/2		
TPD 100-370/2		

Drawing	Product number
	<p>96489381</p>

TPD Series 300

Pump type	Hexagon head screws	Product number
TPD 100-350/2		
TPD 100-380/2		
TPD 100-530/2		
TPD 100-630/2		
TPD 100-700/2		
TPD 100-90/4	4 x M16 x 30 mm	96536247
TPD 100-100/4		
TPD 100-130/4		
TPD 100-150/4		
TPD 100-170/4		

Drawing	Product number
	96536247

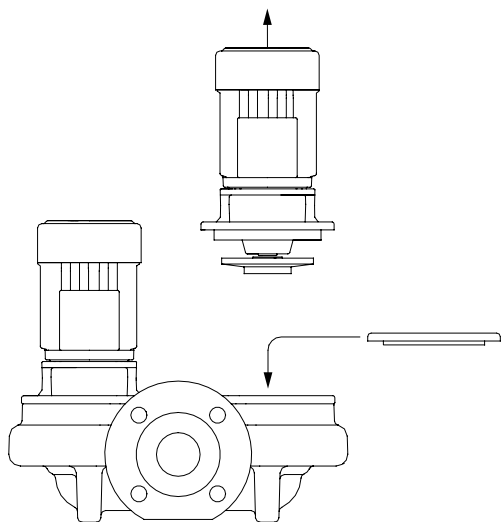
TPD Series 300

Pump type	Hexagon head screws	Product number
TPD 80-230/4		
TPD 80-280/4		
TPD 80-340/4		
TPD 80-410/4		
TPD 80-460/4		
TPD 80-510/4		
TPD 100-200/4		
TPD 100-240/4	4 x M16 x 30 mm	96536248
TPD 100-260/4		
TPD 100-290/4		
TPD 100-340/4		
TPD 100-350/4		
TPD 100-390/4		
TPD 100-470/4		
TPD 125-xx/4		
TPD 150-xx/4		

Drawing	Product number
	96536248

Blanking flanges

Normally used with twin-head pumps.



TM006360

TPE2 D, TPE3 D

Pump type	Product number
All TPE2 D, TPE3 D pumps	98159372

TPD 2-pole

Blanking flange

Pump type	96495694	96495695	96495696	96525962	96525963	96525964
TPD 32-300/2		•				
TPD 32-360/2		•				
TPD 32-450/2		•				
TPD 32-550/2		•				
TPD 32-680/2		•				
TPD 32-820/2		•				
TPD 40-400/2		•				
TPD 40-460/2		•				
TPD 40-530/2		•				
TPD 40-690/2		•				
TPD 40-820/2		•				
TPD 40-920/2		•				
TPD 50-250/2	•					
TPD 50-300/2	•					
TPD 50-350/2	•					
TPD 50-410/2	•					
TPD 50-430/2			•			
TPD 50-530/2			•			
TPD 50-640/2			•			
TPD 50-720/2			•			
TPD 50-790/2			•			
TPD 50-880/2			•			
TPD 50-1050/2			•			
TPD 65-200/2	•					
TPD 65-250/2	•					
TPD 65-340/2	•					
TPD 65-390/2	•					
TPD 65-480/2			•			
TPD 65-540/2			•			
TPD 65-630/2			•			
TPD 65-740/2			•			
TPD 65-910/2			•			
TPD 65-920/2			•			
TPD 65-1050/2			•			

Pump type	96495694	96495695	96495696	96525962	96525963	96525964
TPD 80-200/2	•					
TPD 80-240/2	•					
TPD 80-290/2	•					
TPD 80-330/2	•					
TPD 80-400/2	•					
TPD 80-480/2		•				
TPD 80-530/2		•				
TPD 80-640/2		•				
TPD 80-750/2		•				
TPD 100-230/2	•					
TPD 100-300/2	•					
TPD 100-370/2	•					
TPD 100-350/2	•					
TPD 100-380/2	•					
TPD 100-530/2	•					
TPD 100-630/2				•		
TPD 100-700/2				•		

TPD 4-pole

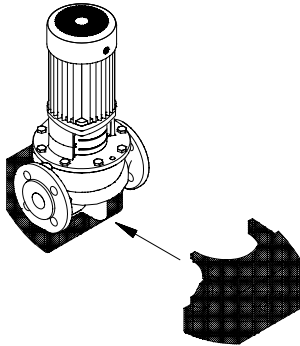
Pump type	96495694	96495695	96495696	96525962	96525963	96525964
TPD 32-120/4		•				
TPD 32-140/4		•				
TPD 32-190/4		•				
TPD 40-110/4		•				
TPD 40-150/4		•				
TPD 40-180/4		•				
TPD 40-230/4		•				
TPD 50-100/4			•			
TPD 50-115/4			•			
TPD 50-130/4			•			
TPD 50-180/4			•			
TPD 50-240/4			•			
TPD 50-270/4			•			
TPD 50-340/4			•			
TPD 65-130/4			•			
TPD 65-150/4			•			
TPD 65-190/4			•			
TPD 65-230/4			•			
TPD 65-310/4			•			
TPD 65-330/4			•			
TPD 80-110/4	•					
TPD 80-150/4		•				
TPD 80-170/4		•				
TPD 80-230/4						•
TPD 80-280/4						•
TPD 80-340/4						•
TPD 80-410/4						•
TPD 80-460/4						•
TPD 80-510/4						•
TPD 100-90/4	•					
TPD 100-100/4	•					
TPD 100-150/4	•					
TPD 100-130/4				•		
TPD 100-170/4				•		
TPD 100-260/4				•		

Pump type	96495694	96495695	96495696	96525962	96525963	96525964
TPD 100-200/4						•
TPD 100-240/4						•
TPD 100-290/4						•
TPD 100-340/4						•
TPD 100-350/4						•
TPD 100-390/4						•
TPD 100-470/4						•
TPD 125-200/4						•
TPD 125-230/4						•
TPD 125-280/4						•
TPD 125-340/4						•
TPD 125-365/4						•
TPD 125-420/4						•
TPD 125-480/4						•
TPD 150-180/4					•	
TPD 150-210/4					•	
TPD 150-240/4					•	
TPD 150-300/4					•	
TPD 150-340/4					•	

Insulating kits

Insulating kits are available for TPE2 and TPE3 pumps. The insulating kit consists of two shells.

The insulating kit is tailored to the individual pump model and encloses the entire pump housing, thus providing optimum insulation.



TM008095

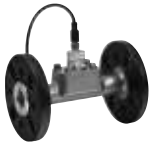
Insulating kit

Kits for TPE2, TPE3 pumps

Pump type	Product number
TPE2, TPE3 32-80/120/150/180/200	98159366
TPE2, TPE3 40-80/120/150/180/200/240	98159368
TPE2, TPE3 50-60/80/120/150/180/200/240	98159367
TPE2, TPE3 65-60/80/120/150/180/200	98159361
TPE2, TPE3 80-40/120/150/180	98159363
TPE2, TPE3 100-40/120/150/180	98159362

Sensors

Flow sensors

Grundfos Vortex flow sensor, VFI ³⁰⁾	Type	Flow range [m ³ /h]	Pipe connection	O-ring		Connection type		Product number	
				EPDM	FKM	Cast-iron flange	Stainless-steel flange		
	VFI 1.3-25 DN32 020 E	1.3 - 25	DN 32	•		•		97686141	
	VFI 1.3-25 DN32 020 F				•	•		97686142	
	VFI 1.3-25 DN32 020 E				•			•	97688297
	VFI 1.3-25 DN32 020 F					•		•	97688298
	VFI 2-40 DN40 020 E	2-40	DN 40	•		•		97686143	
	VFI 2-40 DN40 020 F				•	•		97686144	
	VFI 2-40 DN40 020 E				•			•	97688299
	VFI 2-40 DN40 020 F					•		•	97688300
	VFI 3.2-64 DN50 020 E	2-64	DN 50	•		•		97686145	
	VFI 3.2-64 DN50 020 F				•	•		97686146	
	VFI 3.2-64 DN50 020 E				•			•	97688301
	VFI 3.2-64 DN50 020 F					•		•	97688302
	VFI 5.2-104 DN65 020 E	5.2 - 104	DN 65	•		•		97686147	
	VFI 5.2-104 DN65 020 F				•	•		97686148	
	VFI 5.2-104 DN65 020 E				•			•	97688303
	VFI 5.2-104 DN65 020 F					•		•	97688304
	VFI 8-160 DN80 020 E	8-160	DN 80	•		•		97686149	
	VFI 8-160 DN80 020 F				•	•		97686150	
	VFI 8-160 DN80 020 E				•			•	97688305
	VFI 8-160 DN80 020 F					•		•	97688306
VFI 12-240 DN100 020 E	12-240	DN 100	•		•		97686151		
VFI 12-240 DN100 020 F				•	•		97686152		
VFI 12-240 DN100 020 E				•			•	97688308	
VFI 12-240 DN100 020 F					•		•	97688309	

³⁰⁾ For more information about the VFI sensor, see the data booklet "Grundfos direct sensors", publication number 97790189.

Temperature sensors

Temperature sensor, TTA

Temperature sensor with Pt100 temperature sensor fitted in a $\varnothing 6 \times 100$ mm measuring tube made of stainless steel, DIN 1.4571 and a 4-20 mA sensor built into a type B head DIN 43.729.

The connecting head is made of painted pressure die-cast aluminium with Pg 16 screwed connection, stainless screws and neoprene rubber gasket.

The sensor is built into the system either by means of a cutting ring bush or by means of one of the two matching protecting tubes $\varnothing 9 \times 100$ mm or $\varnothing 9 \times 50$ mm, respectively.

The protecting tube has a G 1/2 connection.

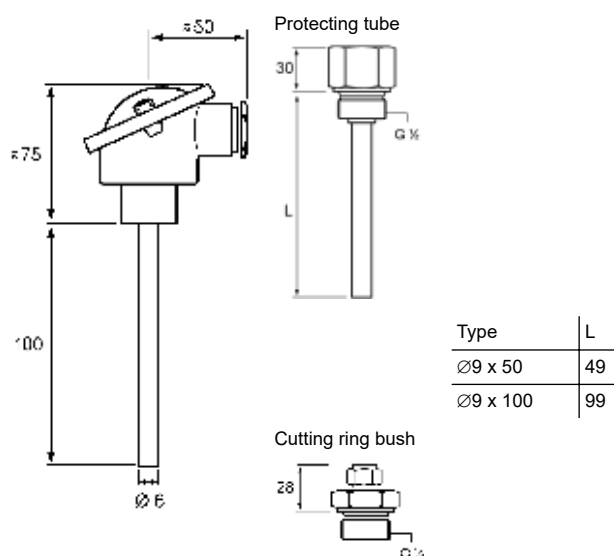
Cutting ring bush or protecting tube must be ordered separately.

Technical data

Type	TTA (-25) 25	TTA (0) 25	TTA (0) 150	TTA (50) 100
Product number	96430194	96432591	96430195	96432592
Measuring range	-25 to +25 °C	0 to +25 °C	0 to +150 °C	50 to +100 °C
Measuring accuracy	According to IEC 751, class B, 0.3 °C at 0 °C			
Response time, τ (0.9) in water 0.2 m/s	Without protecting tube:		28 seconds	
	With oil-filled protecting tube:		75 seconds	
Enclosure class	IP55			
Output signal	4-20 mA			
Supply voltage	8-35 VDC			
EMC, electromagnetic compatibility	Emission:		According to EN 50081	
	Immunity:		According to EN 50082	

Accessories

Type	Protecting tube $\varnothing 9 \times 50$ mm	Protecting tube $\varnothing 9 \times 100$ mm	Cutting ring bush
Product number	96430201	96430202	96430203
Description	Protecting tube of stainless steel SINOX SSH 2 for $\varnothing 6$ mm measuring tube. Pipe connection G 1/2.		Cutting ring bush for $\varnothing 6$ mm measuring tube. Pipe connection G 1/2.



Dimensional sketch

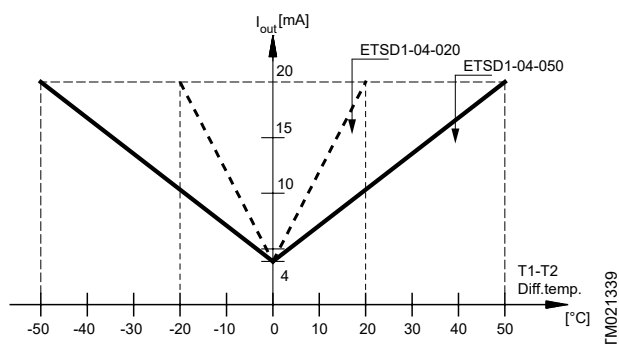
Differential-temperature sensor, HONSBERG

The temperature sensors T1 and T2 measure the temperature in their respective location at the same time. Besides the temperature measurement, the T1 features an electronic unit calculating the temperature difference between T1 and T2 and transmitting the result as a 4-20 mA signal via a current amplifier.

As the measured signal transmitted from the T2 is also a current signal, a relatively large distance is allowed between T2 and T1.

As appears from the figure below, it has no effect on the output signal, I_{out} , which of the sensors that measures the highest temperature.

Thus, the current signal generated will always be positive between 4 and 20 mA.



Sensor characteristics

Technical data

Type	ETSD1-04-020K045 + ETSD2-K045	ETSD1-04-050K045 + ETSD2-K045
Product number	96409362	96409363
Measuring range: Temperature difference (T1-T2) or (T2-T1)	0 to +20 °C	0 to +50 °C
Supply voltage	15-30 VDC	
Output signal	4-20 mA	
Measuring accuracy	± 0.3 % FS	
Repeatability	± 1 % FS	
Response time, τ (0.9)	2 minutes	
Ambient temperature	-25 to +85 °C	
Operating temperature of T1 and T2	-25 to +105 °C	
Maximum distance between T1 and T2	300 m with screened cable	
Electrical connection	Between T1 and T2: M12 x 1 plug, output signal with DIN 43650-A plug type	
Storage temperature	-45 to +125 °C	
Short-circuit-proof	Yes	
Protected against polarity reversal	Yes, up to 40 V	
Materials in contact with liquid	Stainless steel, DIN 1.4571	
Enclosure class	IP65	
EMC, electromagnetic compatibility	Emission: According to EN 50081 Immunity: According to EN 50082	

ETSD1-	04-	020	K	045	Specification
ETSD1-					Reference temperature, T1.
	04-				0 °C corresponds to 4 mA.
		020			20 °C corresponds to 20 mA.
		050			50 °C corresponds to 20 mA.
			K		Material in contact with liquid: Stainless steel, DIN 1.4571.
				045	Length of sensing element: 45 mm.

ETSD2-	K	045	Specification
ETSD2-			Reference temperature, T2.
	K		Material in contact with liquid: Stainless steel, DIN 1.4571.
		045	Length of sensing element: 45 mm.

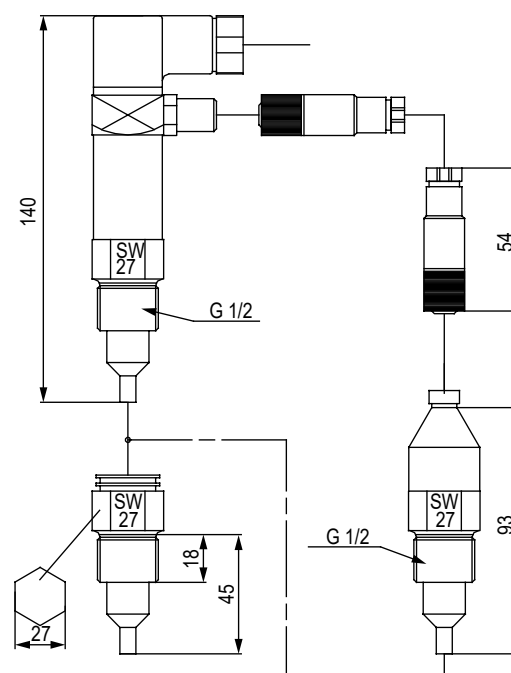
Installing the sensor

Fit the two sensors in such a way that the sensing elements are located in the middle of the flow of the liquid to be measured.

For tightening, use only the hexagon nut.

You can turn the upper part of the sensors to any position suitable for the connection of cables.

The sensors have a G 1/2 thread. See the figure below.



TM020705

Dimensional sketch

Ambient temperature sensor

Sensor type	Type	Supplier	Measuring range	Product number
Temperature sensor, ambient temperature	WR 52	tmg DK: Plesner	-50 to +50 °C	ID8295

Pressure sensors

Sensors for boosting applications

Danfoss pressure sensor kit	Pressure range [bar]	Product number
<ul style="list-style-type: none"> • Connection: G 1/2 A, DIN 16288 - B6kt • Electrical connection: plug DIN 43650 	0 - 2.5	96478188
	0-4	91072075
	0-6	91072076
	0-10	91072077
	0-16	91072078
<ul style="list-style-type: none"> • Pressure sensor, type MBS 3000, with 2 m screened cable • Connection: G 1/4 A, DIN 16288 - B6kt • 5 cable clips, black • Fitting instructions PT, 00400212 	0 - 2.5	405159
	0-4	405160
	0-6	405161
	0-10	405162
	0-16	405163


Sensors for circulation applications

Grundfos differential pressure sensor, DPI	Pressure range	Product number
<ul style="list-style-type: none"> • 1 sensor including 0.9 m screened cable, 7/16" connections • 1 original DPI bracket for wall mounting • 1 Grundfos bracket for mounting on motor • 2 M4 screws for mounting of sensor on bracket • 1 M6 screw, self-cutting, for mounting on MGE 90/100 • 1 M8 screw, self-cutting, for mounting on MGE 112/132 • 1 M10 screw, self-cutting, for mounting on MGE 160 • 1 M12 screw, self-cutting, for mounting on MGE 180 • 3 capillary tubes, short/long • 2 fittings, 1/4" - 7/16" • 5 cable clips, black • Installation and operating instructions • Service kit instruction 	0 - 0.6 bar	96611522
	0 - 1.0 bar	96611523
	0 - 1.6 bar	96611524
	0 - 2.5 bar	96611525
	0 - 4.0 bar	96611526
	0 - 6.0 bar	96611527
	0-10 bar	96611550

Select the differential pressure sensor so that the maximum pressure of the sensor is higher than the maximum differential pressure of the pump.

External Grundfos sensors

Sensor interface


Sensor interface, SI 001 PSU ¹⁾	Description	Product number
	<p>Grundfos Direct Sensors™, type SI 001 PSU, is an external power supply for the VFI, DPI and other transmitters with 24 VDC supply voltage.</p> <p>The power supply is used when the cable between transmitter and controller is more than 30 m long.</p>	96915820

¹⁾ For further information about the PSU sensor interface, see the installation and operating instructions "SI 001 PSU - sensor interface", publication number 96944355, or quick guide, publication number 96944356.

MP 204, advanced motor protection

MP 204 is an electronic motor protection for pumps. One unit covers all electrical motors from 3 to 999 A as well as voltages from 100 to 480 VAC.


Installation of MP 204 is by means of screws onto a wall or back plate, or on a mounting rail.

Component	Description	Functions
 <p>MP 204</p>	<p>MP 204 is an electronic motor protector and data collecting unit. Apart from protecting the motor, it can also send information to a CIU unit via GENIbus, like for instance:</p> <ul style="list-style-type: none"> • trip • warning • energy consumption • input power • motor temperature. <p>MP 204 protects the motor primarily by measuring the motor current by means of a true RMS measurement.</p> <p>The pump is protected secondarily by measuring the temperature with a Tempcon sensor, a Pt100/Pt1000 sensor and a PTC sensor/thermal switch.</p> <p>MP 204 is designed for single- and three-phase motors.</p>	<p>Features</p> <ul style="list-style-type: none"> • Phase-sequence monitoring • indication of current or temperature • input for PTC sensor or thermal switch • indication of temperature in °C or °F • 4-digit, 7-segment display • setting and status reading with Grundfos R100 remote control • setting and status reading via Grundfos GENIbus fieldbus. <p>Tripping conditions</p> <ul style="list-style-type: none"> • Overload • underload, dry running • temperature • missing phase • phase sequence • overvoltage • undervoltage • power factor, $\cos \phi$ • current unbalance. <p>Warnings</p> <ul style="list-style-type: none"> • Overload • underload • temperature • overvoltage • undervoltage • power factor, $\cos \phi$ • run capacitor, single-phase operation • starting capacitor, single-phase operation • loss of communication in network • harmonic distortion. <p>Learning function</p> <ul style="list-style-type: none"> • Phase sequence, three-phase operation • run capacitor, single-phase operation • starting capacitor, single-phase operation • identification and measurement of Pt100/Pt1000 sensor circuit.

Control MP 204

Control MP 204 is supplied as a plug-and-play control cabinet solution.

You can see the main switch and LED panel showing the power consumption on the front. Inside you find the MP 204 unit and optional communication interface units.

Cabinet type	Description	Functions
<p>Control MP 204</p>  <p>TM049512</p>	<p>The Control MP 204 control cabinets are supplied with all necessary components. Three types of control cabinets are available, depending on functions and starting method.</p> <p>Control MP 204 is designed for installation in a control cabinet for outdoor use.</p> <p>The control cabinets have a built-in main switch and a thermal magnetic circuit breaker.</p>	<p>Digital input</p> <ul style="list-style-type: none"> Float switch or pressure relay, if no IO 112 is used. <p>Analog input</p> <ul style="list-style-type: none"> Too high motor temperature, Tempcon thermistor/PTC, pump pressure sensor, 4-20 mA, with IO 112. <p>Relay output</p> <ul style="list-style-type: none"> Pump alarm. <p>Communication</p> <ul style="list-style-type: none"> Grundfos Remote Management. GSM/GPRS IO 112 is not supported. Modbus RTU wired IO 112 is not supported. PROFIBUS DP IO 112 not supported. <p>Protection</p> <ul style="list-style-type: none"> Protects the pump against short-circuit.

For more information about MP 204 and Control MP 204, see the data booklet "Control MP 204", publication number 97770915.

Potentiometer



TM021630

Potentiometer

Potentiometer for setpoint setting and start/stop of the pump.

Product	Product number
External potentiometer with cabinet for wall mounting	625468

Grundfos GO

Grundfos GO is used for wireless infrared or radio communication with the pumps.

MI 301

MI 301 is a module with built-in infrared and radio communication. Use MI 301 in conjunction with Android or iOS-based smart devices with a Bluetooth connection. MI 301 has rechargeable Li-ion battery and you must charge it separately.



TM053890

MI 301

Supplied with the product:

- Grundfos MI 301
- sleeve
- battery charger
- quick guide.

Product numbers

Grundfos GO variant	Product number
Grundfos MI 301	98046408

CIU communication interface units



GRA6118

Grundfos CIU communication interface unit

The CIU units enable communication of operating data, such as measured values and setpoints, between TPE pumps and a building management system. The CIU unit incorporates a 24-240 VAC/VDC power supply module and a CIM module. You can mount the CIU unit on a DIN rail or on a wall. For further information see section Communication.

We offer the following CIU units:

Description	Fieldbus protocol	Product number
CIU 100	LONWorks for pumps	96753735
CIU 150	PROFIBUS DP	96753081
CIU 200	Modbus RTU	96753082
CIU 250 ¹⁾	GSM	96787106
CIU 270 ¹⁾	GRM	96898819
CIU 300	BACnet MS/TP	96893769
CIU 500	Ethernet, BACnet IP	
CIU 500	Ethernet, Modbus TCP	
CIU 500	Ethernet, PROFINET IO	96753894
CIU 500	Ethernet, GRM IP	
CIU 500	Ethernet, EtherNet/IP	
CIU 900	CIU box without CIM	99448387
CIU 901	CIU box with IO 270 only	99448389

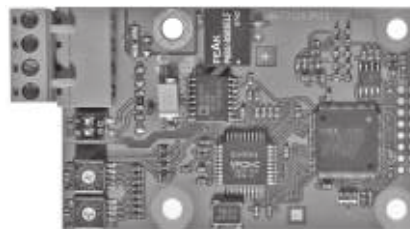
¹⁾ Antenna not included. See section Antennas and battery.

For further information about data communication via CIU units and fieldbus protocols, see the CIU documentation available in Grundfos Product Center. See section Grundfos Product Center.

Related information

[Antennas and battery](#)
30. Grundfos Product Center

CIM communication interface modules



GRA6121

Grundfos CIM communication interface module

The CIM modules enable communication of operating data, such as measured values and setpoints, between TPE pumps and a building management system. The CIM modules are add-on communication modules which are fitted in the terminal box of TPE pumps. For further information see section Communication.

Note: CIM modules must be fitted by authorised personnel.

We offer the following CIM modules:

Description	Fieldbus protocol	Product number
CIM 100	LONWorks for pumps	96824797
CIM 110	LONWorks for multipump	96824798
CIM 150	PROFIBUS DP	96824793
CIM 200	Modbus RTU	96824796
CIM 250 ¹⁾	GSM	96824795
CIM 260-EU ¹⁾	3G/4G cellular	99439302
CIM 260-US ¹⁾	3G/4G cellular	99439306
CIM 270 ¹⁾	GRM	96898815
CIM 280-EU ¹⁾	GiC/GRM 3G/4G	99439724
CIM 280-US ¹⁾	GiC/GRM 3G/4G	99439725
CIM 300	BACnet MS/TP	96893770
CIM 500	Ethernet, BACnet IP	
CIM 500	Ethernet, Modbus TCP	
CIM 500	Ethernet, PROFINET IO	98301408
CIM 500	Ethernet, GRM IP	
CIM 500	Ethernet, EtherNet/IP	

¹⁾ Antenna not included. See section Antennas and battery.

For further information about data communication via CIM modules and fieldbus protocols, see the CIM documentation available in Grundfos Product Center. See section Grundfos Product Center.

Related information

[Antennas and battery](#)
30. Grundfos Product Center

Antennas and battery

Description	Product number
Antenna for roof for CIM/CIU 250/270	97631956
Antenna for desk for CIM/CIU 250/270	97631957
Antenna (rod) 3G/4G for CIM 260/280	99043061
Antenna (puc) 3G/4G for CIM 260/280	99518079
CIM 250 battery	99499908

EMC filter

EMC, electromagnetic compatibility to EN 61800-3

Motor [kW]		Emission/immunity
2-pole	4-pole	
0.37	0.37	Emission: Motors may be installed in residential areas (first environment), unrestricted distribution, corresponding to CISPR11, group 1, class B. Immunity: Motors fulfil the requirements for both the first and second environment.
0.55	0.55	
0.75	0.75	
1.1	1.1	
1.5	1.5	
2.2	2.2	
3.0	3.0	
4.0	4.0	
5.5	-	
-	5.5	
7.5	7.5	
11	-	If fitted with an external Grundfos EMC filter, the motors are category C2, corresponding to CISPR11, group 1, class A, and may be installed in residential areas (first environment).



TM029198

EMC filter

The EMC filter for residential areas is available as a complete kit ready for installation.

Product	Product number
EMC filter, TPE 5.5 kW, 4-pole and 7.5 kW	96041047
EMC filter, TPE 11 kW, 2-pole	96478309

28. Minimum inlet pressure - NPSH

To ensure optimum and noiseless operation, we recommend that you use the minimum inlet pressure values shown in sections TPE2, TPE2 D, TPE3, TPE3 D to TP, TPD, 6-pole, PN 16.

A minimum inlet pressure is required to avoid pressure drop that may cause cavitation.

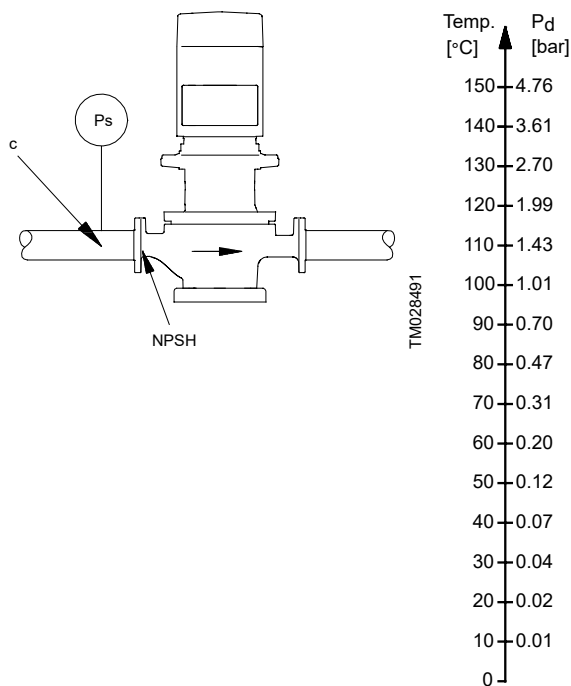
$$p_s \geq \left(NPSH_R \times \rho \times g - \frac{1}{2} \times \rho \times c^2 \right) \times 0.00001 - p_b + p_d \quad \text{[bar relative]}$$

- p_s = Minimum inlet pressure in bar.
- $NPSH_R$ = The required Net Positive Suction Head in m head, to be read from the NPSH curve at the highest flow the pump will be delivering.
- ρ = Density of the pumped liquid measured in kg/m^3 .
- g = Gravitational acceleration measured in m/s . For estimated calculations use the value $9.81 m/s^2$.
- c = Flow velocity of the pumped liquid at the pressure gauge. Insert the flow velocity as the unit $[m/s]$.
- p_b = See individual curve charts from section How to read the curve charts.

Use the following formula to calculate the minimum inlet pressure, p_s in bar relative. The pressure gauge value on the pump inlet side.

Note: Base the calculation of the minimum inlet pressure on the maximum required flow.

- p_b = Barometric pressure in bar.
Set the barometric pressure to 0.97 bar.
Note: Only occasionally the pressure is as high as 1 bar; this value is also at sea level.
- p_d = Vapour pressure in bar. See the figure below.



Minimum inlet pressure

Related information

[How to read the curve charts](#)

[TP, TPE, TPD 2-pole, PN 6, 10, 16, 25](#)

[TP, TPE, TPD 4-pole, PN 6, 10, 16, 25](#)

TPE2, TPE2 D, TPE3, TPE3 D

Pump type	p [bar]				
	20 °C	60 °C	90 °C	110 °C	120 °C
TPE2, TPE2 D, TPE3, TPE3 D 32-80	0.1	0.1	0.2	0.9	1.5
TPE2, TPE2 D, TPE3, TPE3 D 32-120	0.1	0.1	0.2	0.9	1.5
TPE2, TPE2 D, TPE3, TPE3 D 32-150	0.1	0.1	0.4	1.1	1.7
TPE2, TPE2 D, TPE3, TPE3 D 32-180	0.1	0.2	0.6	1.3	1.9
TPE2, TPE2 D, TPE3, TPE3 D 32-200	0.2	0.4	0.9	1.6	2.2
TPE2, TPE2 D, TPE3, TPE3 D 40-80	0.1	0.1	0.2	0.9	1.5
TPE2, TPE2 D, TPE3, TPE3 D 40-120	0.1	0.1	0.2	0.9	1.5
TPE2, TPE2 D, TPE3, TPE3 D 40-150	0.1	0.1	0.5	1.2	1.8
TPE2, TPE2 D, TPE3, TPE3 D 40-180	0.1	0.1	0.6	1.3	1.9
TPE2, TPE2 D, TPE3, TPE3 D 40-200	0.1	0.2	0.7	1.4	2.0
TPE2, TPE2 D, TPE3, TPE3 D 40-240	0.1	0.3	0.8	1.5	2.1
TPE2, TPE2 D, TPE3, TPE3 D 50-60	0.1	0.1	0.5	1.2	1.8
TPE2, TPE2 D, TPE3, TPE3 D 50-80	0.1	0.3	0.8	1.5	2.1
TPE2, TPE2 D, TPE3, TPE3 D 50-120	0.4	0.6	1.1	1.8	2.4
TPE2, TPE2 D, TPE3, TPE3 D 50-150	0.6	0.8	1.3	2.0	2.6
TPE2, TPE2 D, TPE3, TPE3 D 50-180	0.7	0.9	1.4	2.1	2.7
TPE2, TPE2 D, TPE3, TPE3 D 50-200	0.9	1.1	1.6	2.3	2.9
TPE2, TPE2 D, TPE3, TPE3 D 50-240	0.9	1.1	1.6	2.3	2.9
TPE2, TPE2 D, TPE3, TPE3 D 65-60	0.1	0.1	0.2	0.9	1.5
TPE2, TPE2 D, TPE3, TPE3 D 65-80	0.1	0.1	0.3	1.1	1.7
TPE2, TPE2 D, TPE3, TPE3 D 65-120	0.1	0.2	0.6	1.4	2.0
TPE2, TPE2 D, TPE3, TPE3 D 65-150	0.1	0.2	0.7	1.5	2.1
TPE2, TPE2 D, TPE3, TPE3 D 65-180	0.3	0.5	1.0	1.8	2.4
TPE2, TPE2 D, TPE3, TPE3 D 65-200	0.6	0.8	1.3	2.1	2.7
TPE2, TPE2 D, TPE3, TPE3 D 80-40	0.1	0.1	0.3	1	1.6
TPE2, TPE2 D, TPE3, TPE3 D 80-120	0.1	0.3	0.9	1.5	2.1
TPE2, TPE2 D, TPE3, TPE3 D 80-150	0.1	0.3	0.9	1.5	2.1
TPE2, TPE2 D, TPE3, TPE3 D 80-180	0.3	0.5	1.1	1.7	2.3
TPE2, TPE2 D, TPE3, TPE3 D 100-40	0.1	0.1	0.4	1.1	1.7
TPE2, TPE2 D, TPE3, TPE3 D 100-120	0.1	0.1	0.6	1.3	1.9
TPE2, TPE2 D, TPE3, TPE3 D 100-150	0.1	0.2	0.7	1.4	2.0
TPE2, TPE2 D, TPE3, TPE3 D 100-180	0.1	0.3	0.8	1.5	2.1

TP, TPE, TPD 2-pole, PN 6, 10, 16, 25

Pump type	p [bar]						
	20 °C	60 °C	90 °C	110 °C	120 °C	140 °C	150 °C
TP 32-80/2	0.4	0.4	0.4	1.2	1.7	3.4	-
TP 32-160/2	0.4	0.6	1.1	1.9	2.4	4.1	-
TP 32-220/2	0.7	0.9	1.4	2.2	2.7	4.4	-
TP 32-260/2	0.7	0.9	1.4	2.2	2.7	4.4	-
TP 32-330/2	0.7	0.9	1.4	2.2	2.7	4.4	-
TP, TPD 32-300/2	0.1	0.1	0.1	0.7	1.2	2.8	-
TP, TPD 32-360/2	0.1	0.1	0.1	0.7	1.2	2.8	-
TP, TPD 32-450/2	0.1	0.1	0.1	0.7	1.2	2.8	-
TP, TPD 32-550/2	0.1	0.1	0.1	0.7	1.2	2.9	-
TP, TPD 32-680/2	0.1	0.1	0.2	0.9	1.5	3.1	-
TP, TPD 32-820/2	0.5	0.7	1.2	1.9	2.5	4.1	-
TP 40-80/2	0.1	0.3	0.8	1.6	2.1	3.8	-
TP 40-160/2	0.1	0.2	0.7	1.5	2.0	3.7	-
TP 40-240/2	0.4	0.6	1.1	1.9	2.4	4.1	-
TP 40-270/2	0.7	0.9	1.4	2.2	2.7	4.4	-
TP 40-330/2	0.7	0.9	1.4	2.2	2.7	4.4	-
TP 40-390/2	0.7	0.9	1.4	2.2	2.7	4.4	-
TP, TPD 40-400/2	0.1	0.1	0.1	0.9	1.4	3.1	-
TP, TPD 40-460/2	0.1	0.1	0.3	1.0	1.6	3.2	-
TP, TPD 40-530/2	0.1	0.1	0.4	1.1	1.7	3.3	-
TP, TPD 40-690/2	0.1	0.2	0.7	1.4	2.0	3.6	-
TP, TPD 40-820/2	0.1	0.3	0.8	1.6	2.1	3.7	-
TP, TPD 40-920/2	0.4	0.6	1.1	1.8	2.4	4.0	-
TP 50-80/2	0.1	0.1	0.6	1.4	1.9	3.6	-
TP 50-160/2	0.4	0.6	1.1	1.9	2.4	4.1	-
TP 50-240/2	0.3	0.5	1.0	1.8	2.3	4.0	-
TP, TPD 50-250/2	0.1	0.1	0.2	1.0	1.5	3.1	-
TP, TPD 50-300/2	0.1	0.1	0.3	1.0	1.6	3.2	-
TP, TPD 50-350/2	0.1	0.1	0.3	1.0	1.6	3.2	-
TP, TPD 50-410/2	0.1	0.1	0.4	1.1	1.6	3.3	-
TP, TPD 50-430/2	0.1	0.1	0.4	1.1	1.7	3.3	-
TP, TPD 50-530/2	0.1	0.1	0.5	1.3	1.8	3.5	-
TP, TPD 50-640/2	0.1	0.1	0.6	1.4	1.9	3.5	-
TP, TPD 50-720/2	0.1	0.3	0.8	1.6	2.1	3.7	-
TP, TPD 50-790/2	0.5	0.7	1.2	1.9	2.5	4.1	-
TP, TPD 50-880/2	0.8	1.0	1.5	2.2	2.8	4.4	-
TP 50-1050/2	1.1	1.3	1.8	2.5	3.1	4.7	-
TP 65-80/2	0.6	0.8	1.3	2.1	2.6	4.3	-
TP 65-160/2	1.1	1.3	1.8	2.6	3.1	4.8	-
TP 65-240/2	0.9	1.1	1.6	2.4	2.9	4.6	-
TP, TPD 65-200/2	0.1	0.1	0.3	1.0	1.5	3.2	-
TP, TPD 65-250/2	0.1	0.1	0.4	1.1	1.7	3.3	-
TP, TPD 65-340/2	0.1	0.1	0.2	1.0	1.5	3.1	-
TP, TPD 65-390/2	0.1	0.1	0.3	1.0	1.5	3.2	-
TP, TPD 65-480/2	0.1	0.1	0.3	1.0	1.6	3.2	-
TP, TPD 65-540/2	0.1	0.1	0.3	1.1	1.6	3.2	-
TP, TPD 65-630/2	0.1	0.1	0.4	1.1	1.7	3.3	-
TP, TPD 65-740/2	0.1	0.1	0.6	1.3	1.9	3.5	-
TP, TPD 65-910/2	0.1	0.2	0.7	1.5	2.0	3.6	-
TP, TPD 65-920/2	0.1	0.2	0.7	1.4	2.0	3.6	-
TP, TPD 65-1050/2	0.1	0.2	0.7	1.5	2.0	3.6	-
TP 80-160/2	2.1	2.3	2.8	3.6	4.1	5.8	-

Pump type	p [bar]						
	20 °C	60 °C	90 °C	110 °C	120 °C	140 °C	150 °C
TP, TPD 80-200/2	0.5	0.7	1.2	1.9	2.5	4.1	-
TP, TPD 80-240/2	0.1	0.2	0.7	1.4	2.0	3.6	-
TP, TPD 80-290/2	0.1	0.3	0.8	1.5	2.1	3.7	-
TP, TPD 80-330/2	0.2	0.4	0.9	1.7	2.2	3.8	-
TP, TPD 80-400/2	0.6	0.8	1.3	2.1	2.6	4.2	-
TP, TPD 80-480/2	0.1	0.3	0.8	1.5	2.1	3.7	-
TP, TPD 80-530/2	0.2	0.4	0.9	1.6	2.1	3.8	-
TP, TPD 80-640/2	0.6	0.8	1.3	2.0	2.6	4.2	-
TP, TPD 80-750/2	0.6	0.8	1.3	2.0	2.6	4.2	-
TP, TPD 100-230/2	0.4	0.6	1.1	1.9	2.4	4.0	-
TP, TPD 100-300/2	0.2	0.4	0.9	1.6	2.2	3.8	-
TP, TPD 100-370/2	0.3	0.5	1.0	1.7	2.3	3.9	-
TP, TPD 100-350/2	0.9	1.1	1.6	2.3	2.9	4.5	-
TP, TPD 100-380/2	1.2	1.4	1.9	2.6	3.2	4.8	-
TP, TPD 100-530/2	1.7	1.9	2.4	3.2	3.7	5.3	-
TP, TPD 100-630/2	1.4	1.6	2.1	2.8	3.3	5.0	-
TP, TPD 100-700/2	3.0	3.2	3.7	4.4	5.0	6.6	-
TP 100-760/2	1.7	1.9	2.3	3.3	3.8	5.4	6.7
TP 100-940/2	1.6	1.8	2.2	3.2	3.7	5.3	6.6
TP 100-1040/2	1.6	1.8	2.2	3.2	3.7	5.3	6.6
TP 100-1200/2	1.9	2.1	2.5	3.5	4.0	5.6	6.9
TP 100-1360/2	1.8	2.0	2.4	3.4	3.9	5.5	6.8
TP 100-1510/2	1.8	2.0	2.4	3.4	3.9	5.5	6.8

TP, TPE, TPD 4-pole, PN 6, 10, 16, 25

Pump type	p [bar]						
	20 °C	60 °C	90 °C	110 °C	120 °C	140 °C	150 °C
TP 32-40/4	0.1	0.1	0.1	0.9	1.4	3.1	-
TP 32-80/4	0.1	0.1	0.5	1.3	1.8	3.5	-
TP, TPD 32-120/4	0.1	0.1	0.1	0.7	1.3	2.9	-
TP, TPD 32-140/4	0.1	0.1	0.1	0.7	1.3	2.9	-
TP, TPD 32-190/4	0.1	0.1	0.1	0.8	1.4	3.0	-
TP 40-40/4	0.1	0.1	0.3	1.1	1.6	3.3	-
TP 40-80/4	0.1	0.1	0.2	1.0	1.5	3.2	-
TP, TPD 40-110/4	0.1	0.1	0.1	0.6	1.2	2.8	-
TP, TPD 40-150/4	0.1	0.1	0.1	0.7	1.3	2.9	-
TP, TPD 40-180/4	0.1	0.1	0.1	0.7	1.3	2.9	-
TP, TPD 40-230/4	0.1	0.1	0.1	0.8	1.3	3.0	-
TP 50-40/4	0.1	0.1	0.3	1.1	1.6	3.3	-
TP 50-80/4	0.1	0.1	0.3	1.1	1.6	3.3	-
TP, TPD 50-100/4	0.1	0.1	0.1	0.7	1.3	2.9	-
TP, TPD 50-115/4	0.1	0.1	0.1	0.8	1.4	3.0	-
TP, TPD 50-130/4	0.1	0.1	0.1	0.9	1.4	3.0	-
TP, TPD 50-180/4	0.1	0.1	0.1	0.8	1.3	3.0	-
TP, TPD 50-240/4	0.1	0.1	0.2	0.9	1.5	3.1	-
TP, TPD 50-270/4	0.1	0.1	0.3	1.0	1.6	3.2	-
TP, TPD 50-340/4	0.1	0.2	0.7	1.4	2.0	3.6	-
TP 65-40/4	0.4	0.6	1.1	1.9	2.4	4.1	-
TP 65-80/4	0.7	0.9	1.4	2.2	2.7	4.4	-
TP, TPD 65-130/4	0.1	0.1	0.1	0.6	1.2	2.8	-
TP, TPD 65-150/4	0.1	0.1	0.1	0.6	1.2	2.8	-
TP, TPD 65-190/4	0.1	0.1	0.1	0.6	1.2	2.8	-
TP, TPD 65-230/4	0.1	0.1	0.1	0.7	1.3	2.9	-
TP, TPD 65-310/4	0.1	0.1	0.1	0.7	1.3	2.9	-
TP, TPD 65-330/4	0.1	0.1	0.1	0.3	0.8	2.5	-
TP 80-40/4	1.5	1.7	2.2	3.0	3.5	5.2	-
TP 80-80/4	1.6	1.8	2.3	3.1	3.6	5.3	-
TP, TPD 80-110/4	0.1	0.1	0.1	0.8	1.4	3.0	-
TP, TPD 80-150/4	0.1	0.1	0.1	0.8	1.3	2.9	-
TP, TPD 80-170/4	0.1	0.1	0.1	0.8	1.3	3.0	-
TP, TPD 80-230/4	0.1	0.1	0.3	1.0	1.6	3.2	-
TP, TPD 80-280/4	0.1	0.1	0.2	1.0	1.5	3.1	-
TP, TPD 80-340/4	0.1	0.1	0.3	1.0	1.6	3.2	-
TP, TPD 80-410/4	0.1	0.1	0.5	1.2	1.8	3.4	-
TP, TPD 80-460/4	0.1	0.1	0.6	1.3	1.9	3.5	-
TP, TPD 80-510/4	0.1	0.2	0.7	1.5	2.0	3.6	-
TP 100-40/4	1.4	1.6	2.1	2.9	3.4	5.1	-
TP 100-90/4	0.1	0.1	0.2	0.9	1.5	3.1	-
TP, TPD 100-100/4	0.1	0.1	0.2	0.9	1.5	3.1	-
TP, TPD 100-130/4	0.1	0.1	0.3	1.0	1.6	3.2	-
TP, TPD 100-150/4	0.1	0.1	0.6	1.3	1.9	3.5	-
TP, TPD 100-170/4	0.1	0.1	0.6	1.3	1.9	3.5	-
TP, TPD 100-200/4	0.1	0.1	0.4	1.1	1.7	3.3	4.6
TP, TPD 100-240/4	0.1	0.1	0.6	1.3	1.9	3.5	4.8
TP, TPD 100-260/4	0.6	0.8	1.3	2.1	2.7	4.3	5.6
TP, TPD 100-290/4	0.5	0.7	1.2	2.0	2.5	4.1	5.4
TP, TPD 100-340/4	0.6	0.8	1.3	2.0	2.6	4.2	5.5
TP, TPD 100-350/4	0.2	0.4	0.9	1.7	2.3	3.9	5.2
TP, TPD 100-390/4	0.7	0.9	1.4	2.1	2.7	4.3	5.6

Pump type	p [bar]						
	20 °C	60 °C	90 °C	110 °C	120 °C	140 °C	150 °C
TP, TPD 100-470/4	0.9	1.1	1.6	2.3	2.9	4.5	5.8
TP 100-560/4	0.1	0.3	0.7	1.7	2.2	3.8	5.1
TP 125-80/4	0.1	0.1	0.1	0.8	1.4	3.0	-
TP 125-110/4	0.1	0.1	0.2	0.9	1.5	3.1	-
TP 125-135/4	0.1	0.1	0.3	1.1	1.6	3.3	-
TP, TPD 125-130/4	0.1	0.1	0.3	1.0	1.6	3.2	-
TP, TPD 125-160/4	0.1	0.1	0.3	1.1	1.6	3.2	-
TP, TPD 125-200/4	0.1	0.1	0.2	0.9	1.4	3.1	-
TP, TPD 125-230/4	0.1	0.1	0.4	1.1	1.7	3.3	-
TP 125-220/4	0.1	0.1	0.4	1.1	1.7	3.3	4.5
TP, TPD 125-280/4	0.1	0.1	0.4	1.1	1.7	3.3	4.5
TP, TPD 125-340/4	0.1	0.1	0.5	1.2	1.8	3.4	4.6
TP, TPD 125-365/4	0.3	0.5	1.0	1.7	2.3	3.9	5.2
TP, TPD 125-420/4	0.1	0.1	0.3	1.0	1.6	3.2	4.5
TP, TPD 125-480/4	0.1	0.1	0.5	1.2	1.8	3.4	4.7
TP 125-550/4	0.1	0.3	0.7	1.7	2.2	3.8	5.1
TP 125-580/4	0.1	0.3	0.7	1.7	2.2	3.8	5.1
TP 150-130/4	0.1	0.1	0.5	1.2	1.8	3.4	-
TP 150-160/4	0.1	0.2	0.7	1.5	2.0	3.6	-
TP 150-200/4	0.2	0.4	0.9	1.6	2.1	3.8	-
TP 150-220/4	0.3	0.5	1.0	1.7	2.3	3.9	-
TP, TPD 150-180/4	0.1	0.2	0.7	1.4	1.9	3.6	4.9
TP, TPD 150-210/4	0.1	0.2	0.7	1.4	2.0	3.6	4.9
TP, TPD 150-240/4	0.1	0.2	0.7	1.5	2.0	3.6	4.9
TP, TPD 150-300/4	0.1	0.3	0.8	1.5	2.1	3.7	5.0
TP, TPD 150-340/4	0.1	0.3	0.8	1.5	2.1	3.7	5.0
TP 150-360/4	0.3	0.5	1.0	1.8	2.3	4.0	5.3
TP 150-400/4	0.1	0.1	0.1	0.8	1.4	3.1	4.4
TP 150-440/4	0.1	0.1	0.4	1.1	1.7	3.3	4.6
TP 150-480/4	0.1	0.1	0.5	1.3	1.8	3.4	4.7
TP 150-610/4	0.1	0.2	0.7	1.4	2.0	3.6	4.9
TP 150-700/4	0.1	0.3	0.8	1.5	2.1	3.7	5.0
TP 150-810/4	0.3	0.4	0.9	1.7	2.2	3.8	5.1
TP 150-960/4	0.4	0.6	1.1	1.8	2.3	3.8	5.1
TP 200-80/4	0.9	1.1	1.6	2.3	2.9	4.5	-
TP 200-110/4	0.5	0.6	1.1	1.9	2.4	4.0	-
TP 200-140/4	0.3	0.5	1.0	1.7	2.3	3.9	-
TP 200-190/4	0.2	0.4	0.9	1.6	2.2	3.8	-
TP 200-210/4	0.1	0.2	0.7	1.4	2.0	3.6	-
TP 200-250/4	0.9	1.0	1.5	2.3	2.8	4.4	5.7
TP 200-280/4	0.7	0.9	1.4	2.1	2.7	4.3	5.6
TP 200-320/4	0.6	0.8	1.3	2.0	2.6	4.2	5.5
TP 200-360/4	0.4	0.6	1.1	1.8	2.4	4.0	5.3
TP 200-390/4	0.3	0.5	1.0	1.7	2.2	3.9	5.2
TP 200-400/4	0.1	0.1	0.6	1.3	1.9	3.6	4.9
TP 200-430/4	0.1	0.1	0.6	1.4	1.9	3.6	4.9
TP 200-440/4	0.1	0.2	0.7	1.5	2.0	3.7	5.0
TP 200-490/4	0.1	0.1	0.1	0.8	1.4	3.1	4.4
TP 200-500/4	0.2	0.4	0.9	1.6	2.2	3.9	5.2
TP 200-540/4	0.1	0.1	0.1	0.8	1.4	3.1	4.4
TP 200-600/4	0.1	0.1	0.1	0.8	1.4	3.1	4.4
TP 200-680/4	0.1	0.1	0.1	0.8	1.4	3.1	4.4

Minimum inlet pressure - NPSH

Pump type	p [bar]						
	20 °C	60 °C	90 °C	110 °C	120 °C	140 °C	150 °C
TP 200-770/4	0.1	0.2	0.7	1.4	2.0	3.7	5.0
TP 300-230/4	0.8	1.0	1.4	2.4	2.9	4.5	5.8
TP 300-270/4	0.7	0.9	1.3	2.3	2.8	4.4	5.7
TP 300-360/4	0.7	0.9	1.3	2.3	2.8	4.4	5.7
TP 300-370/4	0.8	1.0	1.4	2.4	2.9	4.5	5.8
TP 300-440/4	0.8	1.0	1.4	2.4	2.9	4.5	5.8
TP 300-550/4	0.8	1.0	1.4	2.4	2.9	4.5	5.8
TP 300-630/4	0.8	1.0	1.4	2.4	2.9	4.5	5.8
TP 300-640/4	0.7	0.9	1.3	2.3	2.8	4.4	5.7
TP 300-750/4	0.7	0.9	1.3	2.3	2.8	4.4	5.7
TP 350-400/4	2.0	2.2	2.6	3.6	4.1	5.7	7.0
TP 350-450/4	2.0	2.2	2.6	3.6	4.1	5.7	7.0
TP 350-540/4	2.0	2.2	2.6	3.6	4.1	5.7	7.0
TP 350-680/4	2.0	2.2	2.6	3.6	4.1	5.7	7.0

29. Key application data

Dear customer,

If you need an ATEX certificate or if you cannot select the pump on the basis of the guidelines in section Pumped liquids, please fill in the following form in cooperation with a Grundfos representative. This will help to ensure that Grundfos supplies you with a pump solution adapted to meet exactly your needs in terms of pump type, pump materials, shaft seal type, elastomers and accessories.

Customer information

Company name:	Project title:
Customer number:	Reference number:
Phone number:	Customer contact:
Fax number:	
Email address:	

Quotation made by:

Company name:	Prepared by:	
Phone number:	Date:	Page 1 of
Fax number:	Quotation number:	
Email address:		

Related information

[Pumped liquids](#)

Operating conditions

Pumped liquid

Type of liquid: _____

Chemical composition, if available: _____

Distilled or demineralised water? Yes: _____ No: _____

Conductivity of distilled/demineralised water: _____ [$\mu\text{S}/\text{cm}$]

Minimum liquid temperature: _____ [$^{\circ}\text{C}$]

Maximum liquid temperature: _____ [$^{\circ}\text{C}$]

Vapour pressure of liquid: _____ [bar]

Liquid concentration: _____ %

Liquid pH value: _____

Dynamic liquid viscosity: _____ [cP] = [mPa s]

Kinematic liquid viscosity: _____ [cSt] = [mm²/s]

Liquid density: _____ [kg/m³]

Specific heat capacity of liquid: _____ [kJ/(kg·K)]

Air or gas in liquid? Yes: _____ No: _____

Solids in liquid? Yes: _____ No: _____

Contents of solids in liquid, if available: _____ % of mass

Additives in liquid? Yes: _____ No: _____

Does the liquid crystallise? Yes: _____ No: _____

When does crystallisation happen? _____

Does the liquid get sticky when volatiles evaporate from the pumped liquid? Yes: _____ No: _____

Description of 'sticky' circumstances: _____

Is the liquid hazardous or poisonous? Yes: _____ No: _____

Special measures to be taken into account when dealing with this hazardous or poisonous liquid: _____

Special measures for handling this liquid: _____

CIP liquid, cleaning-in-place

Type of liquid: _____

Chemical composition, if available: _____

Liquid temperature during operation: _____ [$^{\circ}\text{C}$]

Maximum liquid temperature: _____ [$^{\circ}\text{C}$]

Vapour pressure of liquid: _____ [bar]

Liquid concentration: _____ %

Liquid pH value: _____

Pump sizing

Main duty point: Q: _____ [m³/h] H: _____ [m]

Maximum duty point: Q: _____ [m³/h] H: _____ [m]

Minimum duty point: Q: _____ [m³/h] H: _____ [m]

Ambient operating conditions

Ambient temperature: _____ [$^{\circ}\text{C}$]

Altitude above sea level: _____ [m]

Pressure

Minimum inlet pressure: _____ [bar]

Maximum inlet pressure: _____ [bar]

Outlet pressure, inlet pressure and head: _____ [bar]

ATEX marking

Required marking of the pump

Customer's equipment group, e.g. II: _____

Customer's equipment category, e.g. 2, 3: _____

Gas, G, and/or dust, D: Gas (G): _____ Dust (D): _____ Gas and dust (G/D): _____

Required marking of the motor

Protection type, e.g. d, de, e, nA:

Maximum experimental safe gap, e.g. B, C:

Temperature class

gas, e.g. T3, T4, T5:

dust, e.g. 125 °C: _____ [°C]

Description/sketch

Detailed description of ATEX application

Attach a drawing, if possible:

ATEX certificate required

Yes: _____ No: _____

Frequency converter

Frequency converter option wanted?

Yes: _____ No: _____

Control parameter:

Pressure: _____ Temperature: _____ Flow rate: _____ Other: _____

Detailed description of requirements

Attach a drawing, if possible:

System information

Please provide us with information about your system and a simple sketch if possible. This gives us an idea as to whether you need accessories or monitoring equipment, or whether you already have a suitable system which makes it unnecessary to attach any further equipment.

30. Grundfos Product Center

Online search and sizing tool to help you make the right choice.

From the international view, you can select your specific country to view the product range available to you.

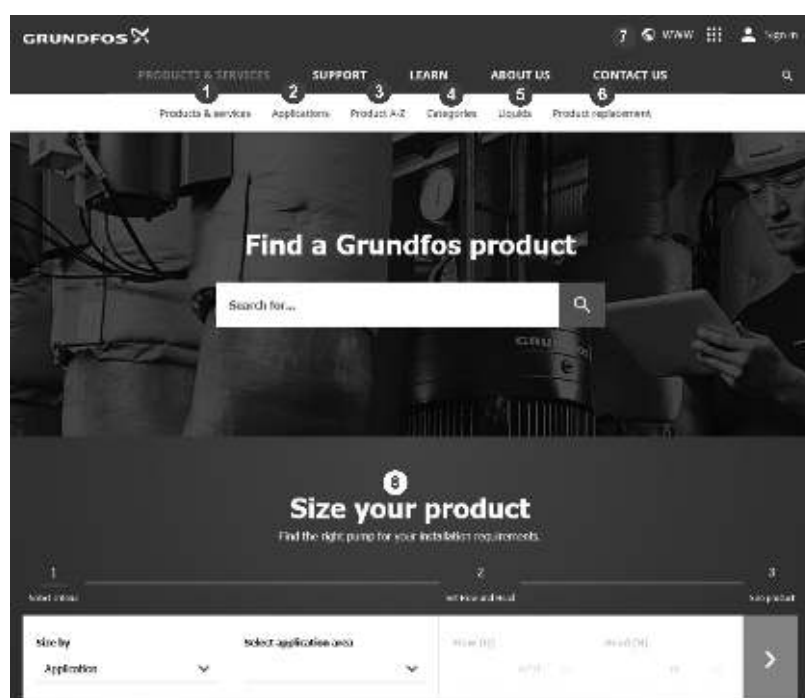
International view: <https://product-selection.grundfos.com>

All the information you need in one place

Performance curves, technical specifications, pictures, dimensional drawings, motor curves, wiring diagrams, spare parts, service kits, 3D drawings, documents, system parts. The Product Center displays any recent and saved items - including complete projects - right on the main page.

Downloads

On the product pages, you can download installation and operating instructions, data booklets, service instructions, etc., in PDF format.



When you select your country, you will see the menus below. Note that some menus may not be available depending on the country.

Example: <https://product-selection.grundfos.com/uk>

Pos.	Description
1	Products & services enables you to find products and documents by typing a product number or name into the search field.
2	Applications enables you to choose an application to see how Grundfos can help you design and optimise your system.
3	Products A-Z enables you to look through a list of all the Grundfos products.
4	Categories enables you to look for a product category.
5	Liquids enables you to find pumps designed for aggressive, flammable or other special liquids.
6	Product replacement enables you to find a suitable replacement.
7	WWW enables you to select the country, which changes the language, the available product range and the structure of the website.
8	Sizing enables you to size a product based on your application and operating conditions.

V7152685 05.2023
ECM: 1365665

GRUNDFOS Holding A/S
Poul Due Jensens Vej 7
DK-8850 Bjerringbro
Tel: +45 87 50 14 00
www.grundfos.com

GRUNDFOS 