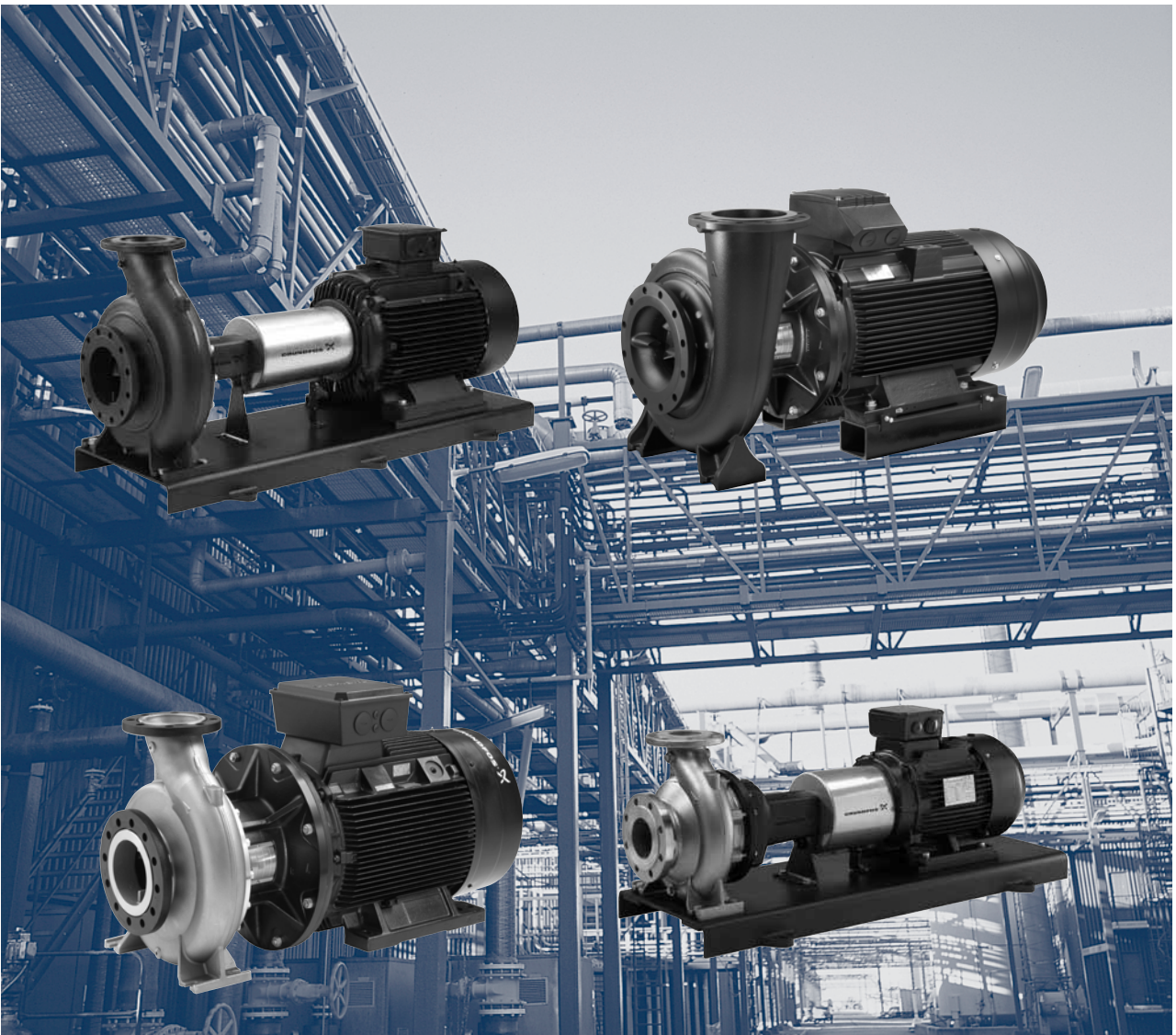


NB, NBG, NK, NKG

125-400/150-125-400/150-315.1/ 200-150-315.1

According to EN 733 or ISO 2858

60 Hz



1. Introduction	3
Introduction	3
2. Performance range	4
NB, 2-pole	4
NK, 2-pole	5
NBG, 2-pole	6
NKG, 2-pole	7
NB, 4-pole	8
NK, 4-pole	9
NBG, 4-pole	10
NKG, 4-pole	11
NB, 6-pole	12
NK, 6-pole	13
NBG, 6-pole	14
NKG, 6-pole	15
3. Product range	16
NBG, NKG, 2-pole	16
NB, NK, 4-pole	17
NBG, NKG, 4-pole	17
NB, NK, 6-pole	18
NBG, NKG, 6-pole	18
4. NK/NKG bare shaft pumps	19
NK/NKG, centre-line outlet	19
Overview	19
5. Performance curves and technical data	20
NBG, NKG 2-pole	20
NB, NK 4-pole	22
NBG, NKG 4-pole	26
NB, NK 6-pole	30
NBG, NKG 6-pole	34
6. Base frames	39
Dimensional sketches for	
NK, NKE, NKG, NKGE base frames	39
NB base frames	40
7. Further product documentation	41
WebCAPS	41
WinCAPS	42

1. Introduction

Introduction

This data booklet describes an extension of the NB, NBG, NK, NKG product range and thus of the complete end-suction performance range. The new pumps are designed according to EN 733 or ISO 2858. Information not specified in this data booklet can be found in the NB, NBE, NK, NKE data booklet, product no 96695638, and the NBG, NBGE, NGK, NKGE data booklet, product no 96695640.

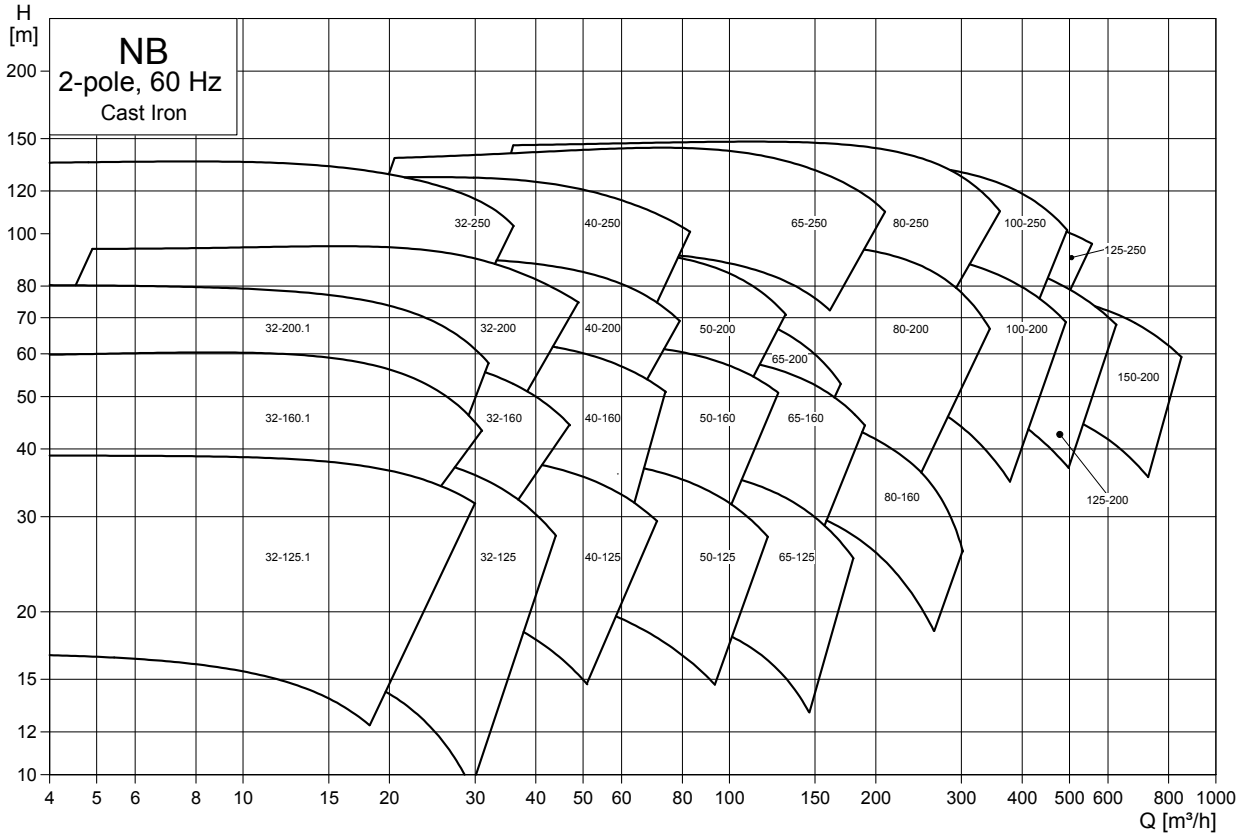
The NB/NK 125-400 and the NBG/NKG 150-125-400 performance curves in this data booklet are updated with regard to efficiency and NPSH.

The NB/NK 150-315.1 and the NBG/NKG 200-150-315.1 are new pump models featuring improved duty points.

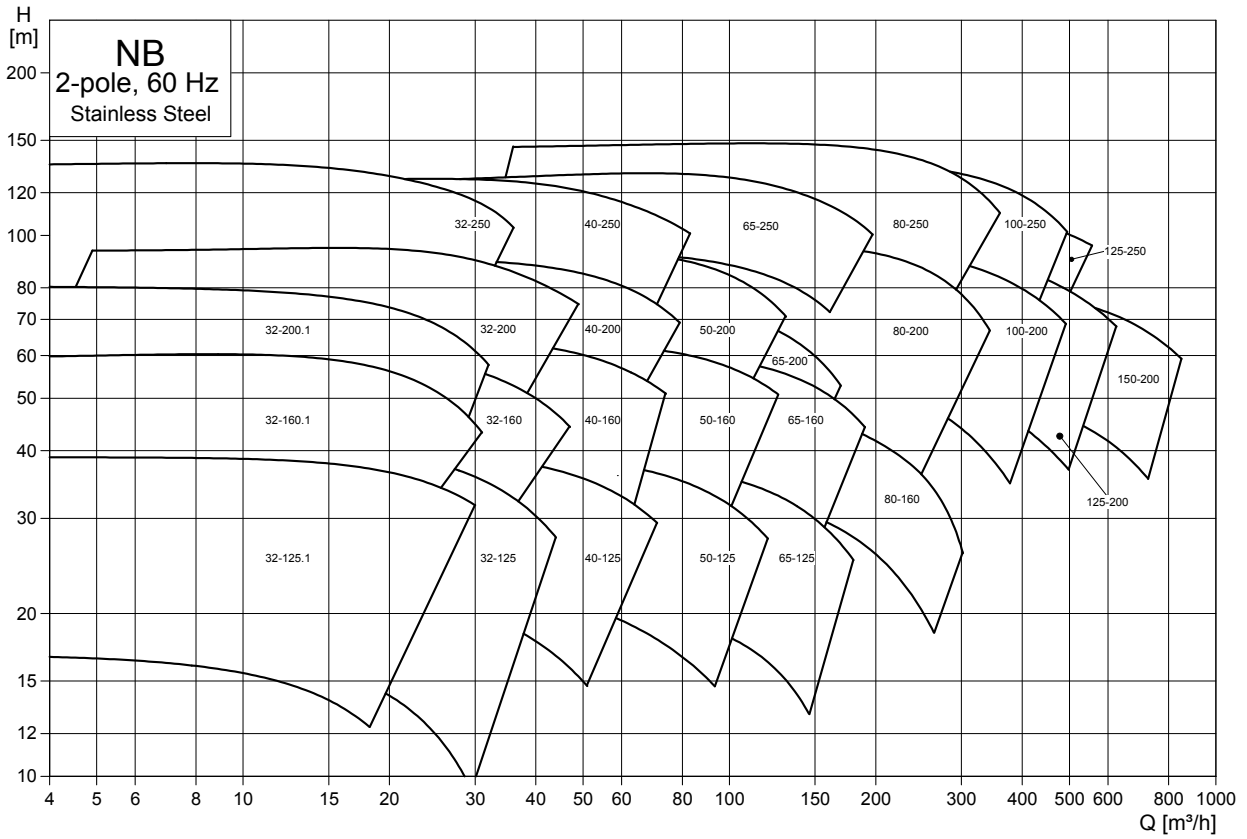
The pumps can be seen as a supplement to the existing NB/NK 150-315 and NBG/NKG 200-150-315 as all installation dimensions are same.

2. Performance range

NB, 2-pole

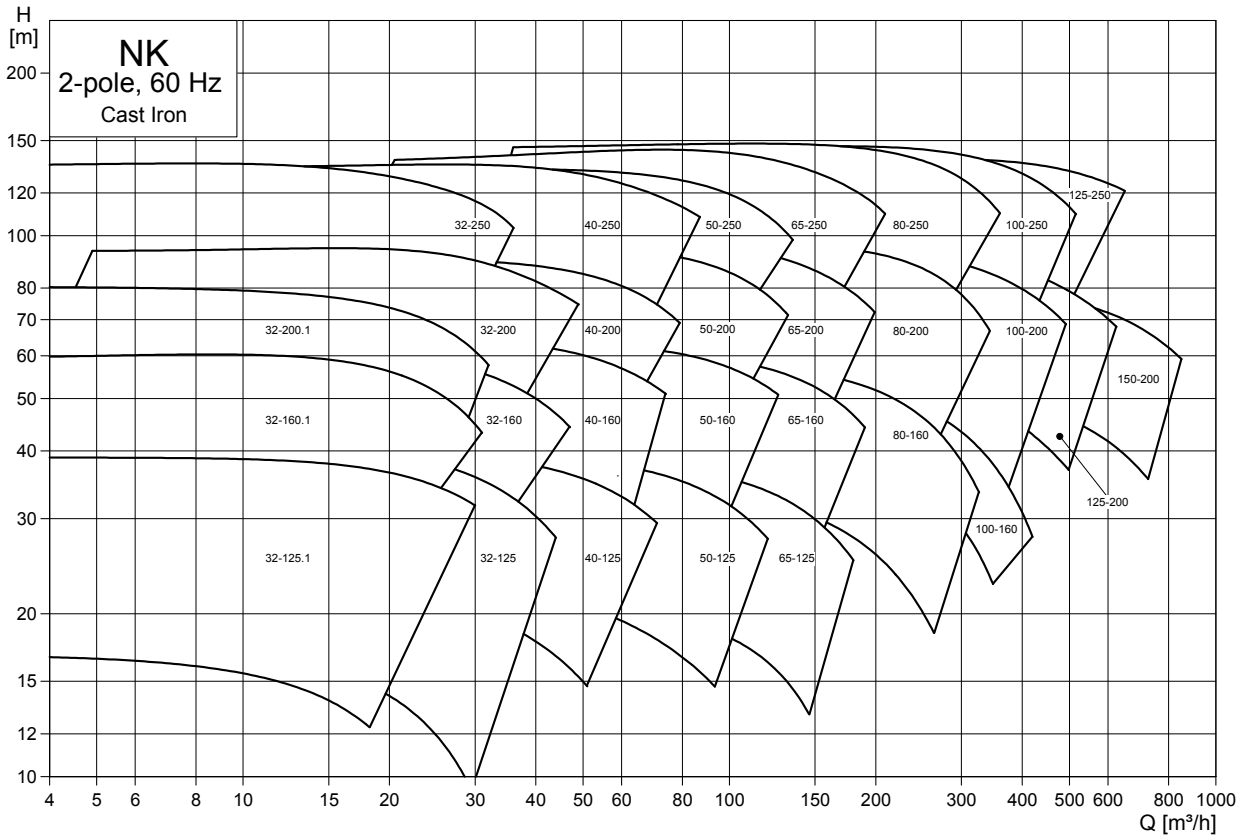


TM05 4302 2212

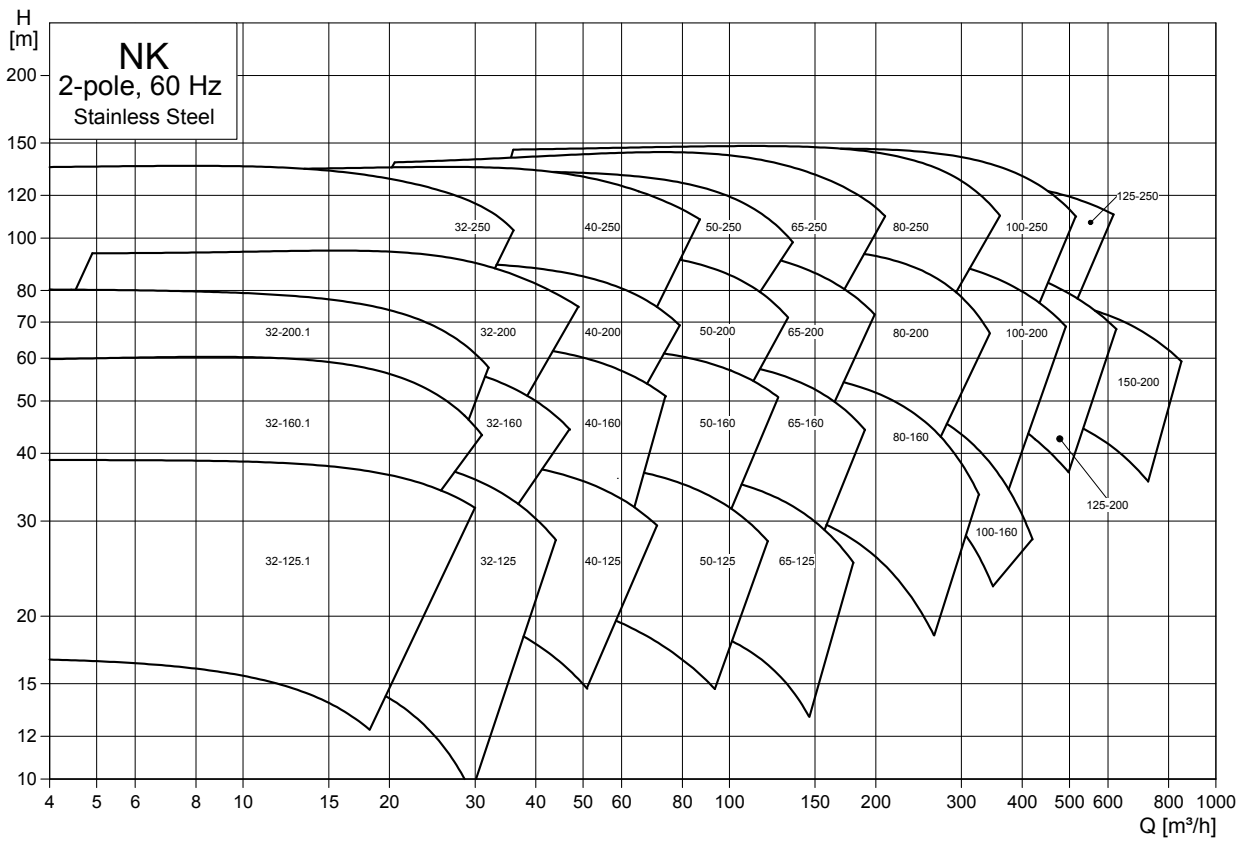


TM05 4303 2212

NK, 2-pole

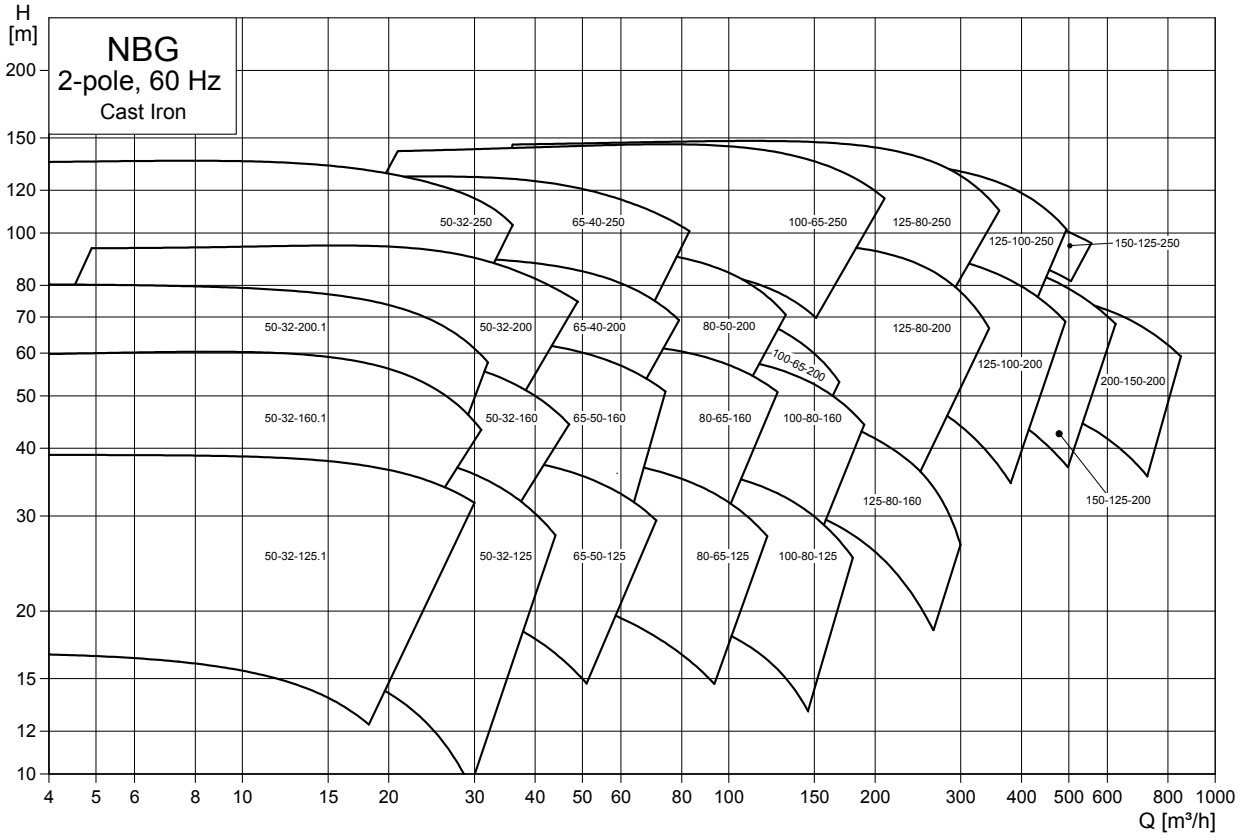


TM05 4304 2212

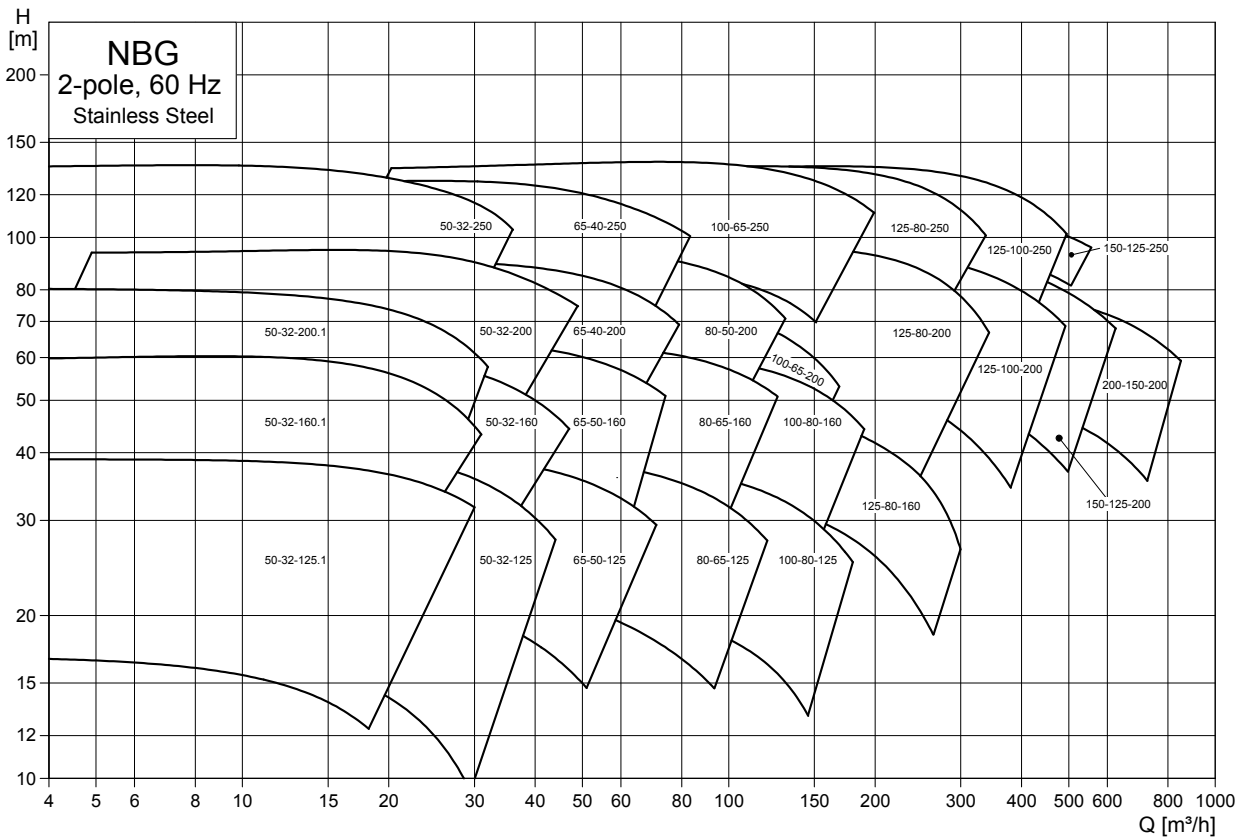


TM05 4305 2212

NBG, 2-pole

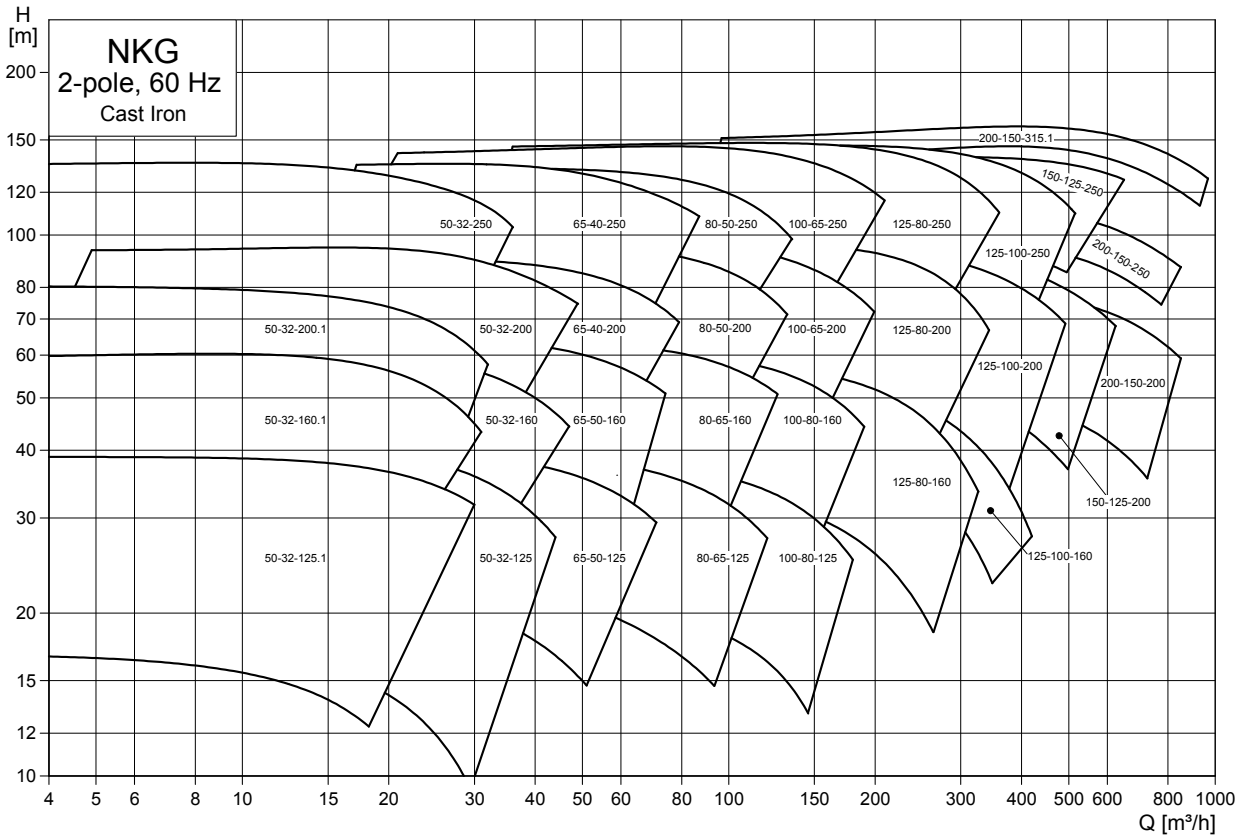


TM05 4306 2212

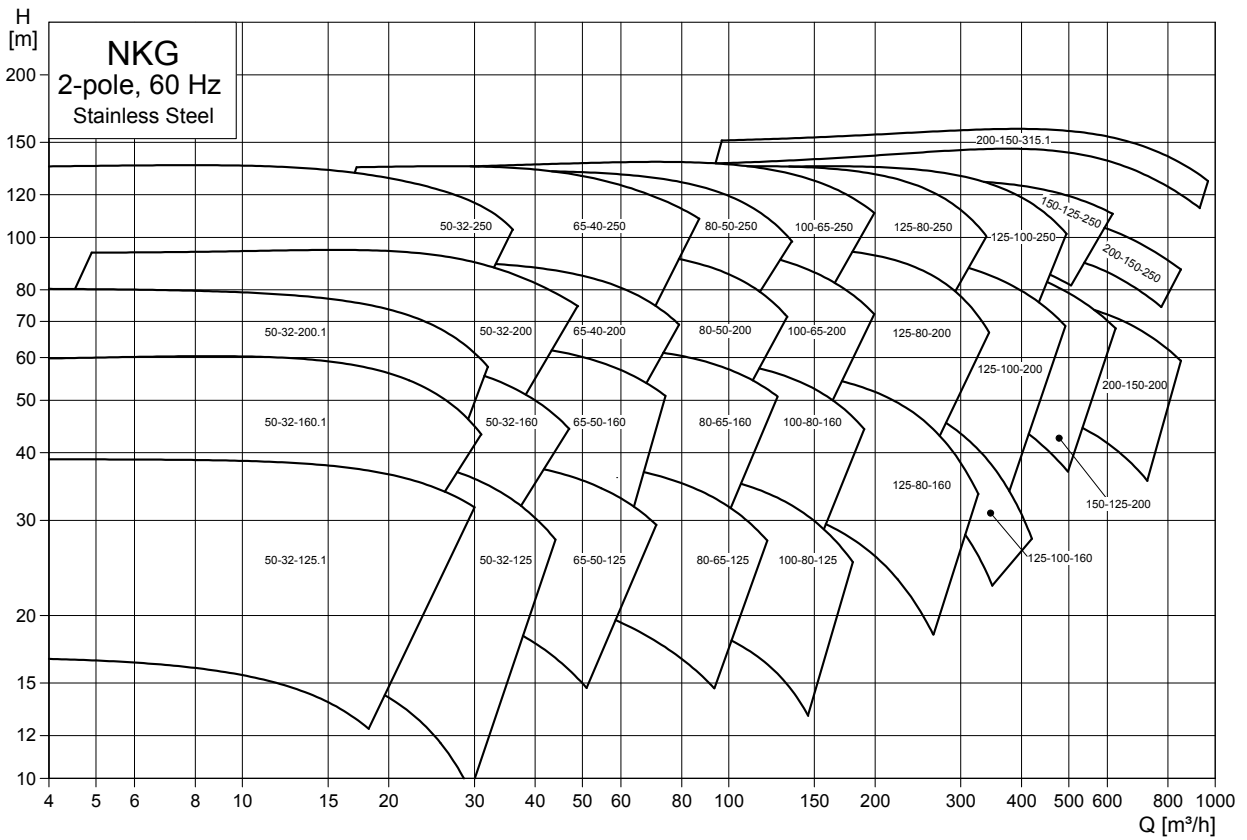


TM05 4307 2212

NKG, 2-pole

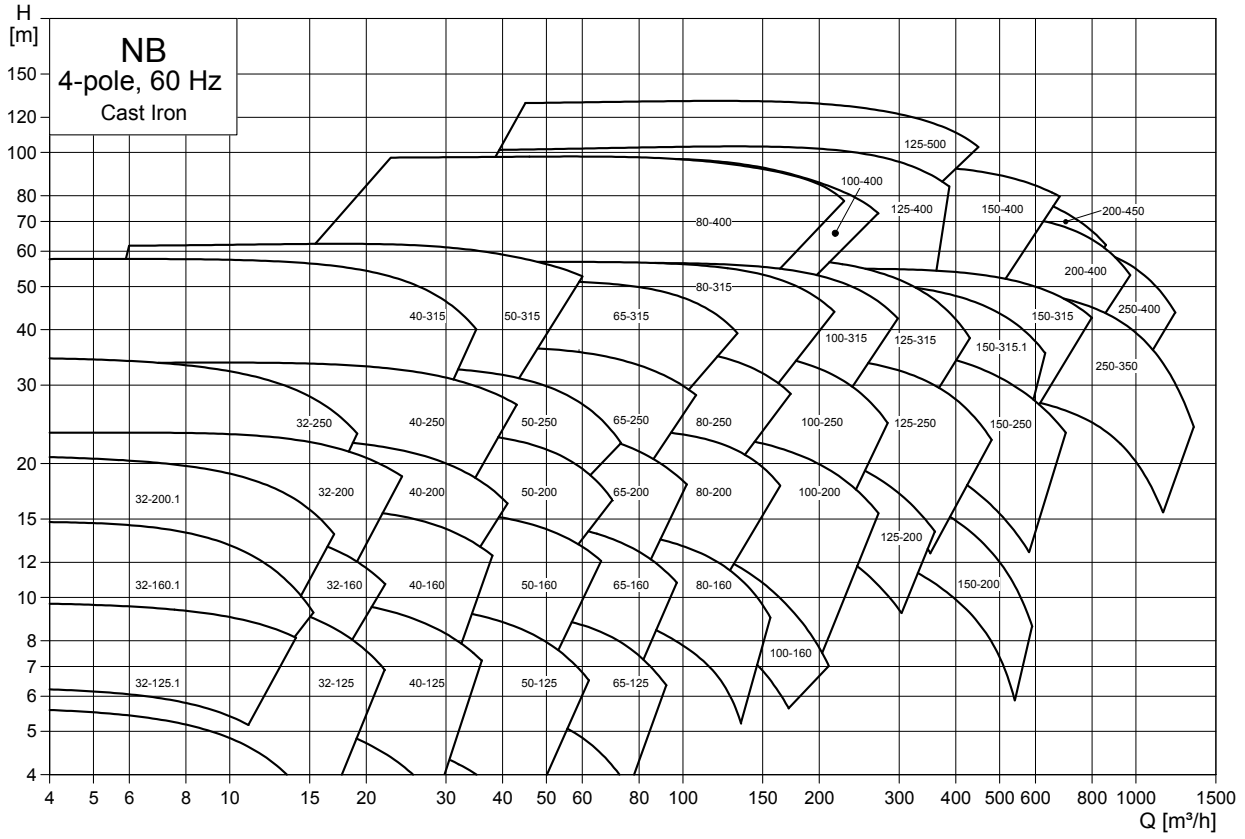


TM05 4308 2212

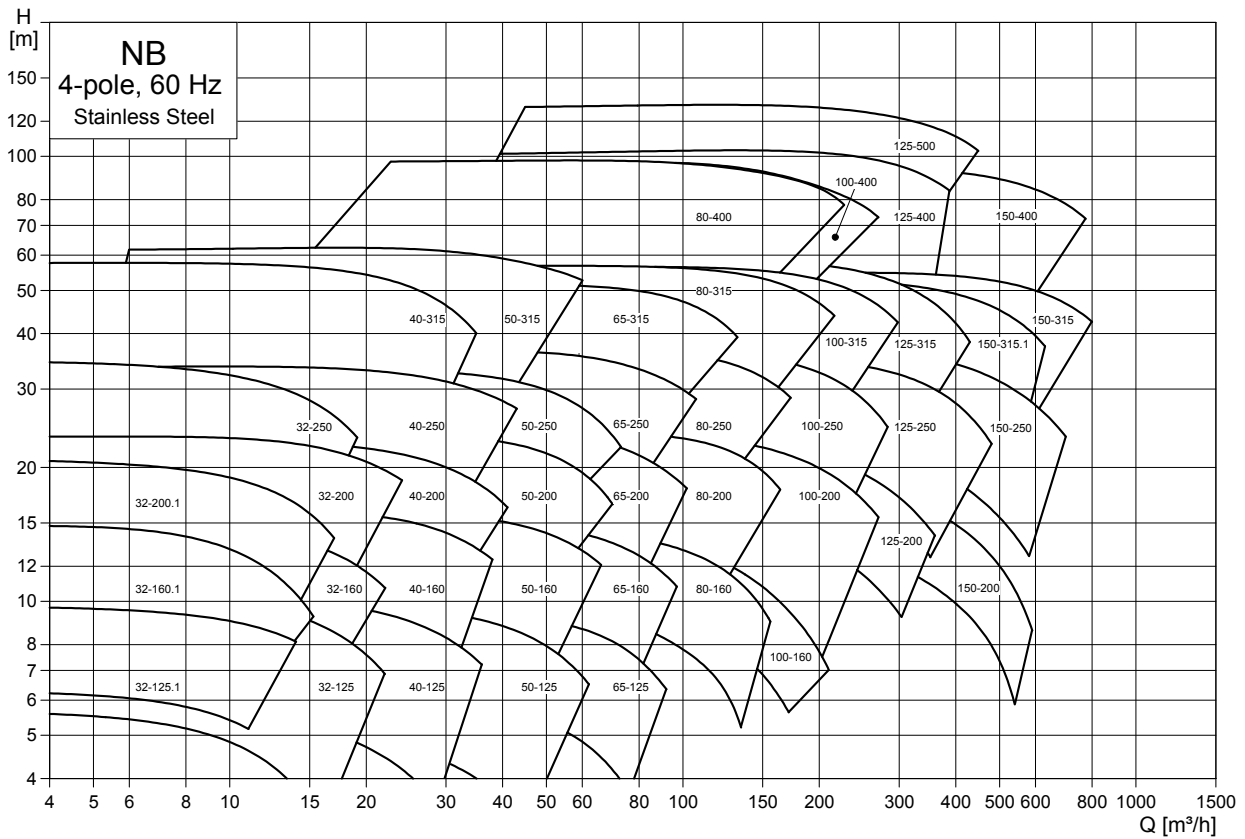


TM05 4309 2212

NB, 4-pole

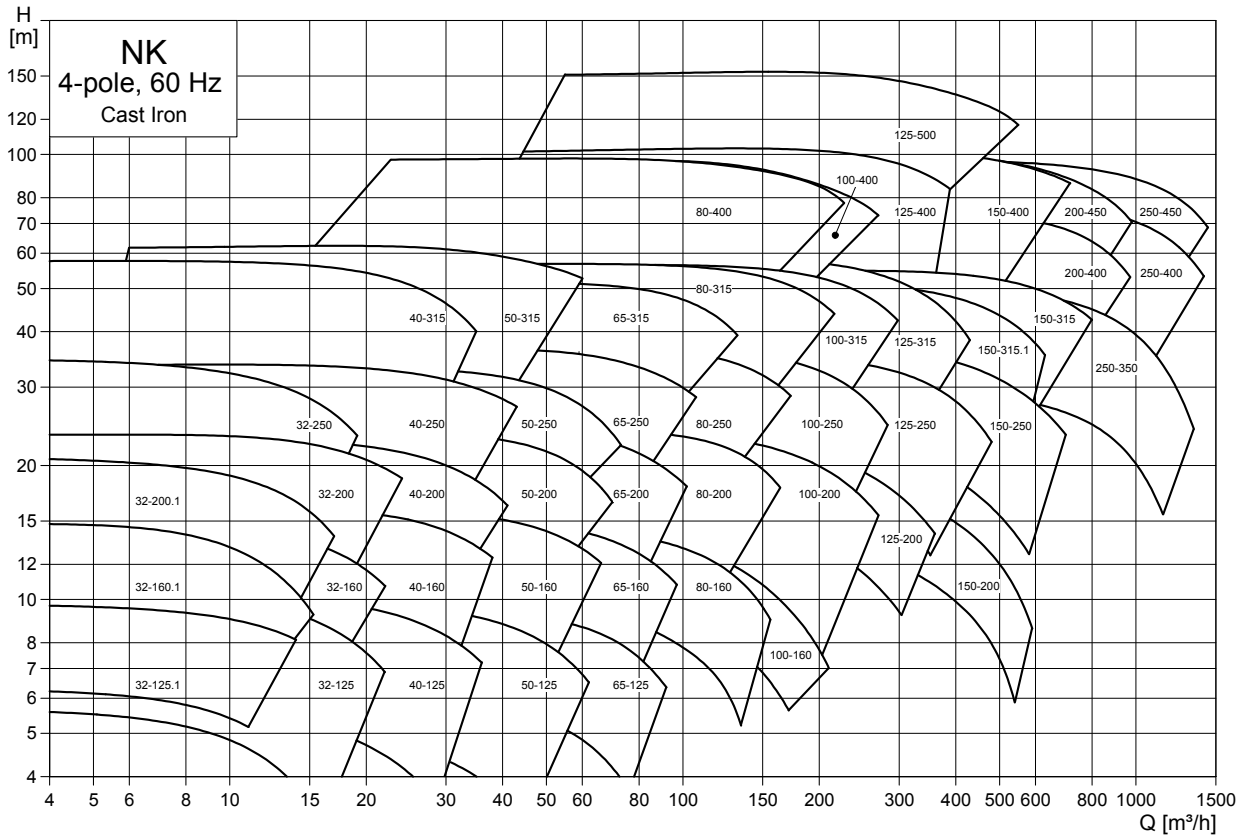


TM05 4310 2212

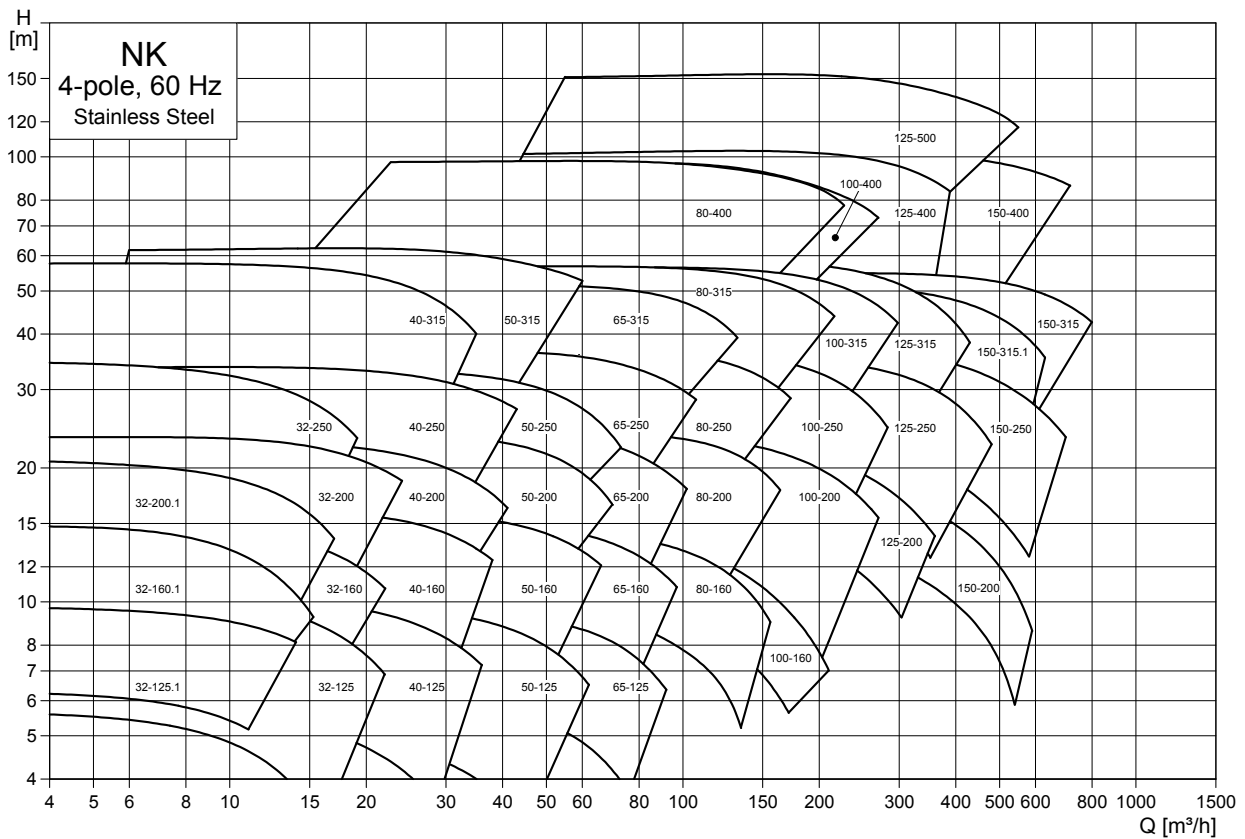


TM05 4311 2212

NK, 4-pole

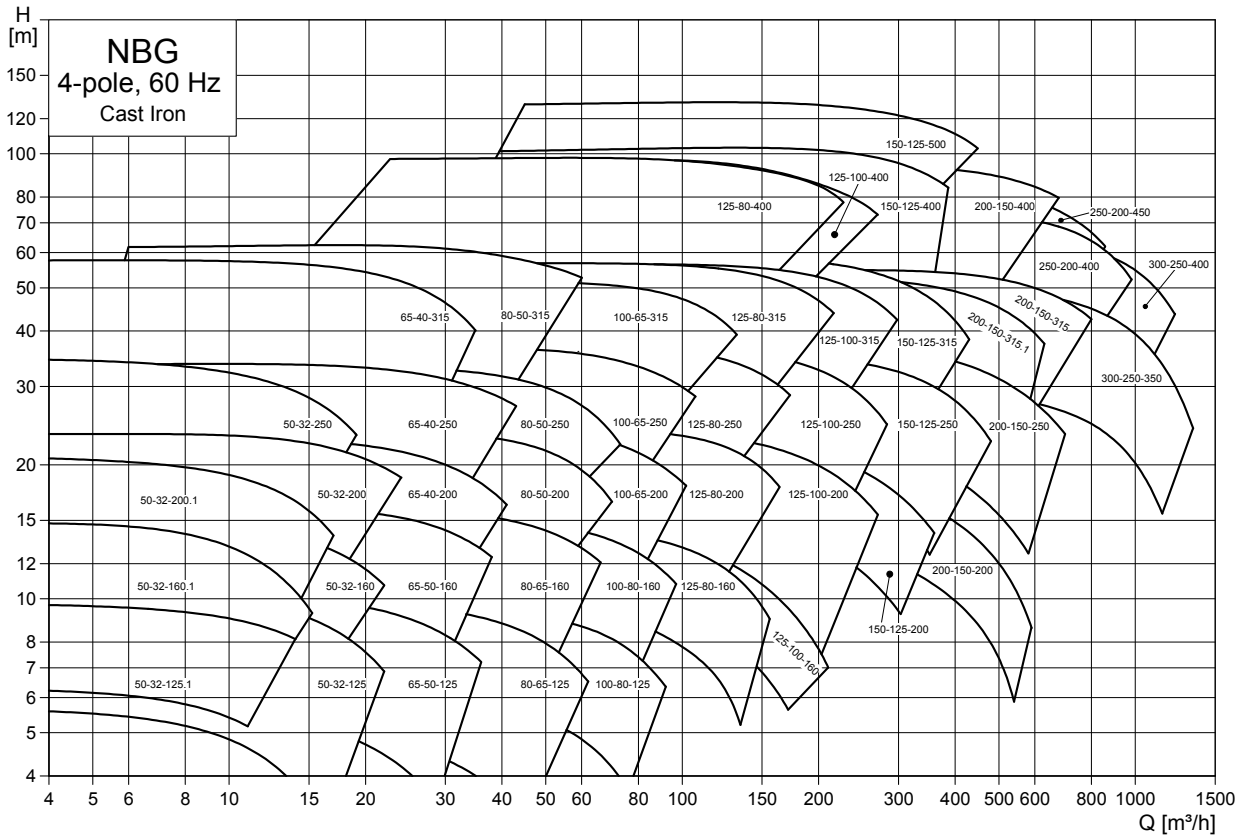


TM05 4312 2212

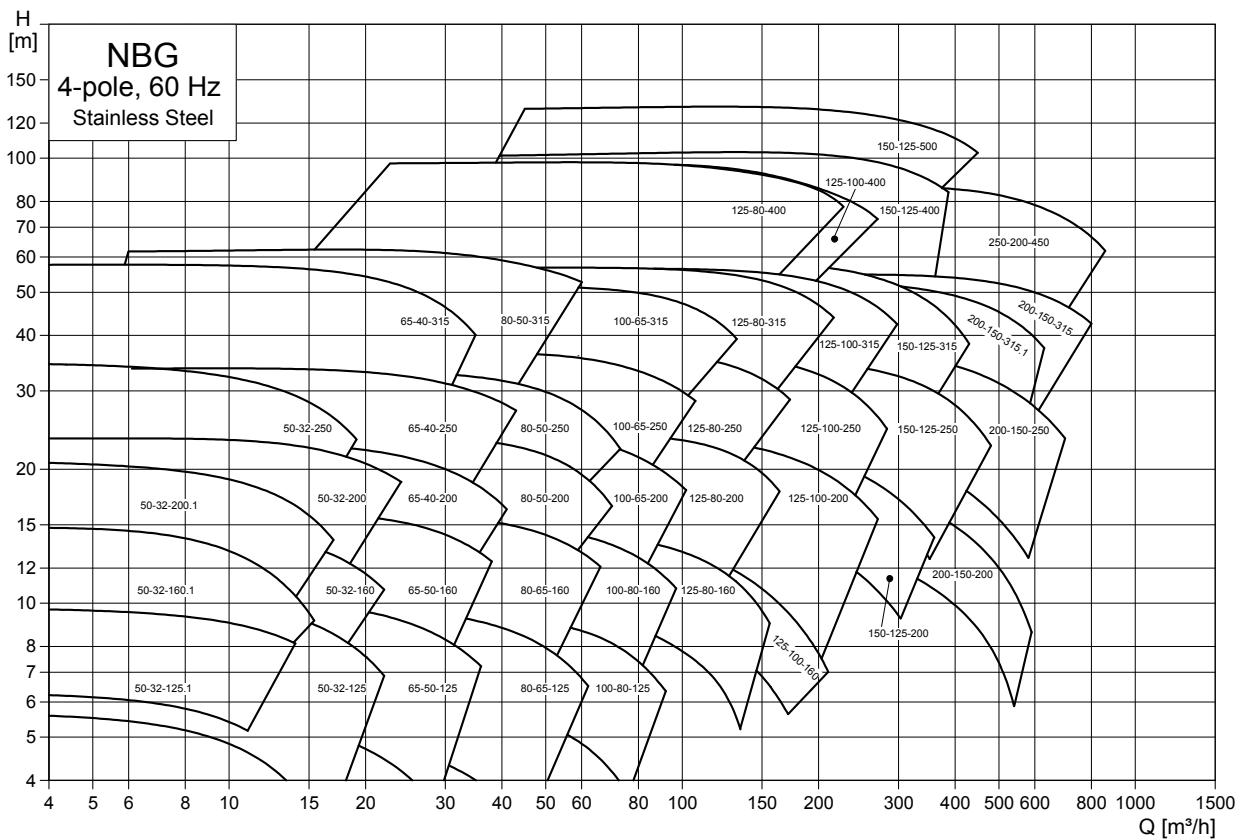


TM05 4313 2212

NBG, 4-pole

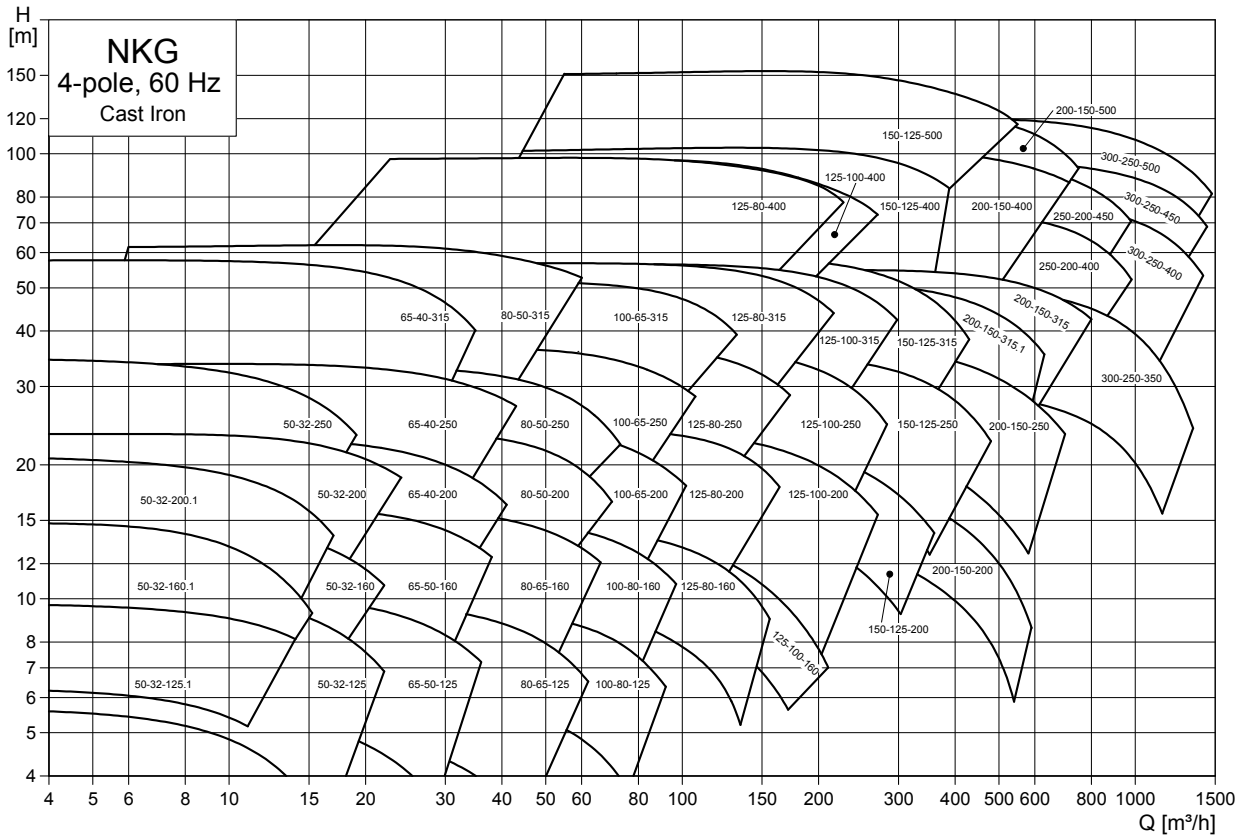


TM05 4314 2212

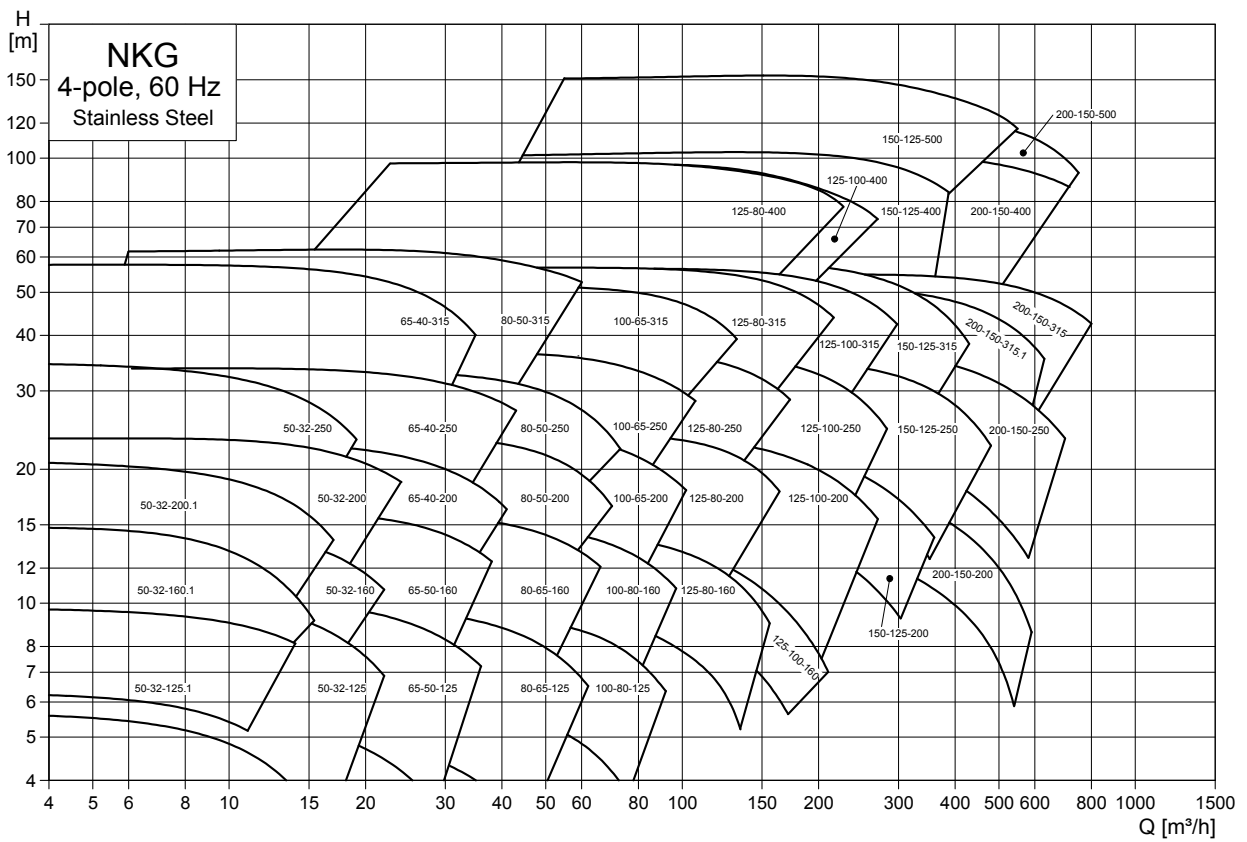


TM05 4315 2212

NKG, 4-pole

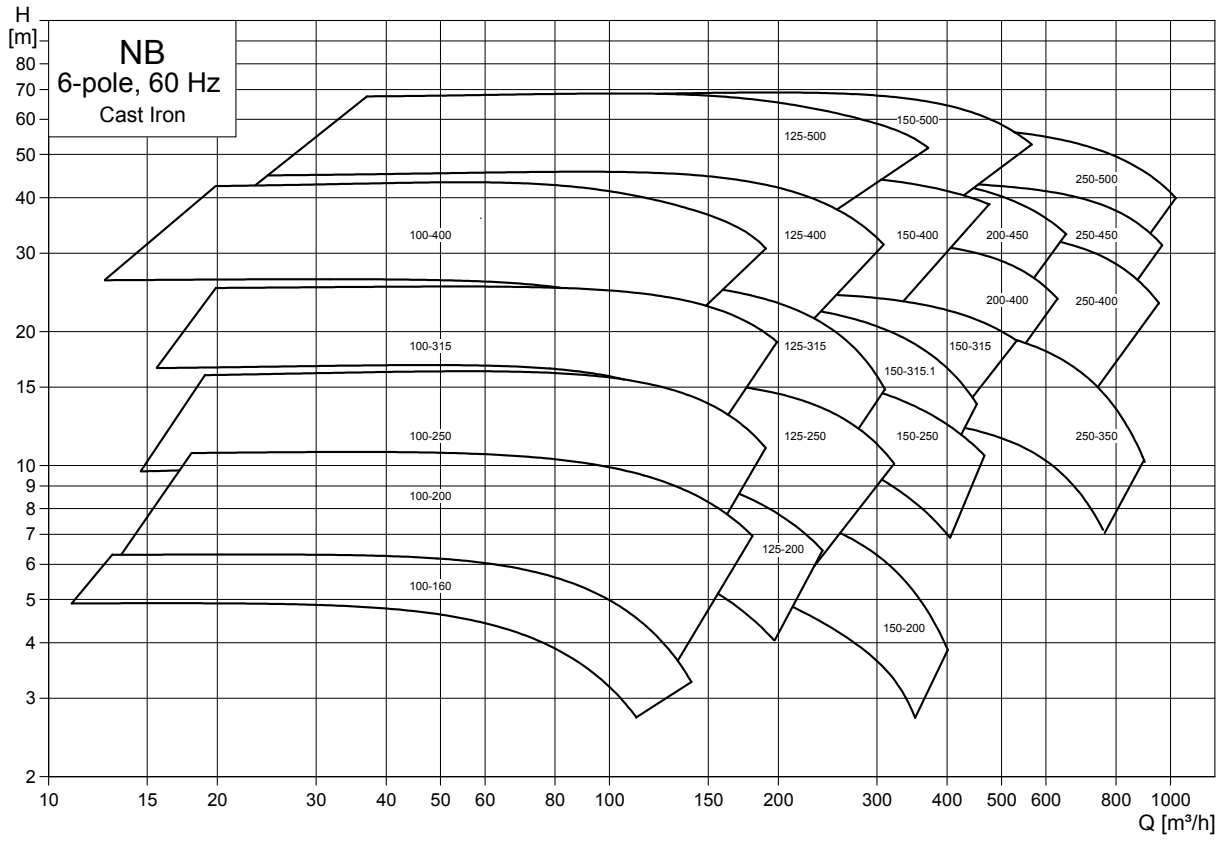


TM05 4316 2212

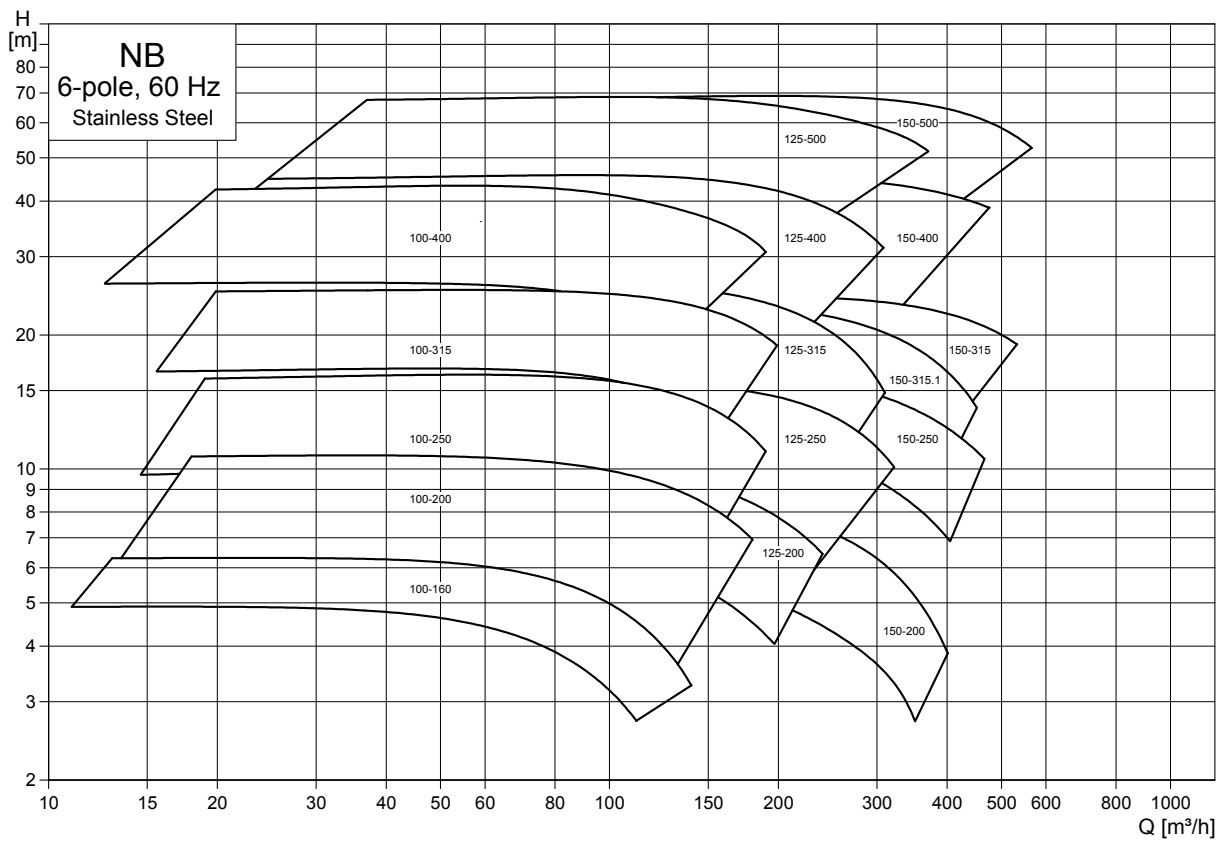


TM05 4317 2212

NB, 6-pole

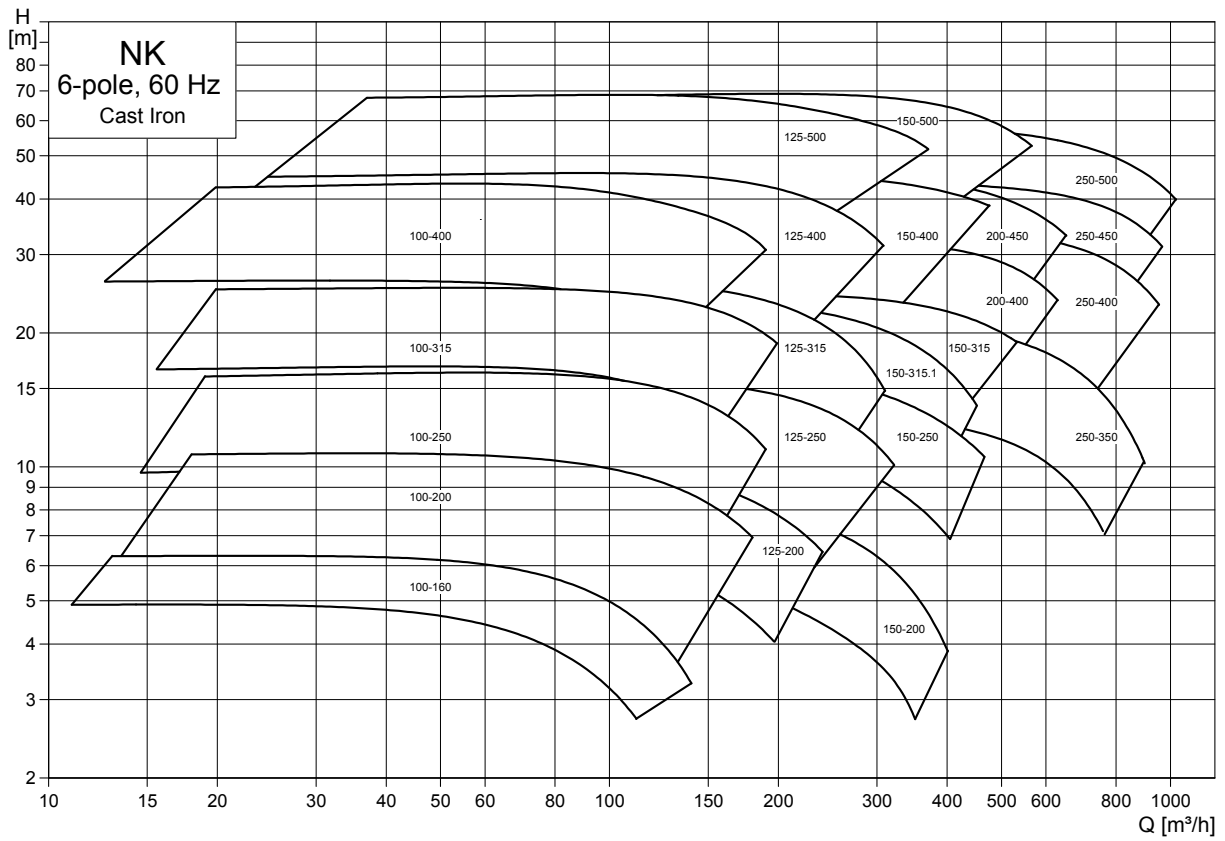


TM05 4318 2212

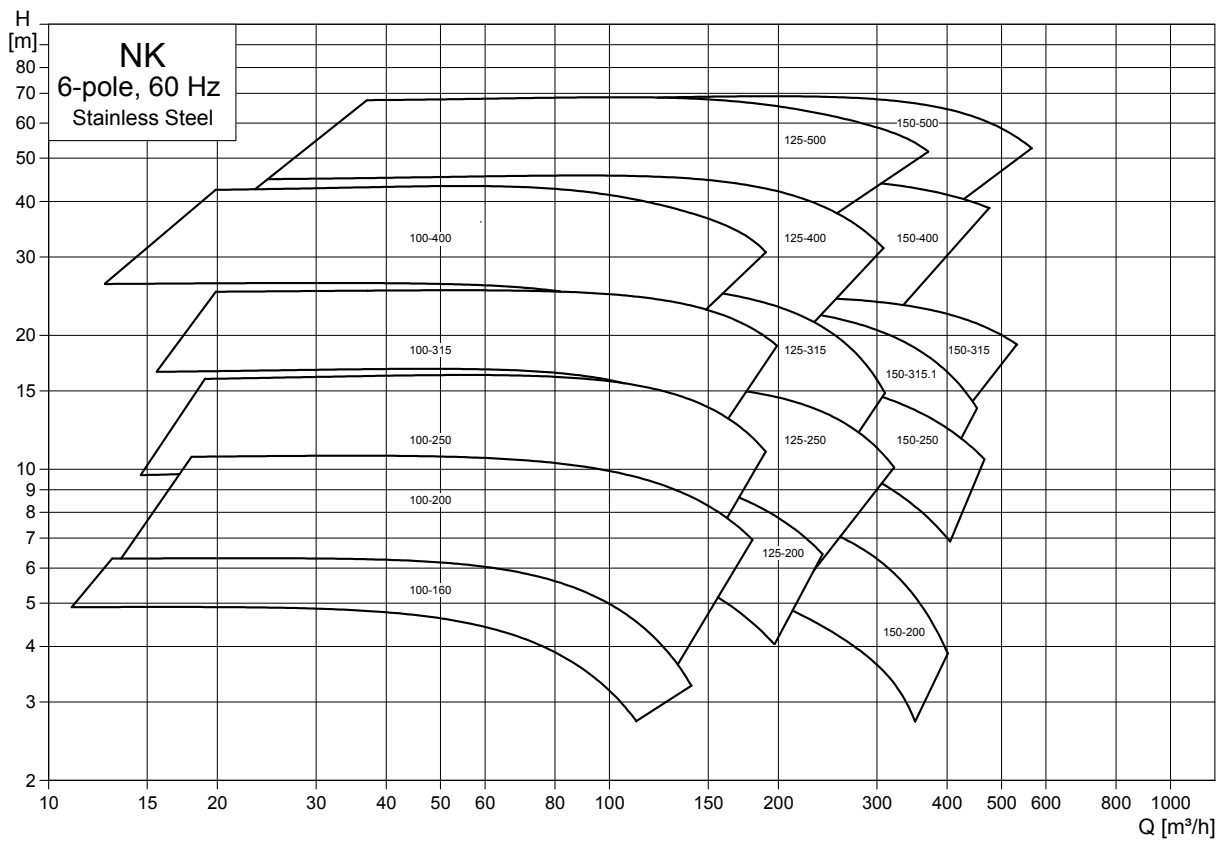


TM05 4319 2212

NK, 6-pole

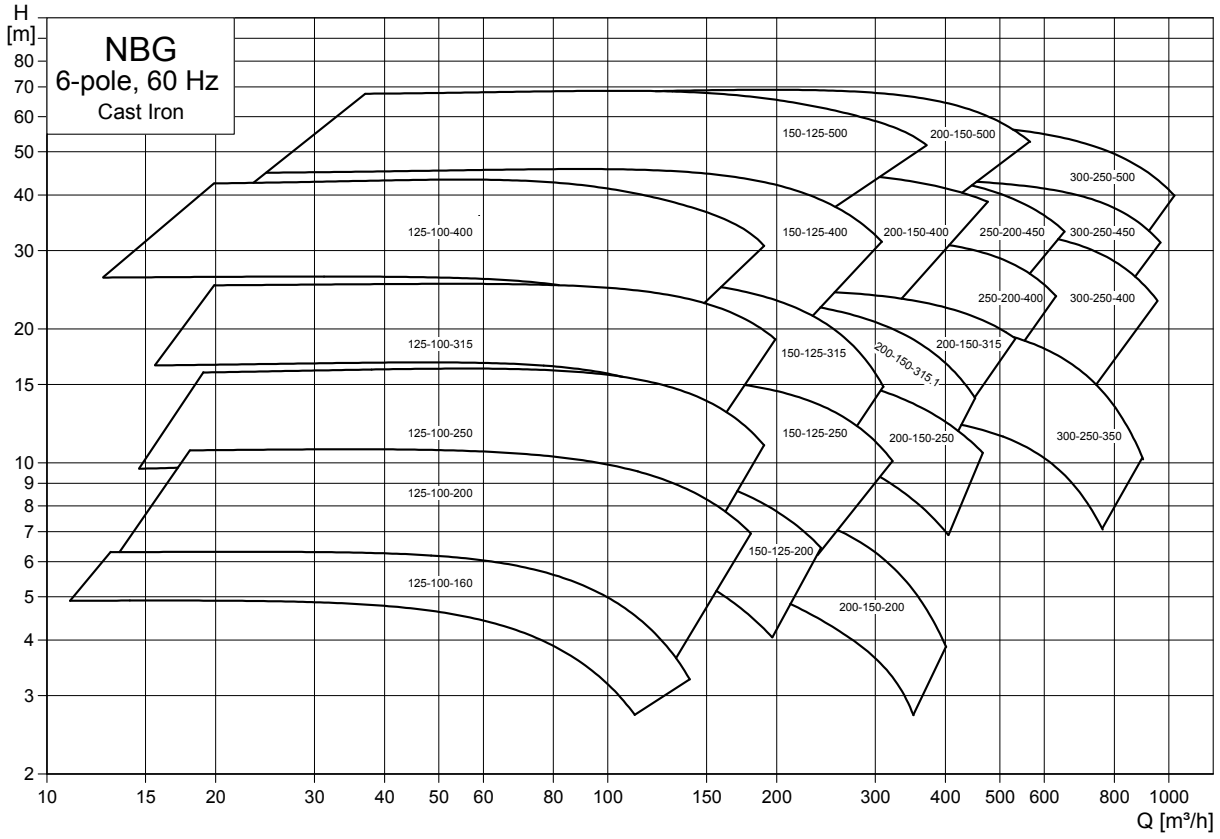


TM05 4320 2212

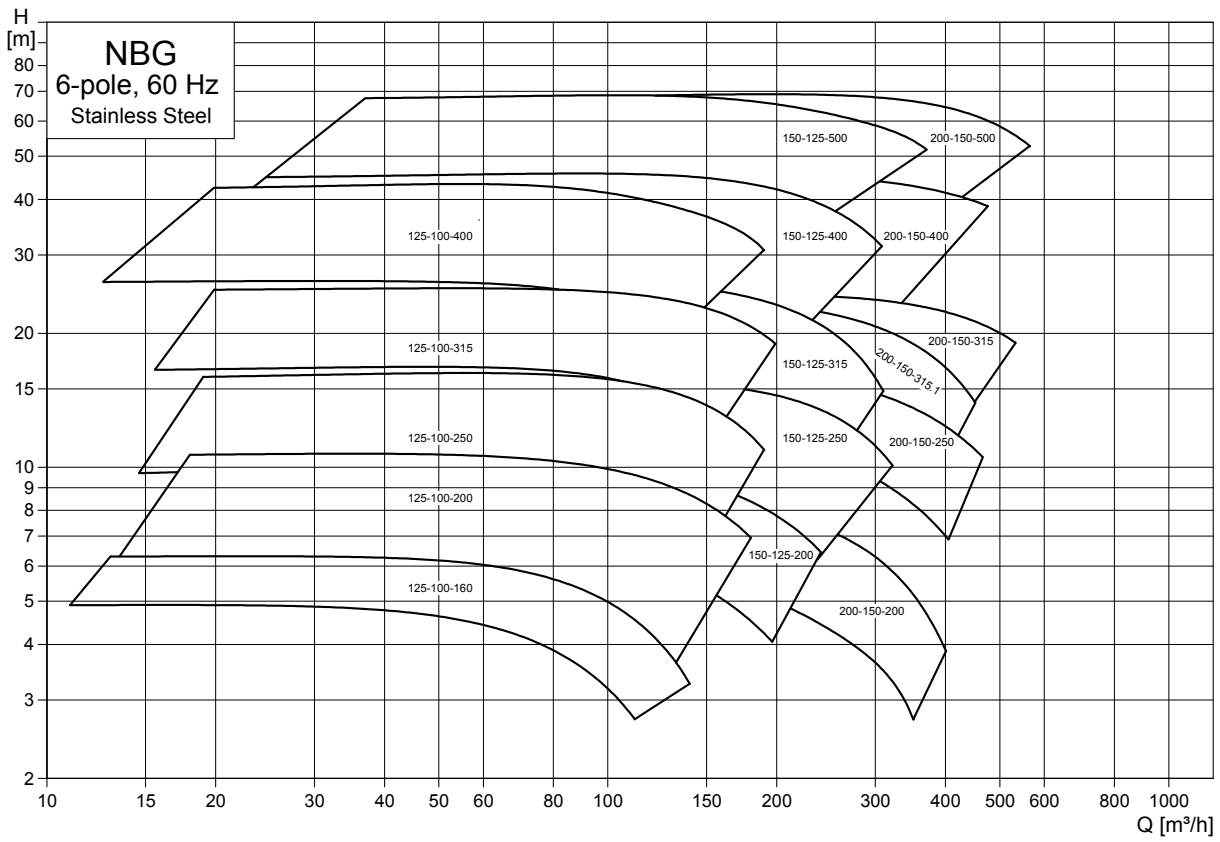


TM05 4321 2212

NBG, 6-pole

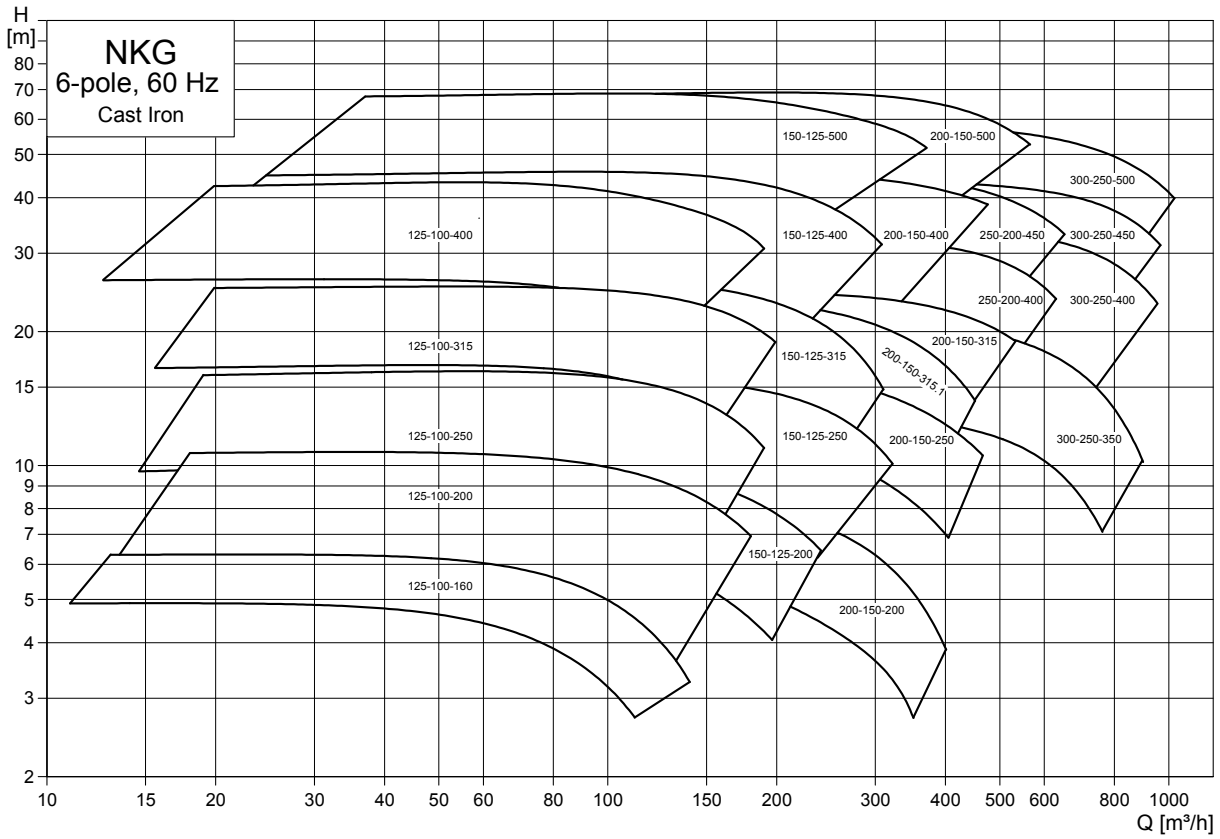


TM05 4322 2212

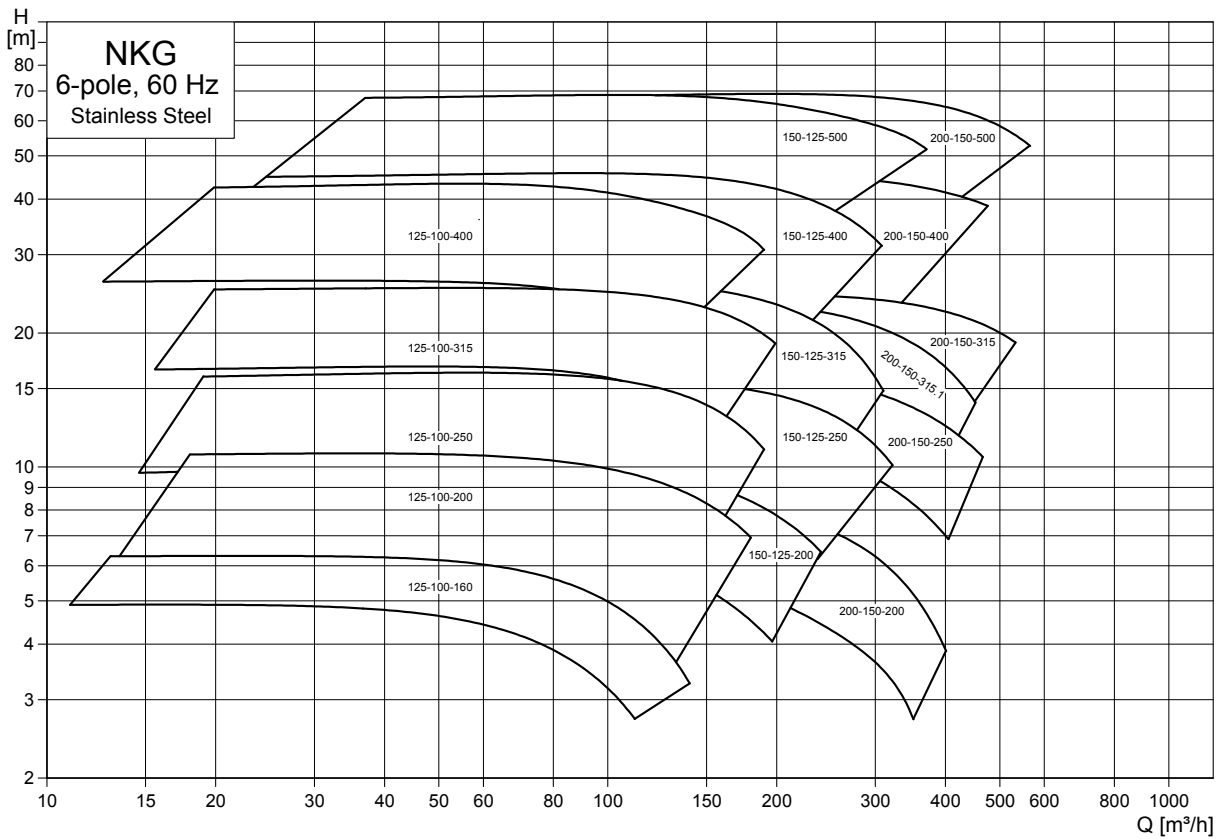


TM05 4323 2212

NKG, 6-pole



TM05 4324 2212



TM05 4325 2212

3. Product range

The tables on the following pages show the product ranges of NB, NK 125-400, NBG, NKG 150-125-400, NB, NK 150-315.1 and NBG, NKG 200-150-315.1 pumps.

NBG, NKG, 2-pole

60 Hz, 2-pole		NBG pumps		NKG pumps		Cast iron pump		Stainless steel pump		d5 [mm]	Shaft seal diameter [mm]				
Pump type	P2 [kW]	E-solution	Oversize shaft	NBG design	Material code	Options	Material code	Options	Flange rating ¹⁾			Flange standard	Flange rating ¹⁾	Flange standard	
					A, B, C, D, S E, F, G, H K, L, M N, R, P	Double seal arrangement Cartridge seal - single/double Pump housing with feet Pump with base frame	A, B, C, D, S E, F, G, H K, L, M N, R, P	Stuffing box, cast iron only Double seal arrangement Cartridge seal - single/double Standard bearing bracket Heavy duty bearing bracket	PN 10 PN 16 DIN (code F) ANSI (code G) JIS (code J)			PN 16 PN 25 PN 40 DIN (code F) ANSI (code G) JIS (code J)			
200-150-315.1	353	-	-	-	-	-	-	-	-	F	-	L	L	48	55
	398	-	-	-	-	-	-	-	-	F	-	L	L	48	55

1) F = fixed flange. L = loose flange.

NB, NK, 4-pole

60 Hz, 4-pole				NB pumps			NK pumps			Cast iron pump		Stainless steel pump		d5 [mm]	Shaft seal diameter [mm]			
Pump type	P2 [kW]	E-solution	Oversize shaft	Material code	Options	Material code	Options	Flange rating ¹⁾	Flange standard	Flange rating ¹⁾	Flange standard							
												Options	Options			Options	Options	
125-400	55	CUE	-	C	A, B, C, D, S E, F, G, H K, L, M N, R, P	Double seal arrangement Cartridge seal - single/double Pump housing with feet Pump with base frame	A, B, C, D, S E, F, G, H K, L, M N, R, P	Stuffing box (only cast iron versions) Double seal arrangement Cartridge seal - single/double Standard bearing bracket Heavy-duty bearing bracket	PN 10 PN 16 DIN (code F) ANSI (code G) JIS (code J)	PN 10 PN 16 DIN (code F) ANSI (code G) JIS (code J)	L	L	•	•	•	•	42 48	
	75	CUE	-	C	•	•	•	•	•	•	•	•	•	•	•	•	•	42 48
	90	CUE	-	C	•	•	•	•	•	•	•	•	•	•	•	•	•	42 48
	110	CUE	-	C	•	•	•	•	•	•	•	•	•	•	•	•	•	42 48
	132	CUE	-	C	•	•	•	•	•	•	•	•	•	•	•	•	•	42 48
150-315.1	30	CUE	-	C	•	•	•	•	•	•	•	•	•	•	•	•	•	42 48
	37	CUE	-	C	•	•	•	•	•	•	•	•	•	•	•	•	•	42 48
	45	CUE	-	C	•	•	•	•	•	•	•	•	•	•	•	•	•	42 48
	55	CUE	-	C	•	•	•	•	•	•	•	•	•	•	•	•	•	42 48
	75	CUE	-	C	•	•	•	•	•	•	•	•	•	•	•	•	•	42 48

1) F = fixed flange. L = loose flange.

NBG, NKG, 4-pole

60 Hz, 4-pole				NBG pumps			NKG pumps			Cast iron pump		Stainless steel pump		d5 [mm]	Shaft seal diameter [mm]			
Pump type	P2 [kW]	E-solution	Oversize shaft	Material code	Options	Material code	Options	Flange rating ¹⁾	Flange standard	Flange rating ¹⁾	Flange standard							
												Options	Options			Options	Options	
150-125-400	55	CUE	-	C	A, B, C, D, S E, F, G, H K, L, M N, R, P	Double seal arrangement Cartridge seal - single/double Pump housing with feet Pump with base frame	A, B, C, D, S E, F, G, H K, L, M N, R, P	Stuffing box, (cast iron only) Double seal arrangement Cartridge seal - single/double Standard bearing bracket Heavy duty bearing bracket	PN 10 PN 16 DIN (code F) ANSI (code G) JIS (code J)	PN 10 PN 16 DIN (code F) ANSI (code G) JIS (code J)	L	L	•	•	•	•	42 48	
	75	CUE	-	C	•	•	•	•	•	•	•	•	•	•	•	•	•	42 48
	90	CUE	-	C	•	•	•	•	•	•	•	•	•	•	•	•	•	42 48
	110	CUE	-	C	•	•	•	•	•	•	•	•	•	•	•	•	•	42 48
	110	CUE	-	C	•	•	•	•	•	•	•	•	•	•	•	•	•	42 48
	132	CUE	-	C	•	•	•	•	•	•	•	•	•	•	•	•	•	42 48
200-150-315.1	30	CUE	-	C	•	•	•	•	•	•	•	•	•	•	•	•	•	48 55
	37	CUE	-	C	•	•	•	•	•	•	•	•	•	•	•	•	•	48 55
	45	CUE	-	C	•	•	•	•	•	•	•	•	•	•	•	•	•	48 55
	55	CUE	-	C	•	•	•	•	•	•	•	•	•	•	•	•	•	48 55
	75	CUE	-	C	•	•	•	•	•	•	•	•	•	•	•	•	•	48 55

1) F = fixed flange. L = loose flange.

NB, NK, 6-pole

60 Hz, 6-pole				NB pumps				NK pumps				Cast iron pump		Stainless steel pump		d5 [mm]	Shaft seal diameter [mm]
Pump type	P2 [kW]	E-solution	Oversize shaft	NB design	Material code	Options	Material code	Options	Flange rating ¹⁾	Flange standard	Flange rating ¹⁾	Flange standard					
					A, B, C, D, S E, F, G, H K, L, M N, R, P	Double seal arrangement Cartridge seal - single/double Pump housing with feet Pump with base frame							A, B, C, D, S E, F, G, H K, L, M N, R, P	Stuffing box (only cast iron versions) Double seal arrangement Cartridge seal - single/double Standard bearing bracket Heavy-duty bearing bracket	PN 10 PN 16 DIN (code F) ANSI (code G) JIS (code J)		
125-400	18.5 CUE	-	C	•	•	•	•	•	F	F	L	L	•	•	42	48	
	22 CUE	-	C	•	•	•	•	•	F	F	L	L	•	•	42	48	
	30 CUE	-	C	•	•	•	•	•	F	F	L	L	•	•	42	48	
	37 CUE	-	C	•	•	•	•	•	F	F	L	L	•	•	42	48	
	45 CUE	-	C	•	•	•	•	•	F	F	L	L	•	•	42	48	
150-315.1	7.5 CUE	-	C	•	•	•	•	•	F	•	L	L	•	•	42	48	
	11 CUE	-	C	•	•	•	•	•	F	•	L	L	•	•	42	48	
	15 CUE	-	C	•	•	•	•	•	F	•	L	L	•	•	42	48	
	18.5 CUE	-	C	•	•	•	•	•	F	•	L	L	•	•	42	48	
	22 CUE	-	C	•	•	•	•	•	F	•	L	L	•	•	42	48	

1) F = fixed flange. L = loose flange.

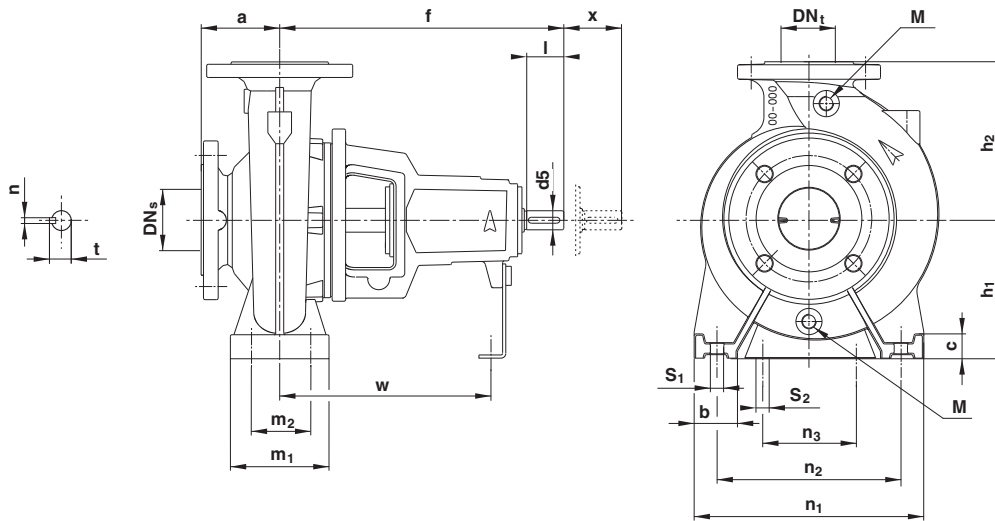
NBG, NKG, 6-pole

60 Hz, 6-pole				NBG pumps				NKG pumps				Cast iron pump		Stainless steel pump		d5 [mm]	Shaft seal diameter [mm]
Pump type	P2 [kW]	E-solution	Oversize shaft	NBG design	Material code	Options	Material code	Options	Flange rating ¹⁾	Flange standard	Flange rating ¹⁾	Flange standard					
					A, B, C, D, S E, F, G, H K, L, M N, R, P	Double seal arrangement Cartridge seal - single/double Pump housing with feet Pump with base frame							A, B, C, D, S E, F, G, H K, L, M N, R, P	Stuffing box, cast iron only Double seal arrangement Cartridge seal - single/double Standard bearing bracket Heavy duty bearing bracket	PN 10 PN 16 DIN (code F) ANSI (code G) JIS (code J)		
150-125-400	18.5 CUE	-	C	•	•	•	•	•	F	F	L	L	•	•	42	48	
	22 CUE	-	C	•	•	•	•	•	F	F	L	L	•	•	42	48	
	30 CUE	-	C	•	•	•	•	•	F	F	L	L	•	•	42	48	
	37 CUE	-	C	•	•	•	•	•	F	F	L	L	•	•	42	48	
	45 CUE	-	C	•	•	•	•	•	F	F	L	L	•	•	42	48	
200-150-315.1	7.5 CUE	-	C	•	•	•	•	•	-	F	L	L	•	•	42	48	
	11 CUE	-	C	•	•	•	•	•	-	F	L	L	•	•	42	48	
	15 CUE	-	C	•	•	•	•	•	-	F	L	L	•	•	42	48	
	18.5 CUE	-	C	•	•	•	•	•	-	F	L	L	•	•	42	48	
	22 CUE	-	C	•	•	•	•	•	-	F	L	L	•	•	42	48	

1) F = fixed flange. L = loose flange.

4. NK/NKG bare shaft pumps

NK/NKG, centre-line outlet



TM01 9274 4606

M Drain plug/priming plug

Type	Pump [mm]							Supporting feet [mm]								Shaft [mm]					Weight [kg]			
	DN _s	DN _t	a	f	h ₁	h ₂	M	b	m ₁	m ₂	n ₁	n ₂	n ₃	w	S ₁	S ₂	c	d5	l	x	t	n	CI ¹⁾	SS ²⁾
NK 125-400	150	125	140	530	315	400	1/2"	100	200	150	500	400	110	370	M20	M12	38	42	110	140	45	12	250	243
NK 150-315.1	200	150	160	530	280	400	1/2"	100	200	150	550	450	110	370	M20	M12	33	42	110	140	45	12	252	255
NKG 150-125-400	150	125	140	530	315	400	1/2"	100	200	150	500	400	110	370	M20	M12	38	42	110	140	45	12	254	247
NKG 200-150-315.1	200	150	160	670	315	400	1/2"	100	200	150	550	450	140	500	M20	M16	22	48	110	180	51.5	14	326	330

1) CI: Cast iron version

2) SS: Stainless steel version

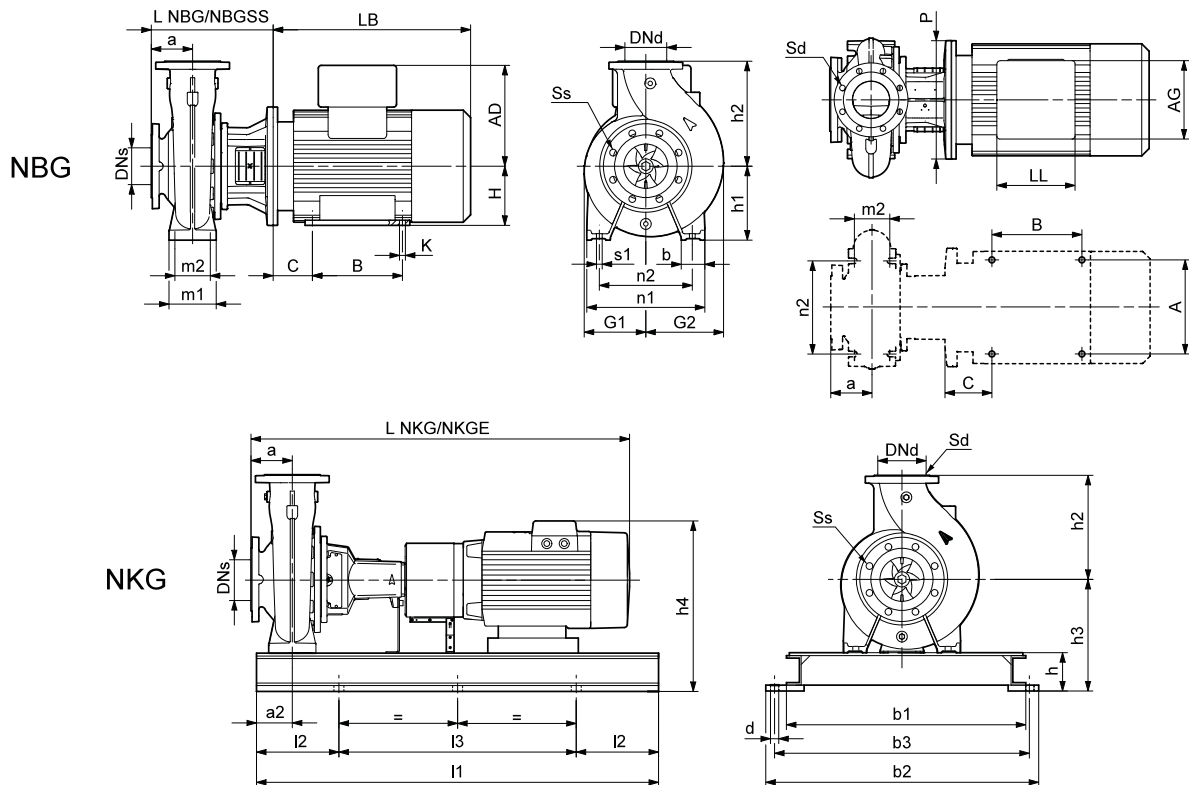
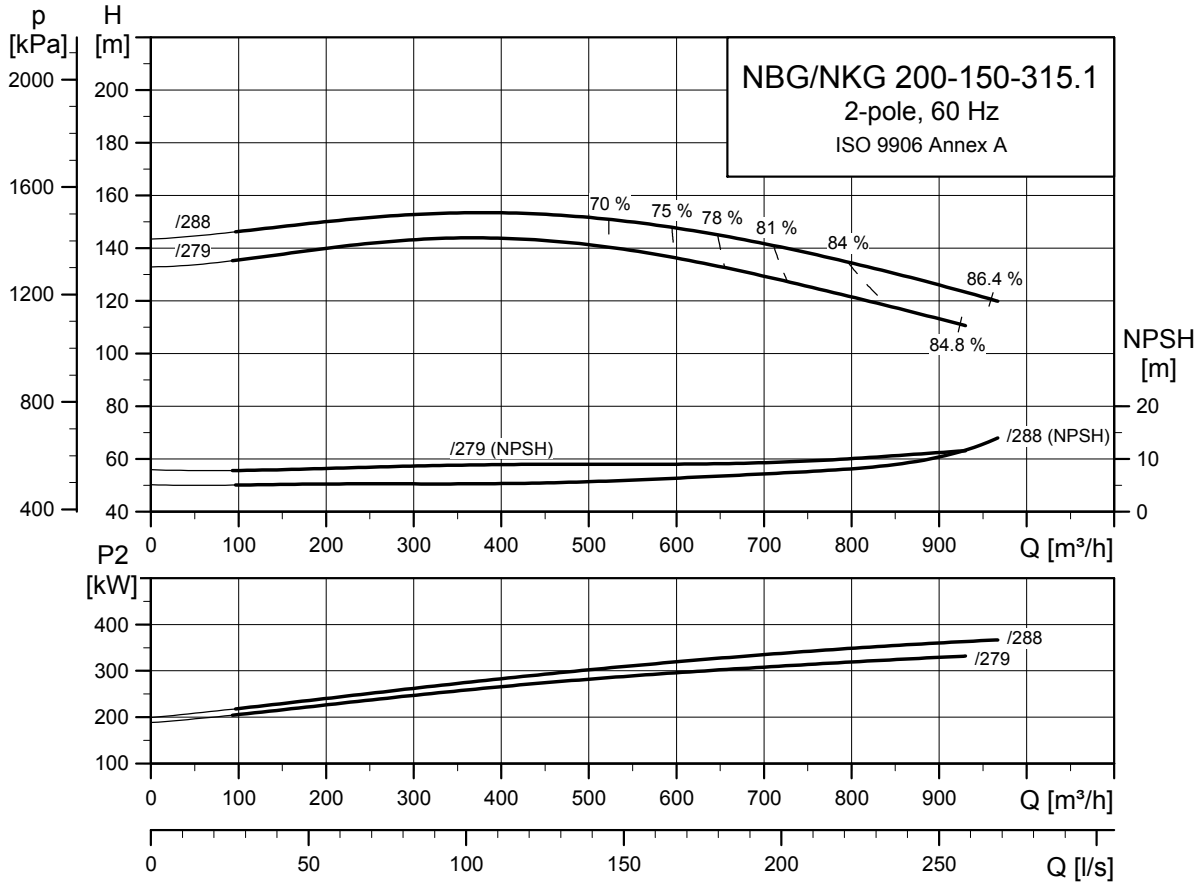
X is the minimum pull-back length of the bearing bracket required for service of impeller and shaft seal.

Overview

2-pole		4-pole		6-pole	
Pump type	See page	Pump type	See page	Pump type	See page
NBG, NKG 200-150-315.1	20	NB, NK 125-400	22	NB, NK 125-400	30
		NB, NK 150-315.1	24	NB, NK 150-315.1	32
		NBG, NKG 150-125-400	26	NBG, NKG 150-125-400	34
		NBG, NKG 200-150-315.1	28	NBG, NKG 200-150-315.1	36

5. Performance curves and technical data

NBG, NKG 2-pole



TM05 4273 2212

TM03 8010 0107

TM03 8013 0107

NBG, NKG 200-150-315.1
2-pole

Pump type	200-150-315.1/279		200-150-315.1/288	
Motor type	Standard Motor	Siemens 353		Siemens 398
	E-Motor	-		-
Common data NBG/NKG	P2	[kW]	353	398
	PN	[bar]	16	16
	DNs	[mm]	200	200
	DNd	[mm]	150	150
	a	[mm]	160	160
	h2	[mm]	400	400
	Ss	[mm]	12 x Ø22	12 x Ø23
	Sd	[mm]	8 x Ø22	8 x Ø23
NKG data	L NKG ¹⁾	[mm]	2206/2382	2449/2615
	L NKGE ¹⁾	[mm]	-/-	-/-
	l1	[mm]	2250	2250
	l2	[mm]	150	150
	l3	[mm]	2000	2000
	b1	[mm]	740	740
	b2	[mm]	1120	1120
	b3	[mm]	1060	1060
	d	[mm]	28	28
	a2	[mm]	110	110
	h	[mm]	140	140
	h3	[mm]	460	500
	h4 ²⁾	[mm]	928/-	1041/-
Base frame no. ³⁾		11C	11C	
NBG data	Design ⁴⁾		-	-
	L NBG	[mm]	-	-
	L NBG SS	[mm]	-	-
	h1	[mm]	-	-
	G1	[mm]	-	-
	G2	[mm]	-	-
	m1	[mm]	-	-
	m2	[mm]	-	-
	n1	[mm]	-	-
	n2	[mm]	-	-
	b	[mm]	-	-
	s1	[mm]	-	-
	H	[mm]	-	-
	LB ²⁾	[mm]	-	-
	AD ²⁾	[mm]	-	-
	AG ²⁾	[mm]	-	-
	LL ²⁾	[mm]	-	-
P	[mm]	-	-	
C	[mm]	-	-	
B	[mm]	-	-	
A	[mm]	-	-	
K	[mm]	-	-	
Weight data	Weight NKG, CI ¹⁾	[kg]	2467/2467	2903/2898
	Weight NKGE, CI ¹⁾	[kg]	-/-	-/-
	Weight NBG, CI	[kg]	-	-
	Weight NBGE, CI	[kg]	-	-
	Weight diff. SS	[kg]	3	3

1) Data of pump with standard coupling / spacer coupling.

2) Dimension of pump with IE2 range standard motor / dimension of pump with E-motor (built-in frequency converter).

3) For information about NKG base frames, see section 6. *Base frames*.

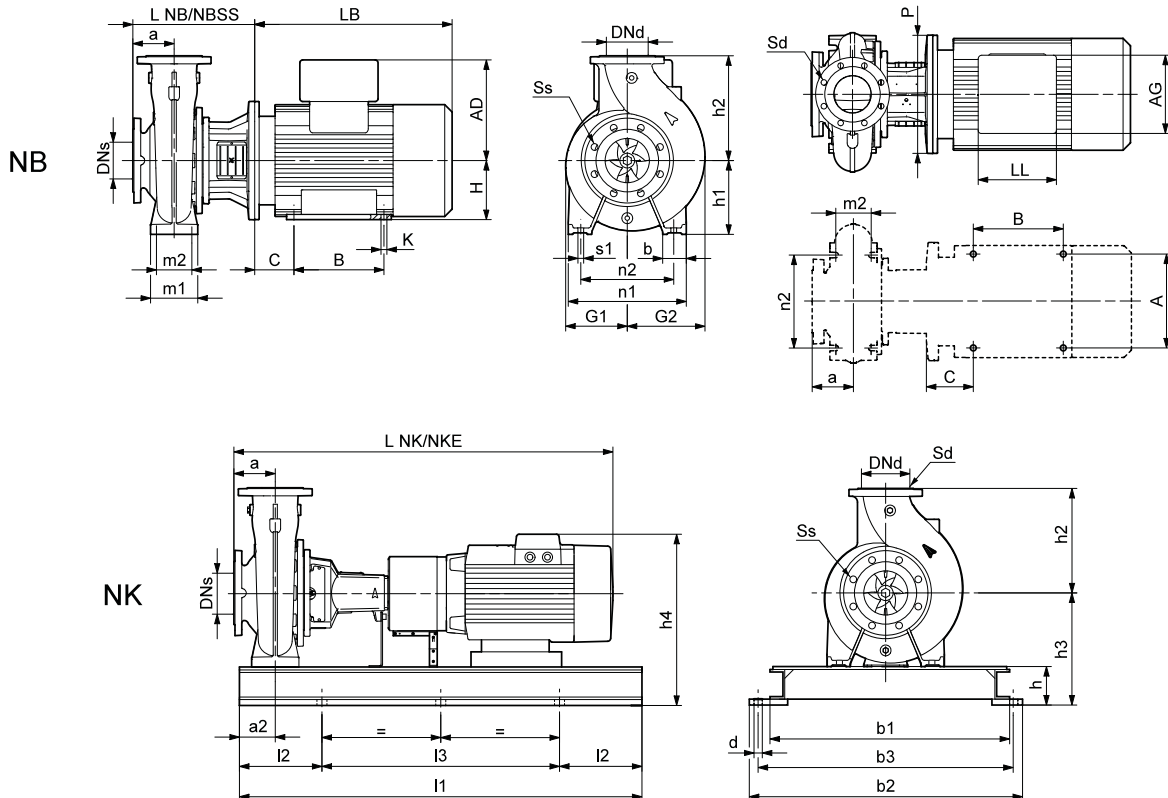
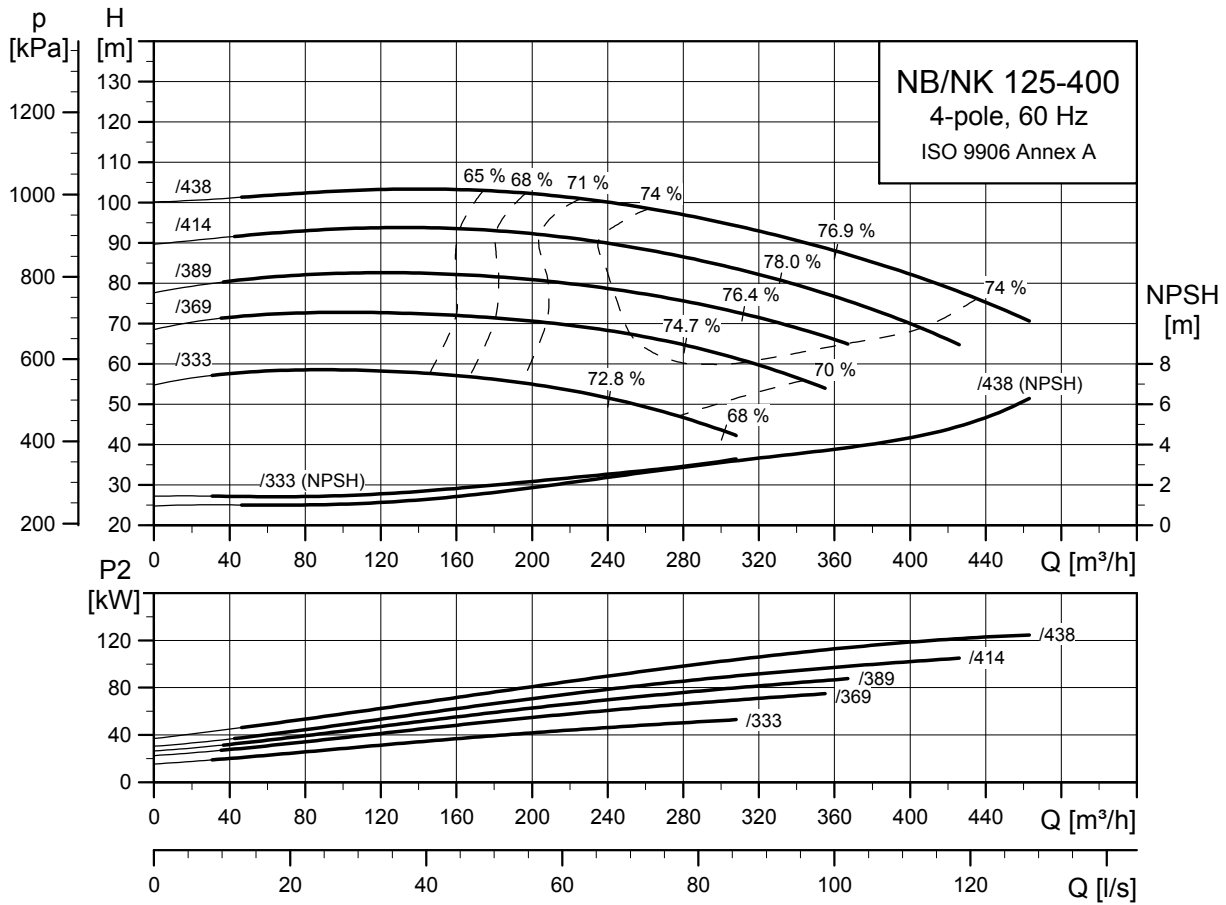
4) For information about NBG designs, see NBG, NBGE, NKG, NKGE data booklet prod. no 96695640, page 38.

For number of support blocks needed, see NBG, NBGE, NKG, NKGE data booklet prod. no 96695640, page 295.

Note: For NBG pumps with a motor frame size of 225 or above a base frame is available as an option.

See NBG, NBGE, NKG, NKGE data booklet prod. no 96695640, page 267.

NB, NK 4-pole



TM05 2349 4911

TM03 4182 4106

TM03 4051 1806

Pump type		125-400/333	125-400/369	125-400/389	125-400/414	125-400/438
Motor type	Standard Motor	Siemens 250M	Siemens 280S	Siemens 280M	Siemens 315.1S	Siemens 315.1MA
	E-Motor	-	-	-	-	-
Common data NB/NK	P2 [kW]	55	75	90	110	132
	PN [bar]	16	16	16	16	16
	DNs [mm]	150	150	150	150	150
	DNd [mm]	125	125	125	125	125
	a [mm]	140	140	140	140	140
	h2 [mm]	400	400	400	400	400
	Ss [mm]	8 x Ø23	8 x Ø23	8 x Ø23	8 x Ø23	8 x Ø23
	Sd [mm]	8 x Ø19	8 x Ø19	8 x Ø19	8 x Ø19	8 x Ø19
NK data	L NK ¹⁾ [mm]	1631/1767	1634/1770	1744/1880	1776/1912	1936/2072
	L NKE ¹⁾ [mm]	-/-	-/-	-/-	-/-	-/-
	l1 [mm]	1800	2000	2000	2000	2000
	l2 [mm]	300	330	330	330	330
	l3 [mm]	1200	1340	1340	1340	1340
	b1 [mm]	600	750	750	750	750
	b2 [mm]	730	890	890	890	890
	b3 [mm]	670	830	830	830	830
	d [mm]	28	28	28	28	28
	a2 [mm]	110	110	110	110	110
	h [mm]	100	130	130	130	130
	h3 [mm]	415	445	445	450	450
	h4 ²⁾ [mm]	807/-	877/-	877/-	945/-	945/-
Base frame no. ³⁾	9	10	10	10	10	
NB data	Design ⁴⁾	C	C	C	C	C
	L NB [mm]	441	441	441	471	471
	L NB SS [mm]	441	441	441	471	471
	h1 [mm]	315.1	315.1	315.1	315.1	315.1
	G1 [mm]	284	284	284	284	284
	G2 [mm]	320	320	320	320	320
	m1 [mm]	200	200	200	200	200
	m2 [mm]	150	150	150	150	150
	n1 [mm]	500	500	500	500	500
	n2 [mm]	400	400	400	400	400
	b [mm]	100	100	100	100	100
	s1 [mm]	M20	M20	M20	M20	M20
	H [mm]	250	280	280	315.1	315.1
	LB ²⁾ [mm]	817/-	820/-	930/-	932/-	1092/-
	AD ²⁾ [mm]	392/-	432/-	432/-	495/-	495/-
	AG ²⁾ [mm]	300/-	300/-	300/-	379/-	379/-
	LL ²⁾ [mm]	236/-	236/-	236/-	307/-	307/-
	P [mm]	550	550	550	660	660
	C [mm]	168	190	190	216	216
	B [mm]	349	368	419	406	457
A [mm]	406	457	457	508	508	
K [mm]	24	24	24	28	28	
Weight data	Weight NK. CI ¹⁾ [kg]	968/967	1200/1194	1304/1298	1412/1414	1567/1570
	Weight NKE. CI ¹⁾ [kg]	-/-	-/-	-/-	-/-	-/-
	Weight NB. CI [kg]	715	830	930	1107	1262
	Weight NBE. CI [kg]	-	-	-	-	-
	Weight diff. SS [kg]	-7	-7	-7	-7	-7

1) Data of pump with standard coupling / spacer coupling.

2) Dimension of pump with IE2 range standard motor / dimension of pump with E-motor (built-in frequency converter).

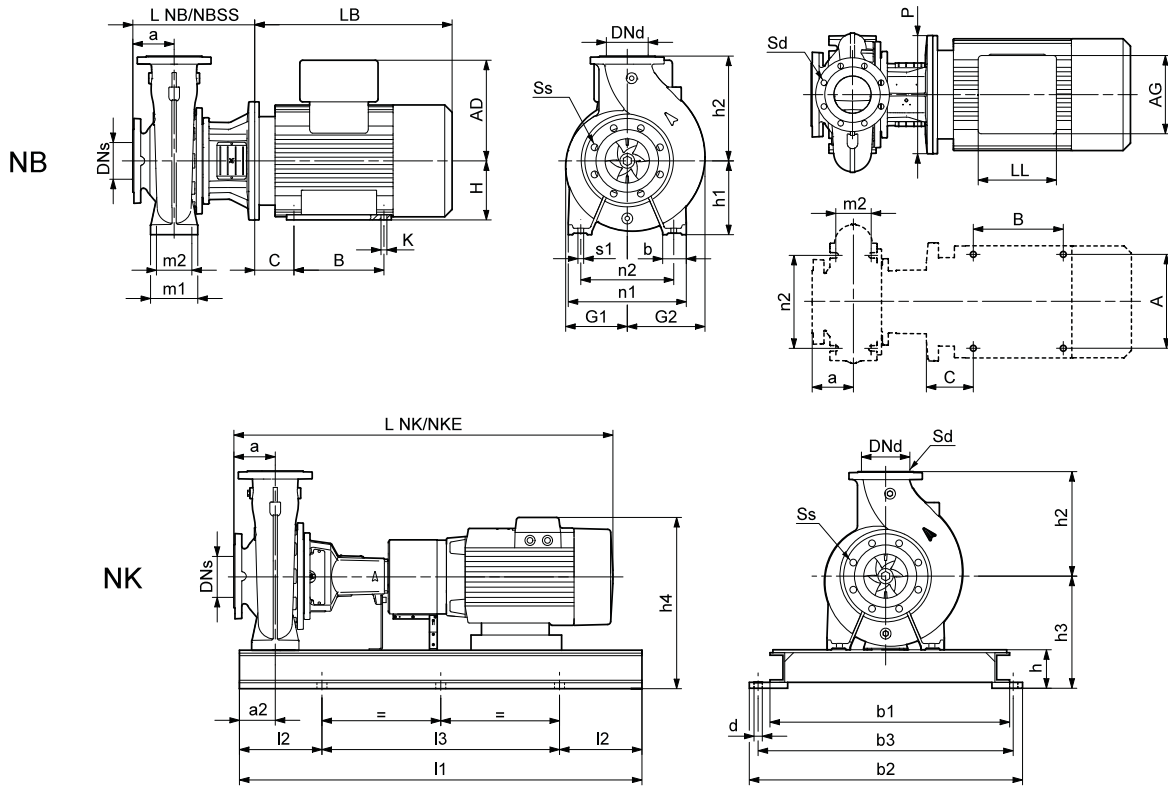
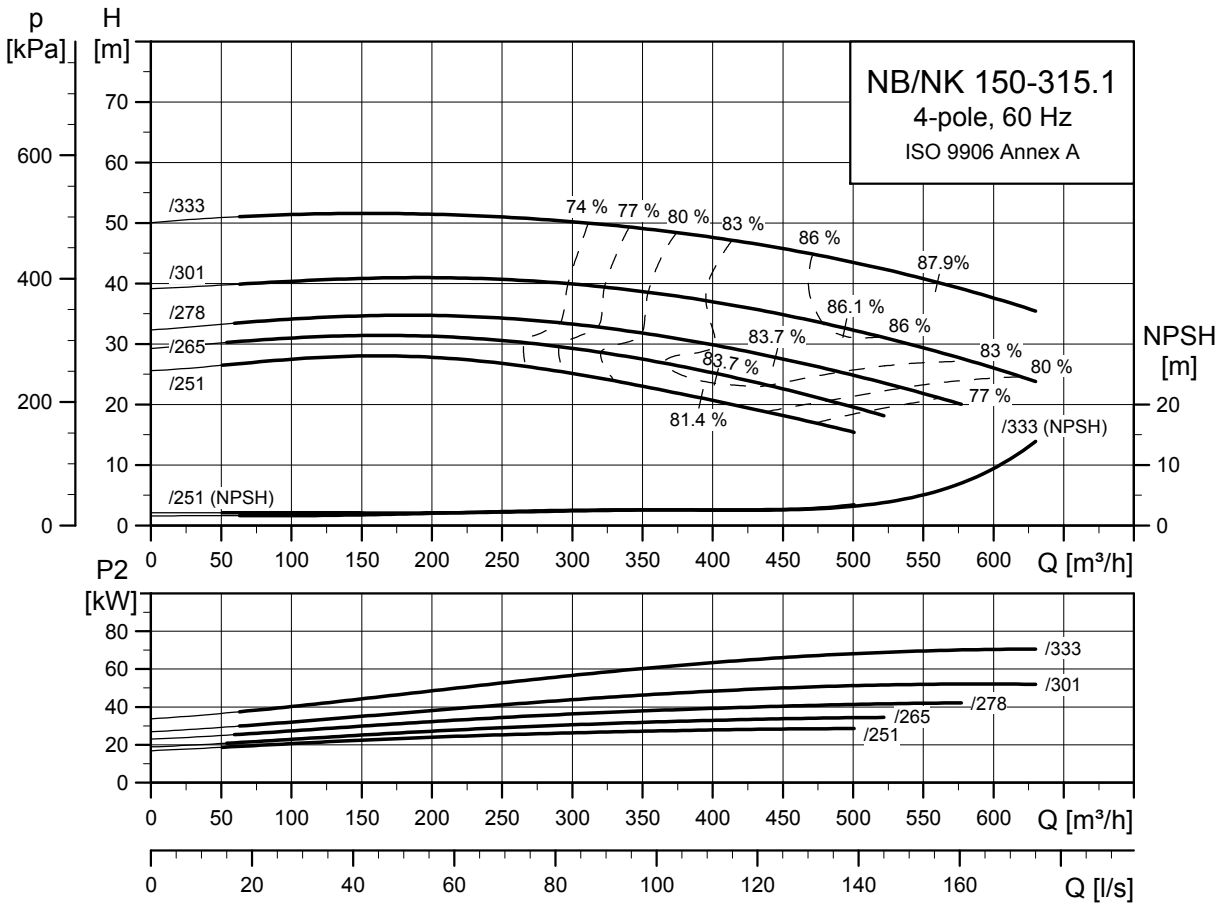
3) For information about NK base frames, see section 6. *Base frames*.

4) For information about NB designs, see NB, NBE, NK, NKE data booklet prod. no 96695638, page 33.

For number of support blocks needed, see NB, NBE, NK, NKE data booklet prod. no 96695638, page 284.

Note: For NB pumps with a motor frame size of 225 or above a base frame is available as an option.

See NB, NBE, NK, NKE data booklet prod. no 96695638, page 257.



TM05 4274 2212

TM03 4182 4106

TM03 4051 1806

Pump type		150-315.1/251	150-315.1/265	150-315.1/287	150-315.1/301	150-315.1/333
Motor type	Standard Motor	Siemens 200L	Siemens 225S	Siemens 225M	Siemens 250M	Siemens 280S
	E-Motor	-	-	-	-	-
Common data NB/NK	P2 [kW]	30	37	45	55	75
	PN [bar]	10	10	10	10	10
	DNs [mm]	200	200	200	200	200
	DNd [mm]	150	150	150	150	150
	a [mm]	160	160	160	160	160
	h2 [mm]	400	400	400	400	400
	Ss [mm]	8 x Ø21	8 x Ø21	8 x Ø22	8 x Ø23	8 x Ø24
	Sd [mm]	8 x Ø23	8 x Ø23	8 x Ø23	8 x Ø23	8 x Ø23
NK data	L NK ¹⁾ [mm]	1463/1599	1483/1619	1653/1679	1651/1787	1654/1790
	L NKE ¹⁾ [mm]	-/-	-/-	-/-	-/-	-/-
	l1 [mm]	1800	1800	1800	1800	2000
	l2 [mm]	300	300	300	300	330
	l3 [mm]	1200	1200	1200	1200	1340
	b1 [mm]	600	600	600	600	750
	b2 [mm]	730	730	730	730	890
	b3 [mm]	670	670	670	670	830
	d [mm]	28	28	28	28	28
	a2 [mm]	110	110	110	110	110
	h [mm]	100	100	100	100	130
	h3 [mm]	380	380	380	380	415
	h4 ²⁾ [mm]	685/-	705/-	705/-	772/-	847/-
	Base frame no. ³⁾	9	9	9	9	10
NB data	Design ⁴⁾	C	C	C	C	C
	L NB [mm]	431	461	461	461	461
	L NB SS [mm]	431	461	461	461	461
	h1 [mm]	280	280	280	280	280
	G1 [mm]	264	264	264	264	264
	G2 [mm]	334	334	334	334	334
	m1 [mm]	200	200	200	200	200
	m2 [mm]	150	150	150	150	150
	n1 [mm]	550	550	550	550	550
	n2 [mm]	450	450	450	450	450
	b [mm]	100	100	100	100	100
	s1 [mm]	M20	M20	M20	M20	M20
	H [mm]	200	225	225	250	280
	LB ²⁾ [mm]	659	649	709	817/-	820/-
	AD ²⁾ [mm]	305	325	325	392/-	432/-
	AG ²⁾ [mm]	260	260	260	300/-	300/-
	LL ²⁾ [mm]	192	192	192	236/-	236/-
	P [mm]	400	450	450	550	550
	C [mm]	133	149	149	168	190
	B [mm]	305	286	311	349	368
A [mm]	318	356	356	406	457	
K [mm]	19	19	19	24	24	
Weight data	Weight NK. CI ¹⁾ [kg]	628/634	747/742	787/782	909/908	1159/1153
	Weight NKE. CI ¹⁾ [kg]	-/-	-/-	-/-	-/-	-/-
	Weight NB. CI [kg]	425	522	562	702	817
	Weight NBE. CI [kg]	-	-	-	-	-
	Weight diff. SS [kg]	3	3	3	3	3

1) Data of pump with standard coupling / spacer coupling.

2) Dimension of pump with IE2 range standard motor / dimension of pump with E-motor (built-in frequency converter).

3) For information about NK base frames, see section 6. *Base frames*.

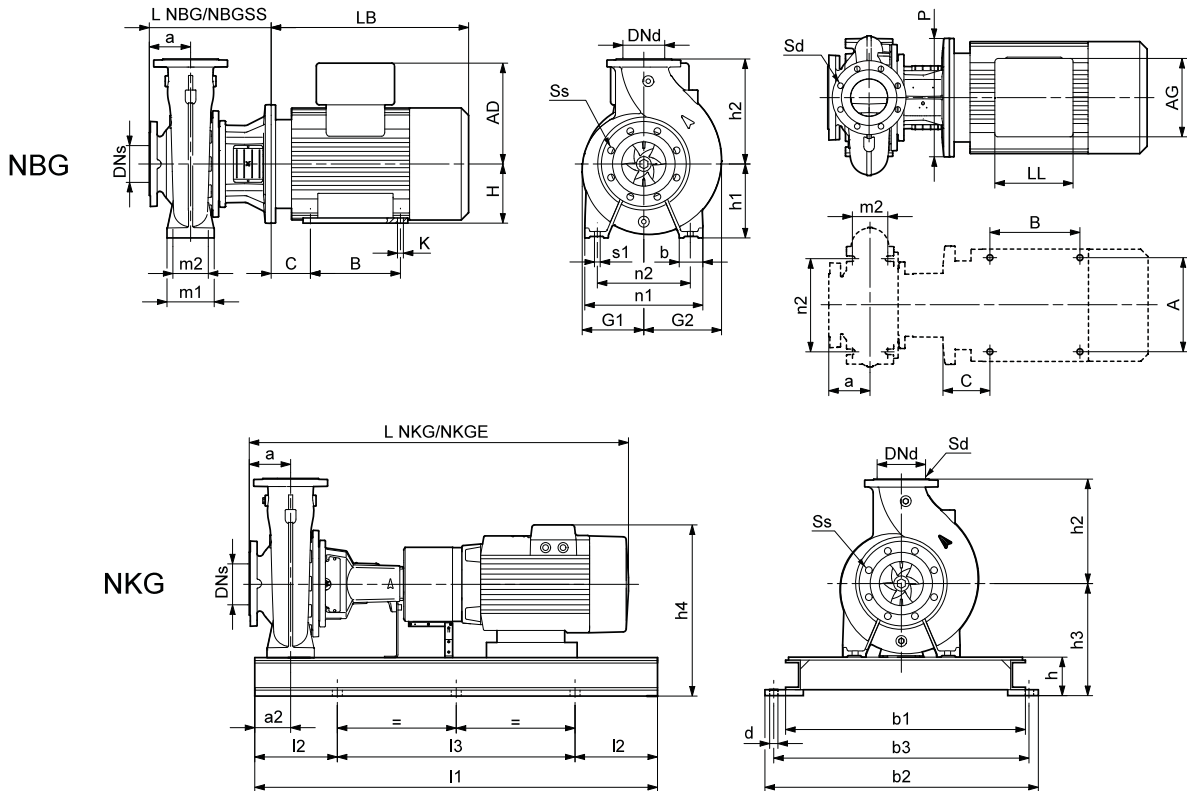
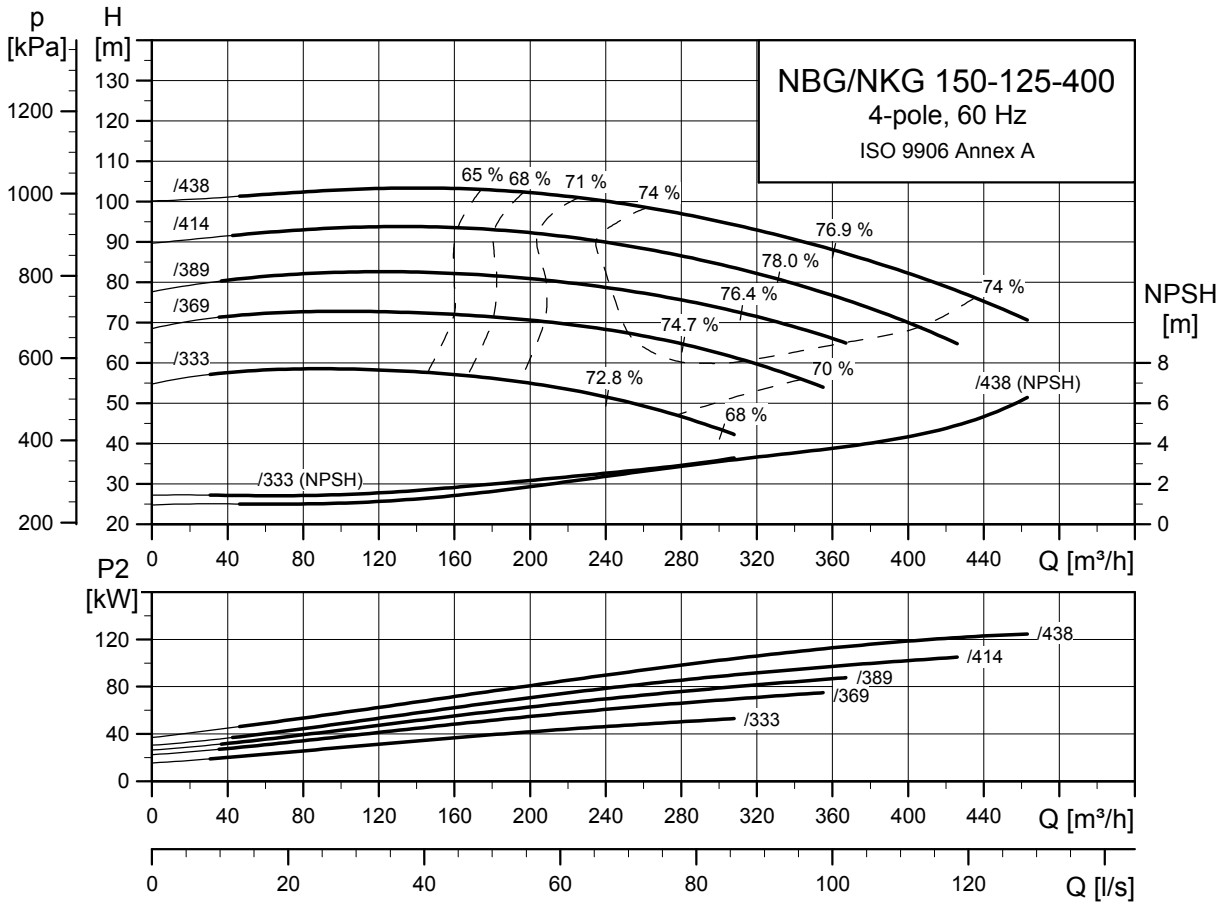
4) For information about NB designs, see NB, NBE, NK, NKE data booklet prod. no 96695638, page 33.

For number of support blocks needed, see NB, NBE, NK, NKE data booklet prod. no 96695638, page 284.

Note: For NB pumps with a motor frame size of 225 or above a base frame is available as an option.

See NB, NBE, NK, NKE data booklet prod. no 96695638, page 257.

NBG, NKG 4-pole



TM05 2345 4911

TM03 8010 0107

TM03 8013 0107

Pump type		150-125-400/333	150-125-400/369	150-125-400/389	150-125-400/414	150-125-400/438	
Motor type	Standard Motor	Siemens 250M	Siemens 280S	Siemens 280M	Siemens 315.1S	Siemens 315.1MA	
	E-Motor	-	-	-	-	-	
Common data NBG/NKG	P2	[kW]	55	75	90	110	132
	PN	[bar]	16	16	16	16	16
	DNs	[mm]	150	150	150	150	150
	DNd	[mm]	125	125	125	125	125
	a	[mm]	140	140	140	140	140
	h2	[mm]	400	400	400	400	400
	Ss	[mm]	8 x Ø23	8 x Ø23	8 x Ø23	8 x Ø23	8 x Ø23
	Sd	[mm]	8 x Ø19	8 x Ø19	8 x Ø19	8 x Ø19	8 x Ø19
NKG data	L NKG ¹⁾	[mm]	1631/1767	1634/1770	1744/1880	1776/1912	1936/2072
	L NKGE ¹⁾	[mm]	-/-	-/-	-/-	-/-	-/-
	l1	[mm]	1800	2000	2000	2000	2000
	l2	[mm]	300	330	330	330	330
	l3	[mm]	1200	1340	1340	1340	1340
	b1	[mm]	600	750	750	750	750
	b2	[mm]	730	890	890	890	890
	b3	[mm]	670	830	830	830	830
	d	[mm]	28	28	28	28	28
	a2	[mm]	110	110	110	110	110
	h	[mm]	100	130	130	130	130
	h3	[mm]	415	445	445	450	450
	h4 ²⁾	[mm]	807/-	877/-	877/-	945/-	945/-
	Base frame no. ³⁾		9	10	10	10	10
NBG data	Design ⁴⁾		C	C	C	C	C
	L NBG	[mm]	441	441	441	471	471
	L NBG SS	[mm]	441	441	441	471	471
	h1	[mm]	315.1	315.1	315.1	315.1	315.1
	G1	[mm]	284	284	284	284	284
	G2	[mm]	320	320	320	320	320
	m1	[mm]	200	200	200	200	200
	m2	[mm]	150	150	150	150	150
	n1	[mm]	500	500	500	500	500
	n2	[mm]	400	400	400	400	400
	b	[mm]	100	100	100	100	100
	s1	[mm]	M20	M20	M20	M20	M20
	H	[mm]	250	280	280	315.1	315.1
	LB ²⁾	[mm]	817/-	820/-	930/-	932/-	1092/-
	AD ²⁾	[mm]	392/-	432/-	432/-	495/-	495/-
	AG ²⁾	[mm]	300/-	300/-	300/-	379/-	379/-
	LL ²⁾	[mm]	236/-	236/-	236/-	307/-	307/-
	P	[mm]	550	550	550	660	660
	C	[mm]	168	190	190	216	216
	B	[mm]	349	368	419	406	457
A	[mm]	406	457	457	508	508	
K	[mm]	24	24	24	28	28	
Weight data	Weight NKG, CI ¹⁾	[kg]	970/969	1202/1196	1306/1300	1414/1416	1570/1572
	Weight NKGE, CI ¹⁾	[kg]	-/-	-/-	-/-	-/-	-/-
	Weight NBG, CI	[kg]	716	831	931	1108	1263
	Weight NBGE, CI	[kg]	-	-	-	-	-
	Weight diff. SS	[kg]	-7	-7	-7	-7	-7

1) Data of pump with standard coupling / spacer coupling.

2) Dimension of pump with IE2 range standard motor / dimension of pump with E-motor (built-in frequency converter).

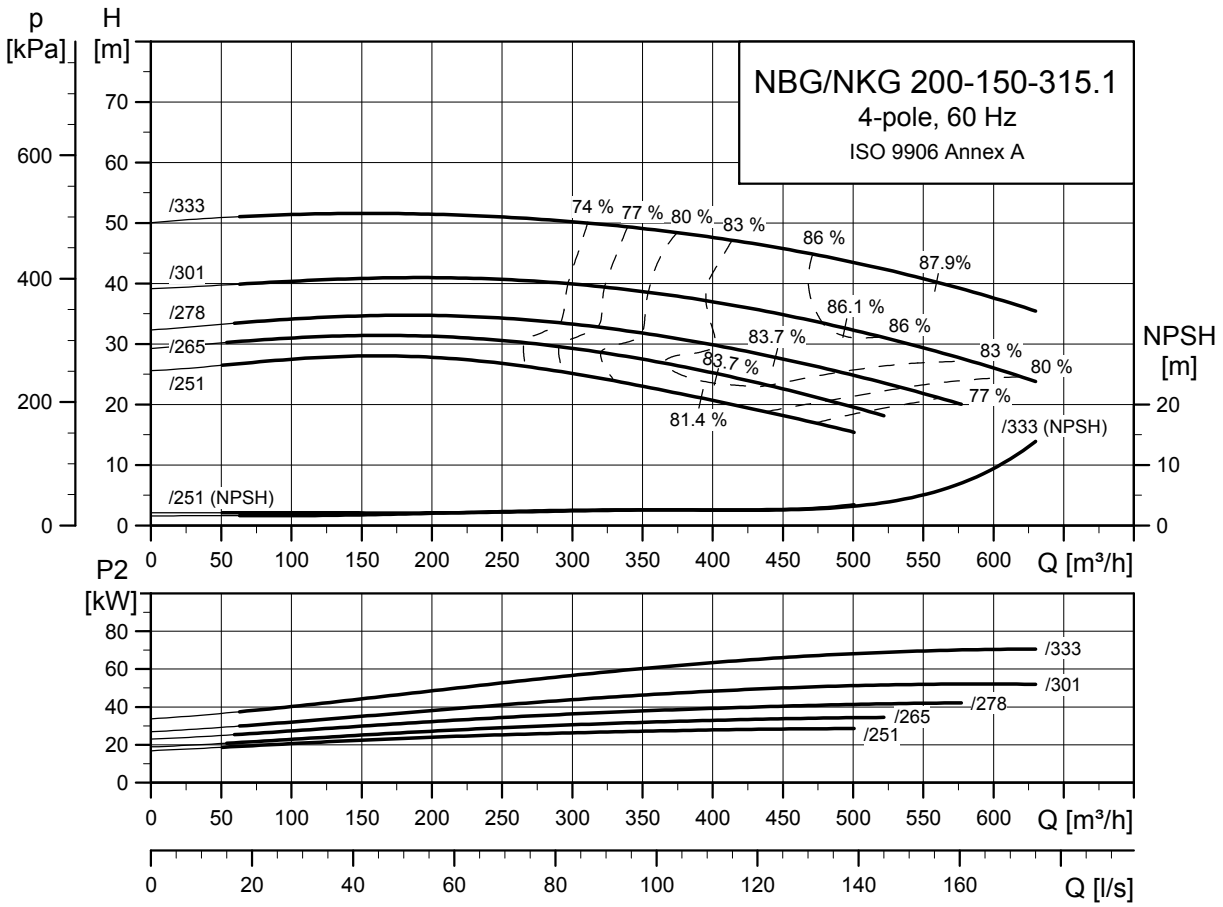
3) For information about NKG base frames, see section 6. *Base frames*.

4) For information about NBG designs, see NBG, NBGE, NKG, NKGE data booklet prod. no 96695640, page 38.

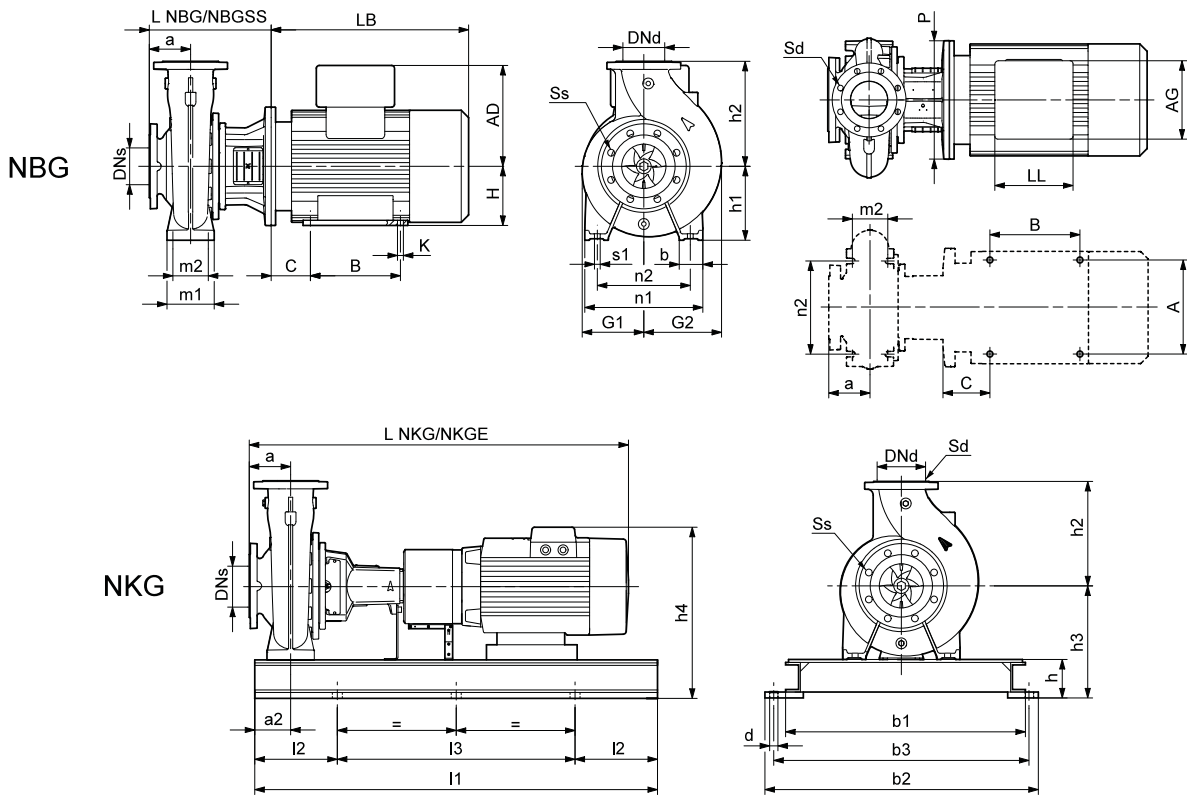
For number of support blocks needed, see NBG, NBGE, NKG, NKGE data booklet prod. no 96695640, page 295.

Note: For NBG pumps with a motor frame size of 225 or above a base frame is available as an option.

See NBG, NBGE, NKG, NKGE data booklet prod. no 96695640, page 267.



TM05 4275 2212



TM03 8010 0107

TM03 8013 0107

Pump type		200-150-315.1/251	200-150-315.14/265	200-150-315.1/278	200-150-315.1/301	200-150-315.1/333	
Motor type	Standard Motor	Siemens 200L	Siemens 225S	Siemens 225M	Siemens 250M	Siemens 280S	
	E-Motor	-	-	-	-	-	
Common data NBG/NKG	P2	[kW]	30	37	45	55	75
	PN	[bar]	16	16	16	16	16
	DNs	[mm]	200	200	200	200	200
	DNd	[mm]	150	150	150	150	150
	a	[mm]	160	160	160	160	160
	h2	[mm]	400	400	400	400	400
	Ss	[mm]	12 x Ø23	12 x Ø23	12 x Ø23	12 x Ø23	12 x Ø23
	Sd	[mm]	8 x Ø23	8 x Ø23	8 x Ø23	8 x Ø23	8 x Ø23
NKG data	L NKG ¹⁾	[mm]	1603/1779	1621/1797	1683/1859	1791/1967	1794/1970
	L NKGE ¹⁾	[mm]	-/-	-/-	-/-	-/-	-/-
	l1	[mm]	1800	1800	1800	1800	2000
	l2	[mm]	300	300	300	300	330
	l3	[mm]	1200	1200	1200	1200	1340
	b1	[mm]	600	600	600	600	750
	b2	[mm]	730	730	730	730	890
	b3	[mm]	670	670	670	670	830
	d	[mm]	28	28	28	28	28
	a2	[mm]	110	110	110	110	110
	h	[mm]	100	100	100	100	130
	h3	[mm]	415	415	415	415	445
	h4 ²⁾	[mm]	720/-	740/-	740/-	807/-	877/-
Base frame no. ³⁾		9	9	9	9	10	
NBG data	Design ⁴⁾		C	C	C	C	C
	L NBG	[mm]	444	474	474	474	474
	L NBG SS	[mm]	444	474	474	474	474
	h1	[mm]	315	315	315	315	315
	G1	[mm]	264	264	264	264	264
	G2	[mm]	331	331	331	331	331
	m1	[mm]	200	200	200	200	200
	m2	[mm]	150	150	150	150	150
	n1	[mm]	550	550	550	550	550
	n2	[mm]	450	450	450	450	450
	b	[mm]	100	100	100	100	100
	s1	[mm]	M20	M20	M20	M20	M20
	H	[mm]	200	225	225	250	280
	LB ²⁾	[mm]	659	649	709	817/-	820/-
	AD ²⁾	[mm]	305	325	325	392/-	432/-
	AG ²⁾	[mm]	260	260	260	300/-	300/-
	LL ²⁾	[mm]	192	192	192	236/-	236/-
	P	[mm]	400	450	450	550	550
	C	[mm]	133	149	149	168	190
B	[mm]	305	286	311	349	368	
A	[mm]	318	356	356	406	457	
K	[mm]	19	19	19	24	24	
Weight data	Weight NKG, CI ¹⁾	[kg]	728/729	816/813	856/853	1033/1033	1265/1260
	Weight NKGE, CI ¹⁾	[kg]	-/-	-/-	-/-	-/-	-/-
	Weight NBG, CI	[kg]	435	533	573	720	835
	Weight NBGE, CI	[kg]	-	-	-	-	-
	Weight diff. SS	[kg]	3	3	3	3	3

1) Data of pump with standard coupling / spacer coupling.

2) Dimension of pump with IE2 range standard motor / dimension of pump with E-motor (built-in frequency converter).

3) For information about NKG base frames, see section 6. *Base frames*.

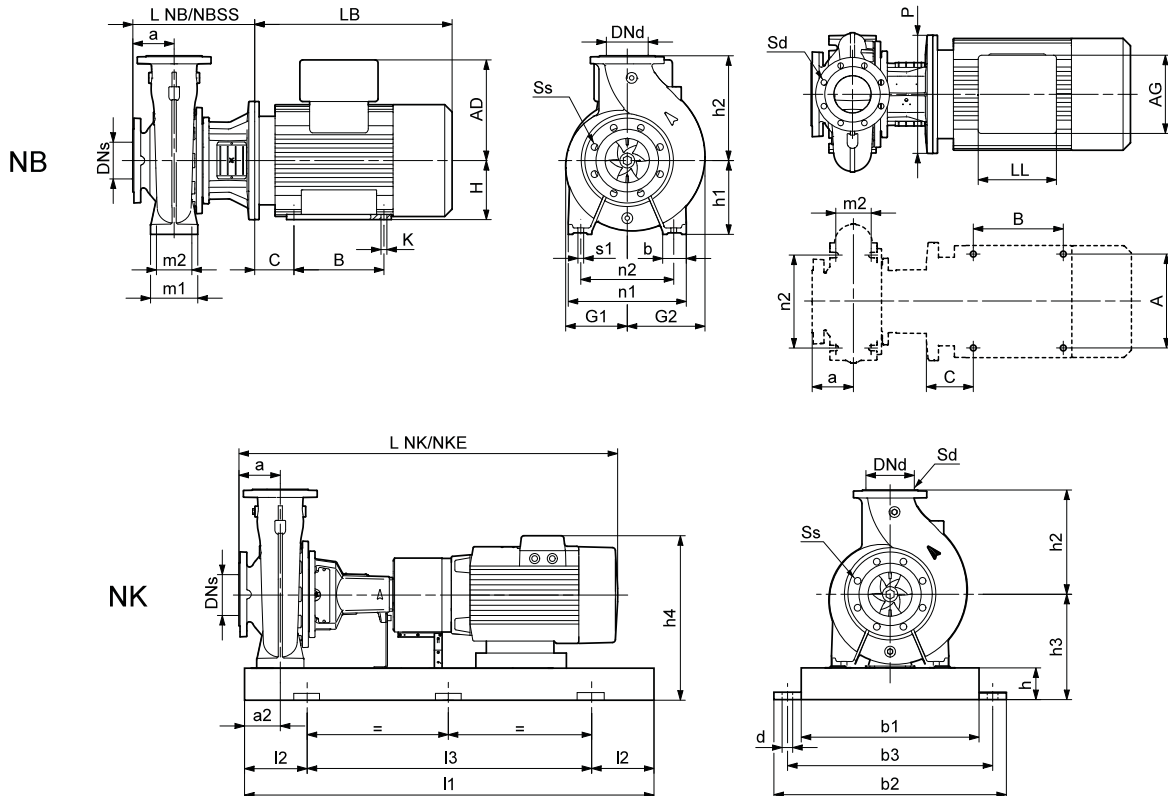
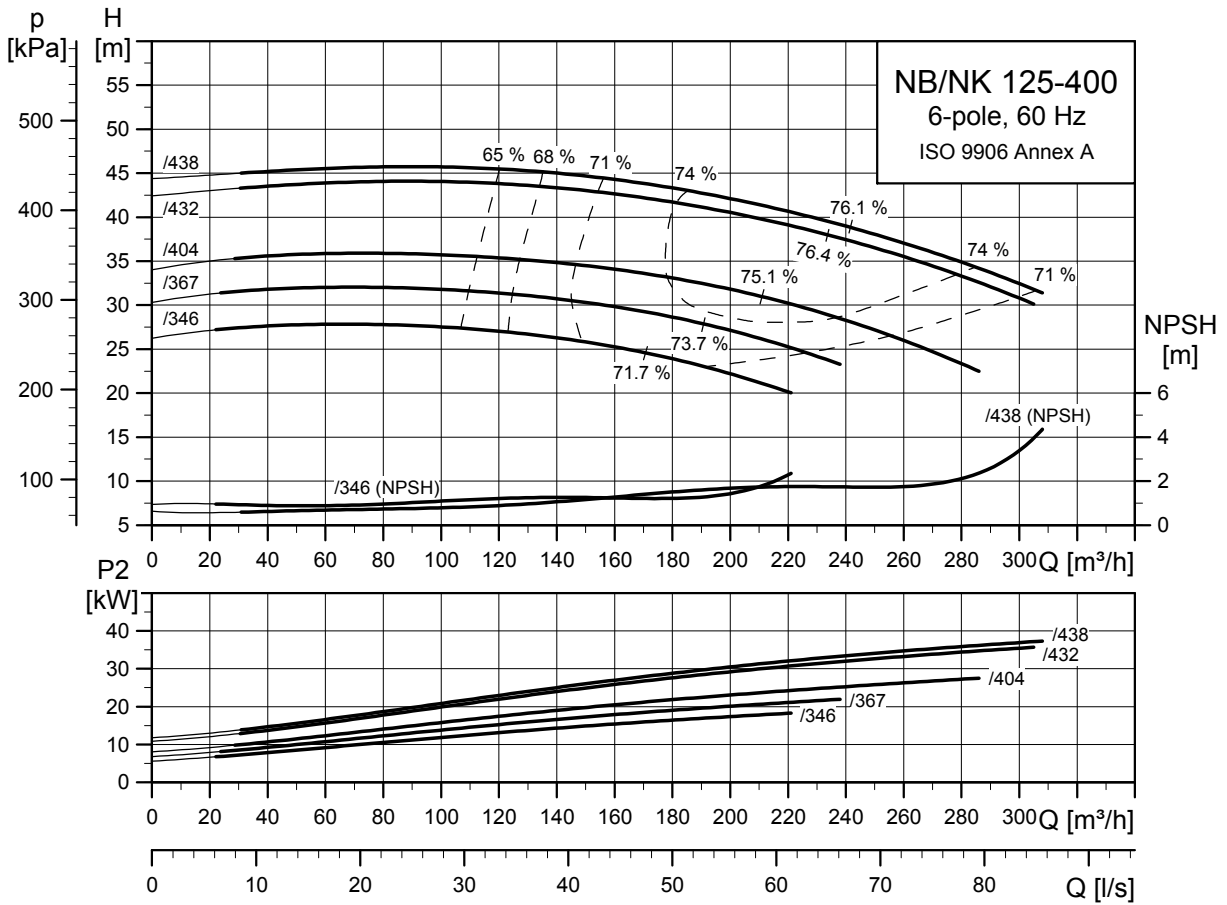
4) For information about NBG designs, see NBG, NBGE, NKG, NKGE data booklet prod. no 96695640, page 38.

For number of support blocks needed, see NBG, NBGE, NKG, NKGE data booklet prod. no 96695640, page 295.

Note: For NBG pumps with a motor frame size of 225 or above a base frame is available as an option.

See NBG, NBGE, NKG, NKGE data booklet prod. no 96695640, page 267.

NB, NK 6-pole



TM05 2350 4911

TM03 4182 4106

TM03 4179 1806

Pump type		125-400/346	125-400/367	125-400/404	125-400/432	125-400/438
Motor type	Standard Motor	Siemens 200LA	Siemens 200LB	Siemens 225M	Siemens 250M	Siemens 280S
	E-Motor	-	-	-	-	-
Common data NB/NK	P2 [kW]	18.5	22	30	37	45
	PN [bar]	16	16	16	16	16
	DNs [mm]	150	150	150	150	150
	DNd [mm]	125	125	125	125	125
	a [mm]	140	140	140	140	140
	h2 [mm]	400	400	400	400	400
	Ss [mm]	8 x Ø23	8 x Ø23	8 x Ø23	8 x Ø23	8 x Ø23
	Sd [mm]	8 x Ø19	8 x Ø19	8 x Ø19	8 x Ø19	8 x Ø19
NK data	L NK ¹⁾ [mm]	1443/1579	1443/1579	1523/1659	1561/1697	1634/1770
	L NKE ¹⁾ [mm]	-/-	-/-	-/-	-/-	-/-
	l1 [mm]	1800	1800	1800	1800	2000
	l2 [mm]	300	300	300	300	330
	l3 [mm]	1200	1200	1200	1200	1340
	b1 [mm]	600	600	600	600	750
	b2 [mm]	730	730	730	730	890
	b3 [mm]	670	670	670	670	830
	d [mm]	28	28	28	28	28
	a2 [mm]	110	110	110	110	110
	h [mm]	100	100	100	100	130
	h3 [mm]	415	415	415	415	445
	h4 ²⁾ [mm]	720/-	720/-	740/-	807/-	877/-
	Base frame no. ³⁾	9	9	9	9	10
NB data	Design ⁴⁾	C	C	C	C	C
	L NB [mm]	411	411	441	441	441
	L NB SS [mm]	411	411	441	441	441
	h1 [mm]	315.1	315.1	315.1	315.1	315.1
	G1 [mm]	284	284	284	284	284
	G2 [mm]	320	320	320	320	320
	m1 [mm]	200	200	200	200	200
	m2 [mm]	150	150	150	150	150
	n1 [mm]	500	500	500	500	500
	n2 [mm]	400	400	400	400	400
	b [mm]	100	100	100	100	100
	s1 [mm]	M20	M20	M20	M20	M20
	H [mm]	200	200	225	250	280
	LB ²⁾ [mm]	659/-	659/-	709/-	747/-	820/-
	AD ²⁾ [mm]	305/-	305/-	325/-	392/-	432/-
	AG ²⁾ [mm]	260/-	260/-	260/-	300/-	300/-
	LL ²⁾ [mm]	192/-	192/-	192/-	236/-	236/-
	P [mm]	400	400	450	550	550
	C [mm]	133	133	149	168	190
	B [mm]	305	305	311	349	368
A [mm]	318	318	356	406	457	
K [mm]	19	19	19	24	24	
Weight data	Weight NK. CI ¹⁾ [kg]	633/628	664/659	782/778	914/913	1146/1140
	Weight NKE. CI ¹⁾ [kg]	-/-	-/-	-/-	-/-	-/-
	Weight NB. CI [kg]	418	449	568	661	776
	Weight NBE. CI [kg]	-	-	-	-	-
	Weight diff. SS [kg]	-7	-7	-7	-7	-7

1) Data of pump with standard coupling / spacer coupling.

2) Dimension of pump with IE2 range standard motor / dimension of pump with E-motor (built-in frequency converter).

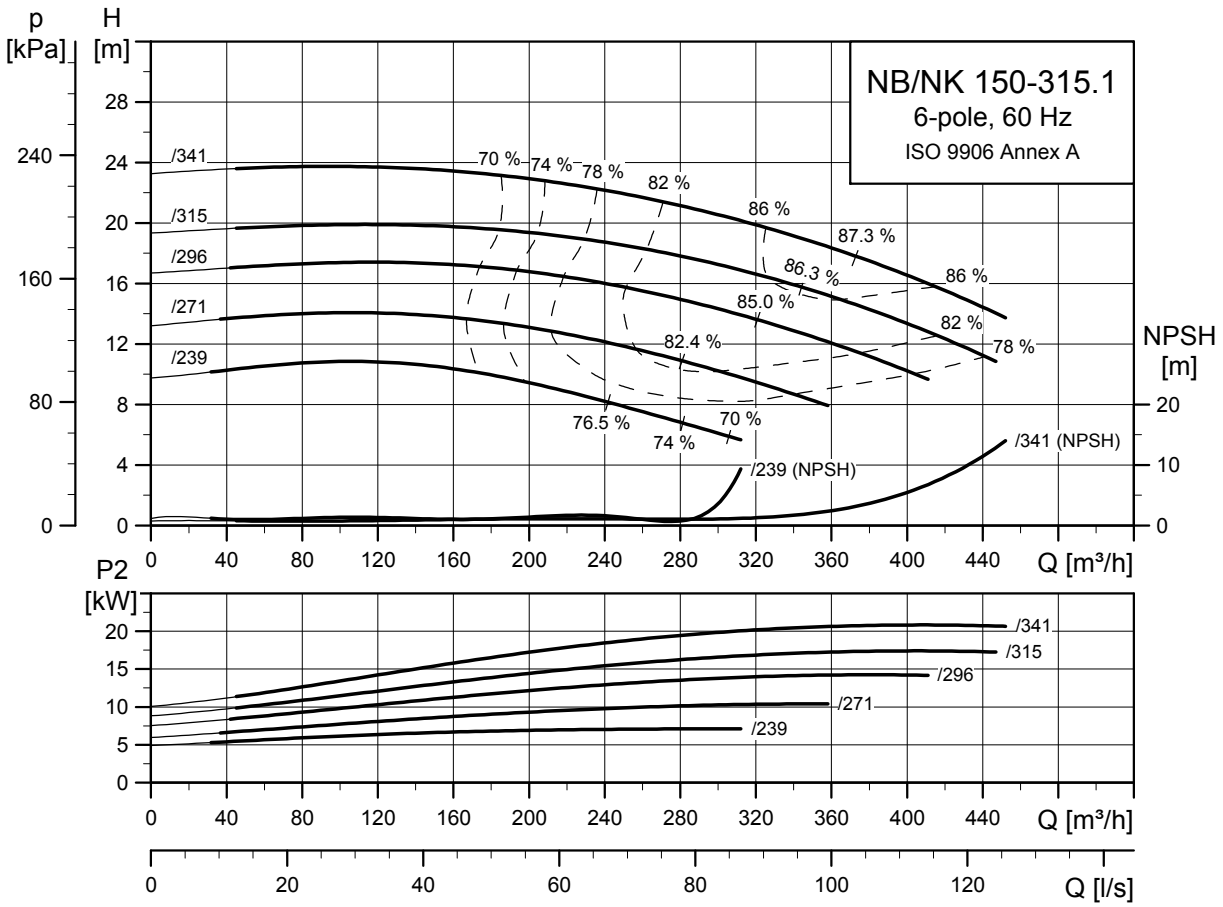
3) For information about NK base frames, see section 6. *Base frames*.

4) For information about NB designs, see NB, NBE, NK, NKE data booklet prod. no 96695638, page 33.

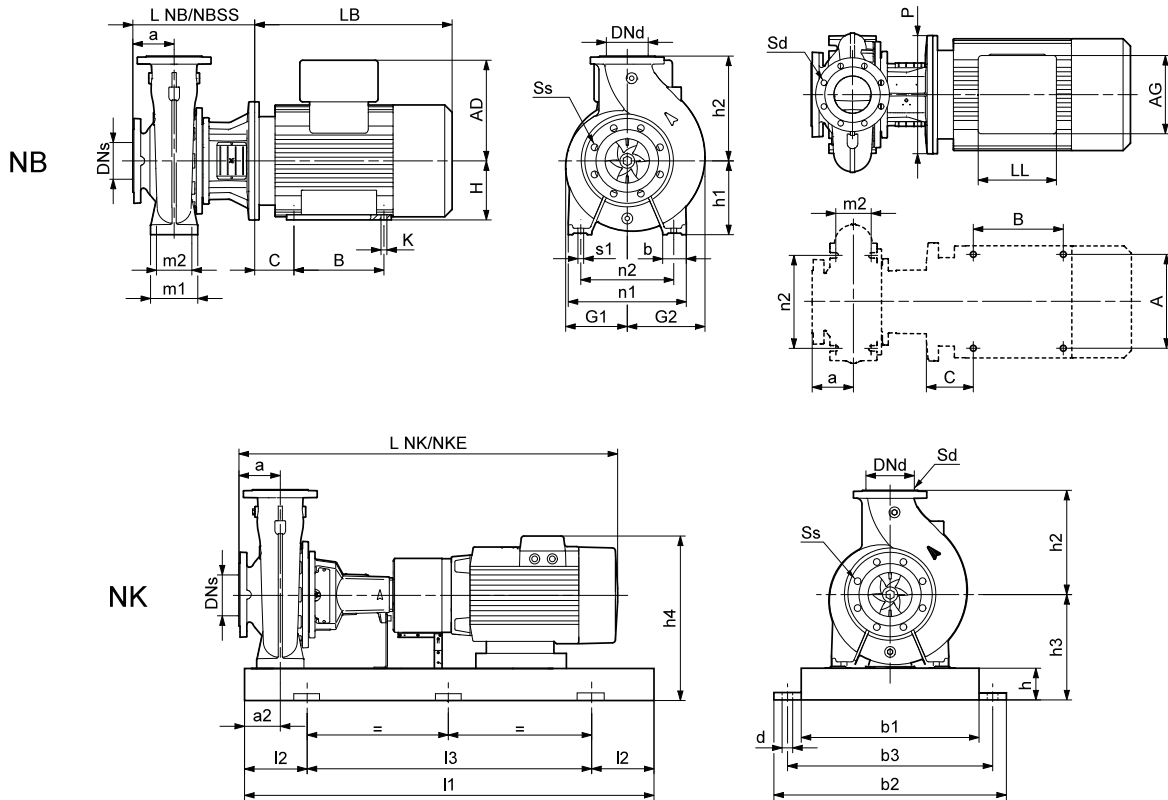
For number of support blocks needed, see NB, NBE, NK, NKE data booklet prod. no 96695638, page 284.

Note: For NB pumps with a motor frame size of 225 or above a base frame is available as an option.

See NB, NBE, NK, NKE data booklet prod. no 96695638, page 257.



TM05 4276 2212



TM03 4182 4106

TM03 4179 1806

Pump type		150-315.1/239	150-315.1/271	150-315.1/296	150-315.1/315	150-315.1/341
Motor type	Standard Motor	Siemens 160M	Siemens 160L	Siemens 180L	Siemens 200LA	Siemens 200LB
	E-Motor	-	-	-	-	-
Common data NB/NK	P2 [kW]	7.5	11	15	18.5	22
	PN [bar]	10	10	10	10	10
	DNs [mm]	200	200	200	200	200
	DNd [mm]	150	150	150	150	150
	a [mm]	160	160	160	160	160
	h2 [mm]	400	400	400	400	400
	Ss [mm]	8 x Ø23	8 x Ø24	8 x Ø25	8 x Ø26	8 x Ø27
	Sd [mm]	8 x Ø23	8 x Ø23	8 x Ø23	8 x Ø23	8 x Ø23
NK data	L NK ¹⁾ [mm]	1463/1599	1322/1458	1406/1542	1463/1599	1463/1599
	L NKE ¹⁾ [mm]	-/-	-/-	-/-	-/-	-/-
	l1 [mm]	1800	1800	1800	1800	1800
	l2 [mm]	300	300	300	300	300
	l3 [mm]	1200	1200	1200	1200	1200
	b1 [mm]	600	600	600	600	600
	b2 [mm]	730	730	730	730	730
	b3 [mm]	670	670	670	670	670
	d [mm]	28	28	28	28	28
	a2 [mm]	110	110	110	110	110
	h [mm]	100	100	100	100	100
	h3 [mm]	380	380	380	380	380
	h4 ²⁾ [mm]	577/-	577/-	641/-	685/-	685/-
Base frame no. ³⁾	9	9	9	9	9	
NB data	Design ⁴⁾	C	C	C	C	C
	L NB [mm]	431	431	431	431	431
	L NB SS [mm]	431	431	431	431	431
	h1 [mm]	280	280	280	280	280
	G1 [mm]	264	264	264	264	264
	G2 [mm]	334	334	334	334	334
	m1 [mm]	200	200	200	200	200
	m2 [mm]	150	150	150	150	150
	n1 [mm]	550	550	550	550	550
	n2 [mm]	450	450	450	450	450
	b [mm]	100	100	100	100	100
	s1 [mm]	M20	M20	M20	M20	M20
	H [mm]	160	160	180	200	200
	LB ²⁾ [mm]	478	518	602	659/-	659/-
	AD ²⁾ [mm]	197	197	258	305/-	305/-
	AG ²⁾ [mm]	165	165	152	260/-	260/-
	LL ²⁾ [mm]	165	165	132	192/-	192/-
	P [mm]	350	350	350	400	400
	C [mm]	-	108	121	133	133
	B [mm]	-	254	279	305	305
A [mm]	-	254	279	318	318	
K [mm]	-	15	15	19	19	
Weight data	Weight NK. CI ¹⁾ [kg]	511/515	531/526	676/569	614/609	645/640
	Weight NKE. CI ¹⁾ [kg]	-/-	-/-	-/-	-/-	-/-
	Weight NB. CI [kg]	307	321	359	405/-	436/-
	Weight NBE. CI [kg]	-	-	-	-	-
	Weight diff. SS [kg]	4	3	3	3	3

1) Data of pump with standard coupling / spacer coupling.

2) Dimension of pump with IE2 range standard motor / dimension of pump with E-motor (built-in frequency converter).

3) For information about NK base frames, see section 6. *Base frames*.

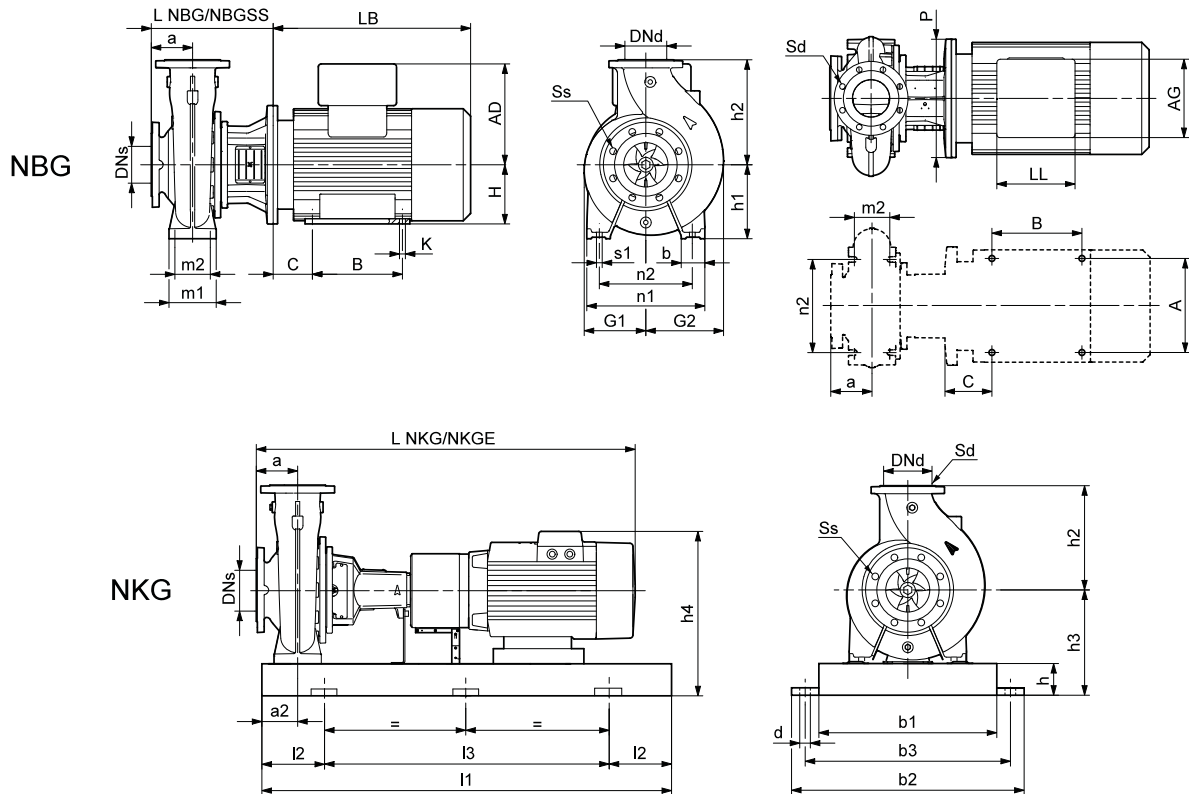
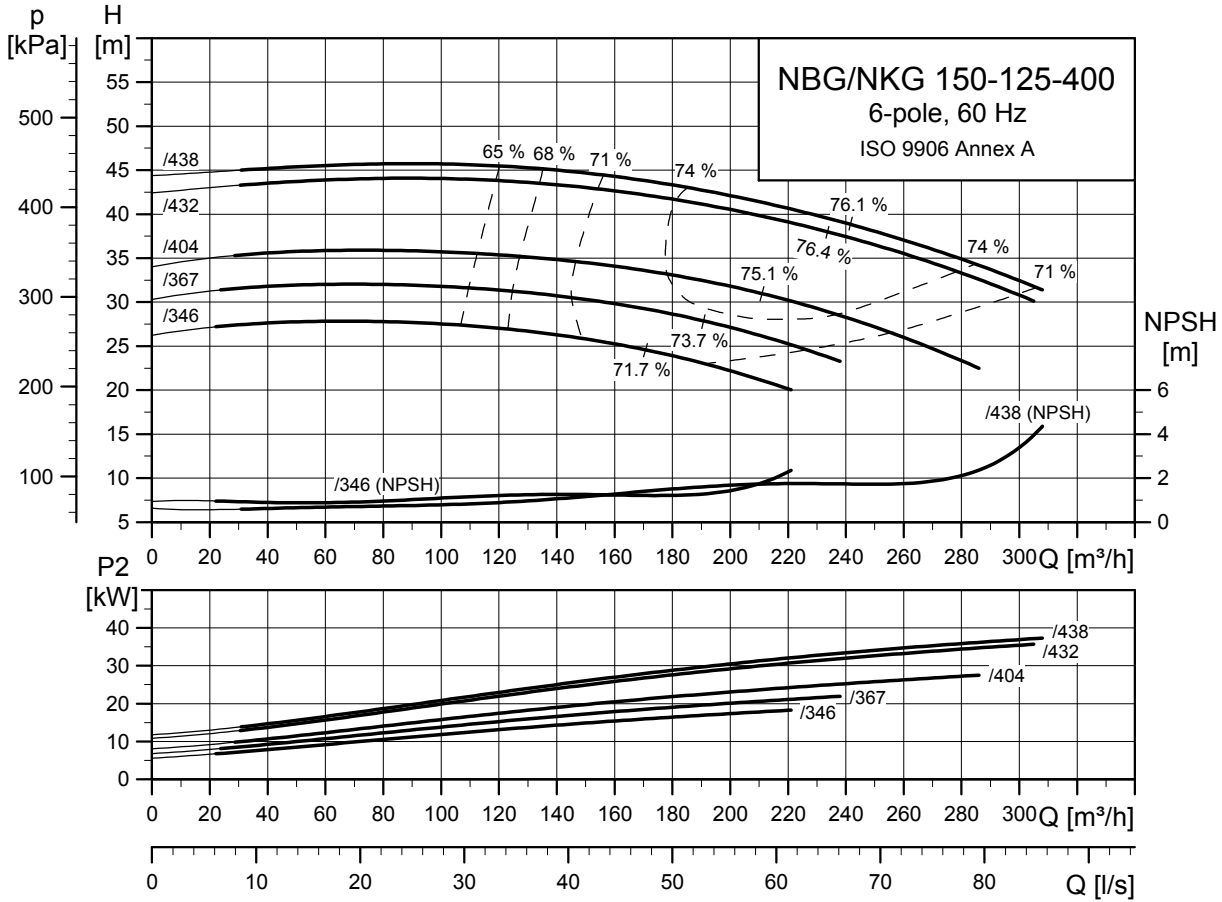
4) For information about NB designs, see NB, NBE, NK, NKE data booklet prod. no 96695638, page 33.

For number of support blocks needed, see NB, NBE, NK, NKE data booklet prod. no 96695638, page 284.

Note: For NB pumps with a motor frame size of 225 or above a base frame is available as an option.

See NB, NBE, NK, NKE data booklet prod. no 96695638, page 257.

NBG, NKG 6-pole



Information about bare-shaft pump dimensions, see page 19.

TM5 2346 4911

TM03 8010 0107

TM03 8012 0107

Pump type		150-125-400/346	150-125-400/367	150-125-400/404	150-125-400/432	150-125-400/438	
Motor type	Standard Motor	Siemens 200LA	Siemens 200LB	Siemens 225M	Siemens 250M	Siemens 280S	
	E-Motor	-	-	-	-	-	
Common data NBG/NKG	P2	[kW]	18.5	22	30	37	45
	PN	[bar]	16	16	16	16	16
	DNs	[mm]	150	150	150	150	150
	DNd	[mm]	125	125	125	125	125
	a	[mm]	140	140	140	140	140
	h2	[mm]	400	400	400	400	400
	Ss	[mm]	8 x Ø23	8 x Ø23	8 x Ø23	8 x Ø23	8 x Ø23
	Sd	[mm]	8 x Ø19	8 x Ø19	8 x Ø19	8 x Ø19	8 x Ø19
NKG data	L NKG ¹⁾	[mm]	1443/1579	1443/1579	1523/1659	1561/1697	1634/1770
	L NKGE ¹⁾	[mm]	-/-	-/-	-/-	-/-	-/-
	l1	[mm]	1800	1800	1800	1800	2000
	l2	[mm]	300	300	300	300	330
	l3	[mm]	1200	1200	1200	1200	1340
	b1	[mm]	600	600	600	600	750
	b2	[mm]	730	730	730	730	890
	b3	[mm]	670	670	670	670	830
	d	[mm]	28	28	28	28	28
	a2	[mm]	110	110	110	110	110
	h	[mm]	100	100	100	100	130
	h3	[mm]	415	415	415	415	445
	h4 ²⁾	[mm]	720/-	720/-	740/-	807/-	877/-
	Base frame no. ³⁾		9	9	9	9	10
NBG data	Design ⁴⁾		C	C	C	C	C
	L NBG	[mm]	411	411	441	441	441
	L NBG SS	[mm]	411	411	441	441	441
	h1	[mm]	315.1	315.1	315.1	315.1	315.1
	G1	[mm]	284	284	284	284	284
	G2	[mm]	320	320	320	320	320
	m1	[mm]	200	200	200	200	200
	m2	[mm]	150	150	150	150	150
	n1	[mm]	500	500	500	500	500
	n2	[mm]	400	400	400	400	400
	b	[mm]	100	100	100	100	100
	s1	[mm]	M20	M20	M20	M20	M20
	H	[mm]	200	200	225	250	280
	LB ²⁾	[mm]	659/-	659/-	709/-	747/-	820/-
	AD ²⁾	[mm]	305/-	305/-	325/-	392/-	432/-
	AG ²⁾	[mm]	260/-	260/-	260/-	300/-	300/-
	LL ²⁾	[mm]	192/-	192/-	192/-	236/-	236/-
	P	[mm]	400	400	450	550	550
	C	[mm]	133	133	149	168	190
	B	[mm]	305	305	311	349	368
A	[mm]	318	318	356	406	457	
K	[mm]	19	19	19	24	24	
Weight data	Weight NKG, CI ¹⁾	[kg]	636/630	667/661	785/780	916/915	1148/1142
	Weight NKGE, CI ¹⁾	[kg]	-/-	-/-	-/-	-/-	-/-
	Weight NBG, CI	[kg]	418	449	568	662	777
	Weight NBGE, CI	[kg]	-	-	-	-	-
	Weight diff. SS	[kg]	-7	-7	-7	-7	-7

1) Data of pump with standard coupling / spacer coupling.

2) Dimension of pump with IE2 range standard motor / dimension of pump with E-motor (built-in frequency converter).

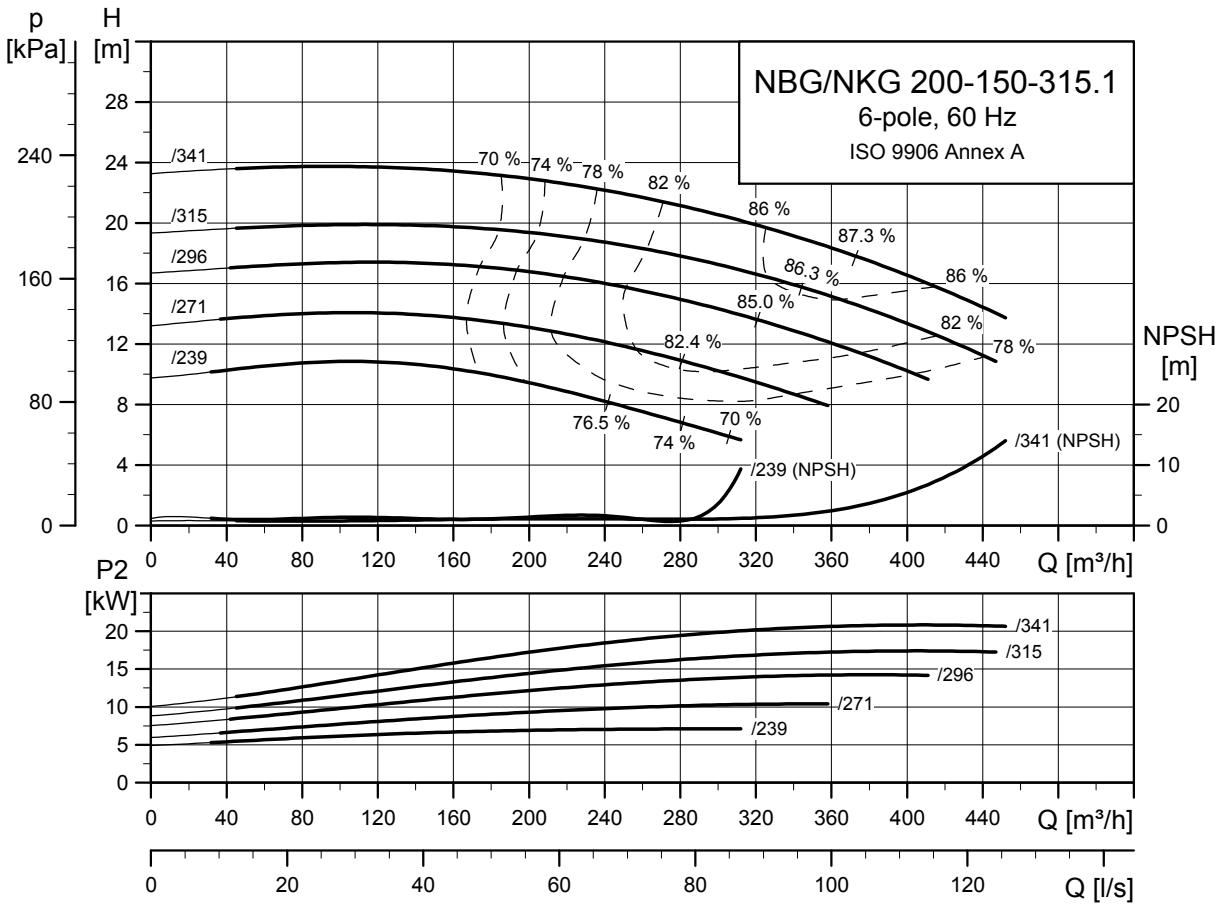
3) For information about NKG base frames, see section 6. *Base frames*.

4) For information about NBG designs, see NBG, NBGE, NKG, NKGE data booklet prod. no 96695640, page 38.

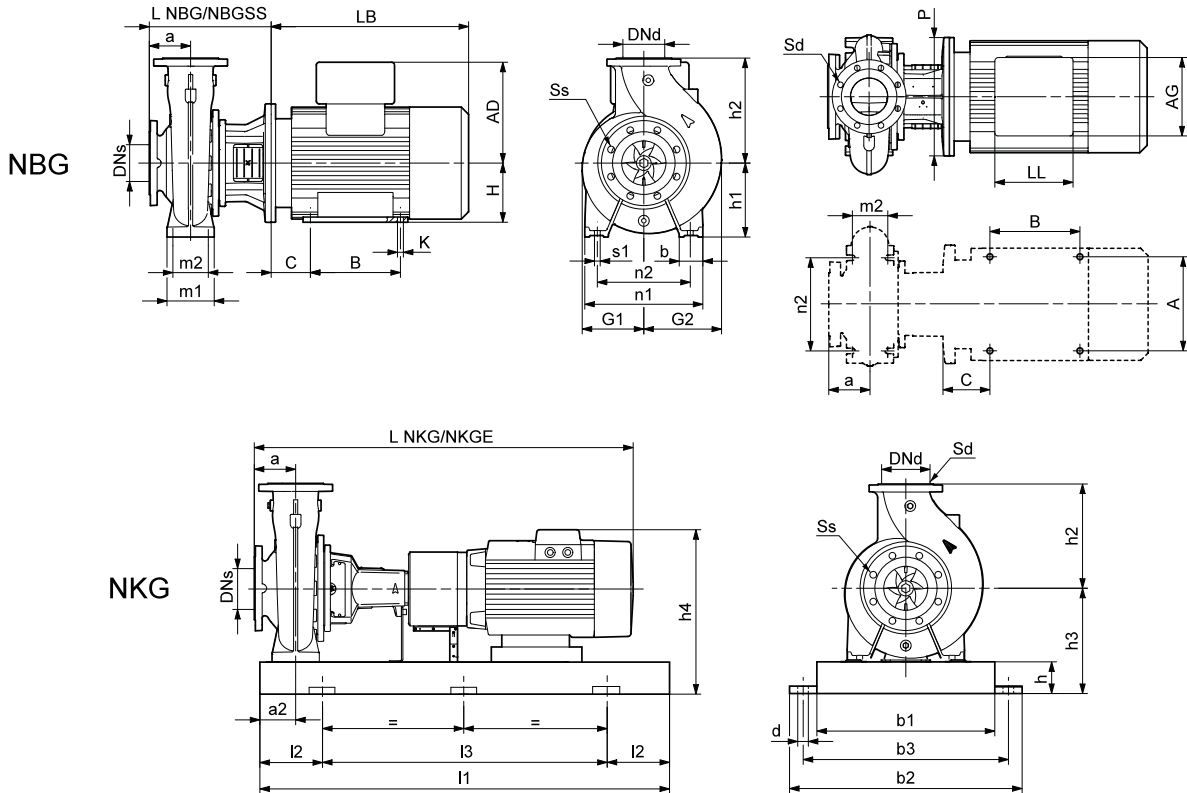
For number of support blocks needed, see NBG, NBGE, NKG, NKGE data booklet prod. no 96695640, page 295.

Note: For NBG pumps with a motor frame size of 225 or above a base frame is available as an option.

See NBG, NBGE, NKG, NKGE data booklet prod. no 96695640, page 267.



TM05 4277 2212



TM03 8010 0107

TM03 8012 0107

Information about bare-shaft pump dimensions, see page 19.

Pump type		200-150-315.1/239	200-150-315.1/271	200-150-315.1/296	200-150-315.1/315	200-150-315.1/341	
Motor type	Standard Motor	Siemens 160M	Siemens 160L	Siemens 180L	Siemens 200LA	Siemens 200LB	
	E-Motor	-	-	-	-	-	
Common data NBG/NKG	P2	[kW]	7.5	11	15	18.5	22
	PN	[bar]	16	16	16	16	16
	DNs	[mm]	200	200	200	200	200
	DNd	[mm]	150	150	150	150	150
	a	[mm]	160	160	160	160	160
	h2	[mm]	400	400	400	400	400
	Ss	[mm]	12 x Ø23	12 x Ø23	12 x Ø23	12 x Ø23	12 x Ø23
	Sd	[mm]	8 x Ø23	8 x Ø23	8 x Ø23	8 x Ø23	8 x Ø23
NKG data	L NKG ¹⁾	[mm]	1422/1598	1462/1638	1546/1722	1603/1779	1603/1779
	L NKGE ¹⁾	[mm]	-/-	-/-	-/-	-/-	-/-
	l1	[mm]	1800	1800	1800	1800	1800
	l2	[mm]	300	300	300	300	300
	l3	[mm]	1200	1200	1200	1200	1200
	b1	[mm]	600	600	600	600	600
	b2	[mm]	730	730	730	730	730
	b3	[mm]	670	670	670	670	670
	d	[mm]	28	28	28	28	28
	a2	[mm]	110	110	110	110	110
	h	[mm]	100	100	100	100	100
	h3	[mm]	415	415	415	415	415
	h4 ²⁾	[mm]	612/-	612/-	673/-	720/-	720/-
Base frame no. ³⁾		9	9	9	9	9	
NBG data	Design ⁴⁾		C	C	C	C	C
	L NBG	[mm]	444	444	444	444	444
	L NBG SS	[mm]	444	444	444	444	444
	h1	[mm]	315	315	315	315	315
	G1	[mm]	264	264	264	264	264
	G2	[mm]	331	331	331	331	331
	m1	[mm]	200	200	200	200	200
	m2	[mm]	150	150	150	150	150
	n1	[mm]	550	550	550	550	550
	n2	[mm]	450	450	450	450	450
	b	[mm]	100	100	100	100	100
	s1	[mm]	M20	M20	M20	M20	M20
	H	[mm]	160	160	180	200	200
	LB ²⁾	[mm]	478	518	602	659/-	659/-
	AD ²⁾	[mm]	197	197	258	305/-	305/-
	AG ²⁾	[mm]	165	165	152	260/-	260/-
	LL ²⁾	[mm]	165	165	132	192/-	192/-
	P	[mm]	350	350	350	400	400
	C	[mm]	108	108	121	133	133
	B	[mm]	210	254	279	305	305
A	[mm]	254	254	279	318	318	
K	[mm]	15	15	15	19	19	
Weight data	Weight NKG, CI ¹⁾	[kg]	618/619	613/611	657/650	698/694	729/725
	Weight NKGE, CI ¹⁾	[kg]	-/-	-/-	-/-	-/-	-/-
	Weight NBG, CI	[kg]	320	333	372	415/-	446/-
	Weight NBGE, CI	[kg]	-	-	-	-	-
	Weight diff. SS	[kg]	4	3	3	3	3

1) Data of pump with standard coupling / spacer coupling.

2) Dimension of pump with IE2 range standard motor / dimension of pump with E-motor (built-in frequency converter).

3) For information about NKG base frames, see section 6. *Base frames*.

4) For information about NBG designs, see NBG, NBGE, NKG, NKGE data booklet prod. no 96695640, page 38.

For number of support blocks needed, see NBG, NBGE, NKG, NKGE data booklet prod. no 96695640, page 295.

Note: For NBG pumps with a motor frame size of 225 or above a base frame is available as an option.

See NBG, NBGE, NKG, NKGE data booklet prod. no 96695640, page 267.

6. Base frames

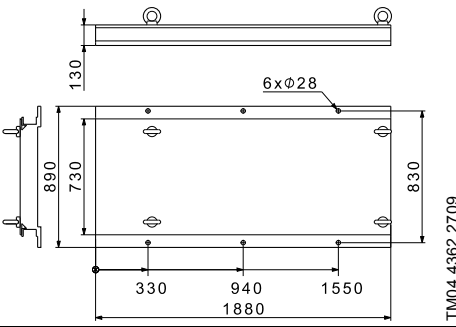
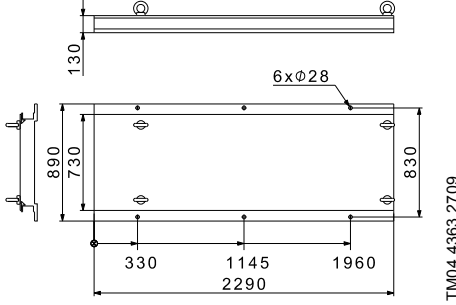
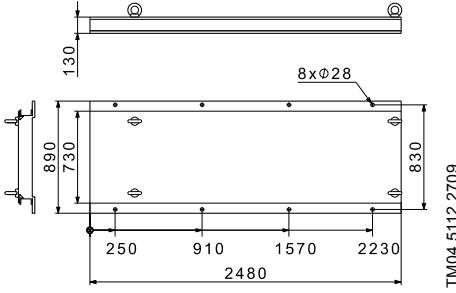
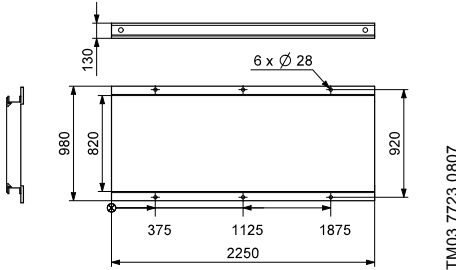
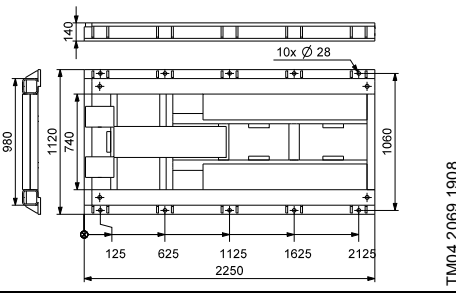
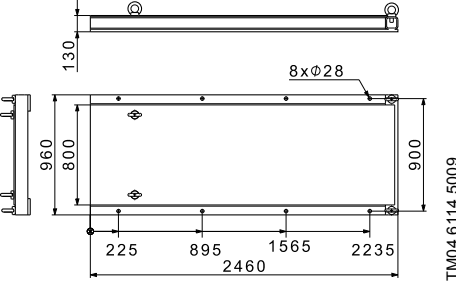
Dimensional sketches for NK, NKE, NKG, NKGE base frames

The sketches below show the base frame dimensions for NK, NKE, NKG, NKGE pumps.

The base frame number is stated for each NK, NKE, NKG, NKGE pump mentioned in section 5. *Performance curves and technical data.*

Base frame number	Dimensions
2	<p>TM03 7714 4806</p>
3	<p>TM03 7715 4806</p>
4	<p>TM03 7716 4806</p>
5	<p>TM03 7717 4806</p>
6	<p>TM03 7718 4806</p>

Base frame number	Dimensions
7	<p>TM03 7719 4806</p>
8	<p>TM03 7720 4806</p>
9	<p>TM03 7721 4806</p>
10	<p>TM03 7722 0807</p>
10D	<p>TM04 4166 5109</p>
10E	<p>TM04 4167 5109</p>

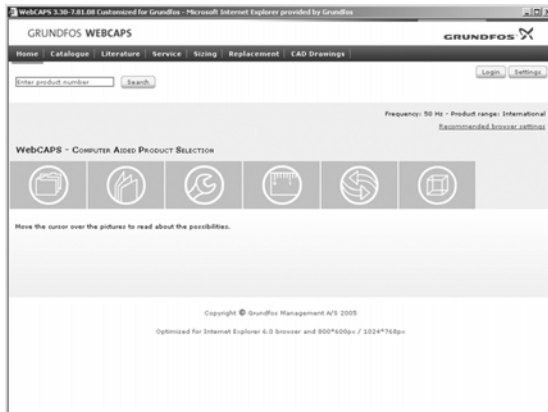
Base frame number	Dimensions
10F	
10G	
10H	
11	
11 (grout)	
12A	

NB base frames

Some NB pumps are available with base frames as an option. These must be configured as part of the pump.

7. Further product documentation

WebCAPS

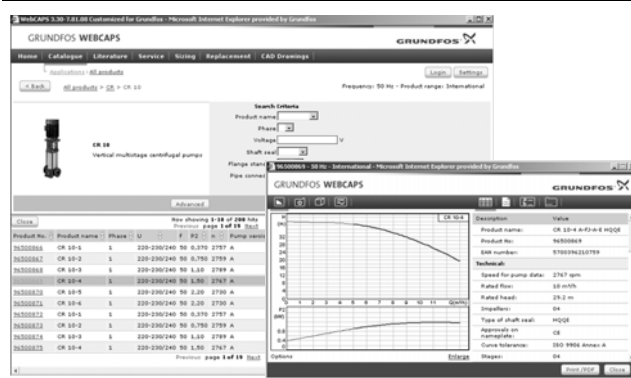


WebCAPS is a **Web**-based **Computer Aided Product Selection** program available on www.grundfos.com.

WebCAPS contains detailed information on more than 220,000 Grundfos products in more than 30 languages.

Information in WebCAPS is divided into six sections:

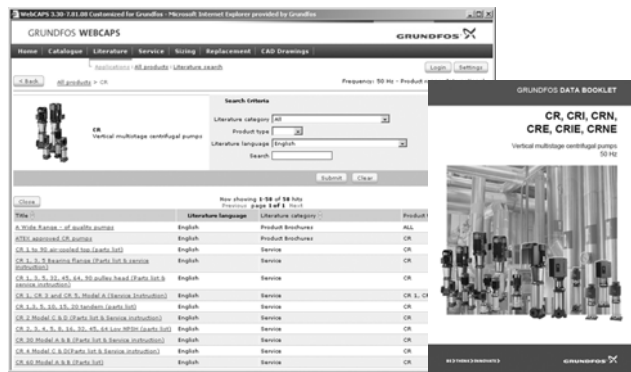
- Catalogue
- Literature
- Service
- Sizing
- Replacement
- CAD drawings.



Catalogue

Based on fields of application and pump types, this section contains the following:

- technical data
- curves (QH, Eta, P1, P2, etc.) which can be adapted to the density and viscosity of the pumped liquid and show the number of pumps in operation
- product photos
- dimensional drawings
- wiring diagrams
- quotation texts, etc.



Literature

This section contains all the latest documents of a given pump, such as

- data booklets
- installation and operating instructions
- service documentation, such as Service kit catalogue and Service kit instructions
- quick guides
- product brochures.



Service

This section contains an easy-to-use interactive service catalogue. Here you can find and identify service parts of both existing and discontinued Grundfos pumps.

Furthermore, the section contains service videos showing you how to replace service parts.



Sizing

This section is based on different fields of application and installation examples and gives easy step-by-step instructions in how to size a product:

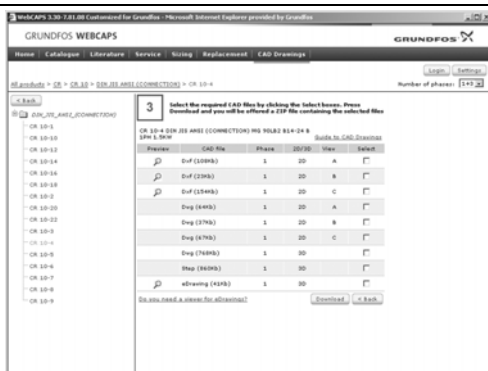
- Select the most suitable and efficient pump for your installation.
- Carry out advanced calculations based on energy, consumption, payback periods, load profiles, life cycle costs, etc.
- Analyse your selected pump via the built-in life cycle cost tool.
- Determine the flow velocity in wastewater applications, etc.



Replacement

In this section you find a guide to selecting and comparing replacement data of an installed pump in order to replace the pump with a more efficient Grundfos pump. The section contains replacement data of a wide range of pumps produced by other manufacturers than Grundfos.

Based on an easy step-by-step guide, you can compare Grundfos pumps with the one you have installed on your site. When you have specified the installed pump, the guide will suggest a number of Grundfos pumps which can improve both comfort and efficiency.



CAD drawings

In this section, it is possible to download 2-dimensional (2D) and 3-dimensional (3D) CAD drawings of most Grundfos pumps.

These formats are available in WebCAPS:

- 2-dimensional drawings:
- .dxf, wireframe drawings
 - .dwg, wireframe drawings.
- 3-dimensional drawings:
- .dwg, wireframe drawings (without surfaces)
 - .stp, solid drawings (with surfaces)
 - .eprt, E-drawings.



WinCAPS



Fig. 1 WinCAPS DVD

WinCAPS is a **Windows-based Computer Aided Product Selection** program containing detailed information on more than 220,000 Grundfos products in more than 30 languages.

The program contains the same features and functions as WebCAPS, but is an ideal solution if no internet connection is available.

WinCAPS is available on DVD and updated once a year.

Subject to alterations.

98255748 0812

ECM: 1098007

The name Grundfos, the Grundfos logo, and the payoff Be–Think–Innovate are registered trademarks owned by Grundfos Management A/S or Grundfos A/S, Denmark. All rights reserved worldwide.