

LAKER



Ala Wall Hook 70

Product Data Sheet

Ala Wall Hook 70mm

WHook70-B

WHook70-A

WHook70-BLK



Description

The Ala wall hook is a characterful, contemporary hook. Carefully proportioned with concealed fixings, Ala works in a variety of settings. Available in two size variants and three distinct finishes. Brass, Black Brass and Aluminium.

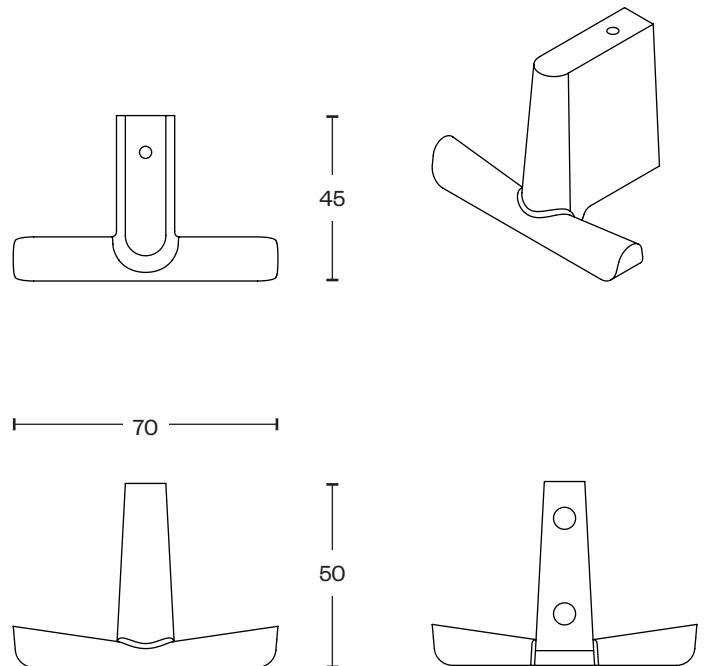
Design : David Caon & Henry Wilson 2022

Dimensions

Width 70mm | 2.8"

Depth 45mm | 1.8"

Height 50mm | 2"



Construction

Ala is sand cast in aluminium or brass and then rumble-finished. The finished product is unsealed.

Imperfections in the surfaces caused by the manufacturing process are to be expected and inherent in the visual language of this object. No two are exactly alike.

Country of Origin

China

Production Lead Time

If not in stock, production lead time is 8 weeks.

Warranty

The aluminium in its unsealed state is a living material. Ala will oxidise with age and environment, effecting a natural patina. Allow its evolution, or restore the original finish with a polishing solution. We recommend Brasso or Silvo, and a soft polishing cloth.

Materials

Aluminium

Brass

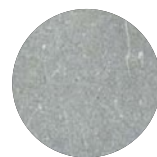
Blackened brass

Colour and Finish

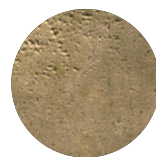
Raw rumbled aluminium

Raw rumbled brass

Blackened raw rumbled brass



Aluminium



Brass



Blackened
Brass

LAKER



Ala Wall Hook 70

Product Data Sheet

LAKER

For enquiries, please visit us at

www.laker.studio
info@laker.studio
laker.studio