

DS-2CD7585G0-IZ(H)S 8 MP IR Varifocal Dome Network Camera



DeepinView^{series}

- 1/1.8" Progressive Scan CMOS
- 3840 × 2160 @ 30fps
- MJPEG up to 1920 × 1080 @ 30fps
- 2.8 to 12 mm/8 to 32 mm motorized lens
- Color: 0.007 Lux @ (F1.2, AGC ON), 0.016 Lux @ (F1.8, AGC ON), 0 Lux with IR
- H.265, H.265+, H.264, H.264+
- 120dB WDR
- 2.8 to 12 mm lens: IR range up to 30 m, 8 to 32 mm lens: IR range up to 50 m
- Alarm 1 input/1 output, audio 1 input/1 output
- Anti-IR Reflection
- IP67, IK10
- 5 streams and up to 5 custom streams
- 6 behavior analyses, 3 exception detection, and face detection
- Built-in microSD/SDHC/SDXC card slot, up to 256 GB
- Metadata of intrusion detection, line crossing detection, region entrance detection, region exiting detection, unattended baggage detection, object removal, face capture and queue management are supported.



Function

Smooth Streaming

Smooth streaming offers solutions to improve the video quality in different network conditions. For example, in poor network conditions, adapting to the detected real-time network condition, streaming bit rate and resolution are automatically adjusted to avoid mosaic and lower latency in live view; in multiplayer network conditions, the camera transmits the redundant data for the self-error correcting in back-end device, so that to solve the mosaic problem because of the packet loss and error rate.

Metadata

Metadata uses individual instances of application data or the data content. Metadata can be used for third-party application development.

Face Capture

With embedded deep learning based algorithms, the camera is able to give the best shot of a target face through detecting, tracking, capturing, grading and selecting. The procedure reduces the happening of mistaken capture, and thus gets the best face shot, improving the accuracy rate of face comparison by the back-end devices. The camera uses face exposure function to dynamically adjust face area exposure of captures and ensure high face picture quality.

Perimeter Protection

With embedded deep learning based target detection and classification algorithms, the camera carries out the duty of perimeter protection, monitoring the actions of line crossing, intrusion, region entrance and region exiting. The algorithms greatly reduce the mistaken alarm caused by the interference of leaves, lights and etc.

Power Protection

The camera supports a wide voltage range of 10 VDC to 48 VDC. If the voltage instability occurs, the camera still works properly. The camera supports reverse polarity protection which can avoid the camera malfunction caused by false operation.

Anti-Reflection Bubble

This anti-reflection bubble design avoids the IR reflection of the raindrop and dust on the bubble and improves the image quality.

Queue Management

With embedded deep learning based algorithms, the camera detects queuing-up people number and waiting time of each person. The body feature detection algorithm helps filter out wrong targets and increase the accuracy of detection.

Specifications

| Camera | |
|-------------------|---|
| Image Sensor | 1/1.8" Progressive Scan CMOS |
| Min. Illumination | Color: 0.007 Lux @ (F1.2, AGC ON), 0.016 Lux @ (F1.8, AGC ON), 0 Lux with IR |
| Shutter Speed | 1 s to 1/100,000 s |
| Slow Shutter | Yes |
| Day & Night | IR Cut Filter. |
| WDR | 120 dB |
| Angle Adjustment | Pan: 0° to 355°, tilt: 0° to 75°, rotate: 0° to 355° |
| Lens | |
| Lens Type | Motorized lens, 2.8 to 12 mm and 8 to 32 mm optional |
| Aperture | 2.8 to 12 mm: F1.2 to 2.5 8 to 32 mm: F1.8, Constant F1.8 throughout the zoom range |
| Focus | Auto, semi-auto, manual |
| Auto-Iris | P-iris |
| FOV | 2.8 to 12 mm, horizontal FOV 112.4° to 41°, vertical FOV 58° to 23°, diagonal FOV 137° to 47° 8 to 32 mm, horizontal FOV 39° to 15.6°, vertical FOV 21.8° to 8.9°, diagonal FOV 45° to 17.8° |
| Lens Mount | Integrated |
| Illuminator | |
| IR Range | 2.8 to 12 mm: up to 30 m; 8 to 32 mm: up to 50 m |
| Wavelength | 850 nm |
| Video | |
| Max. Resolution | 3840 × 2160 |
| Video Stream | 5 defined streams and up to 5 custom stream |
| Main Stream | 50Hz: 25fps (3840 × 2160, 3200 × 1800, 2560 × 1440, 1920 × 1080, 1280 × 720) 60Hz: 30fps (3840 × 2160, 3200 × 1800, 2560 × 1440, 1920 × 1080, 1280 × 720) |
| Sub Stream | 50Hz: 25fps (704 × 576, 640 × 480) 60Hz: 30fps (704 × 480, 640 × 480) |
| Third Stream | 50Hz: 25fps (1920 × 1080, 1280 × 720, 704 × 576, 640 × 480) 60Hz: 30fps (1920 × 1080, 1280 × 720, 704 × 480, 640 × 480) |
| Fourth Stream | 50Hz: 25fps (1920 × 1080, 1280 × 720, 704 × 576, 640 × 480) 60Hz: 30fps (1920 × 1080, 1280 × 720, 704 × 480, 640 × 480) |
| Fifth Stream | 50Hz: 25fps (704 × 576, 640 × 480) 60Hz: 30fps (704 × 480, 640 × 480) |
| Custom Stream | 50Hz: 25fps (1920 × 1080, 1280 × 720, 704 × 576, 640 × 480) 60Hz: 30fps (1920 × 1080, 1280 × 720, 704 × 480, 640 × 480) |
| Video Compression | Main stream: H.265+/H.265/H.264+/H.264 Sub stream/third stream/fourth stream/fifth stream/custom stream: H.265/H.264/MJPEG |

| | |
|-----------------------------|--|
| H.264 Type | Baseline Profile/Main Profile/High Profile |
| H.264+ | Main stream support |
| H.265 Type | Main Profile |
| H.265+ | Main stream supports |
| Video Bit Rate | 32 Kbps to 16 Mbps |
| Scalable Video Coding (SVC) | H.264 and H.265 encoding |
| Audio | |
| Audio Compression | G.711/G.722.1/G.726/MP2L2/PCM/MP3 |
| Audio Bit Rate | 64Kbps(G.711)/16Kbps(G.722.1)/16Kbps(G.726)/32-192Kbps(MP2L2)/32Kbps(PCM)/8-320Kbps(MP3) |
| Environment Noise Filtering | Yes |
| Audio Sampling Rate | 8 kHz/16 kHz/32 kHz/44.1 kHz/48 kHz |
| Smart Feature-Set | |
| Smart Event | Line crossing detection, up to 4 lines configurable Intrusion detection, up to 4 regions configurable Region entrance detection, up to 4 regions configurable Region exiting detection, up to 4 regions configurable Unattended baggage detection, up to 4 regions configurable Object removal detection, up to 4 regions configurable Face detection: detects faces and upload images Scene change detection, audio exception detection, defocus detection |
| Basic Event | Motion detection, video tampering alarm, exception (network disconnected, IP address conflict, illegal login, HDD full, HDD error) |
| Face Capture | Face detection performance: detects up to 30 faces at the same time Detectable face position: supports swing left and right from -90° to 90°, tilt up and down from -30° to 60° |
| Perimeter Protection | Line crossing, intrusion, region entrance, region exiting Support alarm triggering by specified target types (human and vehicle) Filtering out false alarm caused by target types such as leaf, light, animal, and flag, etc. |
| Queue Management | Detects queuing-up people number, and waiting time of each person Generates reports to compare the efficiency of different queuing-ups and display the changing status of one queue Supports raw data export for further analysis |
| Statistics | Counting |
| Linkage Method | Trigger recording: memory card, network storage, pre-record and post-record Trigger captured pictures uploading: FTP, SFTP, HTTP, NAS, Email Trigger notification: HTTP, ISAPI, alarm output (-S), Email |
| Region of Interest | Main stream/sub stream/third stream/fourth stream/fifth stream: 4 fixed region for each stream and dynamic face tracking |
| Image | |
| Image Enhancement | BLC, HLC, 3D DNR, Defog, EIS, distortion correction |
| Image Setting | Rotate mode, saturation, brightness, contrast, sharpness, AGC, and white balance are adjustable by client software or web browser |

| | |
|----------------------------------|--|
| Target Cropping | Yes |
| Day/Night Switch | Day/Night/Auto/Schedule/Triggered by Alarm In |
| Picture Overlay | LOGO picture can be overlaid on video with 128 × 128 24bit bmp format |
| SNR | ≥52dB |
| Network | |
| Network Storage | microSD/SDHC/SDXC card (256 GB), local storage and NAS (NFS,SMB/CIFS), ANR Together with high-end Hikvision memory card, memory card encryption and health detection are supported. |
| Protocols | TCP/IP, ICMP, HTTP, HTTPS, FTP, SFTP, DHCP, DNS, DDNS, RTP, RTSP, RTCP, PPPoE, NTP, UPnP, SMTP, SNMP, IGMP, 802.1X, QoS, IPv6, UDP, Bonjour, SSL/TLS |
| API | ONVIF (PROFILE S, PROFILE G, PROFILE T), ISAPI, SDK, Ehome |
| Smooth Streaming | Yes |
| Security | Password protection, complicated password, HTTPS encryption, 802.1X authentication (EAP-TLS, EAP-LEAP, EAP-MD5), watermark, IP address filter, basic and digest authentication for HTTP/HTTPS, WSSE and digest authentication for ONVIF, RTP/RTSP over HTTPS, control timeout settings, security audit log, TLS 1.2, TLS1.0, TLS1.1 |
| Simultaneous Live View | Up to 20 channels |
| User/Host | Up to 32 users. 3 user levels: administrator, operator and user |
| Client | iVMS-4200, Hik-Connect, Hik-Central |
| Web Browser | Plug-in required live view: IE8+ Plug-in free live view: Chrome 57.0+, Firefox 52.0+, Safari 11+ Local service: Chrome57.0+, Firefox52.0+ |
| Interface | |
| Audio | 1-ch 3.5 mm input (line in), 1-ch 3.5 mm output (line out), mono |
| Communication Interface | 1 RJ45 10M/100M/1000M Ethernet port |
| Alarm | 1 input, 1 output (max. 24 VDC/VAC, 1A) |
| Video Output | 1Vp-p composite output (75 Ω/CVBS), only for adjustment |
| Power Output | 12 VDC, max. 100 mA |
| Interface Style | Connector panel |
| On-board storage | Built-in micro SD/SDHC/SDXC slot, up to 256 GB |
| General | |
| Firmware Version | 5.6.0 |
| Web Client Language | 32 languages English, Russian, Estonian, Bulgarian, Hungarian, Greek, German, Italian, Czech, Slovak, French, Polish, Dutch, Portuguese, Spanish, Romanian, Danish, Swedish, Norwegian, Finnish, Croatian, Slovenian, Serbian, Turkish, Korean, Traditional Chinese, Thai, Vietnamese, Japanese, Latvian, Lithuanian, Portuguese (Brazil) |
| General Function | Anti-flicker, 5 streams and up to 5 custom streams, heartbeat, mirror, privacy masks, flash log, password reset via e-mail, pixel counter, HTTP listening |
| Reset | Reset via reset button on camera body, web browser and client software |
| Startup and Operating Conditions | -IZS: -30 °C to 60 °C (-22 °F to 140 °F), humidity 95% or less (non-condensing) -IZHS: -40 °C to 60 °C (-40 °F to 140 °F), humidity 95% or less (non-condensing) |
| Storage Conditions | -30 °C to 60 °C (-22 °F to 140 °F), humidity 95% or less (non-condensing) |

| | |
|-------------------------------|--|
| Power Supply | 12 VDC is recommended, 10 to 48 VDC; reverse polarity protection; two-core terminal block; PoE (802.3at, class 4) |
| Power Consumption and Current | <p>-IZS: With extra load: 12 VDC, 1.1 A, max. 12 W; PoE (802.3at, 42.5 V to 57 V), 0.3 A to 0.2 A, class 4 Without extra load: 12 VDC, 0.95 A, max. 10 W; PoE (802.3at, 42.5 V to 57 V), 0.3 A to 0.2 A, class 4</p> <p>-IZHS: With extra load: 12 VDC, 1.4 A, max. 17 W; PoE (802.3at, 42.5 V to 57 V), 0.4 A to 0.3 A, class 4 Without extra load: 12 VDC, 1.2 A, max. 15 W; PoE (802.3at, 42.5 V to 57 V), 0.4 A to 0.3 A, class 4 "with extra load" means that an extra device is connected to and powered by the camera.</p> |
| Heater | -H: yes |
| Material | Metal |
| Dimensions | Camera: $\Phi 162 \times 140.3$ mm ($\Phi 6.4'' \times 5.5''$) With package: $251 \times 215 \times 189$ mm ($9.9'' \times 8.5'' \times 7.4''$) |
| Weight | Camera: 1450 g (3.2 lb.) With package: 1950 g (4.3 lb.) |
| Approval | |
| EMC | 47 CFR Part 15, Subpart B; EN 55032: 2015, EN 61000-3-2: 2014, EN 61000-3-3: 2013, EN 50130-4: 2011 +A1: 2014; AS/NZS CISPR 32: 2015; ICES-003: Issue 6, 2016; KN 32: 2015, KN 35: 2015 |
| Safety | UL 60950-1, IEC 60950-1:2005 + Am 1:2009 + Am 2:2013, EN 60950-1:2005 + Am 1:2009 + Am 2:2013, IS 13252(Part 1):2010+A1:2013+A2:2015 |
| Chemistry | 2011/65/EU, 2012/19/EU, Regulation (EC) No 1907/2006 |
| Protection | Ingress protection: IK10 (IEC 62262:2002), IP67 (IEC 60529-2013) |

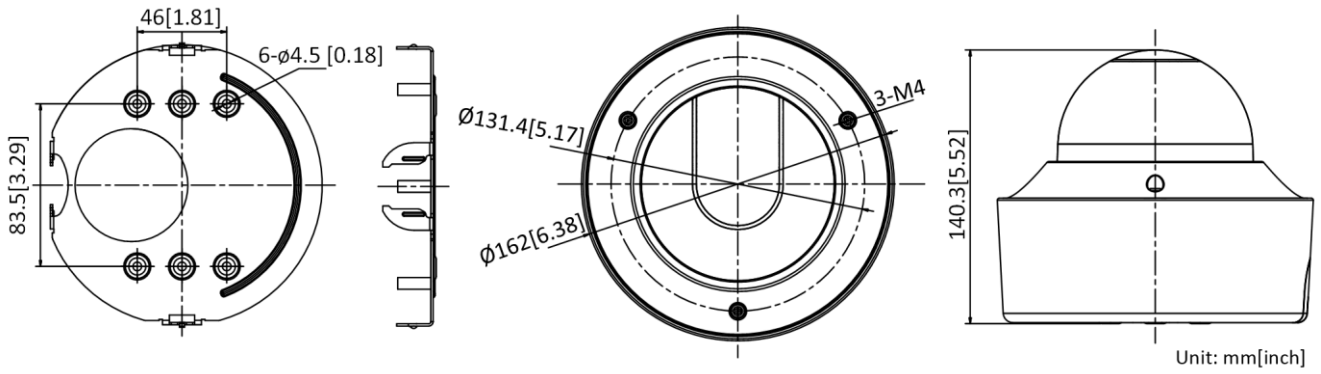
* Listed resolutions are only selectable options. It does not mean that all streams can work at their maximum resolution at the same time.

Available Model

DS-2CD7585G0-IZS (2.8 to 12 mm), DS-2CD7585G0-IZHS (2.8 to 12 mm), DS-2CD7585G0-IZS (2.8 to 12 mm), DS-2CD7585G0-IZHS (2.8 to 12 mm)

* -H: Heater supported.

Dimension



Accessory



DS-1475ZJ-SUS
Vertical Pole Mount



DS-1476ZJ-SUS
Corner Mount



DS-1471ZJ-155
Pendant Mount



DS-1473ZJ-155
Wall Mount



DS-1227ZJ-DM42
In-Ceiling Mount

Distributed by

**HIKVISION®****Headquarters**

No.555 Qianmo Road, Binjiang District,
Hangzhou 310051, China
T +86-571-8807-5998
overseasbusiness@hikvision.com

Hikvision USA
T +1-909-895-0400
sales.usa@hikvision.com

Hikvision Australia
T +61-2-8599-4233
salesau@hikvision.com

Hikvision India
T +91-22-28469900
sales@pramahikvision.com

Hikvision Canada
T +1-866-200-6690
sales.canada@hikvision.com

Hikvision Thailand
T +662-275-9949
sales.thailand@hikvision.com

Hikvision Europe
T +31-23-5542770
sales.eu@hikvision.com

Hikvision Italy
T +39-0438-6902
info.it@hikvision.com

Hikvision Brazil
T +55 11 3318-0050
Latam.support@hikvision.com

Hikvision Turkey
T +90 (216)521 7070- 7074
sales.tr@hikvision.com

Hikvision Malaysia
T +601-7652-2413
sales.my@hikvision.com

Hikvision UK & Ireland
T +01628-902140
sales.uk@hikvision.com

Hikvision South Africa
Tel: +27 (10) 0351172
sale.africa@hikvision.com

Hikvision France
T +33(0)1-85-330-450
info.fr@hikvision.com

Hikvision Kazakhstan
T +7-727-9730667
nikia.panfilov@hikvision.ru

Hikvision Vietnam
T +84-974270888
sales.vt@hikvision.com

Hikvision UAE
T +971-4-4432090
salesme@hikvision.com

Hikvision Singapore
T +65-6684-4718
sg@hikvision.com

Hikvision Spain
T +34-91-737-16-55
info.es@hikvision.com

Hikvision Tashkent
T +99-87-1238-9438
uzb@hikvision.ru

Hikvision Hong Kong
T +852-2151-1761
info.hk@hikvision.com

Hikvision Russia
T +7-495-669-67-99
saleru@hikvision.com

Hikvision Korea
T +82-(0)31-731-8817
sales.korea@hikvision.com

Hikvision Poland
T +48-22-460-01-50
info.pl@hikvision.com

Hikvision Indonesia
T +62-21-2933759
Sales.Indonesia@hikvision.com

Hikvision Colombia
sales.colombia@hikvision.com