

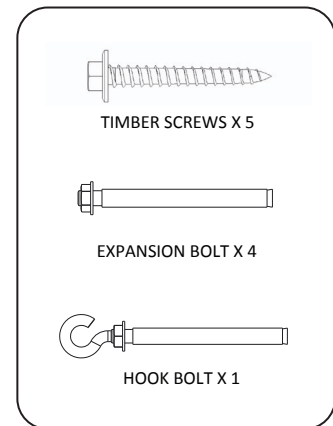
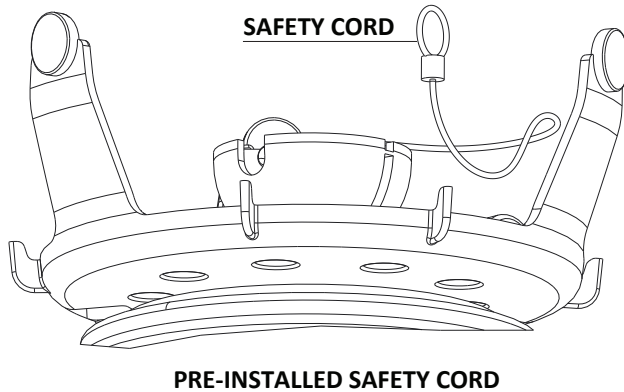
# AERATRON

## Safety Cord Instruction



**IMPORTANT** - Use this Safety Cord Instruction in combination with the Aeratron User Manual by Inserting at **Step 1** of the User Manual supplied with the Fan.

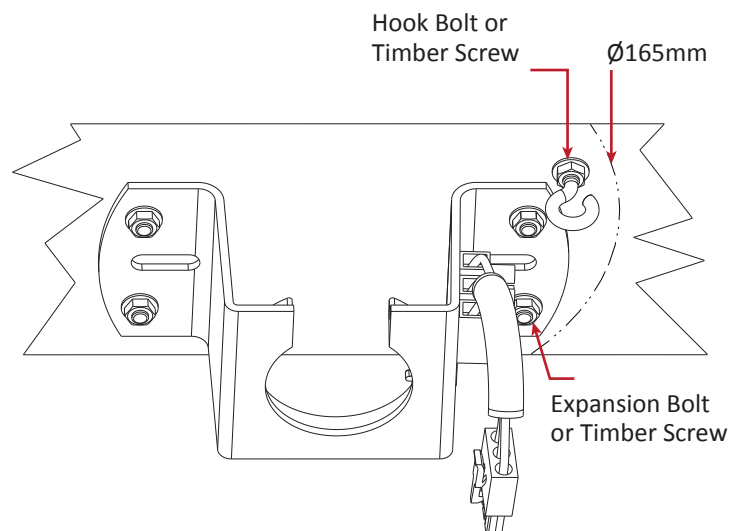
Unpack your Fan and examine the **Safety Cord** parts as shown below:



### STEP 1

## Mounting the Metal Hanger Bracket

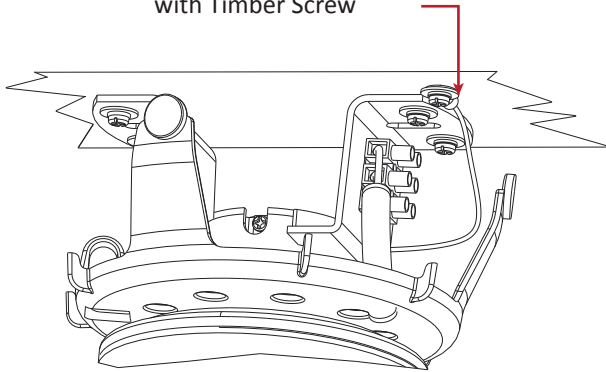
Install the Metal Hanger Bracket using a minimum of four (4) Bolts/Screws and mount the hook bolt/Timber Screw within the motor housing opening approx.  $\text{\O}165\text{mm}$  from the centre of the hanger bracket.



## STEP 2

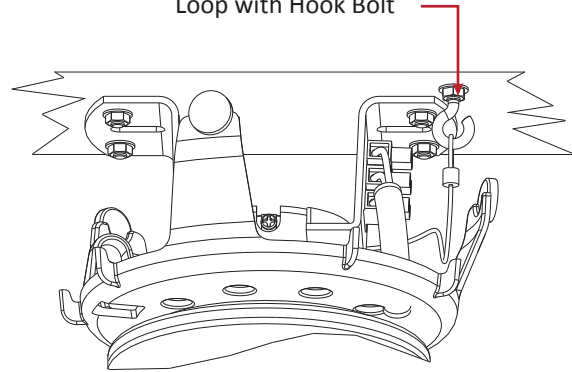
## Secure the Safety Cord

Secure Safety Cord Loop with Timber Screw



**Wooden Ceiling (use Timber Screws)**

Secure Safety Cord Loop with Hook Bolt



**Concrete Ceiling (use Expansion Bolts)**

Locate Suspension Ball in Hanger Bracket and secure the (loop) of the Safety cord to the hook expansion bolt or secure the Safety cord loop to the Ceiling with the Timber Screw.

Ensure the safety cord is not stretched otherwise it will hinder the receiver sliding through the hanger bracket.



**IMPORTANT** – Continue at STEP 5 (Connecting the Receiver) of the User Manual supplied with the Fan to complete the installation.



**IMPORTANT** – Aeratron strongly recommends that the fan suspension system is examined regularly, at least ones in every two years.

Thank you. Your Aeratron team.

**AERATRON**