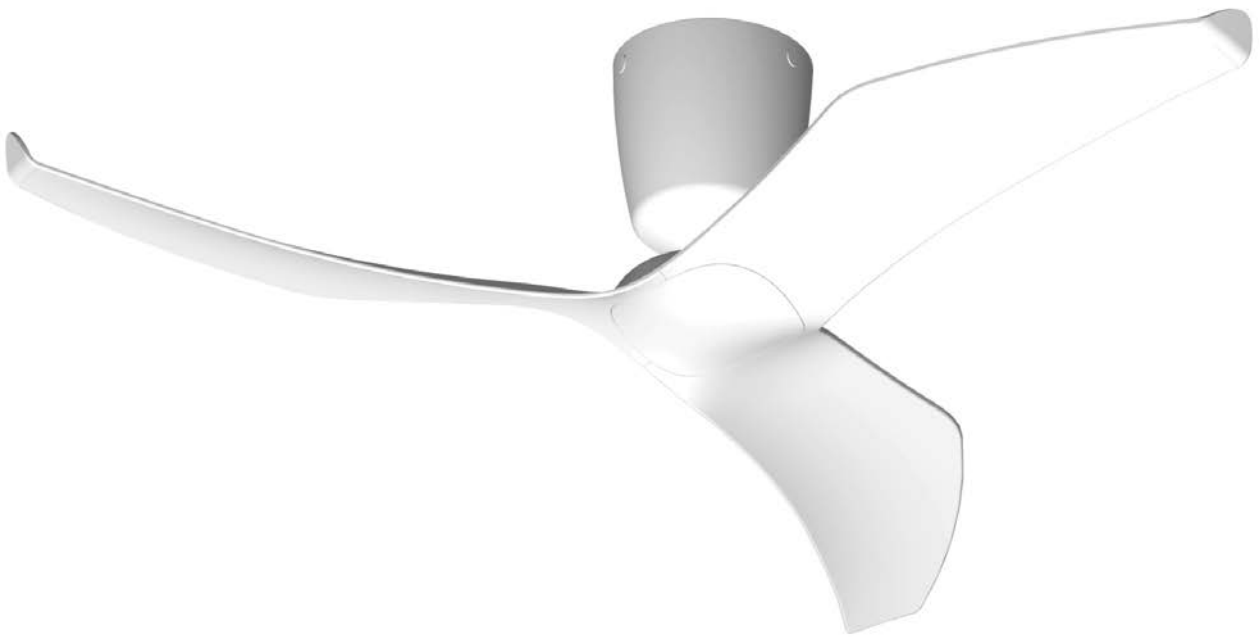


# AERATRON

## USER MANUAL & INSTALLATION GUIDE



### FR3 CEILING FAN

available in: **43"/1092mm** **50"/1270mm** **60"/1524mm**

LED Light Kit & Ceiling Extension Kit are optional for all Aeratron™ models

#### ATTENTION ELECTRICIANS

An isolation switch per fan is highly recommended.

**WARNING:** If unusual oscillating movement is observed, immediately stop using the ceiling fan and contact the national distributor/retailer.

## Important information - Please read before attempting installation



This fan must be installed by a licensed and qualified electrician according to local authority regulations.

1. Please read these instructions carefully, be mindful of all warnings and safety information shown throughout this manual. Should you have any questions please call your local agent.
2. Please review the accompanying assembly diagrams before attempting installation.
3. This fan MUST be installed by a licensed & qualified electrician according to local authority regulations and in accordance with current wiring rules of the country/state.
4. A copy of the purchasing receipt and proof of installation by a licensed and qualified electrician according to local authority regulations is required for all warranty claims.
5. Where special access equipment is required to service the fan in accordance with local authority regulations all associated costs are the responsibility of the owner.
6. Should a warranty claim be required, we reserve the right to charge a service fee for all call outs where the fan is found not to be defective and / or where access is not provided.
7. To enable future programming, maintenance, cleaning and troubleshooting an isolation switch per fan is highly recommended. Without an isolation switch per fan, an electrician maybe required to assist with programming, maintenance, cleaning and troubleshooting. All associated costs are the responsibility of the owner.
8. A Maximum of 8 fans on each RCD / circuit is recommended. The fans are a Class 5 Device with leakage to Earth.
9. Your warranty will be void if a solid state dimmer or any other brand of wall controller is used.
10. The means for mains power disconnection must be incorporated in the fixed wiring in accordance with national wiring rules.
11. To avoid possible electric shock during installation, be sure electricity is turned off at the main power box before commencing work. Disconnect power by removing fuse or turning off circuit breaker before installing the fan. Ensure all spliced connections are adequately insulated.
12. Warning! Do not allow the rotating fan blades to come into contact with any object, this can cause serious injury or death.
13. Damage caused by incorrect installation, Force-majeure, lightning, electrical surges & spikes, exposure to water, pests or moisture is not covered under warranty.
14. This appliance is not intended for use by persons (including children) with reduced physical, sensory or mental capabilities, or lack of experience and knowledge, unless they have been given supervision or instruction concerning use of the appliance by a person responsible for their safety.

**Australia, New Zealand:** In accordance with AS/NZS60355-1 & AS/NZS60355-2-80: "This appliance is not intended for use by persons (including children) with reduced physical, sensory or mental capabilities, or lack of experience and knowledge, unless they have been given supervision or instruction concerning use of the appliance by a person responsible for their safety. Children should be supervised to ensure that they do not play with the appliance."

# Contents

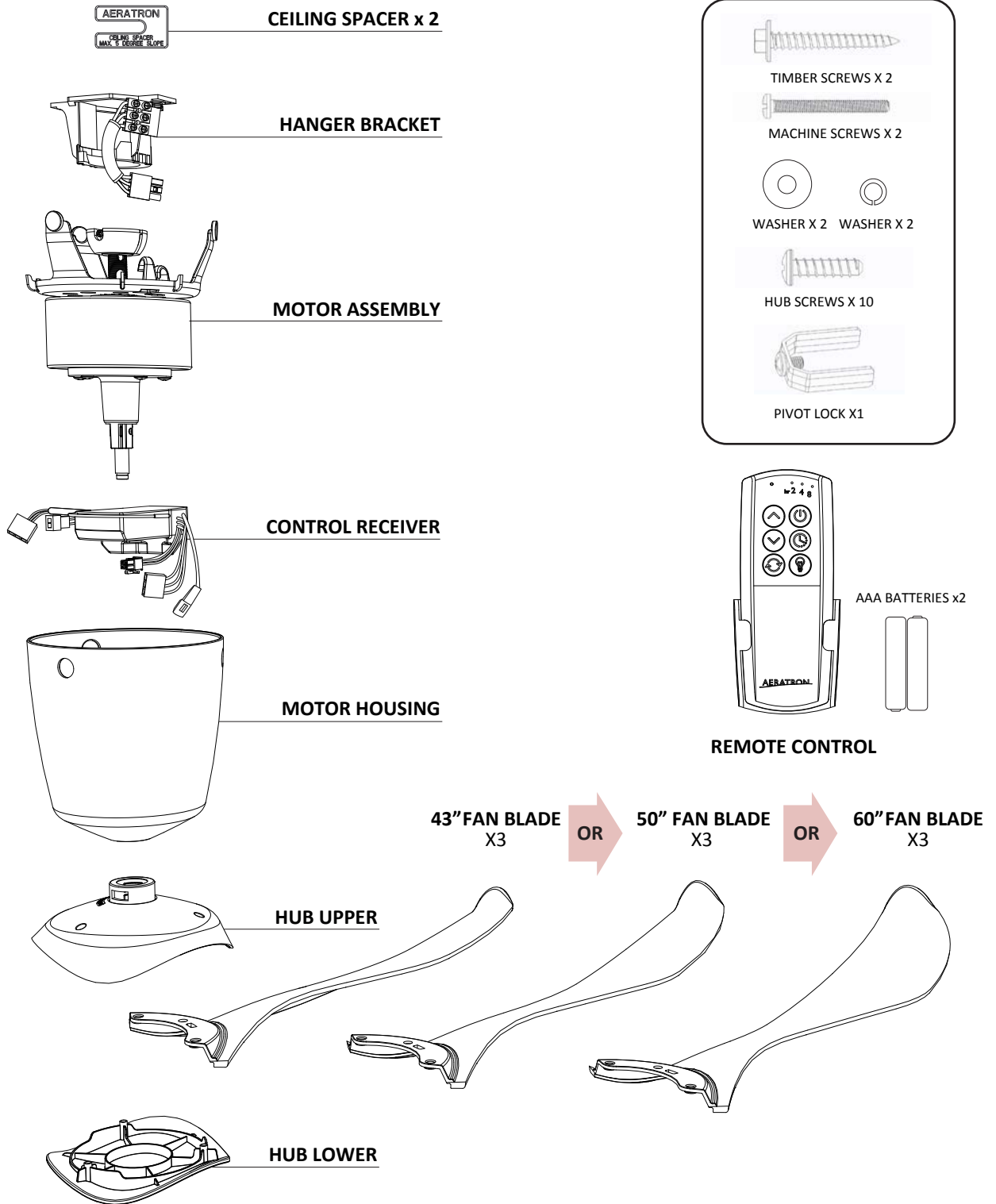
Important Information.....	1
Contents.....	2
Unpacking your Fan.....	3
Installing your Fan.....	4
STEP 1 Mounting the Hanger Bracket to Ceiling.....	4
STEP 2 Connecting Mains Power to Terminal Block.....	4
STEP 3 Inserting Fan Motor into Hanger Bracket.....	5
STEP 4 Installing Receiver into Hanger Bracket.....	5
STEP 5 Connecting Receiver.....	6
STEP 6 Attaching the Fan Motor Housing.....	7
STEP 7 Assembling the Fan Blades.....	7, 8
STEP 8 Attaching the Fan Blades.....	8
STEP 9 Pairing the Remote Control / Controlling the Fan.....	9
Option A - LED Light Kit.....	10
Option B - Ceiling Extension Kit.....	10
Option C - Raked Ceiling Kit.....	11
Technical Specification.....	12
Care and Cleaning.....	13
Troubleshooting.....	13
If the fan is noisy.....	13
If the fan rotates but does not create much airflow.....	13
General Information.....	14
Normal Wear and Tear.....	14
Ceiling Fan Warranty.....	14
Transfer of Warranty.....	15
The following is NOT covered by warranty.....	15
Aeratron ceiling fan warranty details.....	16

## IMPORTANT

For any problems found during fan installation please contact the national distributor/retailer and ask for assistance before leaving the site.

# Unpacking your fan

Unpack your fan and **examine all parts**, you should have the following:

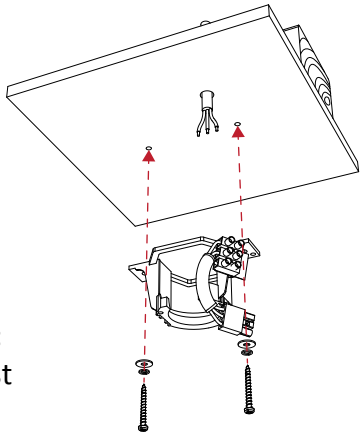


**NOTE:** Wall control and Automation control components are not included; please contact your local fan supplier for more information.

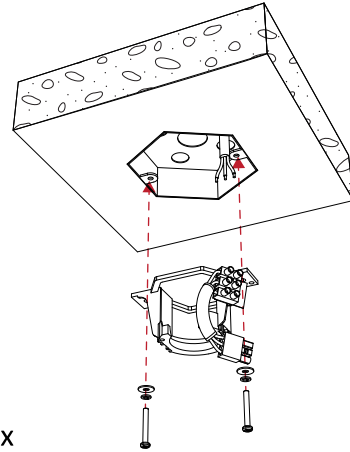
## STEP 1 Mounting Hanger Bracket to Ceiling



Before commencing installation, turn off electricity supply at the main power box. Disconnect power by removing fuse or turning off circuit breaker.



**OPTION A:**  
Ceiling Joist

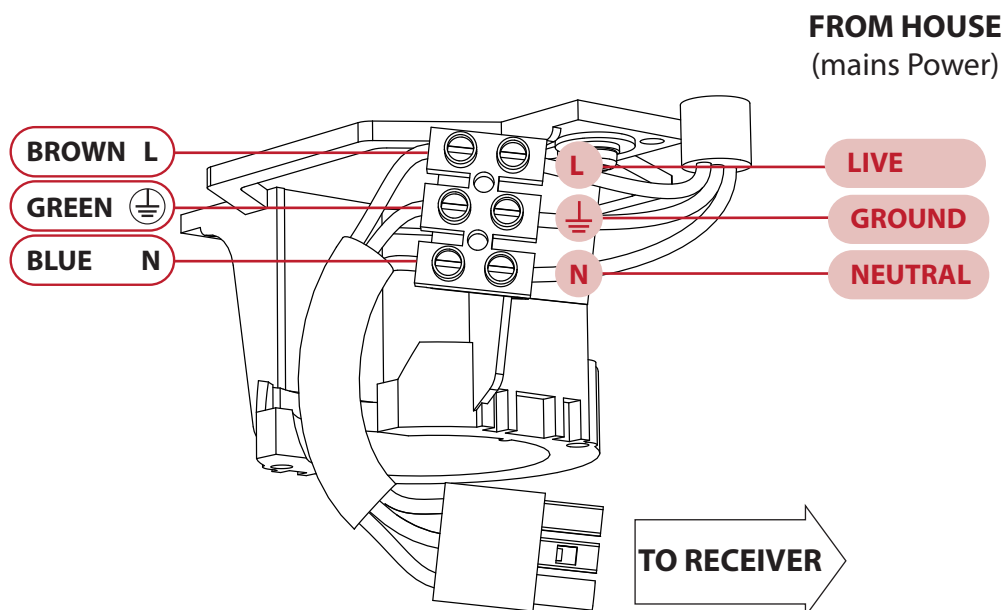


**OPTION B:**  
Embedded  
Mounting Box

Install hanger bracket to ceiling joist or Mounting Box embedded in concrete using the screws and washer provided. Ensure ceiling joists are sound and of adequate size and strength to support a 35Kg (77lbs) load. If a timber frame is to be added it must be securely nailed or screwed between two beams. Proper care must be taken when mounting to concrete ceilings. For safe mounting these ceilings may require plastic plugs / anchors and stronger screws.

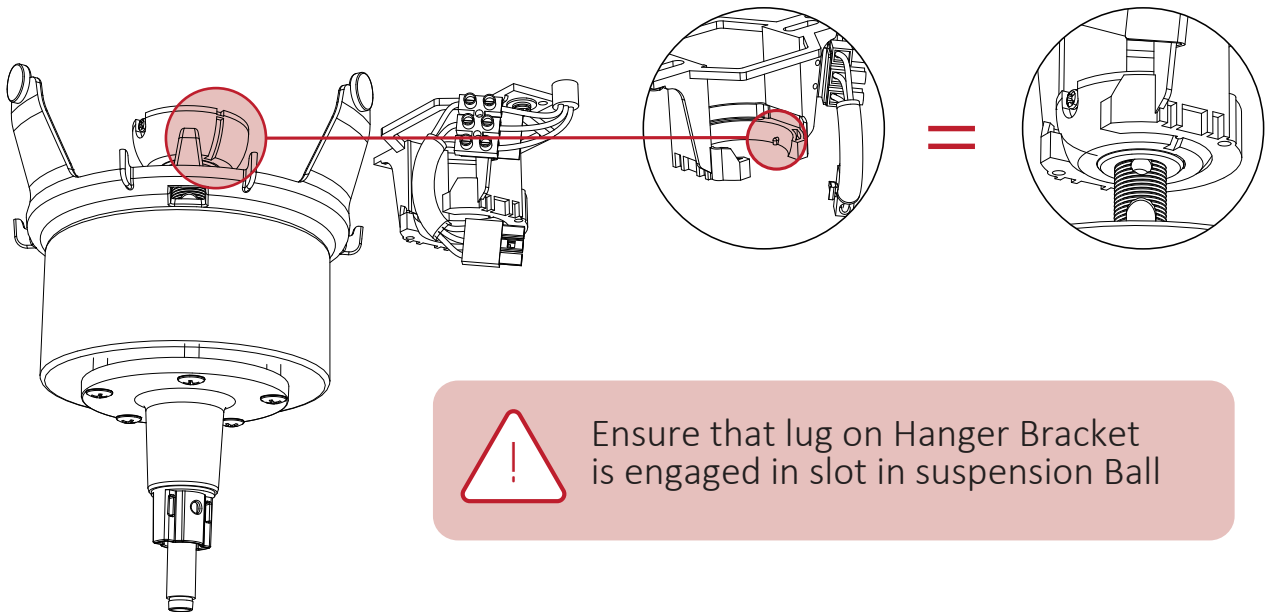
**WARNING: MOUNT ONLY TO AN OUTLET BOX MARKED ACCEPTABLE FOR FAN SUPPORT.**  
The fan is to be installed so that the blades are more than 2.3m above the floor.

## STEP 2 Connecting Mains Power to Terminal Block



### STEP 3

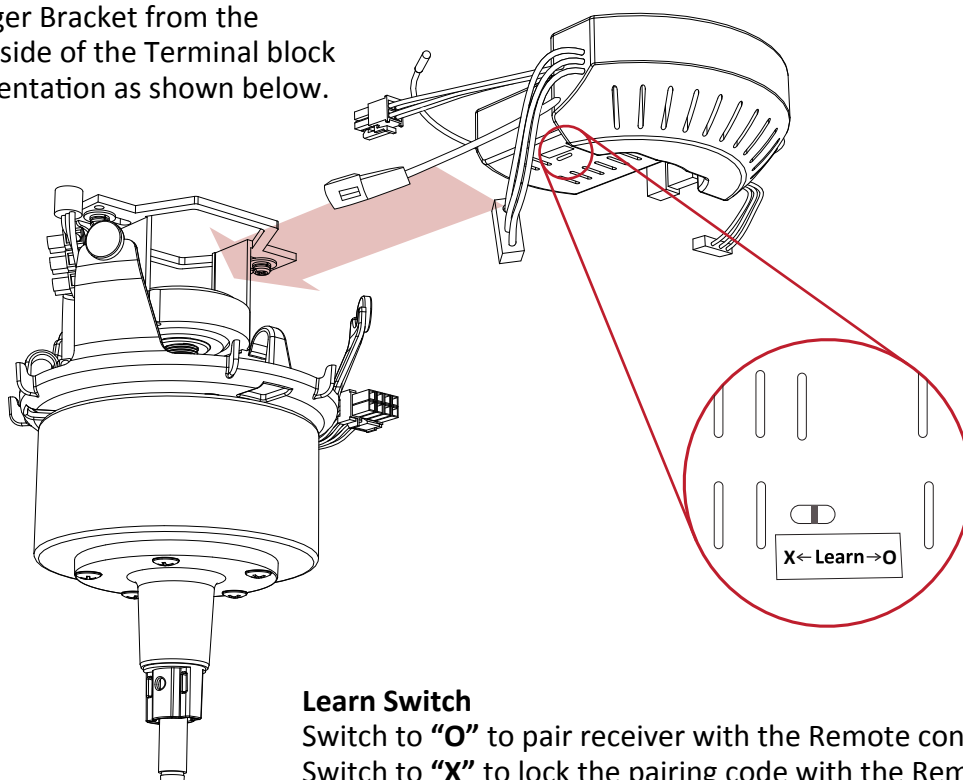
## Inserting Fan Motor into Hanger Bracket



### STEP 4

## Installing Receiver into Hanger Bracket

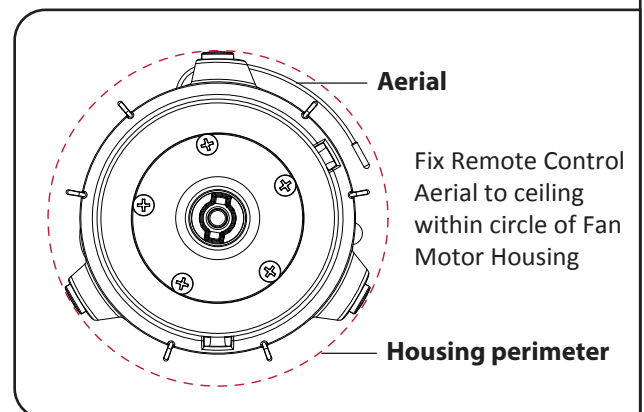
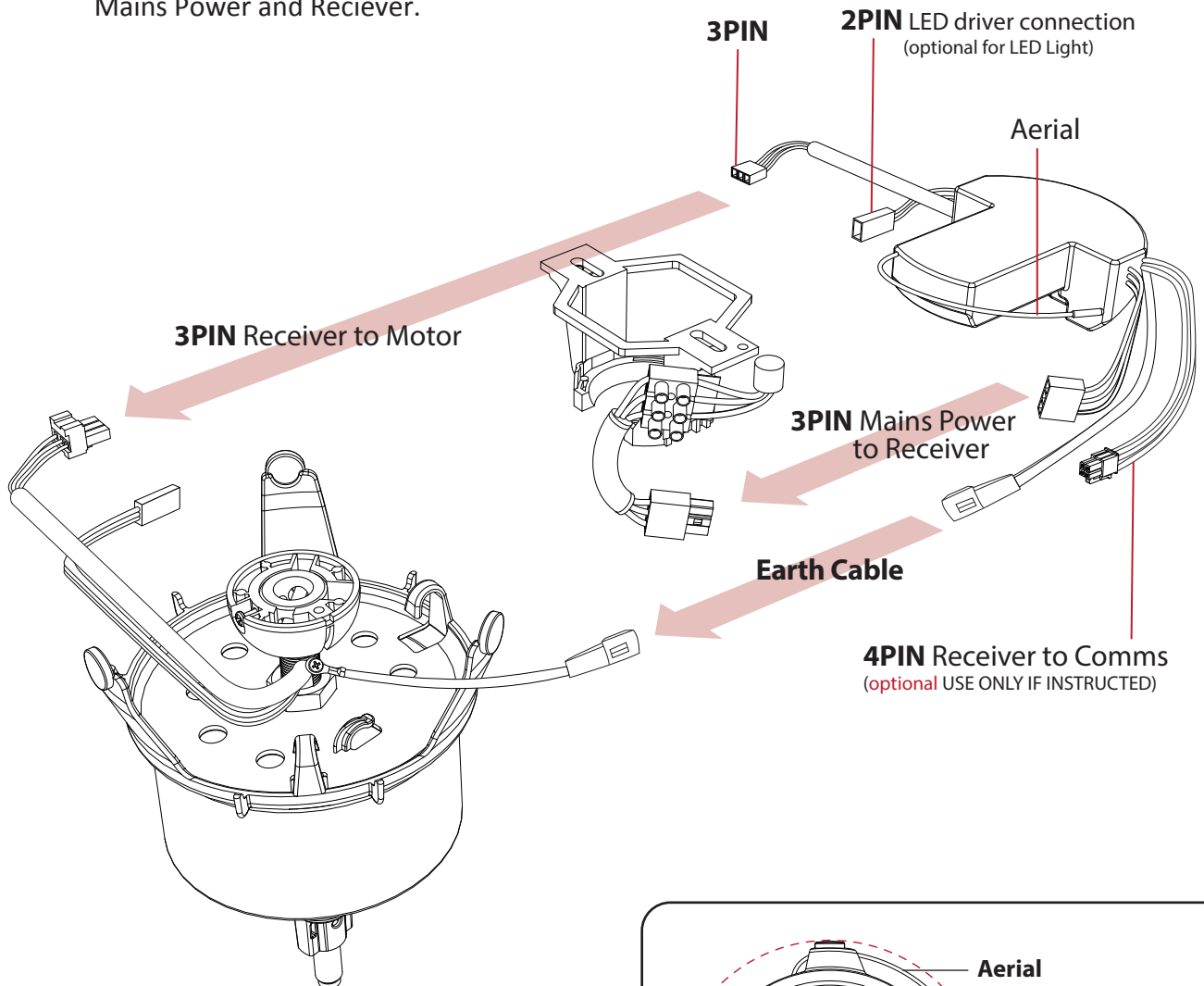
Slide Remote Control Receiver into Hanger Bracket from the opposite side of the Terminal block in the orientation as shown below.



## STEP 5

## Connecting the Receiver

1. Connect the **3PIN & Earth cable** connector between DC Motor and Receiver.
2. Connect the **3PIN** connector between Mains Power and Receiver.



## STEP 6

# Pairing the Remote Control



Pairing is always required during setup.

Note: **“Learn”** switch on receiver (STEP 4)

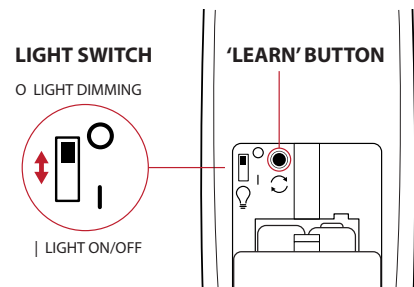
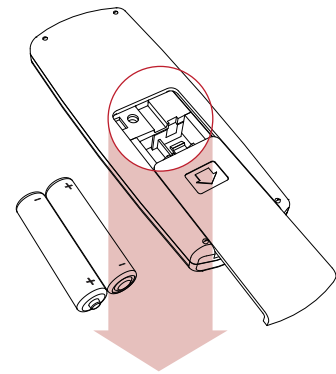
### Pairing a **Single Fan** per remote control: **LEARN MODE**

1. **On Receiver:** Verify that the **“Learn”** switch is in the **“O”** position
2. Slide battery cover to unlock - Locate the **LEARN BUTTON &** insert batteries.
3. Switch on the main power to activate the receiver, indicated by one beep. (Energise one fan receiver at a time).
4. **Within 60 seconds** after the power is turned on (one beep), **press and hold the LEARN button** on the Remote Control (min. 3 secs.) until Fan Receiver issues three ‘beeps’ which indicates successful pairing.
5. **On Receiver:** switch the **“Learn”** switch to **“X”** (this will lock the pairing code with the remote)
6. Finish **STEP 7, 8 & 9** and press **ON/SPEED** button to test fan functions.
7. To re-pair, repeat steps 3 to 5

**NOTE:** Power must be off for 10 seconds min. before repairing.

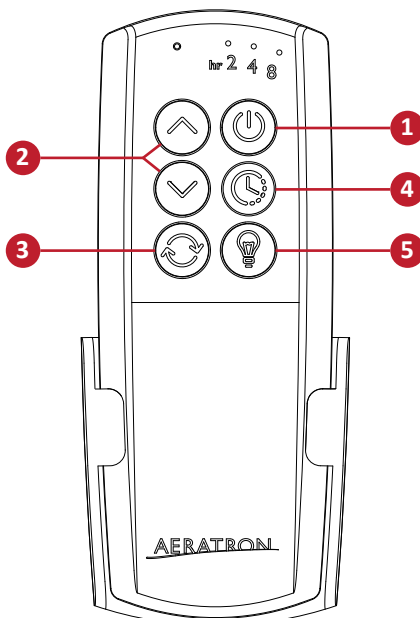
The Remote Control and Fan Receiver will memorise the pairing code for future use even if mains power is switched off.

**LIGHT SWITCH:** Select ON/OFF or DIMMING for the light function.  
(Light will maintain last setting if turned off)



### Pairing **Multiple Fans** per Remote Control.

One remote control can control up to 8 fans (within a 7m (23”) radius). On ALL receivers verify that the **“Learn”** switch is in the **“O”** position. Switch on the mains power to activate ALL receivers at the same time, indicated by one ‘beep’. Within 60 seconds, press and hold the **LEARN** button on the remote control (min. 3 seconds) until fan receiver issues three ‘beeps’.



### Controlling the Fan

1. Fan Off
2. Fan ON & Speed Up/Down - 1-6 Speed
3. Forward/Reverse  
Use forward mode (clockwise) for cooling.  
Use reverse mode (anti-clockwise) to circulate warm air.
4. Timer - scroll between 2, 4 or 8hrs
5. Light On/Off  
To DIM, press and HOLD light button to cycle from bright to dark. (**LIGHT SWITCH** at dimming position).

### Audible Speed Indication

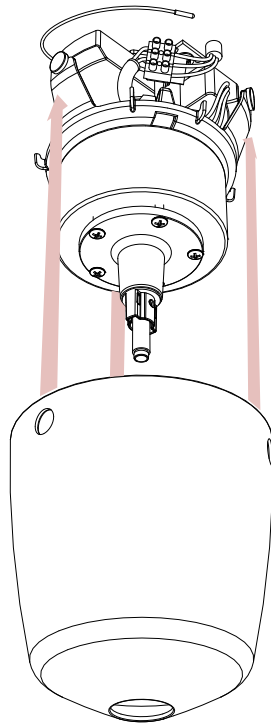
🔊 short beeps      🔊 long beeps

SPEED 1	—	SPEED 4	—
SPEED 2	— —	SPEED 5	— — —
SPEED 3	— — —	SPEED 6	— — — —

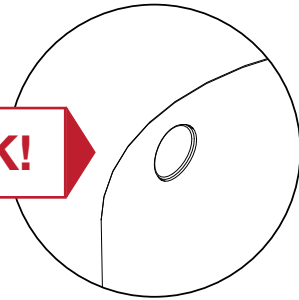


## STEP 7

# Attaching the Fan Motor Housing



**CLICK!**



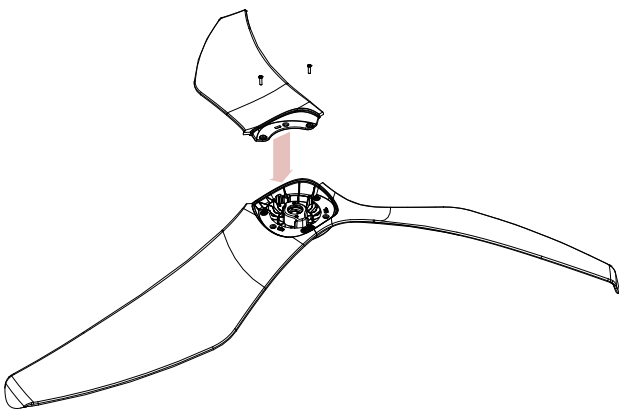
Align the 3 tabs with the 3 holes on the Housing and move upwards. Push tabs inwards slightly before sliding upwards until you hear a click as the tabs lock.

## STEP 8

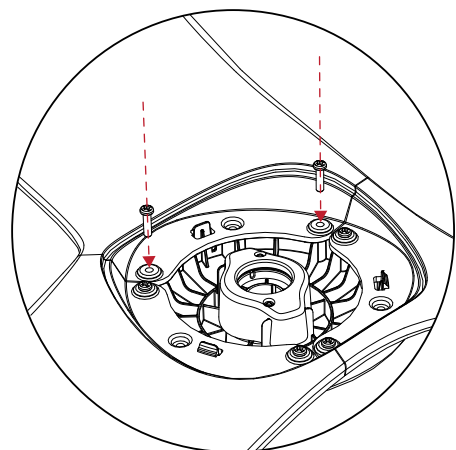
# Assembling the Fan Blades



Constantly handle fan with care at all times to avoid damaging the fan/surface



Place the Hub Upper onto a clean working area. Line-up the two mounting holes in the Fan Blade with the 2 holes in the Hub Upper.



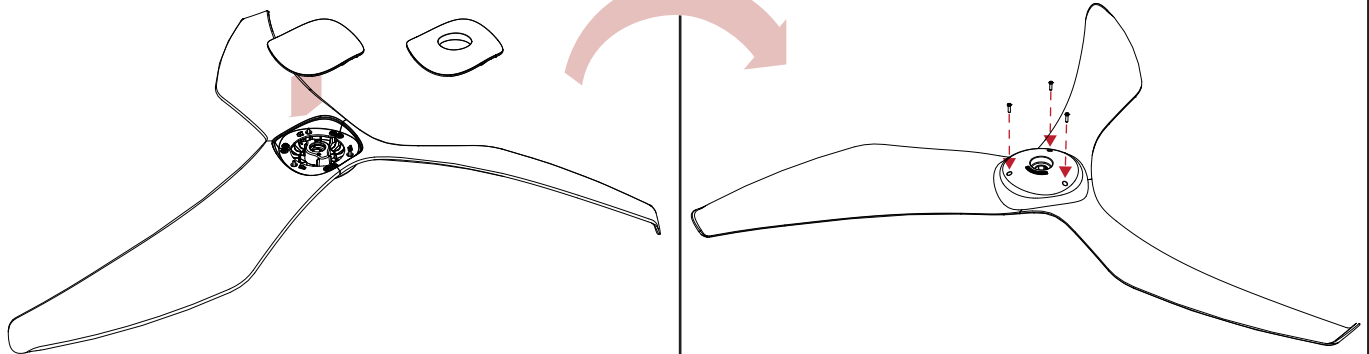
Fix the 3 Fan Blades tight and firm using 2 Hub screws for each Blade.

To ensure tight and secure blade assembly a power tool on low torque setting (4-6) can be used.

## STEP 8

## Assembling the Fan Blades cont.

Light Hub Lower  
(OPTIONAL)



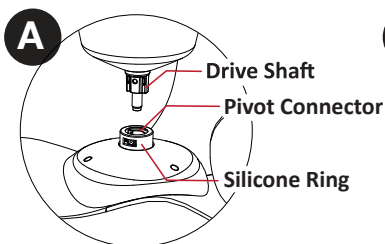
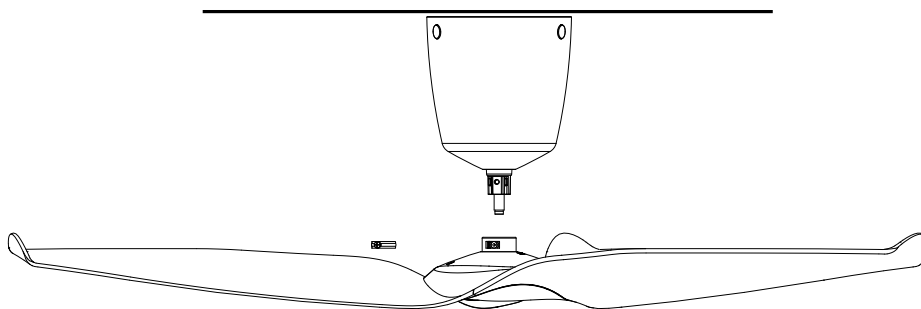
Insert the Hub Lower (or optional Light Hub Lower) into the recess. With care, turn the fan over.

Fasten the the Hub Lower from the top side using the 3 Hub Screws.

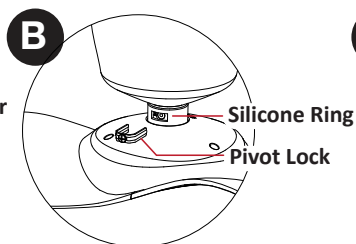
C D

## STEP 9

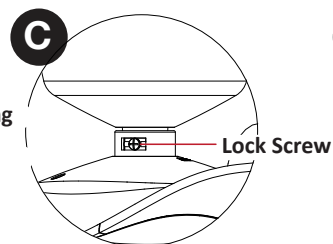
## Attaching the Fan Blades



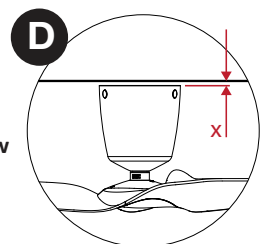
Align Drive Shaft with Pivot Connector and slide fan blades onto Drive Shaft.



Hold/push up Fan Blades and insert Pivot Lock, defelecting the silicon sideways. Push Pivot Lock into the shaft.



Tighten Lock Screw securely using screw driver.  
**Do not use power tools.**



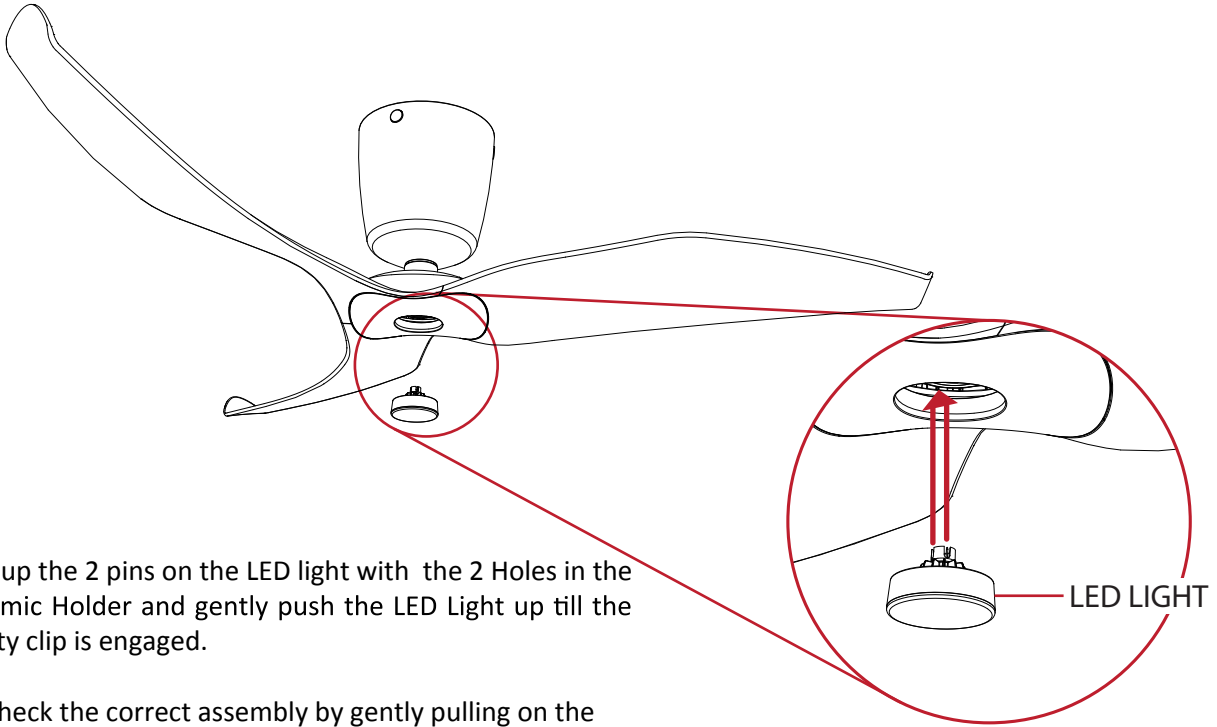
Ensure fan shaft is vertical. The fan will be vertical if the clearance 'X' between the ceiling and motor housing is equal all way round.



No liability is accepted if the Silicone ring is removed or the Pivot Lock is installed incorrectly/lock screw is not tightened.

OPTION A

LED Light Kit



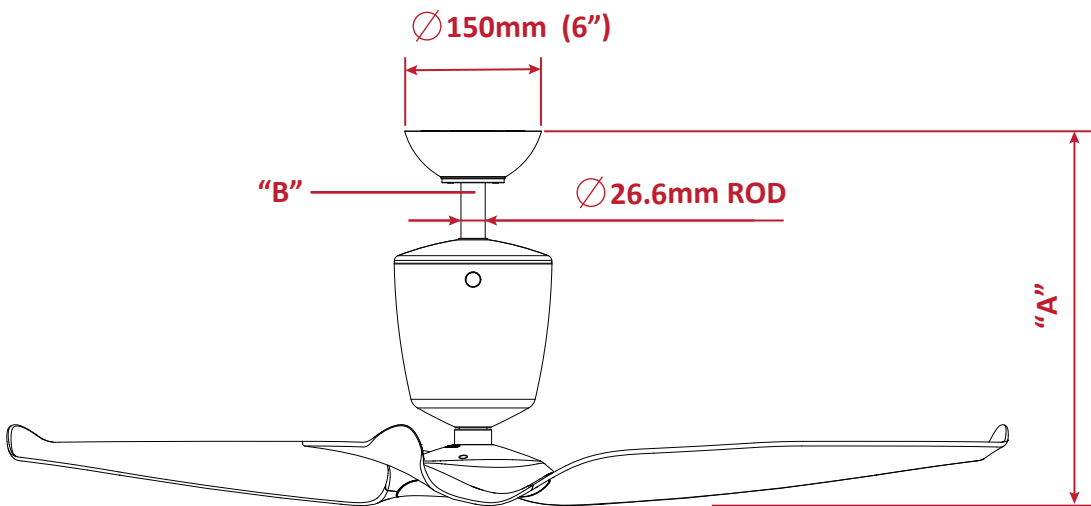
Line up the 2 pins on the LED light with the 2 Holes in the Ceramic Holder and gently push the LED Light up till the Safety clip is engaged.

Re-check the correct assembly by gently pulling on the Light to make sure the LED is tight.

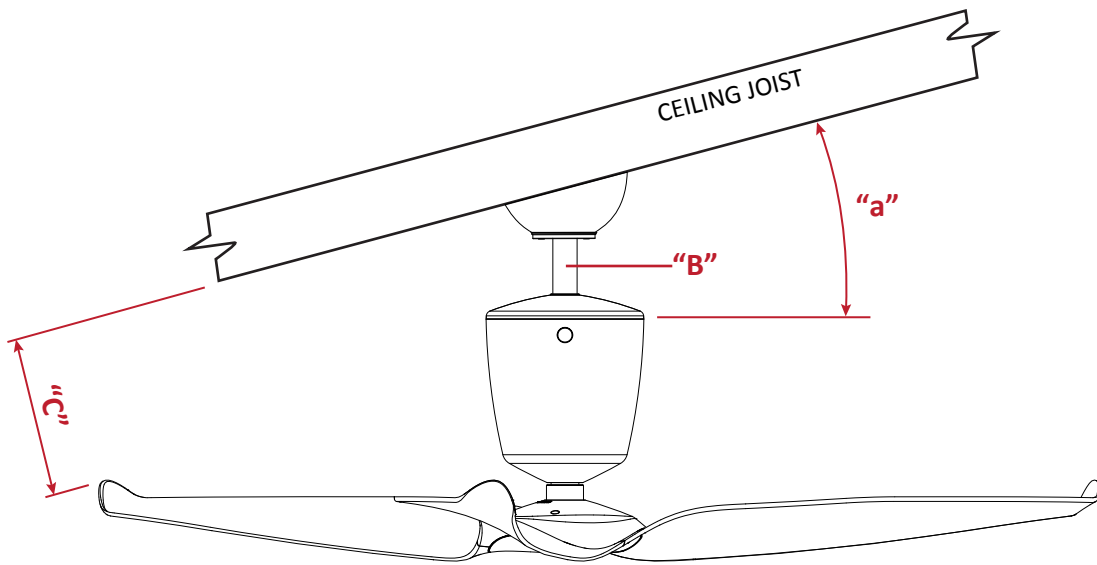
OPTION B

Ceiling Extension Kit

Suitable for Raked Ceiling up to 15°

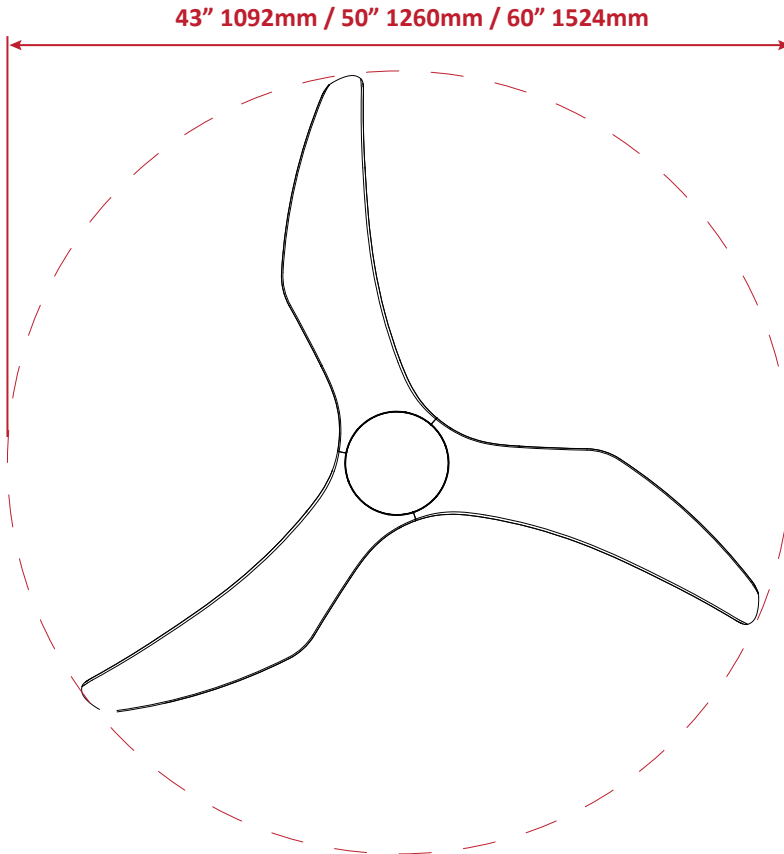
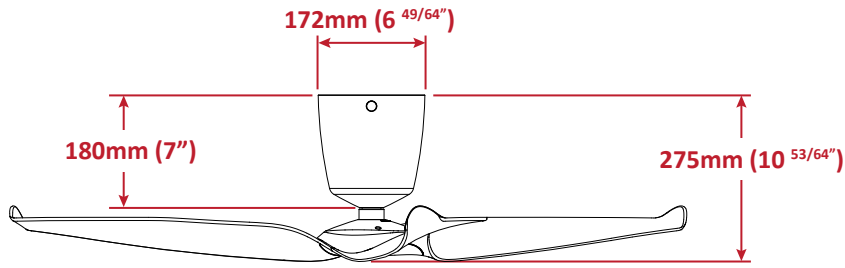


"A" Ceiling to Fan blade	"B" Extension Rod Length	Accessories Required
420mm (16 <sup>17</sup> / <sub>32</sub> " )	115mm Rod (4 <sup>17</sup> / <sub>32</sub> " )	Included
910mm (35 <sup>53</sup> / <sub>64</sub> " )	600mm Rod (23 <sup>5</sup> / <sub>8</sub> " )	Not Included
1210mm (47 <sup>41</sup> / <sub>64</sub> " )	900mm Rod (35 <sup>7</sup> / <sub>16</sub> " )	Included



"a" Angle	"C" Clearance	"B" Extension Rod Length	Accessories Required
15° - 17°	200mm min.	115mm Rod (4 17/32")	Included
17° - 33°	200mm min.	600mm Rod (23 5/8")	Not Included
33° - 40°	Decoration ring not fitted	900mm Rod (35 7/16")	Included

# Technical Specifications



**Dimensions for Model:**

FR3-43", FR3-50", FR3-60"

**Fan Weight:**

FR3-43" = 4.7kg (10.4lbs)

FR3-50" = 5.1kg (11.2lbs)

FR3-60" = 5.3kg (11.7lbs)

**Colour Options:**

White/Silver/Black

Dark/Light wood-grain

**Remote Control:**

Hand held, RF

**Options:**

Wall switch control

Automation control

MODEL	SPEED 1	SPEED 2	SPEED 3	SPEED 4	SPEED 5	SPEED 6
FR3-43	70rpm/4.5W	99rpm/6W	126rpm/8.4W	151rpm/11.3W	181rpm/15W	207rpm/20W
FR3-50	57rpm/4.4W	93rpm/9.3W	122rpm/11W	142rpm/15W	160rpm/20.4W	180rpm/26.2W
FR3-60	57rpm/4.5W	80rpm/6.7W	101rpm/9.6W	126rpm/14.5W	150rpm/22.5W	166rpm/28.5W

Operating Voltage = 240V/50Hz / Operating speed = rpm (revolutions per minute) / Power usage = W (Watt)

MODEL	SPEED 1	SPEED 2	SPEED 3	SPEED 4	SPEED 5	SPEED 6
FR3-43	70rpm/3.2W	96rpm/4.4W	125rpm/6.4W	156rpm/9.6W	181rpm/13.4W	205rpm/19.8W
FR3-50	57rpm/3.2W	92rpm/5.8W	122rpm/9.8W	141rpm/14W	162rpm/19.2W	181rpm/25.9W
FR3-60	56rpm/3.1W	82rpm/5.2W	102rpm/8.3W	128rpm/14W	151rpm/20.5W	168rpm/28.5W

Operating Voltage = 120V/60Hz / Operating Speed = rpm (revolutions per minute) / Power usage = W (watt)

## Care and Cleaning

Regular cleaning of the Aeratron Ceiling fan blades and fan motor housing is the only maintenance needed. Due to the self-balancing design, a large build up of dust on blades may create an imbalance in extreme cases only, causing the blades to wobble during use. This is likely to be more apparent on fans with an extension rod. Regular cleaning of the blade is recommended to prevent dust from building up.

1. When cleaning your fan, only use a soft brush or lint free cloth to avoid scratching the finish. DO NOT use water when cleaning your ceiling fan. It could damage the motor or blades and/or create the possibility of electric shock.
2. When dusting the blades, they must be supported to prevent bending - no pressure should be applied to the blade pivot. After cleaning the blades, check to ensure that the Drive Shaft is vertical, otherwise the fan may wobble.
3. Occasionally, it may be necessary to re-tighten the fan blades/screws to prevent any clicking or humming sounds during operation. This is especially true in climates with broad temperature and humidity ranges.
4. If you experience any flaw in the operation of your fan, please check the points in the Trouble Shooting section below.

## Troubleshooting



Except for items 1 to 3 below, the following require access to areas of the fan which **carry lethal voltage** and must be carried out by properly qualified personnel. ONLY points 1 to 3 below can be carried out by the user.

### **If the fan does not operate properly, or turns on or off at random.**

1. If applicable, change the batteries in the Remote Control (Handset).
2. Re-pair the remote using steps 3&4 (page 9)
3. Multiple fans: disconnect power to all fans, wait for a minimum of 10 seconds before switching power back on to all the fans (see page 9)
4. Disconnect and reconnect the 3-pin connector (receiver to motor) to make sure that the connectors are fully engaged (see page 6)
5. Check the main and branch circuit breakers and/or fuses.
6. Check the wire connections to the fan.
7. Other RF devices may obstruct the handset to receiver signal

### **If the fan is noisy**

8. Check to make sure that Suspension Ball is located in the slot correctly, and the one screw securing the suspension ball is tight (see page 5).
9. Check that Hanger Bracket is solidly mounted, no movement allowed (see page 4)
10. Check that the 2 Hub screws per fan blade are tight and firm (see page 7).
11. Excess wind can lift the fan blades and result in some noise.

### **If the fan rotates but does not create much airflow**

12. The room may contain items which obstruct the air-flow.
13. The fan may be too small for the size of the room.
14. The fan might be in reverse function (counter clockwise rotation)

**Note:** In some areas, signals are sent through the power lines by the electricity supplier for the control of off peak hot water, street lights and so on. These signals may cause an intermittent humming in the ceiling fan. p Filters may be available in your country at customer costs. It is not a ceiling fan fault.

## General Information

1. All electrical motors, including fan motors generate some noise, and may feel hot to the touch. This is NOT a fault.
2. Ceiling fans tend to move during operation due to the fact that they are not rigidly mounted. (Rigid mountings can generate excessive vibration and stress on the mountings).  
Movement of a couple of centimetres is quite OK and does not suggest that the fan will fall down. The Aeratron fan is mounted securely on a metal Hanger Bracket with rubber cushioning and a ball joint to allow free movement. Please note that due to manufacturing variations not all Aeratron ceiling fans are exactly the same - some may move more than others. Note: Excessive wobble can be caused by Drive Shaft not being positioned vertically. This can be easily rectified by adjusting the position of the Fan Motor Assembly in the Hanger Bracket (see step 8 (D) page 8).
3. Ceiling fans are an environmentally smart choice to help cool you in your home. They work by creating air flow which causes a cooling sensation on the skin. Ceiling fans do not cool down air, so for energy wise use, they should be switched off when leaving a room. The effectiveness of ceiling fans is also dependent on the humidity in the air - they are more effective in humid environments, and less so in dry ones.
4. During winter, a reverse (counter clockwise) turning fan helps to reduce heating costs. Warm air rises to the ceiling, where it cannot be felt by the occupants of a room, especially in areas with high ceilings. The fan assists to distribute warm air more evenly in the room allowing to set the thermostat several degrees lower.

### Normal Wear and Tear.

Threaded components working slightly loose or parts even slightly damaged or bent during vigorous cleaning or bumping can cause wobble and noise. This is not covered under warranty, but care during maintenance and cleaning should prevent this from occurring.

## Warranty

**You must have the original purchase receipt or bill of sale to make a warranty claim. No claim will be accepted unless proof of date of purchase is available at the time of making the warranty claim.**

### Ceiling Fan Warranty Period.

The ceiling fan itself, excluding the Remote Control Transmitter and Receiver, is covered by a 3 year in-home warranty unless stated otherwise in your jurisdiction (USA –30 year warranty on the motor). For any warranty claims, please contact your local or regional retailer or distributor. Aeratron Pty Ltd will, at its discretion, only repair or replace defective products which have been directly purchased from Aeratron Pty Ltd, all other product claims must be lodged through your local retailer/distributor. Labour and product delivery costs are borne by Aeratron Pty Ltd or the retailer during this 3 year period. The cost of obtaining or using special access equipment (scissor lifts, scaffolding etc.) is specifically excluded, and it is the responsibility of the owner to provide such equipment and have it safely installed and operated.

### Remote Control Warranty Period.

In general, Aeratron Pty Ltd Remote Control Receivers and Transmitters (Handsets) are covered by a 1 year in-home warranty (unless stated otherwise in your jurisdiction) under the same conditions as described above for fans.

### Balance of Warranty on Repaired or Replaced Products.

Any replaced or repaired product is covered only by the balance of the warranty remaining on the original article.

## Warranty Cont.

### Transfer of Warranty.

If the dwelling where the fan is installed changes hands, the balance of the warranty passes to the new owner, providing the original bill of sale for the product is retained by the new owner.

Warranty does not cover damage to the fan if it is moved from one dwelling to another during the warranty period. The warranty is voided in total if the product is sold as second hand goods.

### The following is NOT covered by warranty.

1. Any damage incurred after delivery to the owner that is not caused by a fault in the products materials or workmanship; damage from lightning or power surges; incorrect installation; damage due to incorrect installation; noise or other influence of ripple control or information access systems operated over power delivery infrastructure; water damage of any kind; installation or use outdoors; damage arising from connection to or use with alternative power systems (e.g. inverters, solar, etc.).
2. Ceiling fans not installed by a licensed electrician.
3. Repair of a ceiling fan used incorrectly, accidentally damaged, modified in any way or not serviced in accordance with the maintenance instructions.
4. Travelling costs incurred by Aeratron Pty Ltd personnel or service agents and/or the cost of transporting and insuring the ceiling fan between the nearest Aeratron Pty Ltd agents' service depot and its normal location. These costs must be met by the purchaser.
5. Subject to any statutory provisions to the contrary, claims for damage to furniture, carpet, walls, ceilings, foundations or any other consequential loss either directly or indirectly resulting from a faulty ceiling fan.
6. Signals sent through the mains power supply by the electricity supplier for off peak hot water, and other signals including those for street lights and such. These signals may cause an intermittent humming in the ceiling fan. It is not the fault of the ceiling fan.
7. A service call fee will be charged where; there is nothing wrong with the ceiling fan or; the defective operation of the ceiling fan is due to failure of electricity or; the installation is not in accordance with Aeratron Pty Ltd instructions and/or applicable local regulations or; the defects have been caused by incorrect application or abuse of the ceiling fan or; the damage has been caused by unauthorised persons attempting to repair the fan.
8. When humidity is high and temperature drops moisture condenses on metal surfaces including ceiling fans. The layer of moisture can be almost microscopic but it will affect the surface by depositing a tiny layer of dissolved salts or airborne acidic compounds and thus eventually leading to corrosion if the product is not properly and regularly cleaned.
9. Travelling costs incurred by Aeratron personnel or service agents exceeding 50kms between the nearest agents' service depot and the customer. These costs must be met by the purchaser.

### Making a Claim

You must have the original purchase receipt or bill of sale along with a proof of installation by a Licensed Electrician to make a warranty claim. No claim will be accepted without these documents being provided.

Please contact the local agent via the warranty Hotline, web or email.

**Please note carefully** - If the product is found to be free of defects or the product is not functioning properly as a result of faulty installation or lack of maintenance then Aeratron or its service agent reserve the right to charge a service fee to rectify the reported problem.

### IMPORTANT

For any problems found during fan installation please contact the national distributor/retailer and ask for assistance before leaving the site.



# Warranty Details

## WARRANTY PHONE NUMBER

**AUSTRALIA 1300 116 305 (9am to 5pm EAST)**

or please go to **[www.aeratron.com/contact](http://www.aeratron.com/contact)**

Please Note: When calling for warranty you will require the following information; date of purchase; model and colour of the fan. The installing electrician's details may also be required.

### Aeratron ceiling fan warranty details

Please File with your Purchase Receipt

#### Customer Details

Name; \_\_\_\_\_

Address: \_\_\_\_\_

Post Code: \_\_\_\_\_

Phone Number: \_\_\_\_\_

#### Fan Details

Model: \_\_\_\_\_

Colour: \_\_\_\_\_

Date of Purchase: \_\_\_\_\_

#### Electricians Details

Name of Electrician: \_\_\_\_\_

Licence Number: \_\_\_\_\_

Please scan and send per email to your local or national retailer or distributor

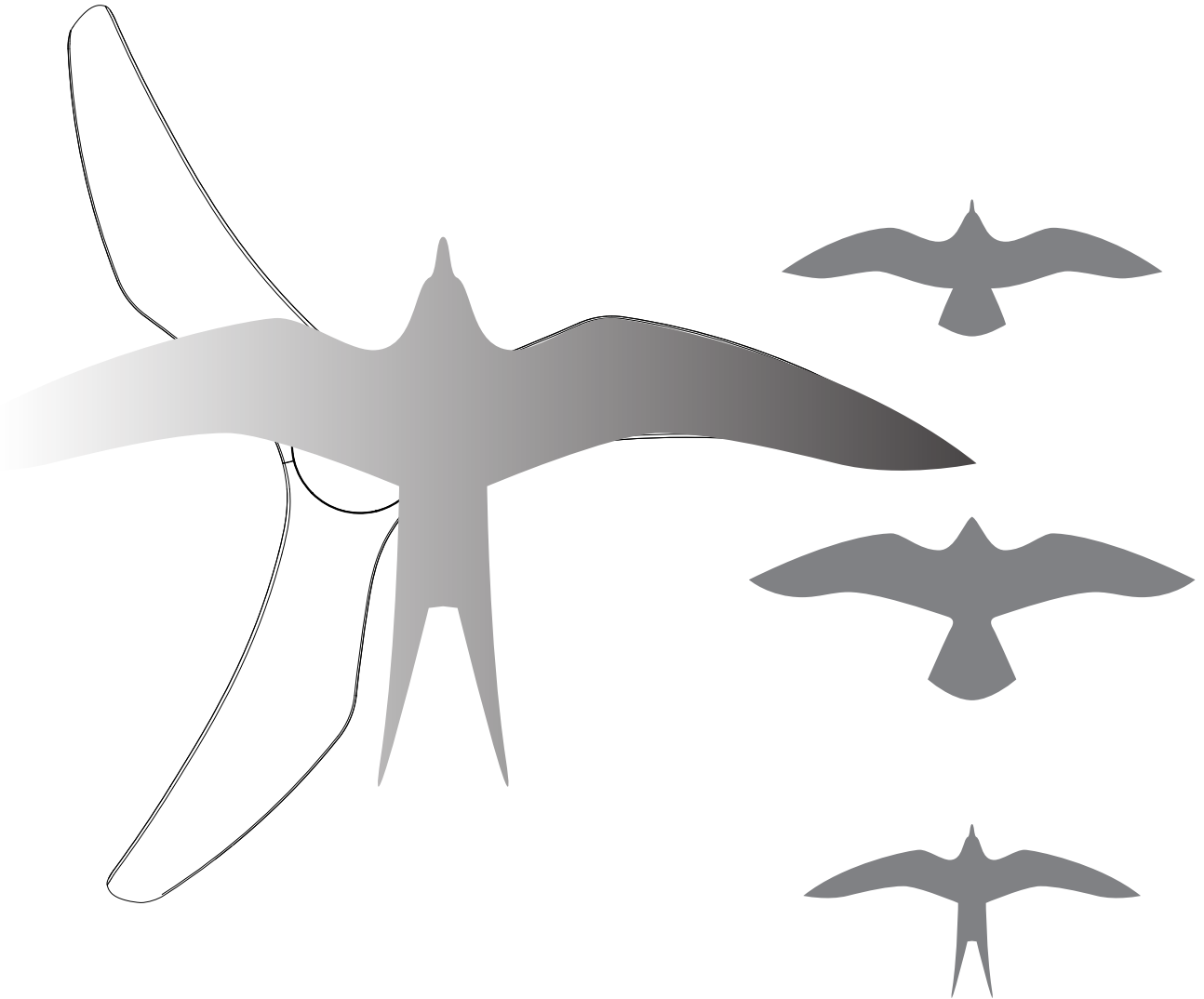
#### IMPORTANT

For any problems found during fan installation please contact the national distributor/retailer and ask for assistance before leaving the site.

## INSPIRED BY THE EXPERTS

If this shape looks familiar - that's because it is. Your Aeratron fan was painstakingly developed to mimic nature's true masters of controlling air. It's a proven design that we are confident will work as efficiently in your home for years to come.

The **FR**igatebird has optimised wings with the largest wingspan in relation to its body of any bird species in the world, so the frigatebird is naturally an adept pilot. Frigatebirds have been known to stay in the air for nearly a whole week.



---

Thank you. Your Aeratron team.

**AERATRON**

International Edition 2018/11