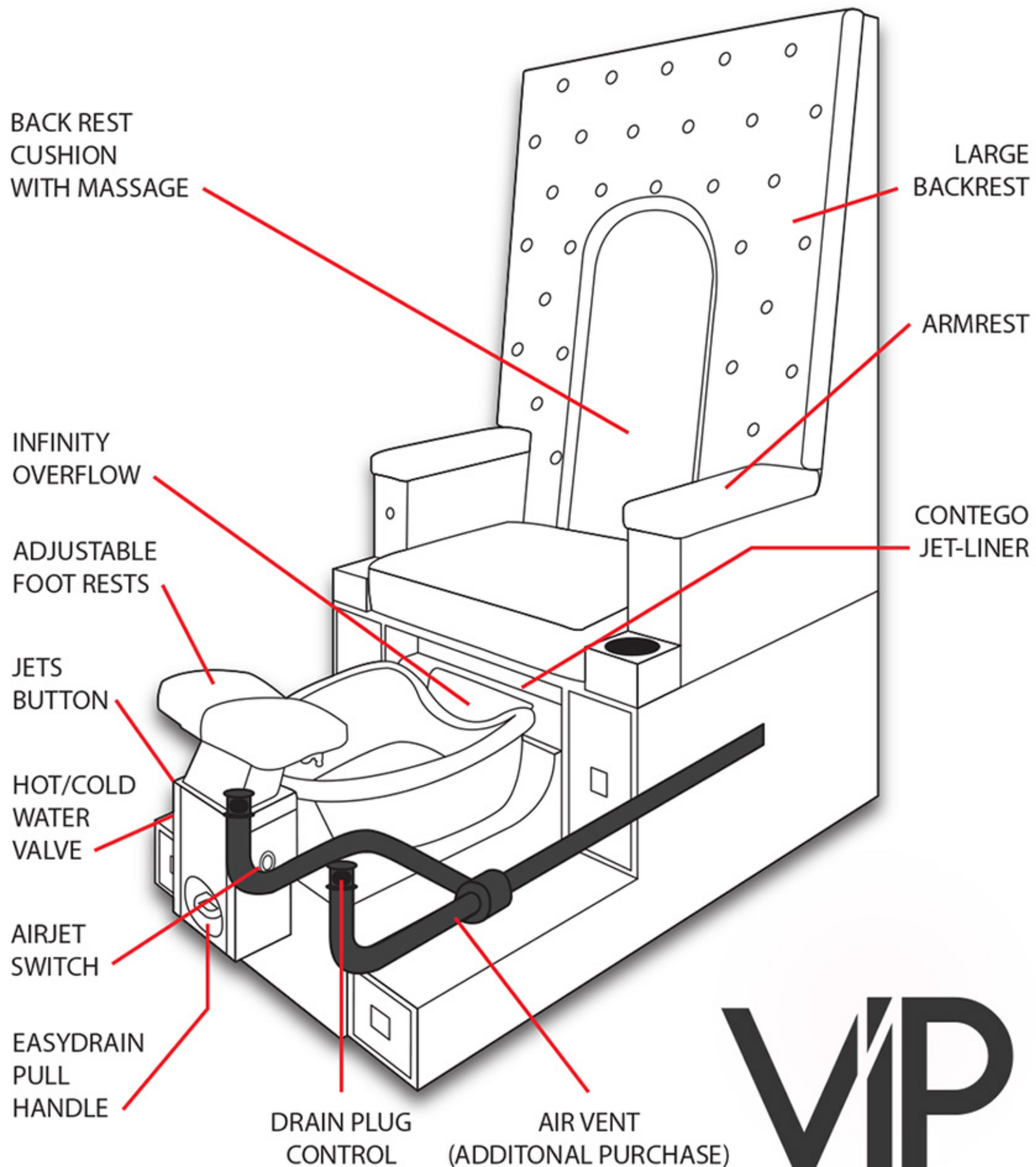


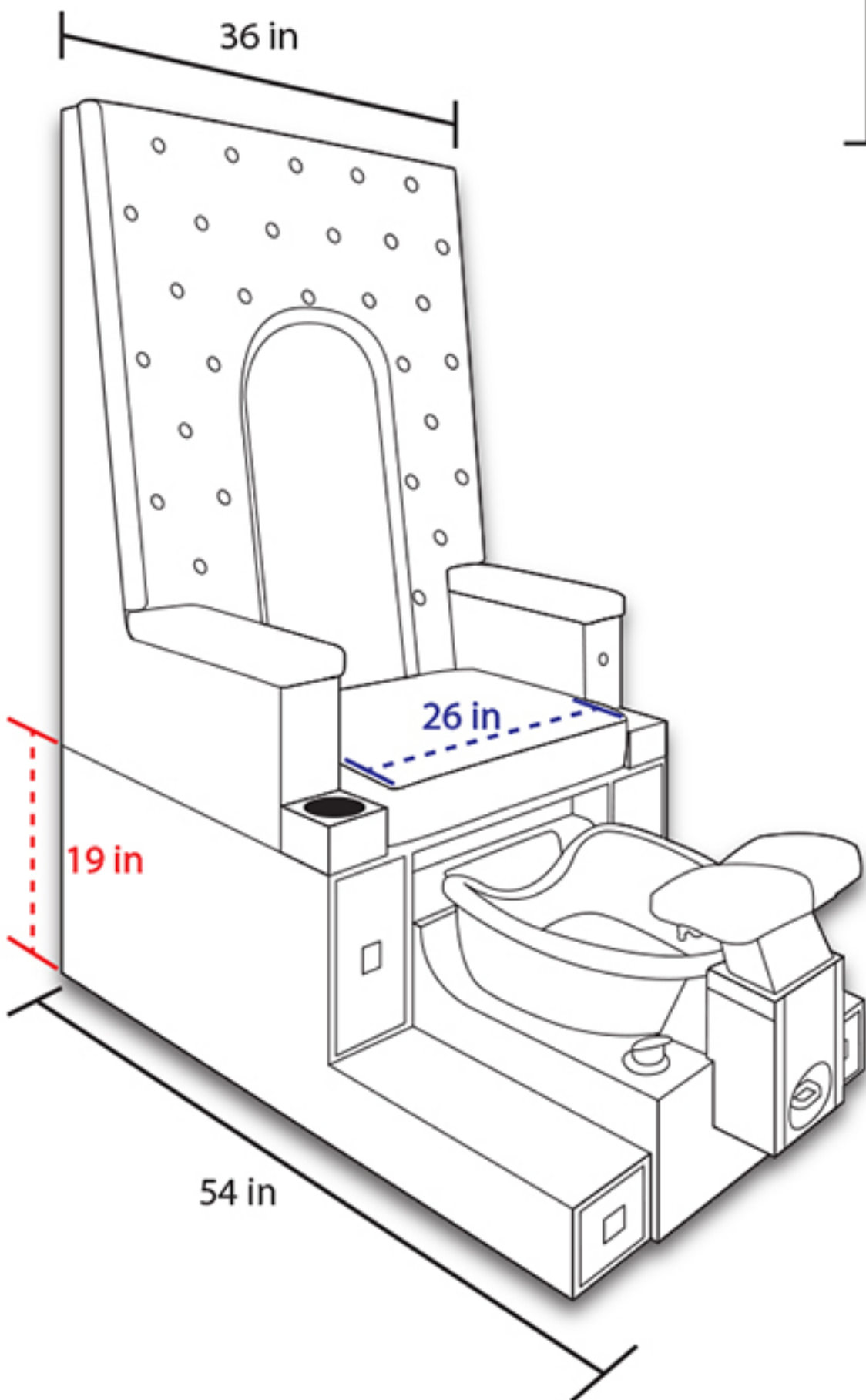
Identifying parts for VIP Model



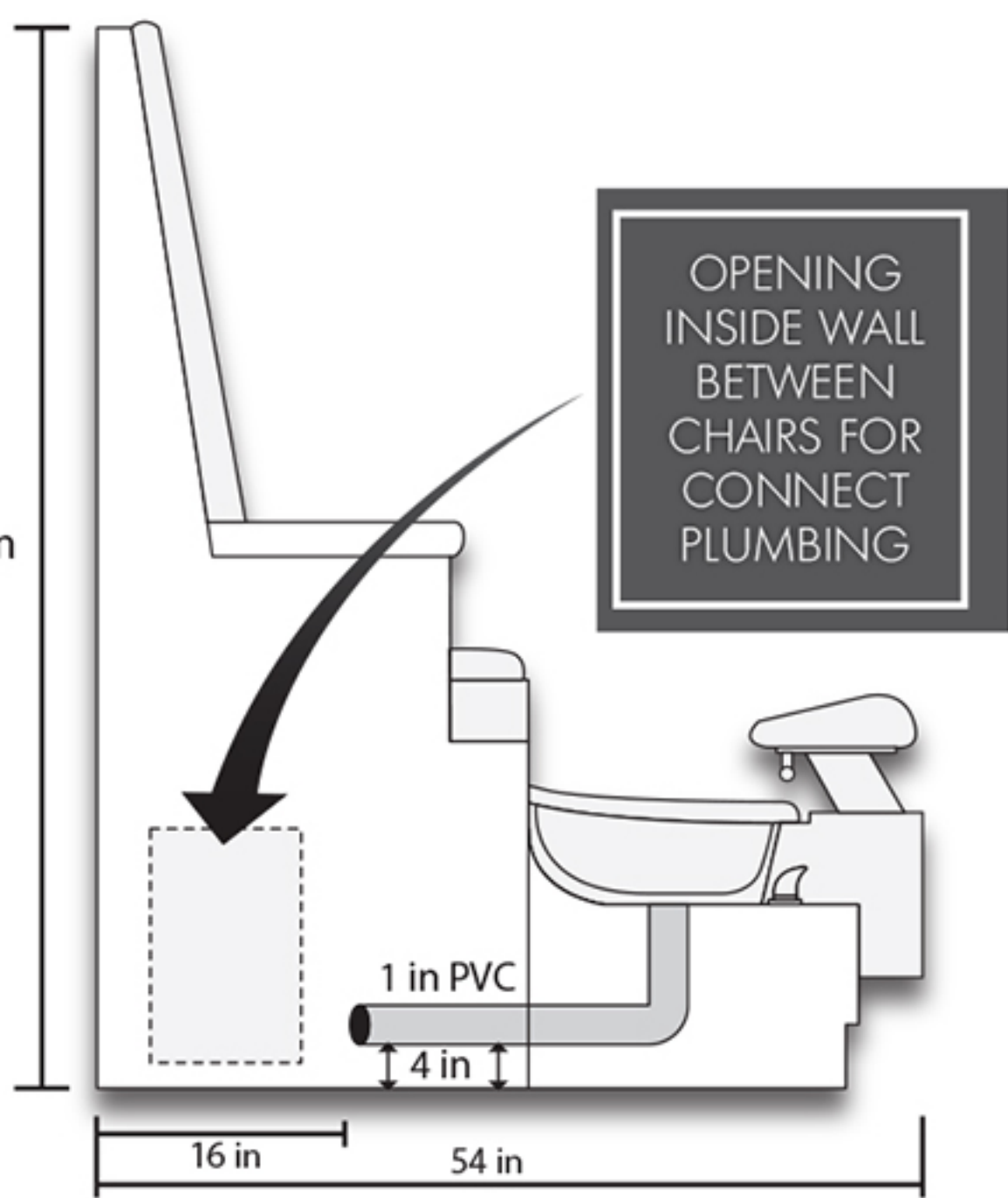
VIP

VIP

CHAIR DIAGRAM



68 in



BACKVIEW OF BASE

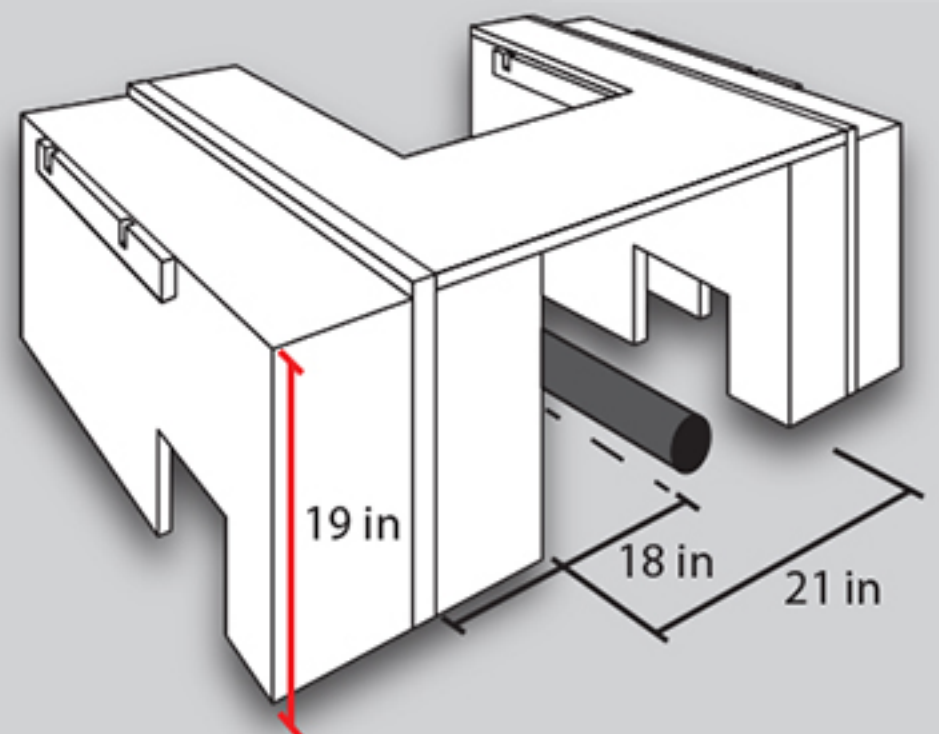
NOTE:

1ST DRAIN SHOULD BE AT

18 INCHES

THERE AFTER, DRAINING SPACE SHOULD BE

36 INCHES



VIP

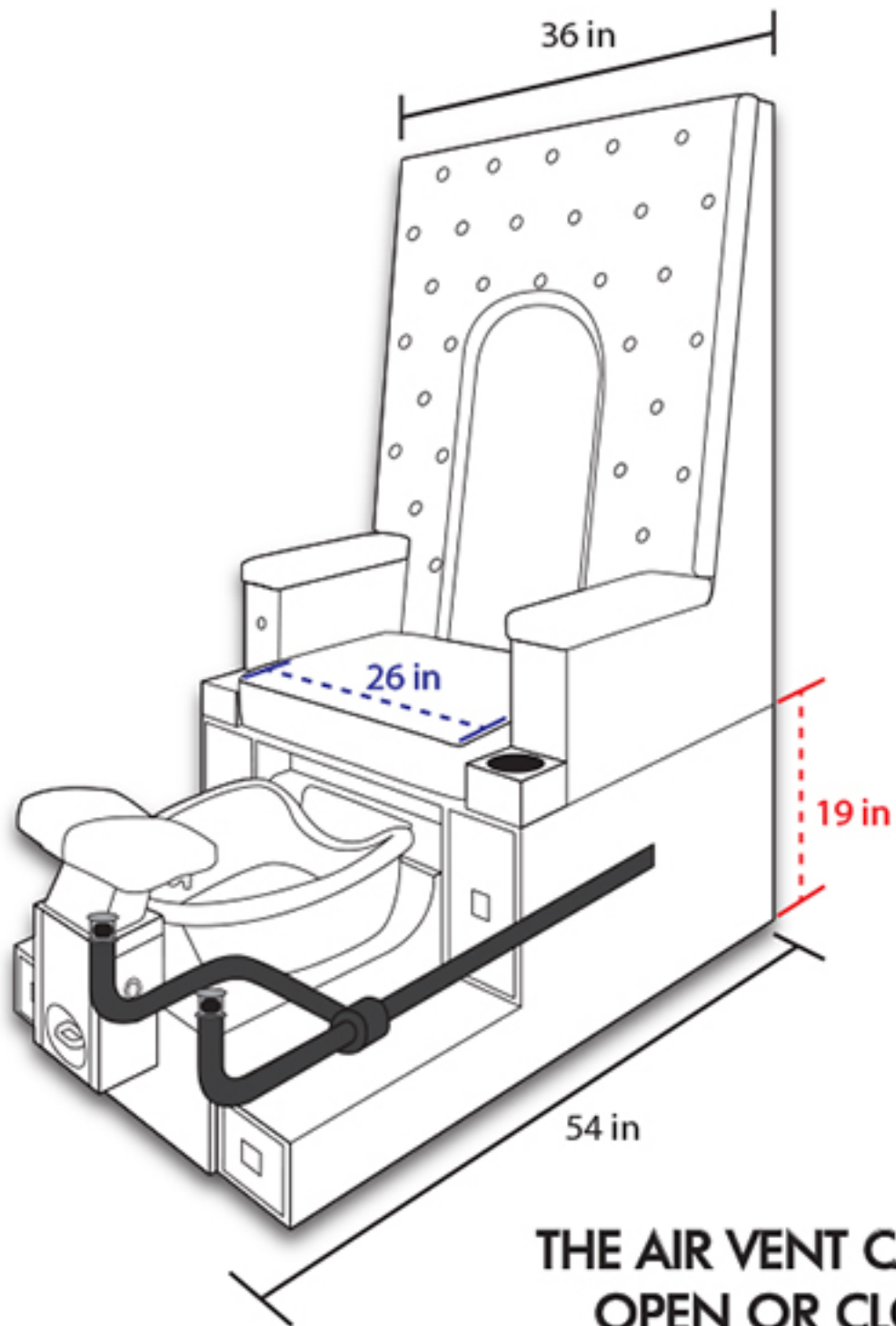
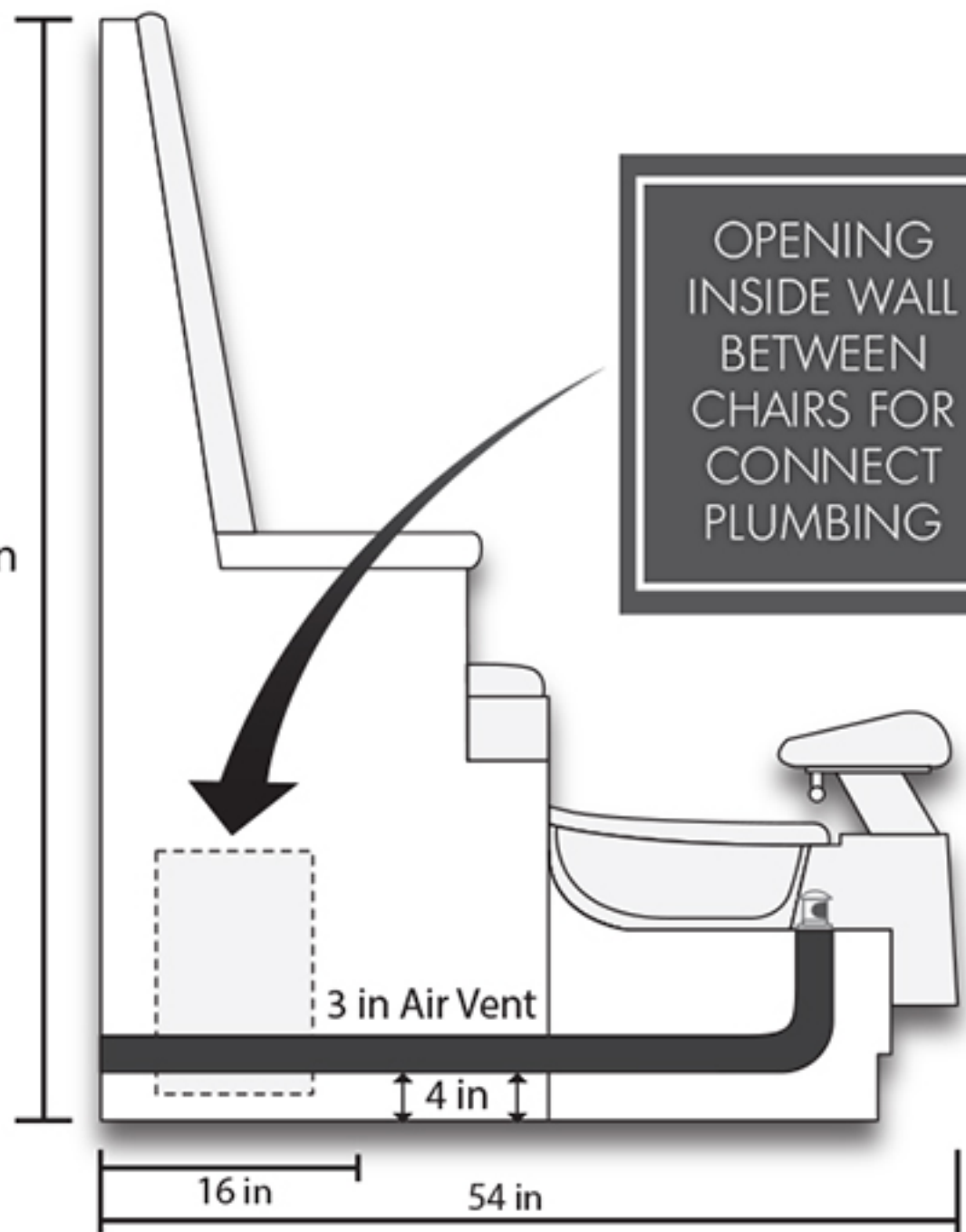
CHAIR DIAGRAM

with optional

AIR VENTS

NOTE: Not all chairs are equipt with Air Vents

68 in



BACKVIEW OF BASE

NOTE:

1ST DRAIN SHOULD BE AT

18 INCHES

THERE AFTER, DRAINING SPACE SHOULD BE

36 INCHES

AIR VENT SHOULD BE AT **9 INCHES**

