

Identifying parts for V-SPORT-T Model

HEAD REST

HEAD REST
CUSHION
WITH MASSAGE

MASSAGE
CONTROLLER
POCKET

INFINITY
OVERFLOW

ADJUSTABLE
FOOT RESTS

HOT/COLD
WATER
VALVE

DRAIN PUMP
CONTROL
(ADDITIONAL
PURCHASE)

AIRJET
SWITCH

EASYDRAIN
PULL
HANDLE

ADJUSTABLE
BACKREST

ARMREST

MANICURE
TRAY

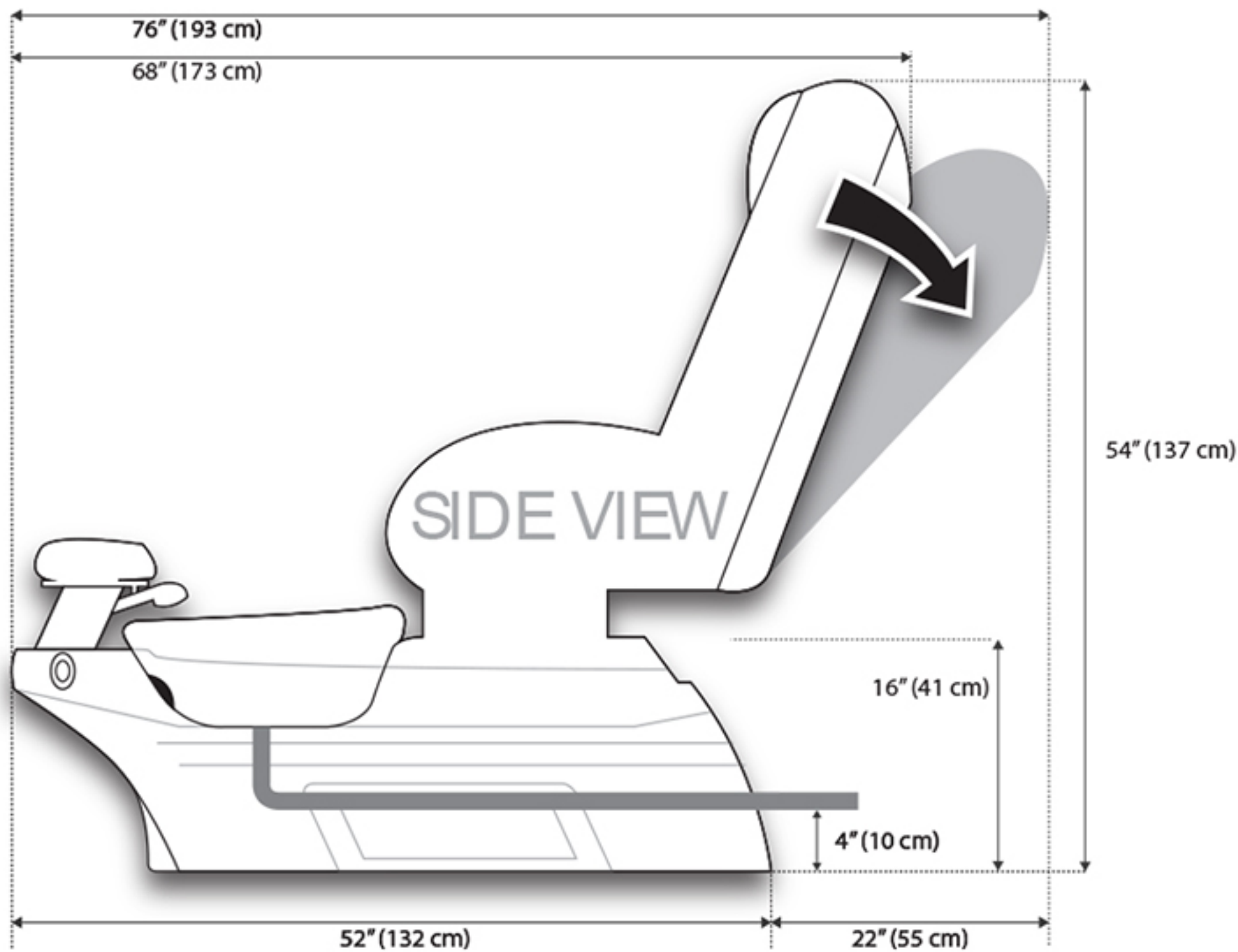
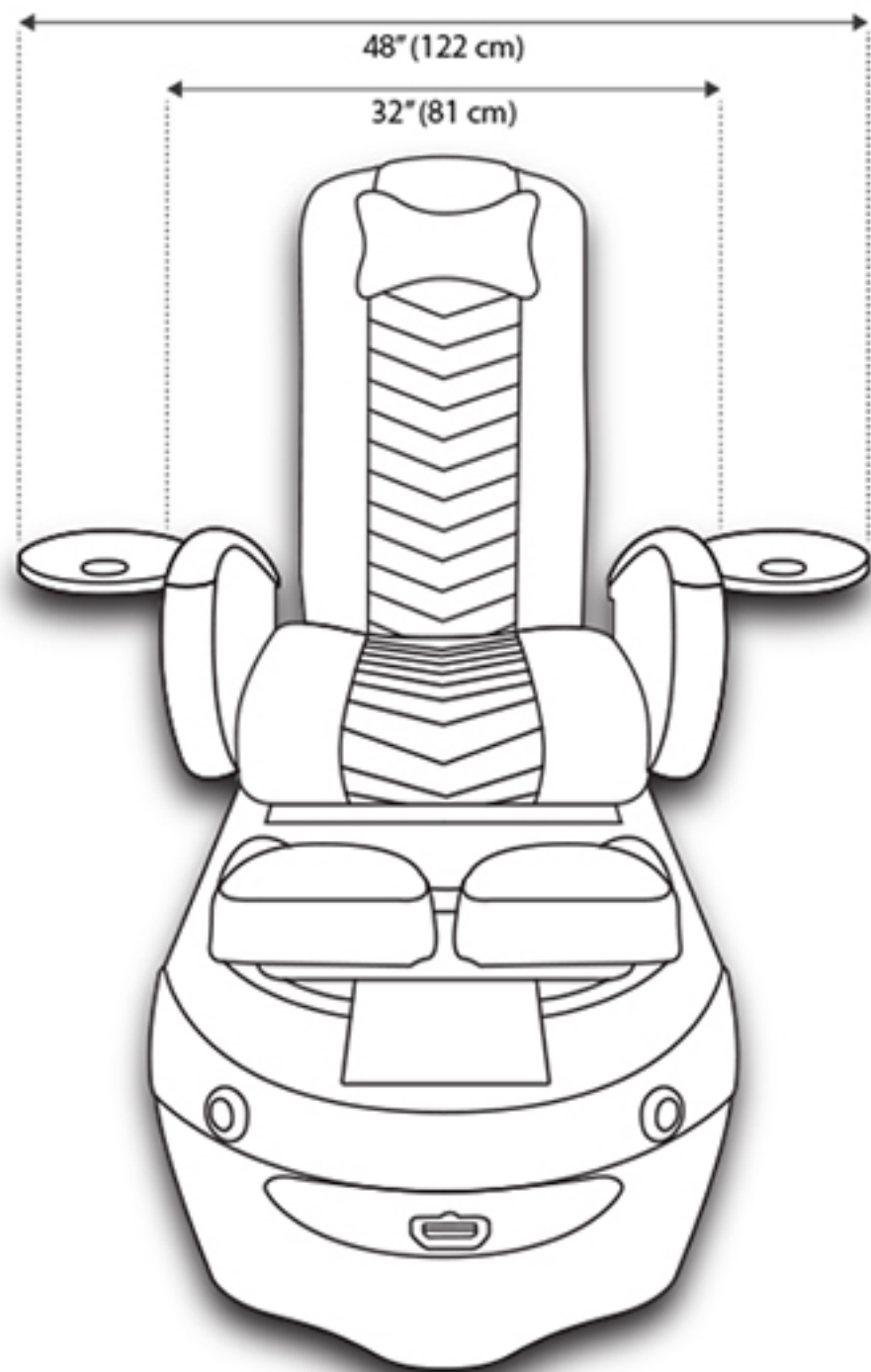
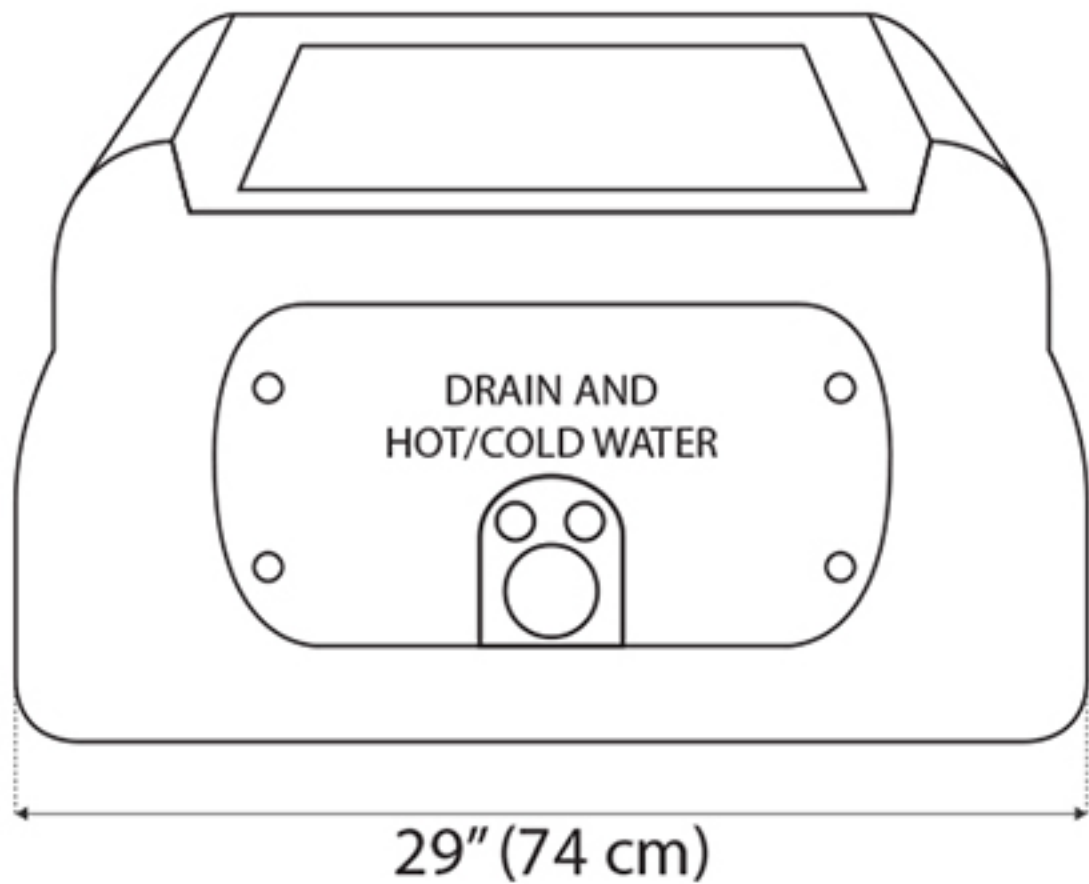
CONTÉGO
JET-LINER
CONNECTION

AIR VENT
(ADDITIONAL PURCHASE)



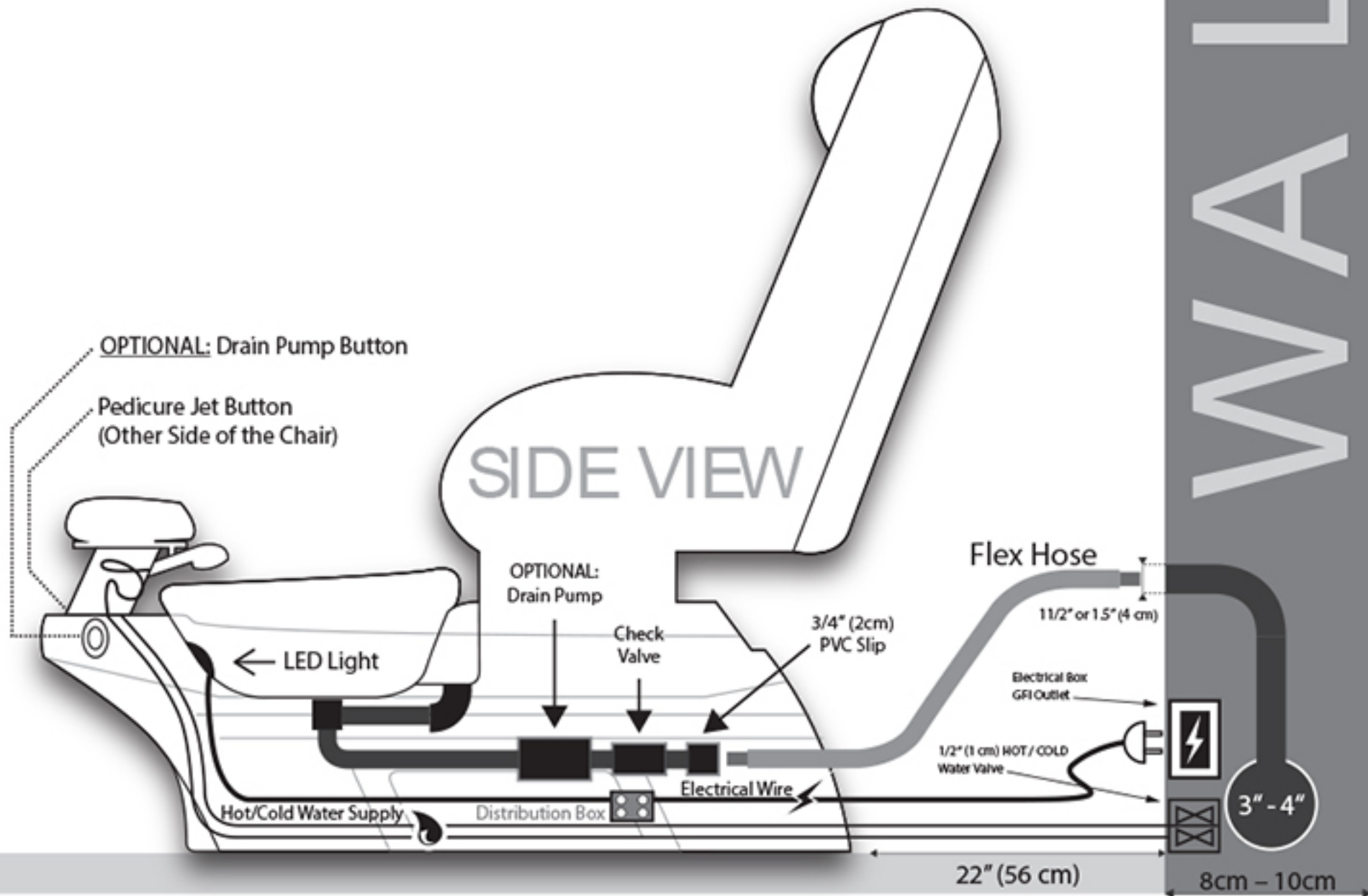
CHAIR DIAGRAMS

With Dimensions



ABOVE GROUND PLUMBING

With Optional Drain Pump

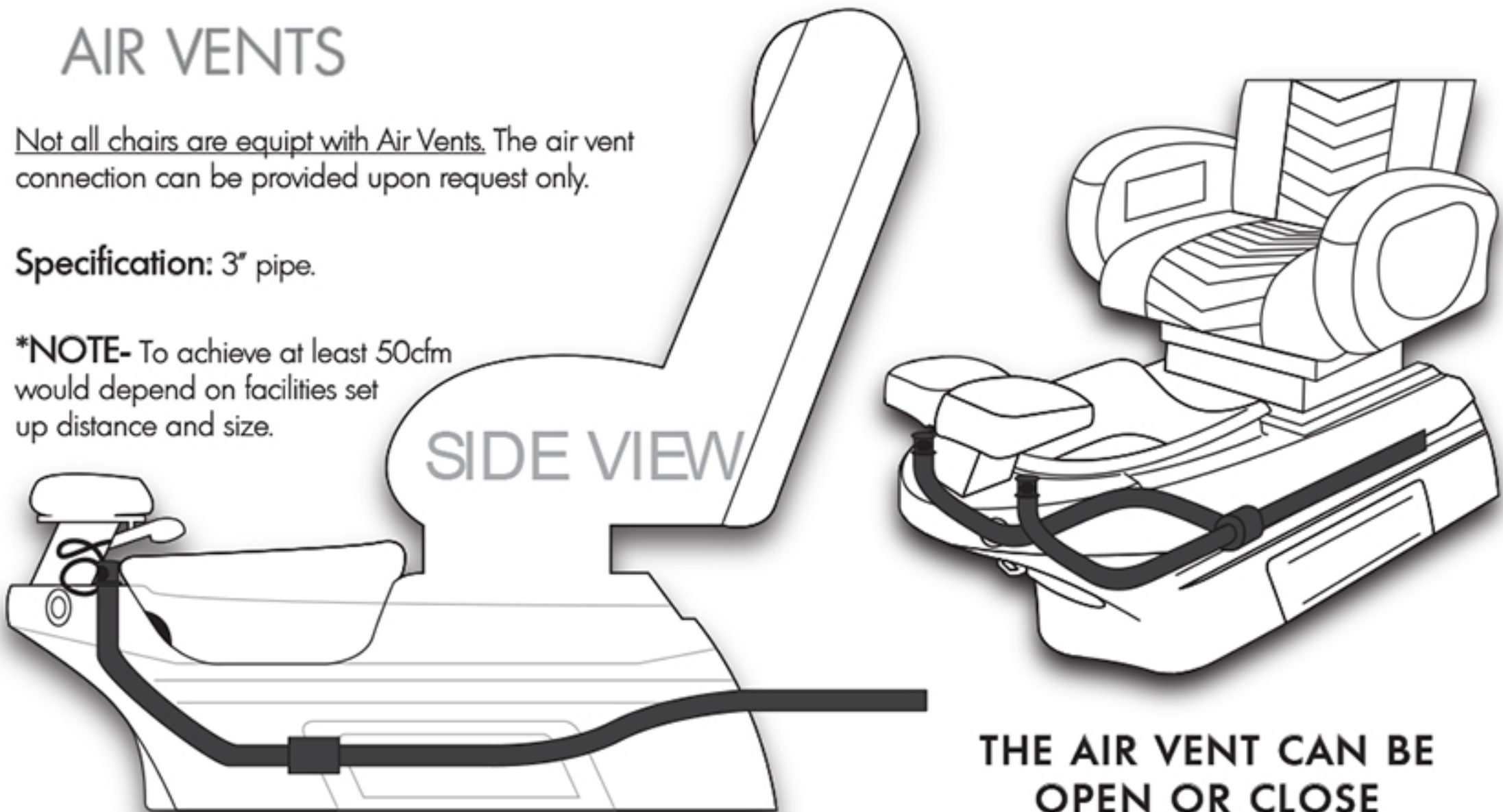


AIR VENTS

Not all chairs are equip with Air Vents. The air vent connection can be provided upon request only.

Specification: 3" pipe.

***NOTE-** To achieve at least 50cfm would depend on facilities set up distance and size.



THE AIR VENT CAN BE OPEN OR CLOSE

UNDERGROUND PLUMBING

The complex diagram below illustrates the ideal placement and sources of the water, drainage, and electrical power for the V-SPORT-T Pedicure Spa Chair. The utilities should be placed exactly within the footprint of the whole chair.

