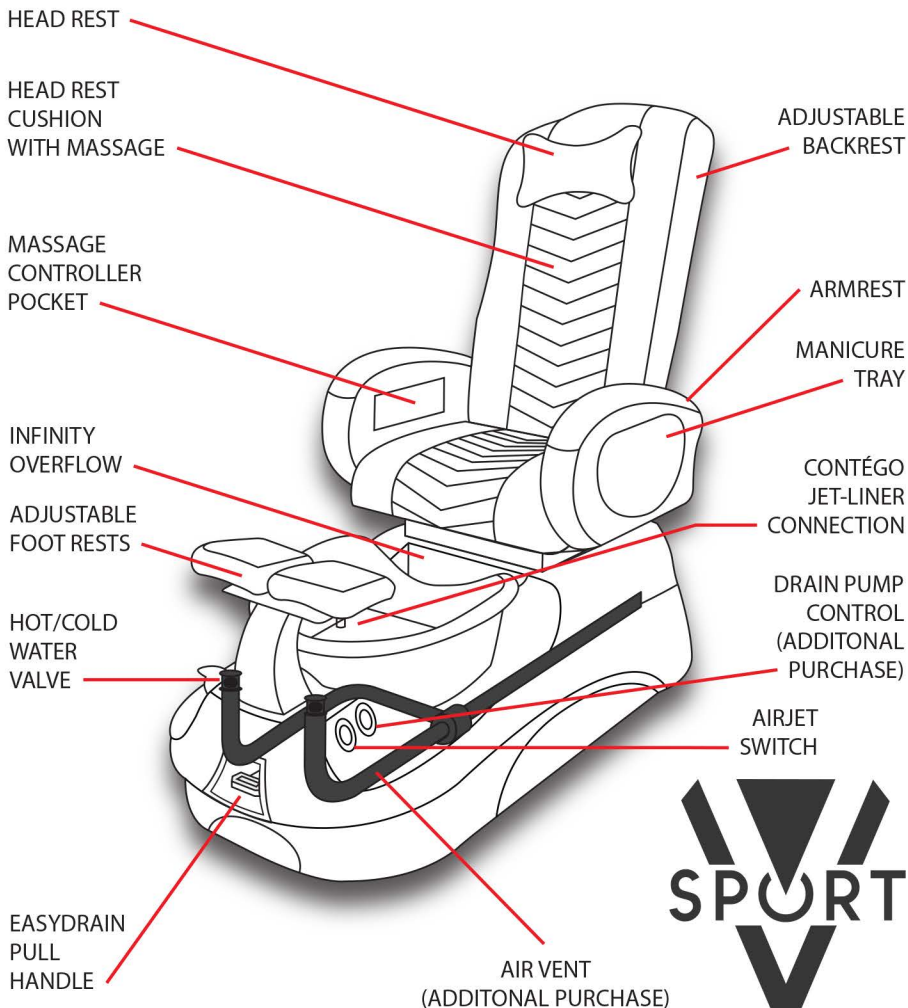
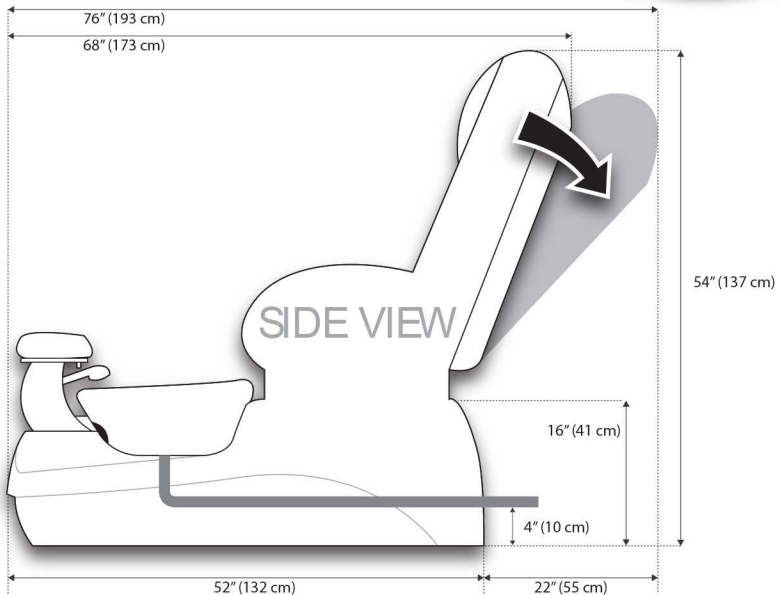
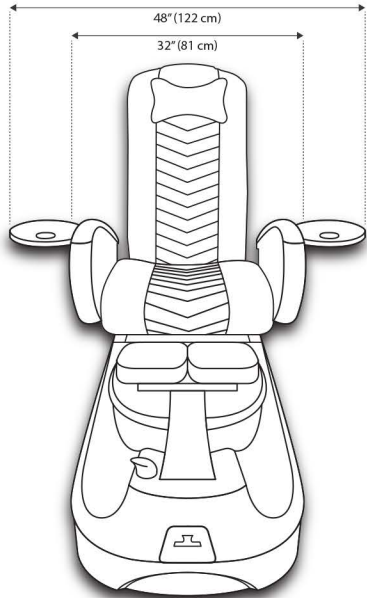
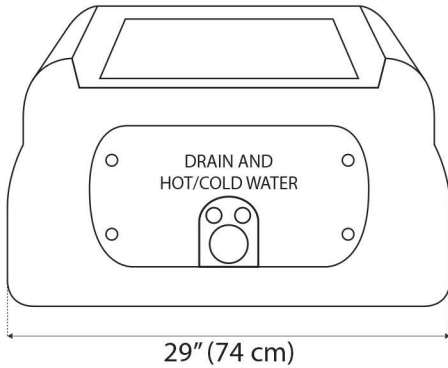


Identifying parts for V-SPORT-N Model



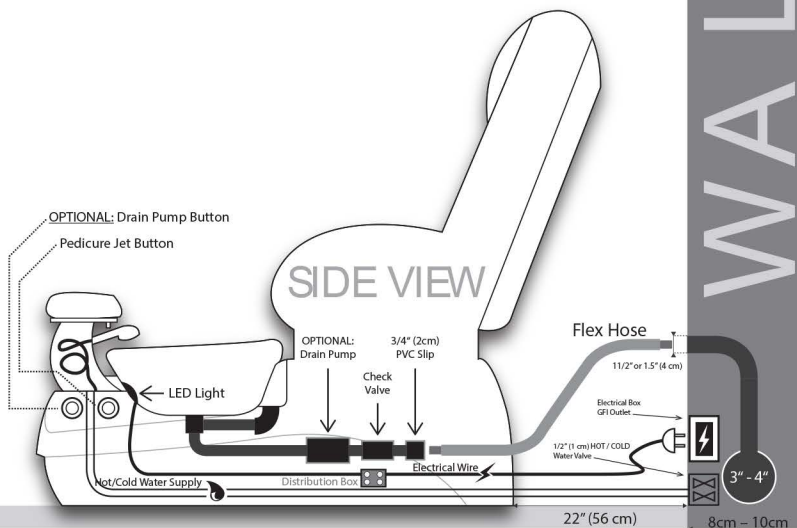
CHAIR DIMENSIONS

With Dimensions



ABOVE GROUND PLUMBING

With Optional Drain Pump

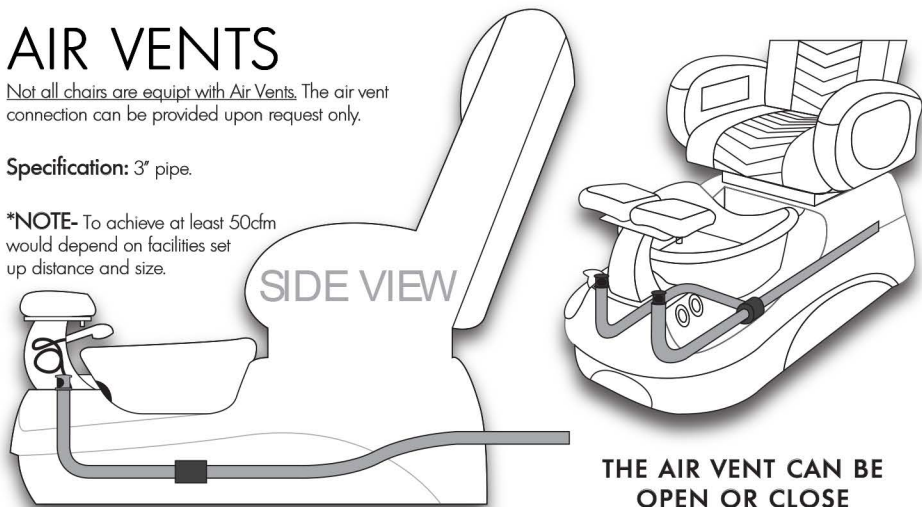


AIR VENTS

Not all chairs are equip with Air Vents. The air vent connection can be provided upon request only.

Specification: 3" pipe.

***NOTE-** To achieve at least 50cfm would depend on facilities set up distance and size.



UNDERGROUND PLUMBING

The complex diagram below illustrates the ideal placement and sources of the water, drainage, and electrical power for the V-SPORT-N Pedicure Spa Chair. The utilities should be placed exactly within the footprint of the whole chair.

WALL

