



MANUAL LABEL

DOWNLOAD THE hOn APP



INSTRUCTION MANUAL

CONTENTS

- Instructions for safe use..... P2
- 1. Getting to know your cleaner..... P3
- 2. Preparing your cleaner..... P4
- 3. Using your cleaner
 - 3.1 Upright mode..... P5
 - 3.2 Upright - Accessory mode..... P6
 - 3.3 PUSH & LIFT - Above floor mode..... P7
- 4. Cleaner maintenance
 - 4.1 Dust bin..... P8
 - 4.2 Dust bin - Allergy users..... P8
 - 4.3 Filters..... P9
 - 4.4 Brushbar P10
 - 4.5 Clearing a blockage..... P10
- 5. Troubleshooting..... P11
- 6. Important information..... P11

INSTRUCTIONS FOR SAFE USE

This appliance should only be used for domestic cleaning, as described in this user guide. Please ensure that this guide is fully understood before operating the appliance.

Do not leave the appliance plugged in. Always switch off and remove the plug from the socket after use, or before cleaning the appliance or any maintenance task.

This appliance can be used by children aged from 8 years and above and persons with reduced physical, sensory or mental capabilities or lack of experience and knowledge if they have been given supervision or instruction concerning use of the appliance in a safe way and understand the hazards involved. Children shall not play with the appliance. Cleaning and user maintenance shall not be made by children without supervision.

If the power cord is damaged stop using the appliance immediately. To avoid a safety hazard, an authorised Hoover service engineer must replace the power cord.

Keep hands, feet, loose clothing and hair away from rotating brushes.

Use only attachments, consumables or spares recommended or supplied by Hoover.

When using cleaning tools ensure that the appliance is kept in the upright (parked) position. This will avoid possible damage to the carpet or floor covering. When cleaning stairs, do not position the appliance above you.

Static electricity: Some carpets can cause a small build up of static electricity. Any static discharge is not hazardous to health.

Do not use your appliance outdoors, on any wet surface or for wet pick up.

Do not pick up hard or sharp objects, matches, hot ashes, cigarette ends or other similar items.

Do not spray with or pick up flammable liquids, cleaning fluids, aerosols or their vapours.

Do not run over the power cord when using your appliance or remove the plug by pulling on the power cord.

Do not continue to use your appliance if it appears faulty.

Hoover service: To ensure the continued safe and efficient operation of this appliance we recommend that any servicing or repairs are only carried out by an authorised Hoover service engineer.

Do not stand on or wrap the cord around arms or legs when using your appliance.

Do not use the appliance to clean animals or people.

When using the cleaning tools, ensure to always steady the appliance with your other hand. This will ensure that the appliance does not fall while in use.

This product contains magnetic material. Please contact your doctor if you have any questions on whether this might affect your implanted medical device.




WARNING: A thermal cut out switches off the appliance to prevent overheating if it is used when full or there is a blockage or dirty filters. If this should happen then switch off, unplug and correct the fault. It will take approximately 1 hour for the cut out to automatically reset.

The Environment

The symbol on this appliance indicates that this appliance may not be treated as household waste. Instead it must be handed over to the applicable collection point for the recycling of electrical and electronic equipment. Disposal must be carried out in accordance with local environmental regulations for waste disposal. For more detailed information about treatment, recovery and recycling of this appliance, please



contact your local city office, your household and waste disposal service or the shop where you purchased the appliance.

 This appliance complies with the European Directives 2014/35/EU, 2014/30/EU and 2011/65/EU.

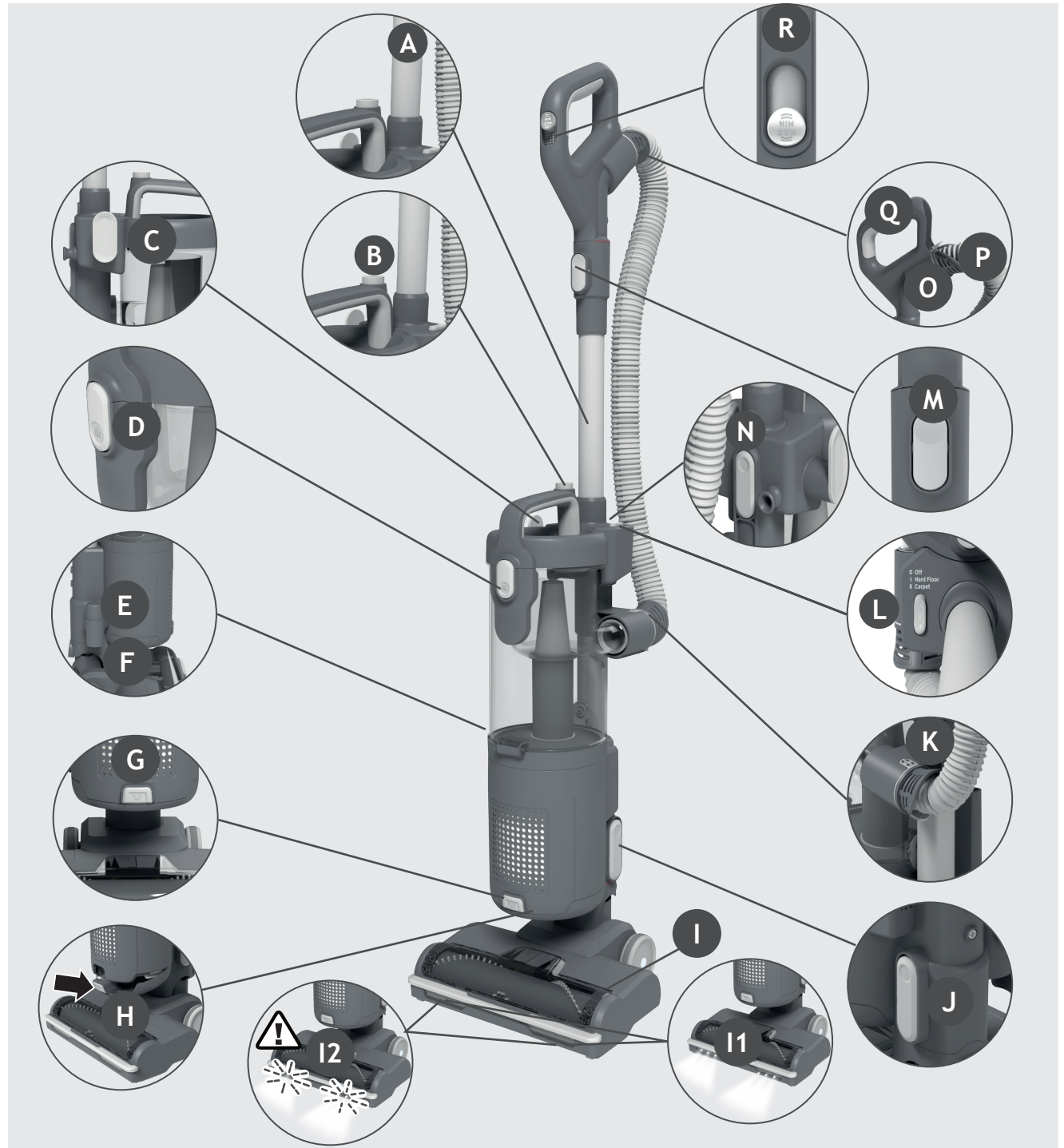
CANDY HOOVER GROUP S.r.l. Via Comolli, 16, 20861 Brugherio (MB) Italy

1. GETTING TO KNOW YOUR CLEANER

Thank you for purchasing your new Hoover upright vacuum cleaner HL4.

MAIN COMPONENTS:

- A. Wand
- B. Dust bin release button
- C. Upper cord storage hook
- D. Dust bin lid release button
- E. Accessory holder
- F. Lower cord storage hook
- G. Exhaust filter cover release button
- H. Exhaust filter cover
- I. Floorhead
 - I.1 Floorhead LED lights
 - I.2 Flashing LED brushbar warning lights
- J. PUSH&LIFT button
- K. Lower hose connector
- L. Power switch
- M. Handle release button
- N. Wand release button
- O. Upper hose connector
- P. Hose
- Q. Handle
- R. Suction control

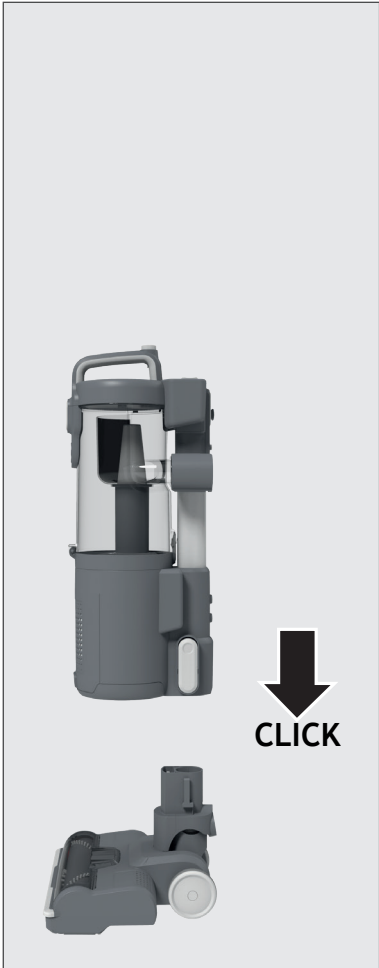


2. PREPARING YOUR CLEANER

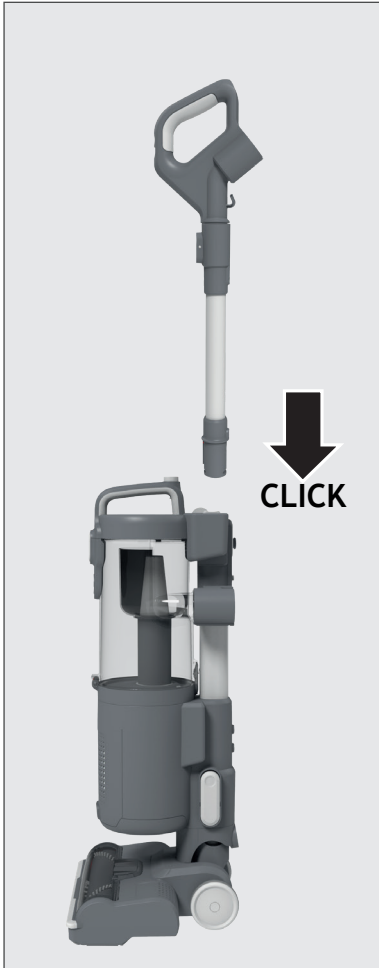
IMPORTANT: Accessories included are dependant on your model. Full specification details for your product are included on your product packaging.

Remove all product parts from the packaging and assemble your cleaner.

STEP 1:
Fit the main product unit into the floor nozzle.



STEP 2:
Fit the wand into the main product unit.



STEP 3:
Fit the hose connector into the handle assembly.



STEP 4:
Fit the lower hose connector to the main product.



STEP 5:
Fit the crevice tool to the accessory holder.



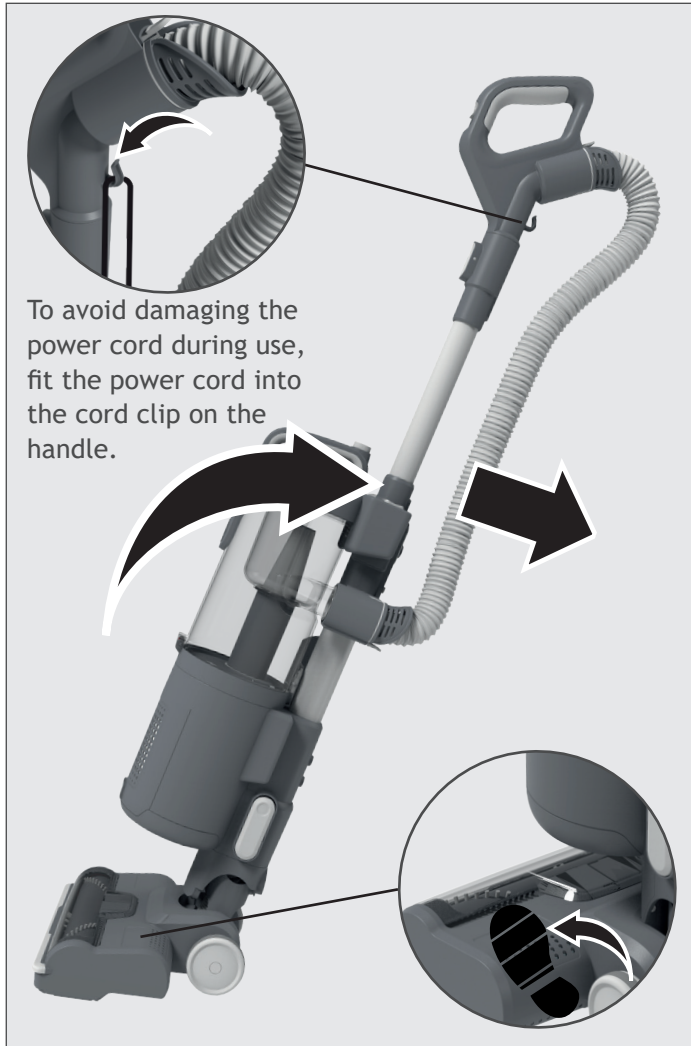
3. USING YOUR CLEANER

3.1 UPRIGHT MODE

To use your product in Upright mode:

STEP 1:

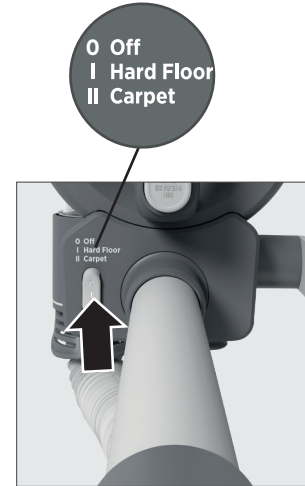
Plug the power cord into the socket. Place your foot onto the nozzle and pull the handle backwards to your desired operating level.



To avoid damaging the power cord during use, fit the power cord into the cord clip on the handle.

STEP 2:

Select the setting according to the surface:
O - Power Off
I - Hard Floor mode: For hard floors, the brushbar works at a low speed.
II - Carpet mode: For carpets, the brushbar works at high speed for deep cleaning.



STEP 3:

Adjust the suction control located on the handle to the required level suitable for your floor covering.

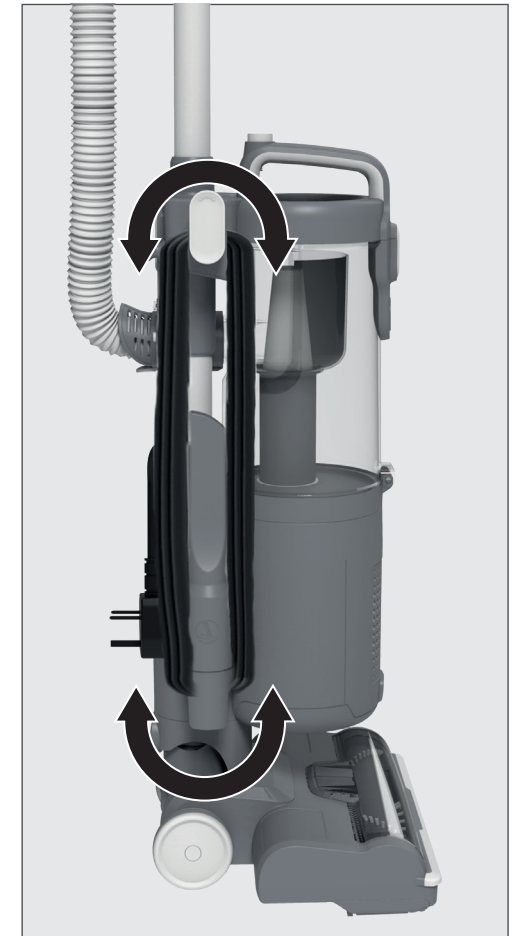
1. MIN SETTING: Minimum suction level for long pile carpets or rugs.
2. MEDIUM SETTING: Medium suction level for medium pile carpets.
3. MAX SETTING: Maximum suction level for hard floors or short pile carpets.



NOTE: If the LED lights (brushbar warning lights) on the front of the floorhead start flashing (I.2), check that there is no blockage (see page 10) or that the power switch is on the correct Carpet or Hardfloor mode. If flashing still occurs make an adjustment to the suction control located on the handle to medium or minimum setting.

STEP 4:

Turn your cleaner off by switching the Power Switch to “O - Power Off” position. Remove the plug from the power socket and wind the power cable around upper and lower cord storage hook.



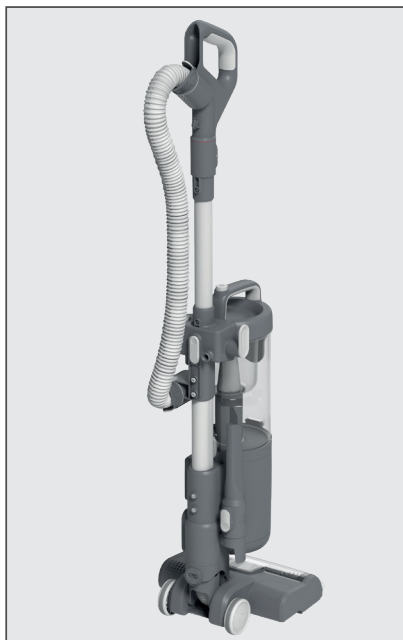
3. USING YOUR CLEANER

3.2 UPRIGHT - ACCESSORY MODE

To use your product in Upright-Accessory mode:

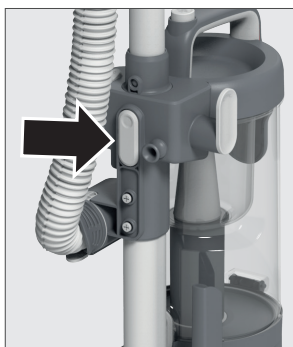
STEP 1:

Place your product in the upright position.



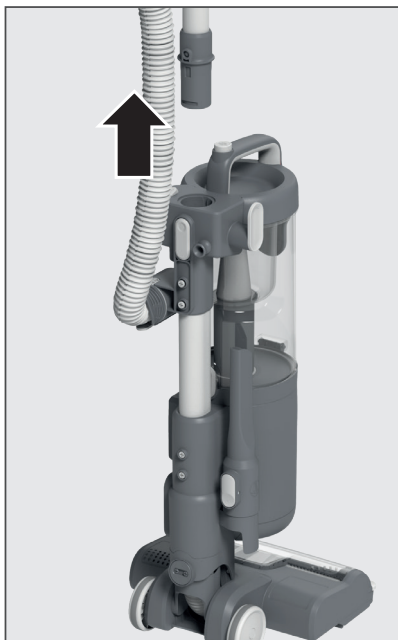
STEP 2:

Press the wand release button to release the wand.



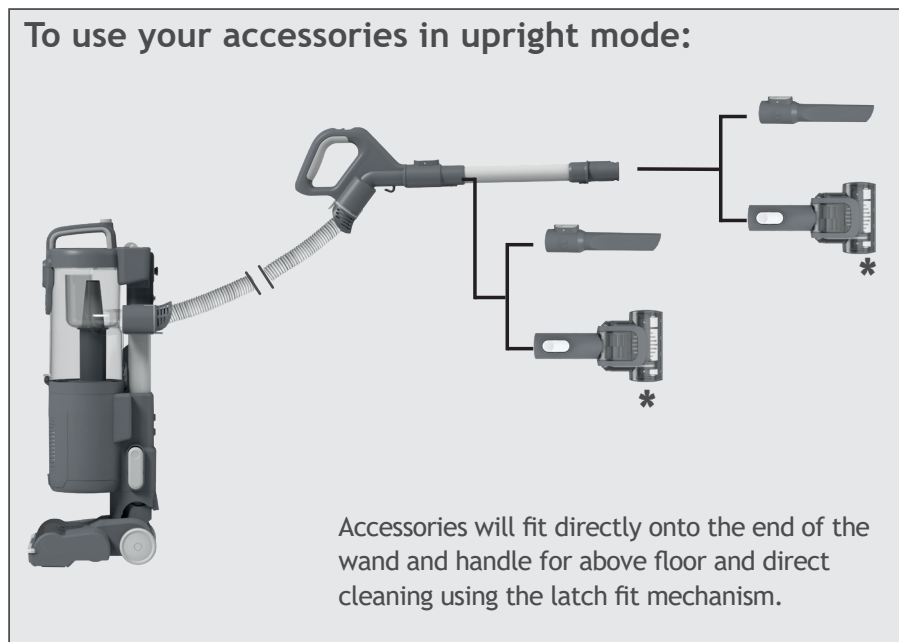
STEP 3:

Remove the handle & wand from the main product.



STEP 4:

Attach your required accessory to the end of the wand or handle.



Accessories will fit directly onto the end of the wand and handle for above floor and direct cleaning using the latch fit mechanism.

IMPORTANT: When using cleaning tools in upright accessory mode, please hold or support the cleaner in a safe position whilst using the wand.

3. USING YOUR CLEANER

3.3 PUSH&LIFT ABOVE FLOOR MODE

To use your product in PUSH&LIFT above floor mode:

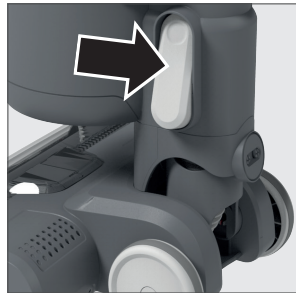
STEP 1:

Place your product in the upright position.



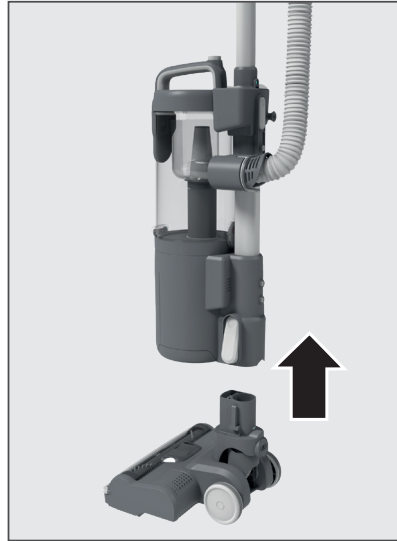
STEP 2:

Press the PUSH&LIFT button to release the portable unit.



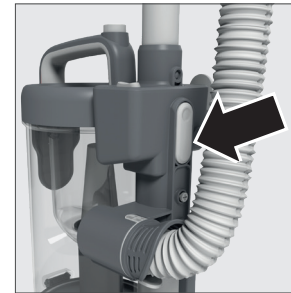
STEP 3:

Remove the main unit from the floorhead.



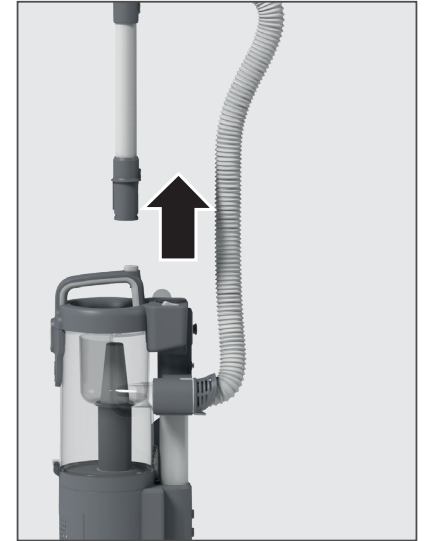
STEP 4:

Press the wand release button to release the wand.



STEP 5:

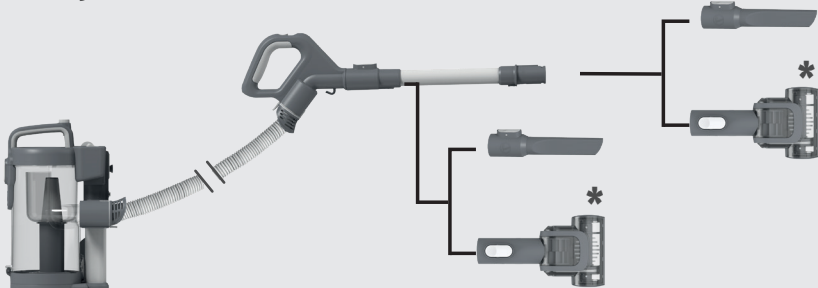
Remove the handle & wand from the main product.



STEP 6:

Attach your required accessory to the end of the wand or handle.

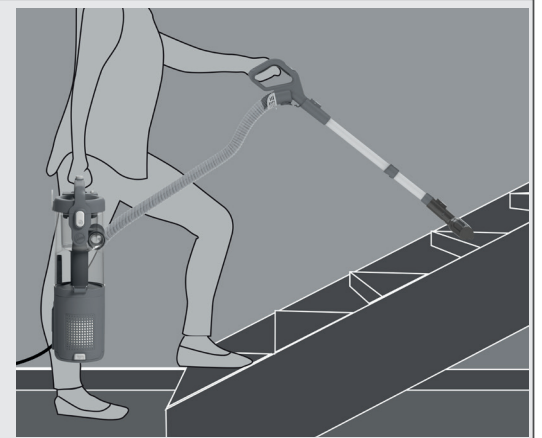
To use your accessories in PUSH&LIFT mode:



Accessories will fit directly onto the end of the wand and handle for above floor and direct cleaning using the latch fit mechanism.

* Certain Models Only

PUSH&LIFT above floor mode converts your cleaner into a versatile & portable vacuum for all your above floor cleaning needs, such as stairs & even the car.



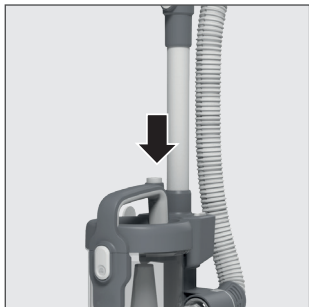
4. CLEANER MAINTENANCE

4.1 DUST BIN

IMPORTANT: Before performing any maintenance task, always ensure your product is switched off and unplugged from the electricity supply.

Emptying the dust bin

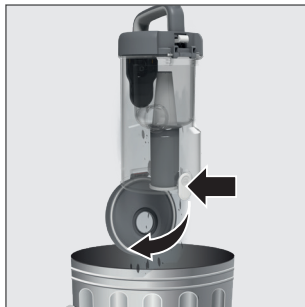
STEP 1: Press and hold the dust bin release button.



STEP 2: Remove the dust bin assembly from your cleaner.



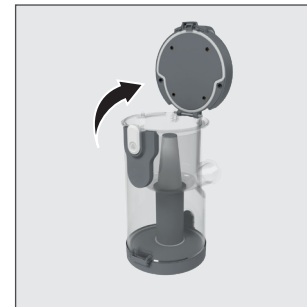
STEP 3: Press the dust bin empty button over a rubbish bin to empty.



STEP 4: Press the dust bin lid button to release the bin lid.



STEP 5: Open the dust bin lid.



STEP 6: Remove excess debris over a rubbish bin.



To refit the dust bin to your cleaner, follow the above instructions in reverse.

4. CLEANER MAINTENANCE

4.2 DUST BIN - ALLERGY SUFFERERS

Emptying the dust bin

When emptying any vacuum cleaner it is difficult to avoid exposure to dust.

To minimize this risk, please ensure that you encase the dust bin in a large bag to empty it and close the bag as tightly as possible around the dust bin.

Remove the dust bin and close the bag as tightly and quickly as possible and dispose of this immediately.

It is advised to wear disposable gloves and a face mask while emptying the cleaner.

If possible, ask a non allergy sufferer to empty the dust bin when required.

4. CLEANER MAINTENANCE

4.3 FILTERS

IMPORTANT: for optimum performance, always keep your filters clean. We recommend that the filters should be washed at least once a month.

Cleaning the pre-motor filters

STEP 1: Remove the dust bin assembly from your cleaner.



STEP 2: Remove both pre-motor filters from the main product unit.



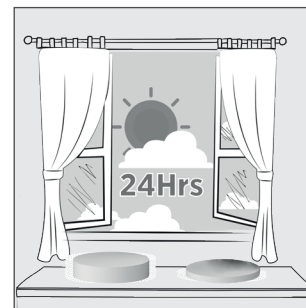
STEP 3: Remove any excess debris from the filters.



STEP 5: Clean the filters using lukewarm water.



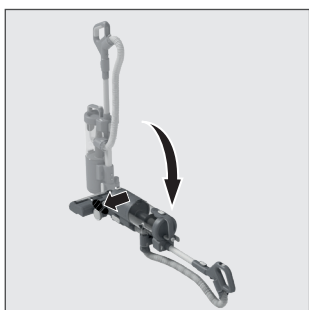
STEP 6: Leave the filters to dry for 24Hrs before re-fitting.



To refit the pre-motor filters (foam filter being on top) to your cleaner, follow the instructions above in reverse.

Cleaning the exhaust filter

STEP 1: Lay down main product placing your foot onto the nozzle and pulling the handle backwards completely on the ground.



STEP 2: Push the exhaust filter cover release button upwards. Remove the exhaust filter cover from your cleaner.



STEP 3: Press the exhaust filter release latches and remove the filter.



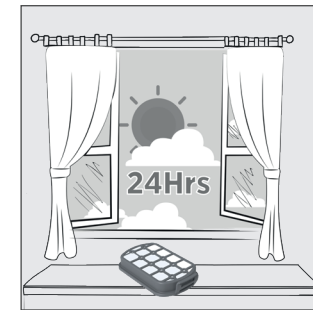
STEP 4: Remove any excess debris from the filter.



STEP 5: Clean the filter using lukewarm water.



STEP 6: Leave the filter to dry for 24Hrs before re-fitting.



To refit the exhaust filter to your cleaner, follow the instructions above in reverse.

IMPORTANT: Do not refit the filters until they are completely dry.

4. CLEANER MAINTENANCE

4.4 BRUSHBAR

Thanks to ANTI-TWIST, your new upright vacuum features an integrated comb which helps to prevent hair wrapping around the brushbar. However, if your cleaner is not picking up efficiently, or the LED lights on the nozzle are flashing (brushbar status indicator), your brushbar may need to be cleaned.

STEP 1: Turn the cleaner over to access the nozzle. Using a coin or screwdriver, rotate 3 x locking clips 90° to unlock the brush guard.

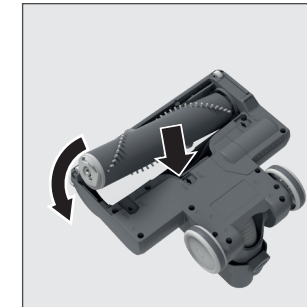
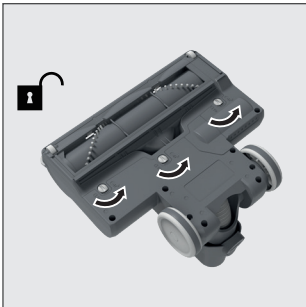
STEP 2: Remove the brushbar guard.

STEP 3: Lift the brushbar end latch to release the brushbar and remove from the nozzle.

STEP 4: Remove the brushbar from nozzle and remove any excess debris.

STEP 5: Refit the brushbar to the nozzle.

STEP 6: Using a coin or screwdriver, rotate 3 x locking clips 90° to lock the brush guard.

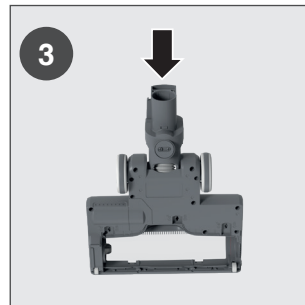
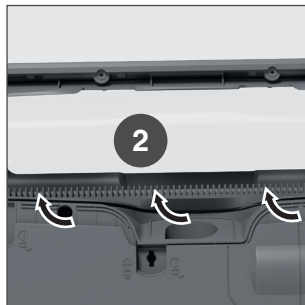


4. CLEANER MAINTENANCE

4.5 CLEARING A BLOCKAGE

FLOOR NOZZLE:

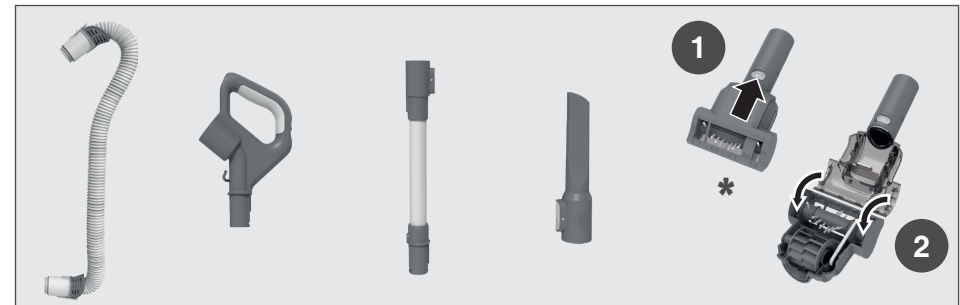
1. Remove the brushbar to visually identify any obstructions and remove them.
2. Thoroughly clean underneath the comb area to remove excess dust and debris.
3. Visually check the nozzle neck for any blockages and remove them.



OTHER COMPONENTS & ACCESSORIES:

Remove the hose, handle, wand, crevice tool and mini turbo nozzle from your product.

Vigorously shake the hose and visually check all components for any obstructions and remove them.



* Certain Models Only

5. TROUBLESHOOTING

The following is a list of commonly encountered problems and solutions.

Fault	Solutions
The cleaner does not switch on.	<i>Unplug the cleaner and check the power supply with another appliance.</i>
Cleaner is not picking up debris.	<i>Empty the dust bin and clean the filters. (see pages 8 & 9)</i>
	<i>Check your brushbar for excessive debris and blockages. (see page 10)</i>
	<i>Check your floorhead, hose, handle and accessories for blockages. (see page 10)</i>
Brushbar is not turning. The frontal LED lights on the floorhead (brushbar warning lights) are flashing.	<i>a. Check your brushbar for excessive debris and blockages. (see page 10)</i> <i>b. Check the power switch is on the correct Carpet or Hardfloor mode. (see page 5)</i> <i>c. Adjust the suction control located on the handle to medium or minimum setting. (see page 5)</i>
Cleaner cuts out.	<i>Your cleaner is fitted with a thermal cut out to prevent overheating by automatically turning your cleaner off. Once activated, as a safety precaution, unplug the cleaner and do not turn on or use again for 1 hour. If your cleaner does cut out, perform all maintenance tasks contained in the manual before resuming. (see pages 8,9 & 10)</i>

If there is any doubt call the our Service Office for advice, they may be able to assist you over the telephone. A service charge will be made if the cleaner is examined and found to be in working order, has not been assembled in accordance with these instructions or has been used incorrectly.

6. IMPORTANT INFORMATION

Hoover Spares and Consumables

Always replace parts with genuine Hoover spares. These are available from your local dealer or direct from Hoover. When ordering parts always quote your model number.

Quality

Hoover's factories have been independently assessed for quality. Our products are made using a quality system which meets the requirements of ISO 9001.

Your Guarantee

The guarantee conditions for this appliance are as defined by our representative in the country in which it is sold. Details regarding these conditions can be obtained from the dealer from whom the appliance was purchased. The bill of sale or receipt must be produced when making any claim under the terms of this guarantee.

Subject to change without notice.

