



Date	_____
Project	_____
Location	_____

**Undici** is a compact, elegant, versatile machine that's easy to use, adjust and maintain. **UNDICI** is made of steel and aluminium. It has a fixed-nozzle thermosyphon system that's adaptable and high-performing, guaranteeing excellent results in the cup. The new, mechanical button pad is in metal and lies flush with the machine. It's user-friendly and precise, thanks to the LED lights. **UNDICI** comes in 3 colours (black, white and red) and 3 versions (semi-automatic, automatic and automatic "Coffee-to-go" for cups up to 14.5 cm high), with 1, 2 or 3 groups.

The machine can be personalised thanks to the wide front and rear logo strip.

- Compact size
- Reliable, high-performing thermal system
- New button pads with LEDs
- Can be personalised

### INNOVATIVE THERMAL SYSTEM

Fixed-nozzle thermosyphon system that's adaptable and high-performing, guaranteeing excellent results in the cup.

### ROBUST AND RELIABLE

**UNDICI** is made of steel and aluminium to guarantee the best in robustness and reliability.

### REDUCED SIZE AND EASY TO USE

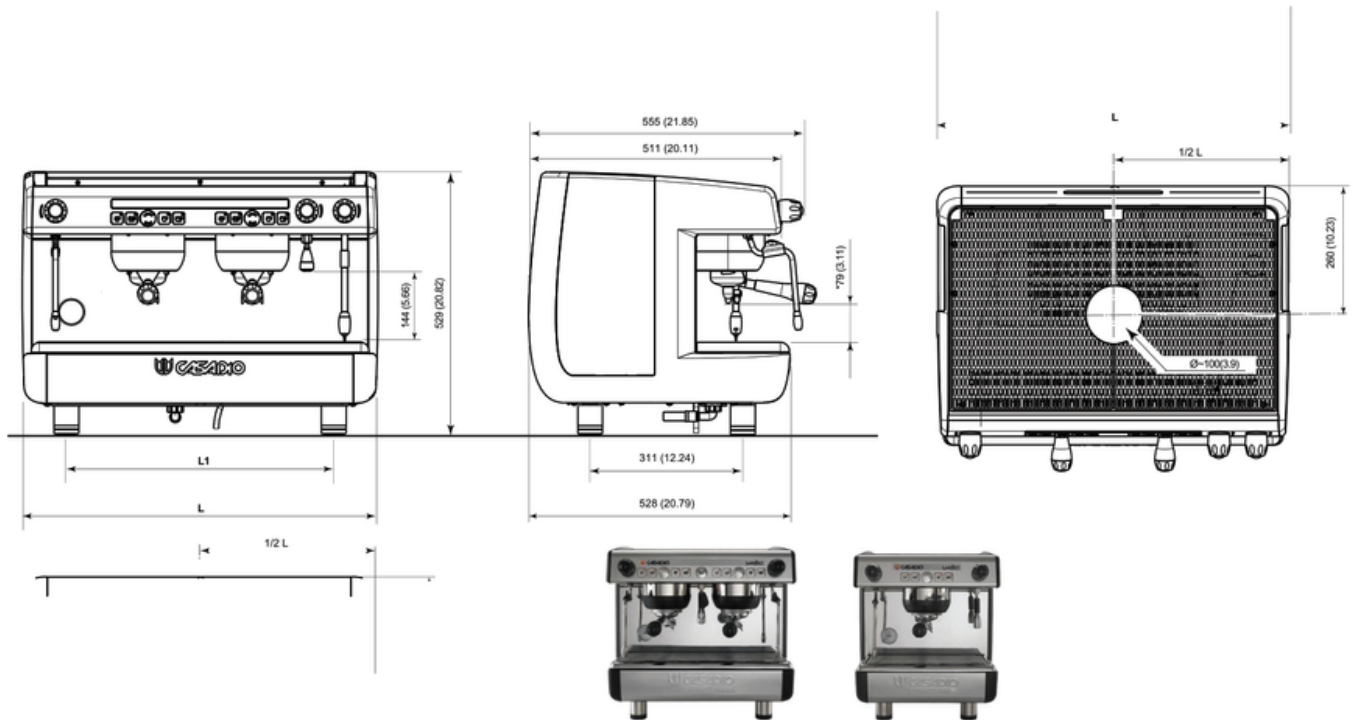
**UNDICI** is a compact, elegant, versatile machine that's easy to use, adjust and maintain.

### CAN BE PERSONALISED

**UNDICI** can be personalised thanks to the new, mechanical button pad with LEDs that make it user-friendly and precise.



# Technical Data



		A1 A1 COFFEE TO GO S1	A2 A2 COFFEE TO GO S2	A2 COMPACT	
Multi-direction stainless steel steam wands		1	V~ 1	V3~ 2	2
Hot water dispenser		1	1	1	1
Boiler capacity		5 l	10,5 l	10,5 l	7 l
Max. power at	100÷120V~ 60Hz - 1ph 1.2 - 1.7 KW	2800-3300	2800-3300	-	2800 - 3300
		-	-	3800-4500	-
Width x Depth x Height		432x528x570 (mm)	712x528x570 (mm)	550x528x529 (mm)	

**Receptacle**  
Customer Must supply outlet to match plug.  
Receptacle must be a max of 40" from machine.



CSA 6-30R