



Electric deck oven for pizza

2 decks composition

iDeck consists of one or two baking chambers and an optional leavening compartment or stand. The oven baking surface is made of refractory material that provides perfectly even heat distribution over the whole surface, making this oven particular suitable to bake pizza, either directly on the surface or in trays. Temperature adjustment is electro-mechanical, with independent control of the ceiling and floor heating elements. The oven door is hinged at the bottom, with a tempered glass window to check the state of the product while it is baking. The stand comprises a painted metal structure, whereas the leavening compartment has a stainless steel structure and is fitted with a heating thermostat. The leavening compartment can reach a maximum temperature of 65°C (149°F), whereas the maximum temperature of the baking chamber is 450°C (842°F).



FUNCTIONING

- Heating by armoured heating elements
- Separate heating element control by mean contactors that are controlled by thermostats
- Maximum temperature reached 450°C
- Continuous measurement of temperature by probe indicator

CONSTRUCTION

- Front structure made in folded stainless steel
- Oven panels made pre-painted metal sheets
- Door in stainless steel with shutter with hinge at bottom with balancing spring
- Door handle in stainless steel
- Tempered crystal glass
- Control panel on the right front side
- Baking surface in refractory brick
- Upper and lateral structure in aluminized sheet
- Thermal insulation in mineral wool

BAKING ELEMENT INTERNAL DIMENSIONS

Internal height	140 mm
Internal depth	1056 mm
Internal width	1056 mm
Baking surface	1,15 m ²

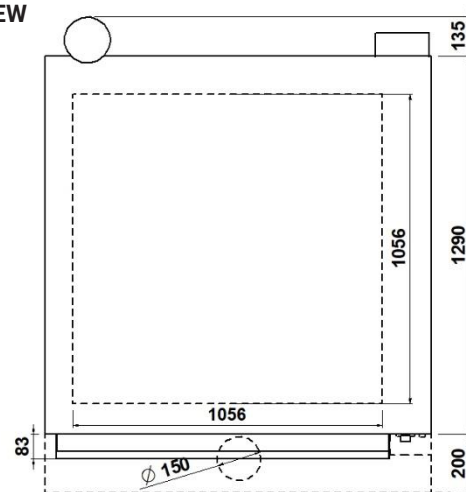
STANDARD EQUIPMENT

- Illumination by halogen lamp
- Independent maximum temperature safety device (only electronic version)

ACCESSORIES

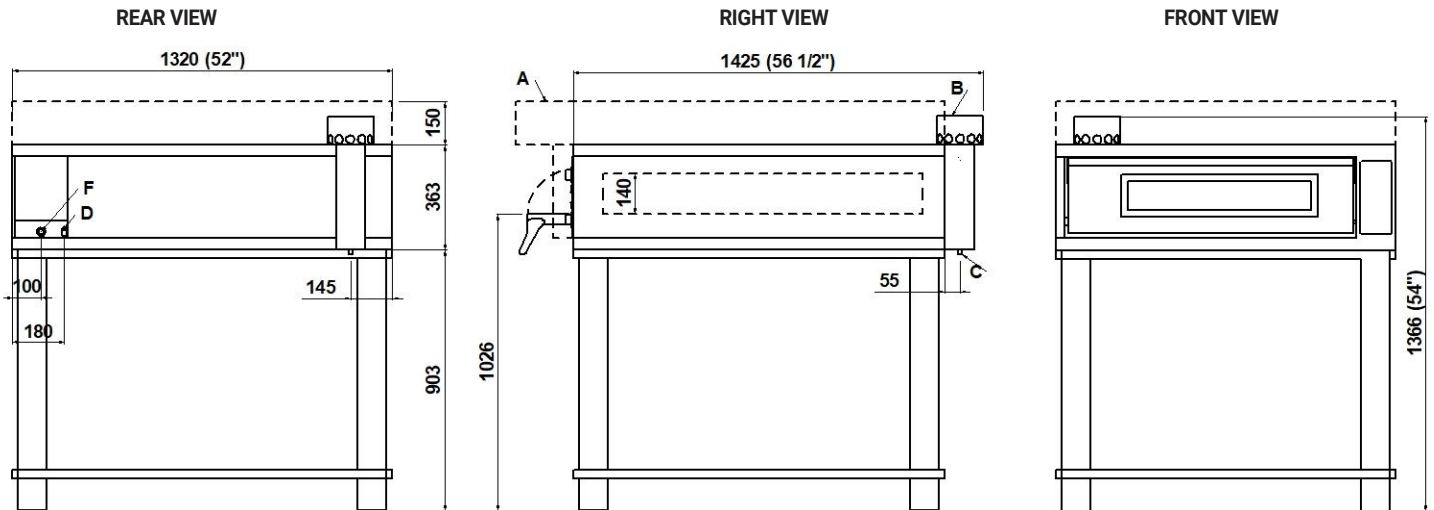
- Prover on wheels height 1000 mm
- Stand height 600, 900 mm
- 4 wheels kit
- Additional trayholder slides
- Stacking kit
- Hood

TOP VIEW



PM 105.105

(assembled with stand height 900mm)



NOTE: The dimensions indicated in the views are in millimeters.

A Ø150 hood steam collector	B Ø INT. 157 steam exhaust	C Ø12 condensate exhaust	D M6 equipotential screw
F fairleads			

EXTERNAL DIMENSIONS

External height	463 mm
External depth	1425 mm
External width	1320 mm
Weight	164 kg

SHIPPING INFORMATION

Packed oven sizes:	
Height	550 mm
Depth	1550 mm
Width	1410 mm
Weight	(164+23) kg

FEEDING AND POWER

Standard feeding	V230 3ph
Frequency	50/60 Hz
Max power	11,6 kW
Average power cons	5,8 kWh

No cord set supplied

TOTAL BAKING CAPACITY

Tray (600x400)mm	4
Pizza diameter 300mm	9
Pizza diameter 450mm	4

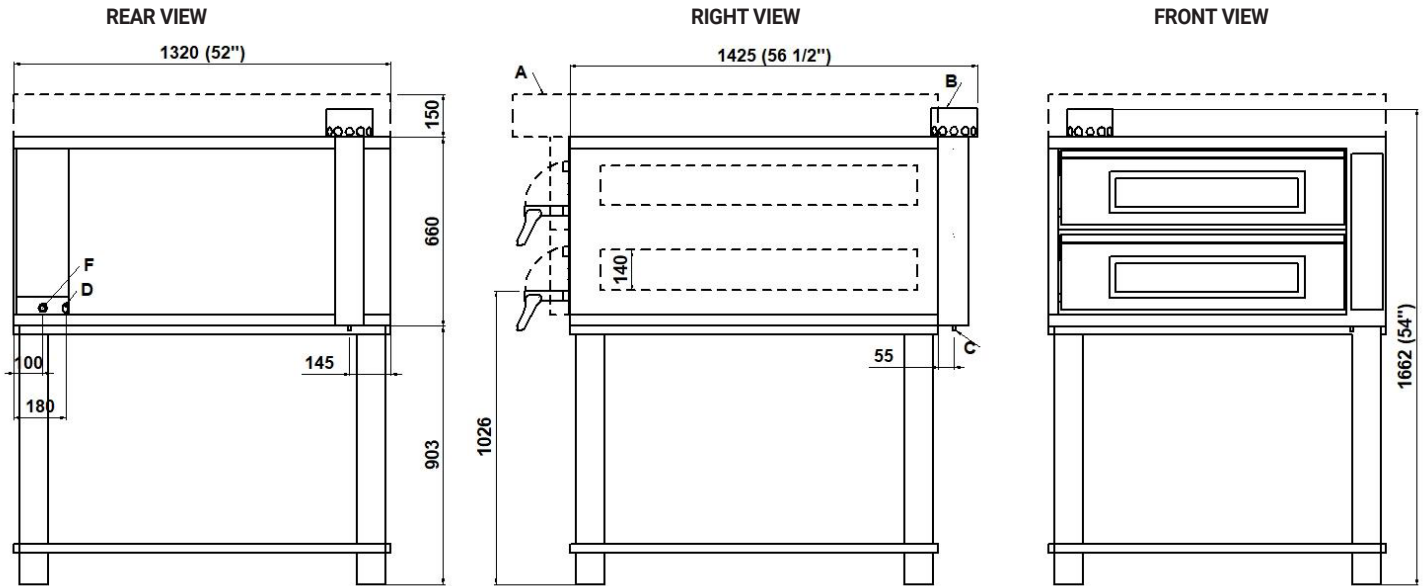
Prover power supply (optional)	
A.C. V230 1ph 60Hz	
Max power	1,5 kW
*Average power cons	0,8 kWh

* This value is subject to variation according to the way in which the equipment is used.

NOTE: MORETTI FORNI S.P.A reserves the right to modify the characteristics of the products illustrated in this publication without prior notice.

PD 105.105

(assembled with stand height 900mm)



NOTE: The dimensions indicated in the views are in millimeters.

A Ø150 hood steam collector	B Ø INT. 157 steam exhaust	C Ø12 condensate exhaust	D M6 equipotential screw
F fairleads			

EXTERNAL DIMENSIONS

External height	760 mm
External depth	1425 mm
External width	1320 mm
Weight	282 kg

SHIPPING INFORMATION

Packed oven sizes:	
Max height	910 mm
Max depth	1550 mm
Max width	1410 mm
Weight	(282+25) kg

FEEDING AND POWER

Standard feeding	V230 1ph
Frequency	50/60 Hz
Max power	23,1 kW
*Average power cons	11,6 kWh
No cord set supplied	
Prover power supply (optional)	
A.C. V230 1ph 60Hz	
Max power	1,5 kW
*Average power cons	0,8 kWh

TOTAL BAKING CAPACITY

Tray (600x400)mm	8
Pizza diameter 300mm	18
Pizza diameter 450mm	8

* This value is subject to variation according to the way in which the equipment is used.

NOTE: MORETTI FORNI S.P.A reserves the right to modify the characteristics of the products illustrated in this publication without prior notice.