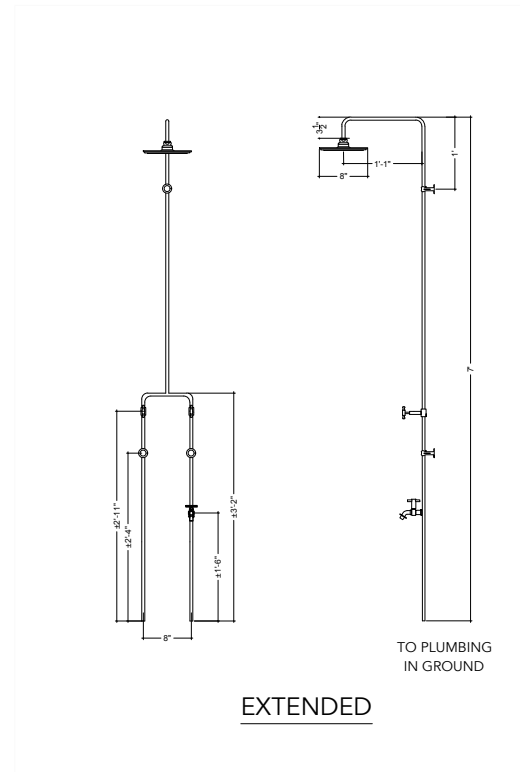
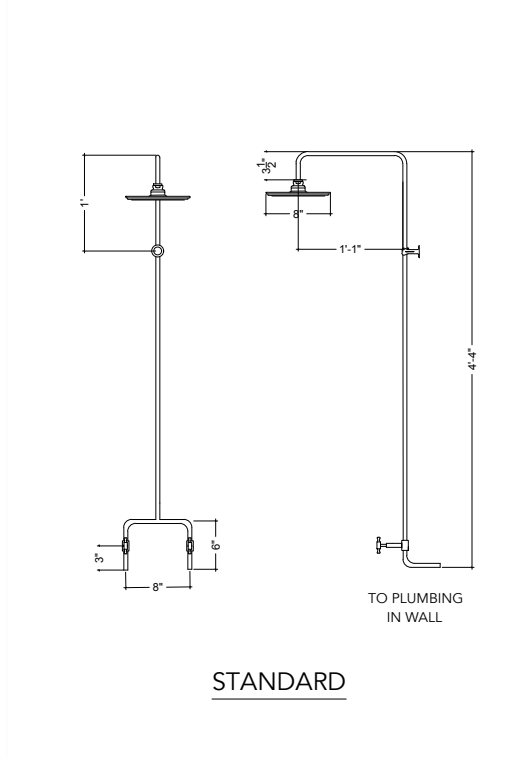


OUTDOOR COPPER SHOWER INSTALLATION GUIDE

OR
CA

PARTS INCLUDED:

- 1 RAIN SHOWER HEAD
- COPPER PIPING
- GLOBE VALVES
- COPPER COUPLINGS
- 1X FOOT TAP (FOR EXTENDED MODELS)
- WALL CLIPS (1X FOR STANDARD, 3X FOR EXTENDED)



****ALL FIXTURES SHOULD BE INSTALLED BY A LICENSED PLUMBER****

1. DETERMINE WHERE YOU'D LIKE TO INSTALL THE FIXTURE ON THE WALL - THIS WILL INFORM WHERE YOUR WATER SOURCE HOLES WILL NEED TO BE MADE - MARK THIS LOCATION
2. WALL CLIPS SHOULD BE INSTALLED FIRST - MAKE SURE TO INSTALL TOP CLIP WITHIN 12" OF THE TOP OF THE SHOWER FIXTURE PER DRAWING.
3. STUB OUT PIPING FOR WATER SOURCE - SEE NOTE BELOW FOR DIMENSIONS
4. SOLDER TOGETHER PIPES AT UPPER RISER AND TEE BODY. SOLDER AT WATER SOURCE PIPES
5. USE TAPE OR THREAD COMPOUND FOR SHOWER HEAD

NOTE - THE SHOWER HEAD IS SHIPPED WITH A FLOW RESTRICTOR THAT CAN BE INSTALLED INTO THE BALL JOINT FINAL CHECK - TURN ON WATER SUPPLY AND CHECK FOR LEAKS. CHECK VALVES AND FOOT TAP FOR PROPER FUNCTION

DUE TO THE FACT RIGID 1/2" PIPE IS NOT AS EASY TO BEND THESE SHOWER UNITS USE 3/8" PIPE AND 3/8" TO 1/2" CONVERTER COUPLINGS. ADDITIONAL COUPLINGS CAN BE FOUND AT MOST PLUMBING SUPPLY STORES.

Warranty and installation: Each complete unit comes with some pipe soldering required. Valves, shower head and clips come with a 12 month warranty. Showers are to be installed by a licensed plumber only. Showers do not have a regulator and are not pressure balanced - please take caution.

Copper and brass will oxidize giving a beautiful patina to your shower with time.
All exterior plumbing should be winterized if freezing temperatures are expected.

contact info: hello@orcaliving.com orcaliving.com