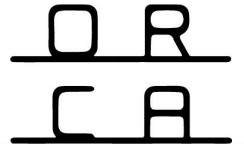
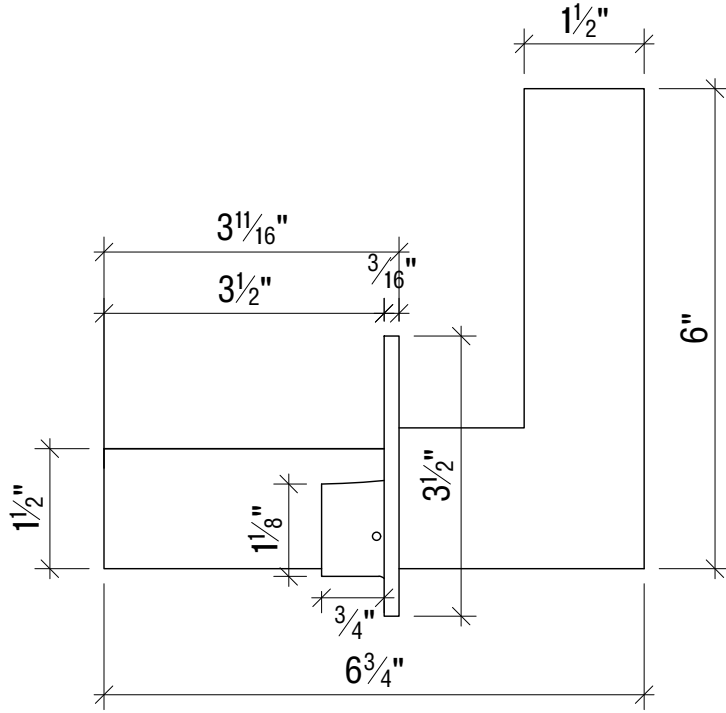


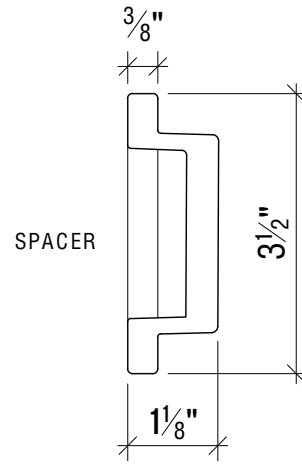
Gate Latch Passage Set



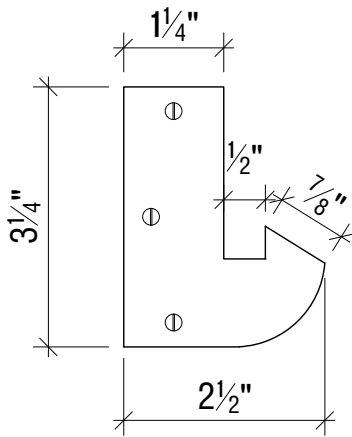
PARTS INCLUDED



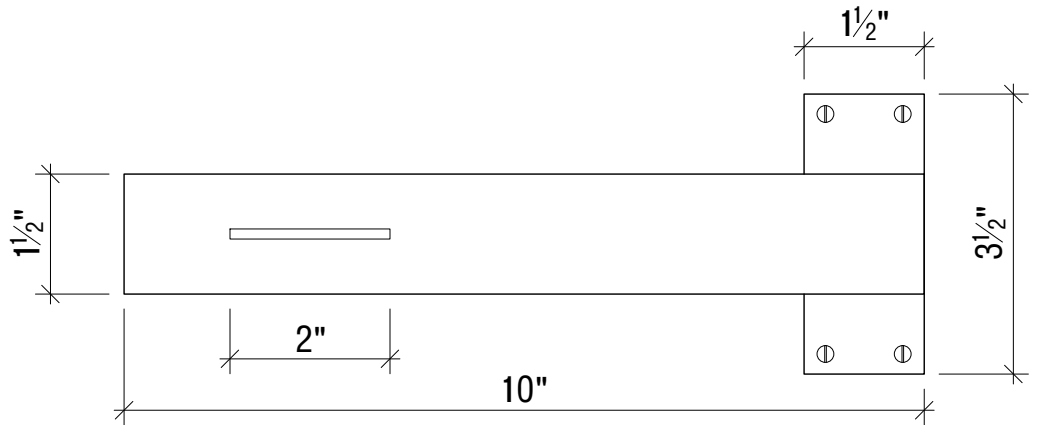
HANDLE LEVER & PLATE



LATCH BAR HOLDER



J STRIKE



LATCH BAR AND PLATE



10X - 1" SCREWS



7X - 1/2" SCREWS

Gate Latch Passage Set

OR
CA

HANDLE SIDE - GATE SWINGS OUT

