



mobility



stability



anti-slip



comfort

always
a safe
feeling



SecuCare Senior

SecuCare offers a complete range of products, with solutions to enable longer independent living. A safe idea!

| | | | |
|--|----|---|-----|
| Safe living for seniors | 2 | Bathroom | |
| SecuCare, quality and logistics | 4 | Anti-slip spray | 76 |
| Stichting Zilver Wonen and market research | 6 | Anti-slip sticker | 78 |
| Online and offline support | 8 | Bath and shower mat | 82 |
| Point of sale and in-store materials | 10 | Shower seat, wall mounting | 84 |
| Packaging and target audience research | 12 | Shower chair, wall mounting | 86 |
| Shop concepts | 14 | Bath step Quattro | 88 |
| Grab bars | | Bath seat Quattro | 90 |
| Grab bar, Basic | 16 | Shower stool Quattro | 92 |
| Grab bar, Basic Vario | 18 | Shower chair Quattro | 94 |
| Grab bar, Curve | 20 | Shower chair Quattro with backrest | 96 |
| Grab bar, suction cup | 22 | Shower chair Quattro with hygiene cut-out | 98 |
| Grab bar, steel | 24 | Lift-up toilet support | 100 |
| Grab bar, stainless steel Ø25mm, brushed | 26 | Lift-up toilet support premium | 102 |
| Grab bar, stainless steel Ø25mm, polished | 28 | Toilet seat raiser | 104 |
| Grab bar, stainless steel Ø25mm, black powder coated | 30 | SecuCare Urinal range | 106 |
| Grab bar, stainless steel Ø32mm, polished | 32 | Miscellaneous | |
| Grab bar, aluminium | 34 | Bed and chair raiser | 108 |
| Grab bar, aluminium, blackline | 36 | Stair tread profile and Glow-in-the-Dark | 110 |
| Grab bar, aluminium, angled | 38 | Post catcher with draught excluder brush | 112 |
| Grab bar, aluminium, blackline angled | 40 | Magnifying lamp with flexible arm | 114 |
| Grab bar, individual components | 42 | LED night light with sensor | 116 |
| Threshold ramps | | LED bedside light with sensor | 118 |
| Modular threshold ramp, introduction | 44 | | |
| Modular threshold ramp, customisation | 46 | | |
| Modular threshold ramp, individual components | 48 | | |
| Modular threshold ramp, set 1 | 50 | | |
| Modular threshold ramp, set 2 | 52 | | |
| Modular threshold ramp, set 3 | 54 | | |
| Modular threshold ramp, set 4 | 56 | | |
| Modular threshold ramp, set 5 | 58 | | |
| Modular threshold ramp, set 6 | 60 | | |
| Threshold plus, steel | 62 | | |
| Threshold Plus mini, steel | 64 | | |
| Threshold ramp, aluminium | 66 | | |
| Threshold bridge aluminium | 68 | | |
| Threshold ramp, aluminium, heavy duty | 70 | | |
| Threshold ramp, aluminium, portable | 72 | | |
| Threshold replacer | 74 | | |

SecuCare Junior

SecuCare offers a complete range of products, with solutions for every danger in the house. A safe idea to buy or give away as a gift to a family member with young children.

| | |
|--------------------------------|------------|
| Safe living for juniors | 120 |
| Safety tools | 122 |
| Child-proof locks | 124 |
| Plug socket covers | 126 |
| Safety kit | 128 |

Safe living for seniors

In this catalogue, you will find information about SecuCare products that make it possible to live independently for a longer period of time. SecuCare products can be used in homes, care institutions and non-residential buildings.

SecuCare is for seniors, people with a physical disability, people who are rehabilitating or people who, for whatever reason, need (temporary) support to be able to continue living safely at home. All products are of high quality and are designed for long, problem-free, maintenance-free use. They are tested independently as much as possible. Read more about this on pages 4 and 5.

Changes in healthcare

Healthcare tools are no longer reimbursed to people without referrals via the Wet maatschappelijke ondersteuning (Social Support Act, or WMO). This has major consequences because the consumer or housing corporation now has to purchase them. At the same time, seniors want to (and must!) stay at home for a longer period of time and therefore adapt their homes accordingly. The ageing of the population is also an important factor: there will be an additional 1.2 million people over the age of 65 by 2020. That means that almost 20% of all Dutch people will be 65 or older. The government estimates that 44,000 homes must be made 'senior-proof' each year. In short: opportunities for shopkeepers, the construction industry and housing corporations.

SecuCare responds to all these changes with an attractive product range, designed for the modern consumer who demands affordability, comfort, convenience, quality and design. But we do more than just sell products. With more than 30 years of retail experience, we know that training and workshops, attractive packaging and shop concepts, points of sale and online content in word, image and video are indispensable. Read more about this on pages 8 to 15.



About SecuCare

SecuCare is part of SecuProducts BV, which has been a top brand and market leader in the field of security and safety hardware for almost 35 years. Secu is a very Dutch family business, based in Haarlemmermeer. We are proud to be known as a strongly customer-oriented company.

Always feel safe – that’s our motto! This applies to the end user, but also to you as a prescriber, installer, retailer, purchaser or consultant. If you work with Secu products, you can completely trust the quality, service and support.

Our pillars:

- direct and indirect customers
- marketing and advertising
- innovation
- deliver everything quickly from our stock

Would you like to know more about the world of SecuCare?



Visit our dealer page (go.secu.nl/dealer-secu or scan the QR code) for up-to-date information and a link to all content (text and images).

For more information, visit our websites www.secu.nl, www.secu.nl (in Dutch only) and www.secupost.nl (in Dutch only).

Quality and standards

For SecuCare, the quality of the products is of the utmost importance. Almost all products are therefore manufactured in Europe; the core of the range even in the Netherlands. Secu is also a member of SKG, an independent Dutch certification body that tests, approves and periodically checks our products. SecuCare products have a quality guarantee of 2 or 5 years.

Where possible, the products comply with the standard for medical healthcare tools, NEN-EN 12182 and the Medical Devices Directive 93/42/EEC.

Since 26 May 2021, the new European medical device regulation (MDR) has been in force.



An important goal of the new rules is to provide patients with greater transparency. It gives patients and healthcare professionals access to a European database (EUDAMED), which contains information about medical devices on the European market. It helps them to choose their medical device more effectively.

The Ministry of Health, Welfare and Sport (VWS) worked on the introduction of the new regulation. This was a team effort involving the Inspectorate for Health Care and Youth Affairs, the Central Commission on Research Involving Human Subjects (CCMO) and the National Institute for Public Health and the Environment (RIVM).

All in all, using SecuCare products will give you peace of mind. They are made for years of enjoyable use without any problems.

Logistics

Our domestic and international logistics are taken care of by our company in Nieuw-Vennep. The standard delivery time for products is two business days. Our delivery rate is 99.9%. Drop shipment deliveries and Track & Trace via your web shop are possible within one business day. Secu is connected to EDI and can also receive orders via XML.



Management: Chris van Bruggen, Nicole Hartwijk, Maarten Wijninga



Stichting Zilver Wonen

SecuCare is the initiator of Stichting Zilver Wonen (Silver Living Foundation), a unique public/private partnership. The foundation was established with the following partners: the Dutch Ministry of Health, Welfare and Sport, the Ministry of Housing and ANBO (an organisation that advocates for seniors). The foundation is supported by Rabobank and Uneto VNI, among others.

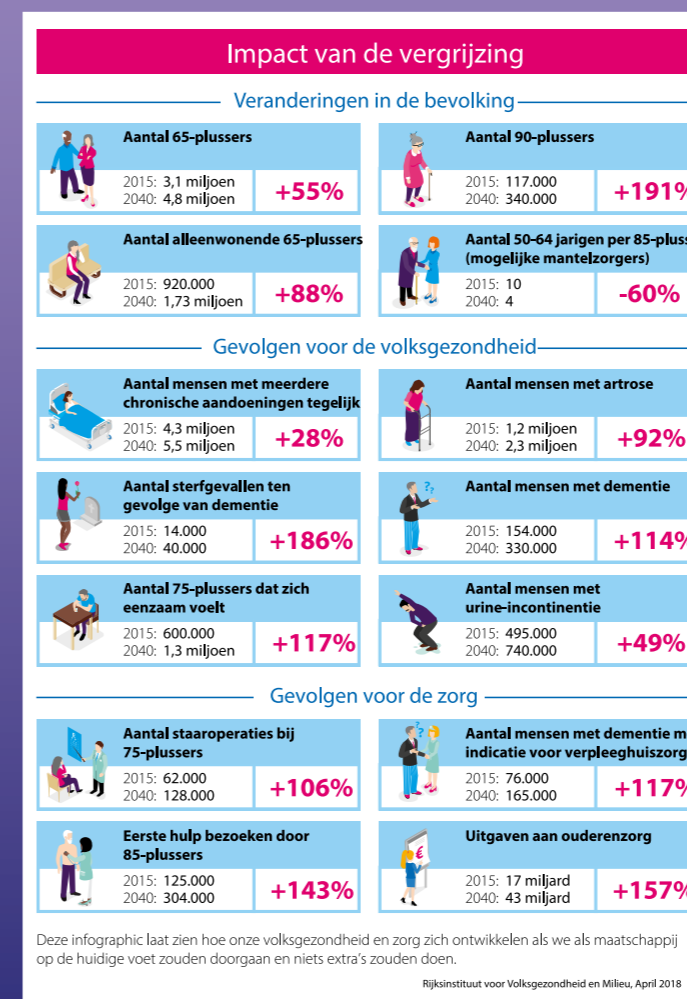
Stichting Zilver Wonen wants to make people aware of the need to look ahead, to inspire them to do something and to offer them help with that, among other things by providing information as well as an online housing and postcode scan.

Market research

SecuCare has had independent market research carried out by Bureauvijftig among the 6000 members of the National 50Plus Panel. Topics: the awareness, orientation and buying behaviour of seniors and their children. We would like to share the most important results with you.

The co-foundation of Stichting Zilver Wonen and the market research show that SecuCare does much more than simply supplying products. Thanks to all our knowledge of the market, the field and the wishes of the end users themselves, we are an authority in the field of 'marketing for seniors'.

If you would you like find out more about Stichting Zilver Wonen or the market research, please call SecuCare's marketing department on +31 (0)252 620 901 or send an email to marketing@secu.nl.



| Ideaalbeeld m.b.t. welzijn in de toekomst | % genoemd in top 3 |
|---|--------------------|
| 1. Goede gezondheid hebben en behouden | 78% |
| 2. Zelfstandig kunnen blijven wonen in mijn eigen huis | 51% |
| 3. Onafhankelijk zijn / mezelf kunnen redden | 47% |
| 4. Mobiel blijven; kunnen lopen, traplopen, fietsen, autorijden | 46% |
| 5. Voldoende financiële middelen tot mijn beschikking hebben | 38% |

We don't just support seniors; we also support you!

Secu supports retailers, consultants and prescribers by providing information and workshops about care, point-of-sale materials for demonstrating products to interested parties, and carefully designed shop concepts. We provide online support by ensuring our content features words, images and videos, social media, SEA and SEO that are optimised for Google.

Training and workshops

Secu has an enormous amount of experience and knowledge in the field of 'marketing for seniors'. We would like to share that knowledge with you. For example, we can help you organise a workshop. Want to know more? please call SecuCare's marketing department on +31 (0)252 620 901 or send an email to marketing@secu.nl.

Promotions

SecuCare promotions increase your turnover and show that you are selling high-quality products from a top brand supplier. We can support you with promotion proposals and, of course, texts and images. Please call SecuCare's marketing department on +31 (0)252 620 901 or send an email to marketing@secu.nl

Point of sale See pages 10 and 11

Shop concepts See pages 14 and 15

Online

The importance of the Internet is growing every year. Secu is up to date with Google-optimised content in text, image and video. We also make background stories, interviews and blogs. With all this content, you can easily enrich your website and web shop. Secu ensures that you receive automatic updates of the content, so you will always have the latest product information.

In addition to its own product data, Secu works with external databases such as DGE, EZ-base and GS1 to distribute content. Request them from marketing@secu.nl.

Social media

SecuCare can also be found on Facebook, Twitter and LinkedIn. Follow us, use our messages for your own social media channels and build up a valuable follower base. Our videos can be found on SecuCare's YouTube channel: youtube.com/SecuProductsBV

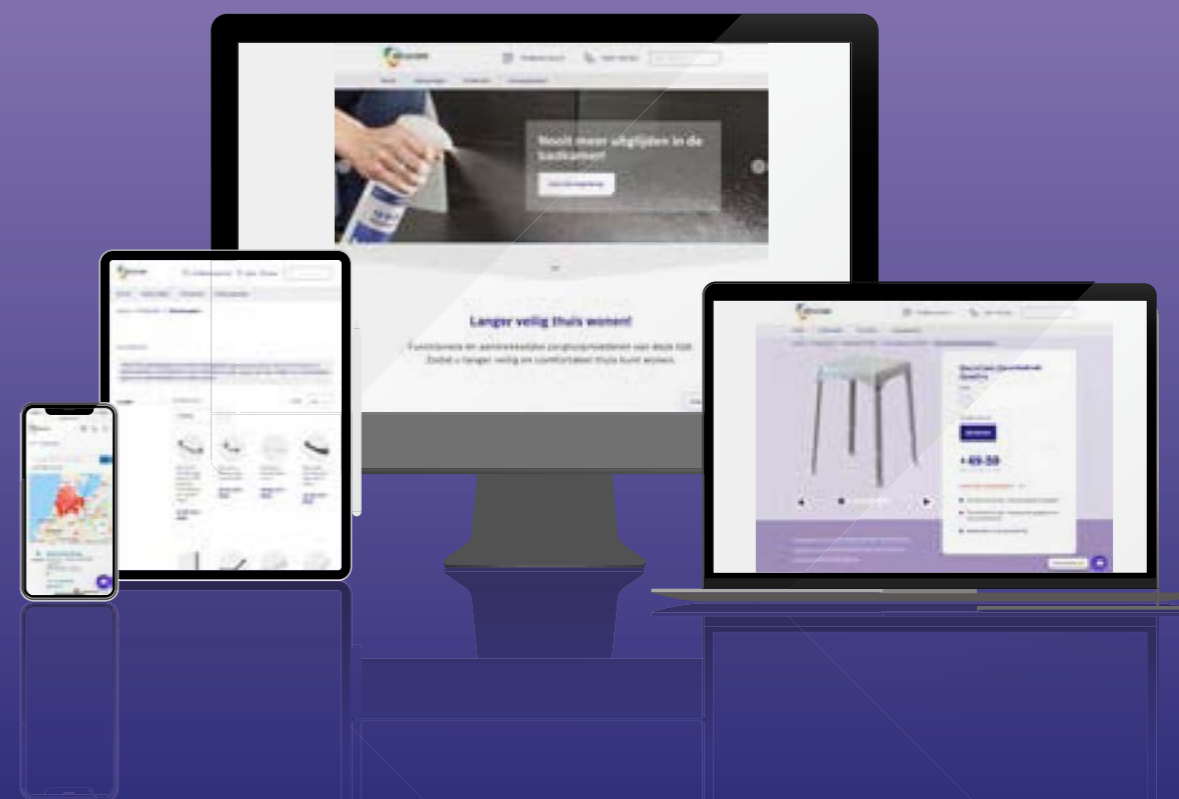
 facebook.com/secuare.nl

 youtube.com/SecuProductsBV

 twitter.com/SecuCare

 instagram.com/secuarebv

 linkedin.com/company/secuare-products



Point of sale

There is an extensive range of point-of-sale products for SecuCare.

This allows the products to be properly displayed and explained to your customer. After all, nothing works better than seeing a product and holding it in your hands.

The large, double-sided demo panel is the most commonly used. Almost all SecuCare products are physically mounted on it, and it has images and text. The panel is double-sided and is only 39 cm wide, so it fits perfectly in any shop or showroom. If you want to start smaller, there are other possibilities as well.

For anyone wishing to demonstrate SecuCare products to customers on the road, we have developed two cases containing demo materials and brochures.

The SecuCare brochure can be ordered free of charge. This brochure contains all products clearly arranged. Ideal to help the consumer make a choice. For professionals, we have the catalogue you are holding in your hands now.

If you would like to find out more, please call SecuCare's marketing department on +31 (0)252 620 901 or send an email to marketing@secu.nl.



counter display threshold ramp
art. no.: 8095.100.01



anti-slip spray
counter Display
art. no.: 8095.105.15



demo set threshold ramp
art. no.: 8095.110.03



demo set general
art. no.: 8095.110.01



stand-alone display
for aluminium
threshold ramp
art. no.: 8095.100.00



brochure
art.nr: 8095.000.01



information pillar for threshold ramp, art.no.: 8095.100.15
image: 1-sided approach, also available: 3-sided approach



demo panel, double-sided,
size 215x39 cm, art. no: 8095.000.12

Packaging

All SecuCare packaging has been completely restyled, making it ready for the future. The new line has a noticeably calmer look. There is a lot less text and the products are illustrated with large photos. The distinctive brand blocking (the white band with the SecuCare logo) makes it immediately clear which brand the packaging belongs to.

We have also included multilingual texts on the packaging in response to a strong increase in demand for our products from export countries. Depending on the type of packaging, between four and nine languages can be seen. Finally, the products are broken down into categories, each distinguished by its own colour. This makes choosing even easier.

The categories are:

Falling

Mobility

Comfort

Miscellaneous

Anti-slip



Target audience research (eye-tracking)

The new packaging line came about following extensive research among the target audience. SecuCare built a complete shop presentation of no less than ten metres and showed consumers the packing and Point of Sale material.

Using state-of-the-art techniques such as eye-tracking, we were able to see what consumers notice when choosing a product in the shop.

The stand-out results of that study were all incorporated into the new packaging. And we didn't forget the Point of Sale material.

To find out more about the packaging or the research, please contact us on +31(0)252-620901 or email us at marketing@secu.nl.



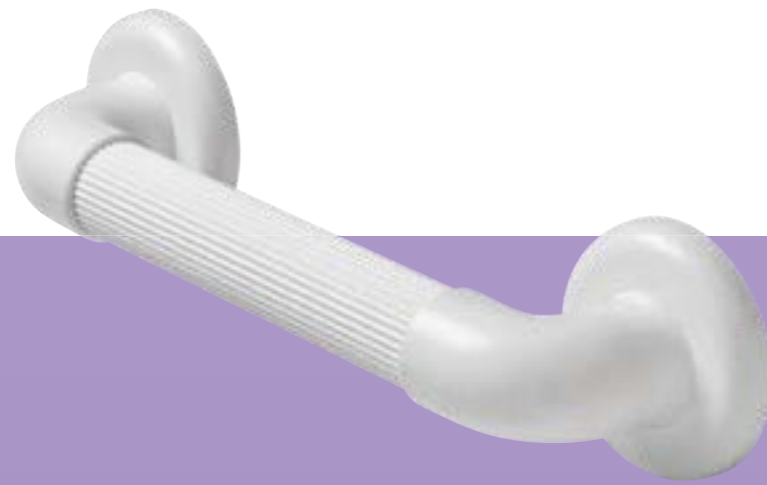
Shop concepts

In the development of SecuCare's products, Secu has also paid direct attention to eye-catching, innovative packaging and shop concepts. With this, we are making it as easy as possible for you to buy them. After all, entrepreneurs have little time and rely on the knowledge of the supplier.

Whether you want to fill a 1,2,3,4 or more metre wall: we have already come up with the right setup for you. If you still want to choose the products that suit you yourself, we can help you come up with what works for you. The 3 or 4 metre presentation offers a clear presentation of all SecuCare products. The shelves contain low and slightly higher priced products in all kinds of designs, so you can always help your customer.

If you would like to find out more, Please call our sales department on +31 (0)252 620 901 or send an email to verkoop@secu.nl.



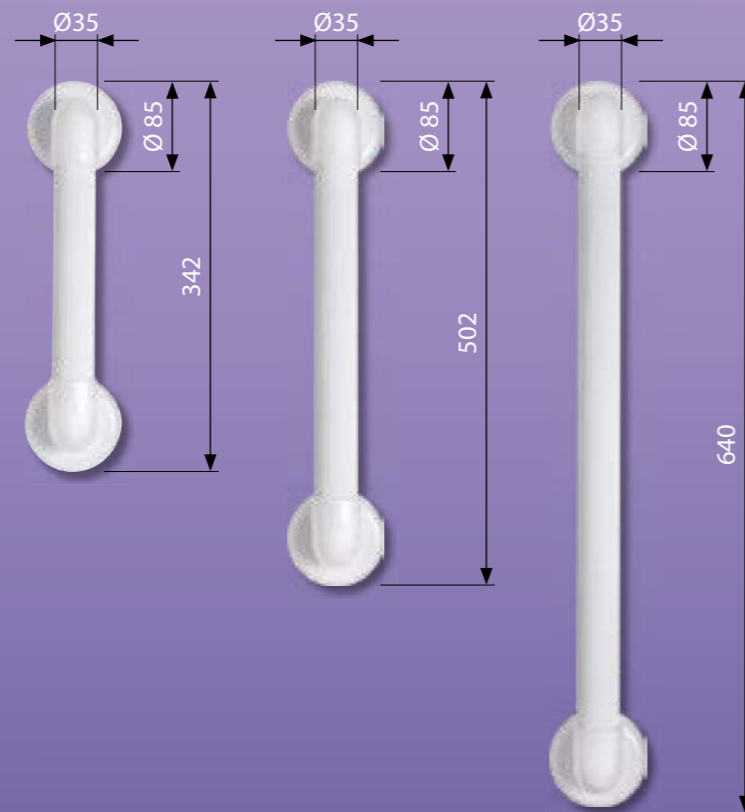


Product features

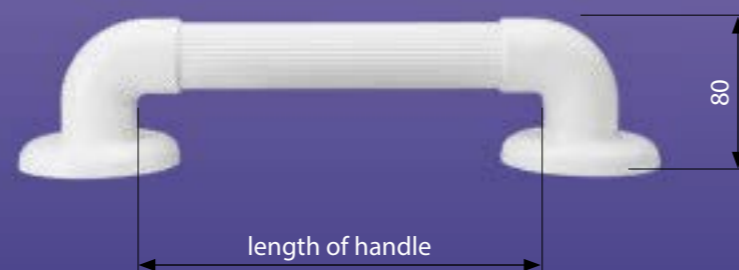
- made of impact-resistant ABS
- diameter Ø35 mm
- with ribs for extra grip
- 3 lengths available (see table)
- maximum load: 110 kg

Installation materials (included)

- 6 stainless steel chipboard screws 5x40 pan head PZ2
- 6 Fischer nylon plugs S8



mounting points



length of handle

80

| description | article number | diameter (mm) | length of handle (mm)* | materials | colour |
|---------------------|----------------|---------------|------------------------|-------------|--------|
| grab bar, Basic 300 | 8010.900.30 | Ø 35 | 215 | ABS, ribbed | white |
| grab bar, Basic 450 | 8010.900.45 | Ø 35 | 375 | ABS, ribbed | white |
| grab bar, Basic 600 | 8010.900.60 | Ø 35 | 515 | ABS, ribbed | white |

*see bottom illustration on left page for length of handle



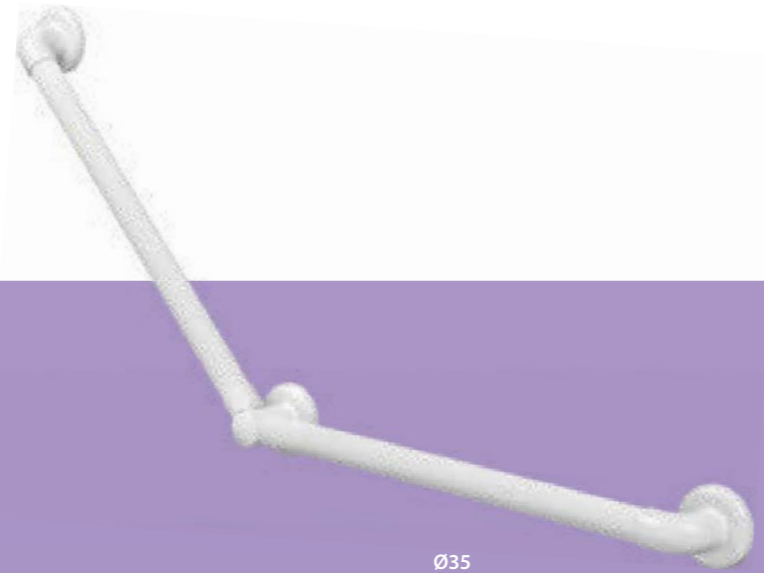
inexpensive and provides a good grip



Basic 300

TIPS

- ▶ included:
 - Fischer plugs for fixing in concrete and solid stone masonry
- ▶ select:
 - for hollow walls use Toggler plugs
 - for all other substrates: see Fischer.nl

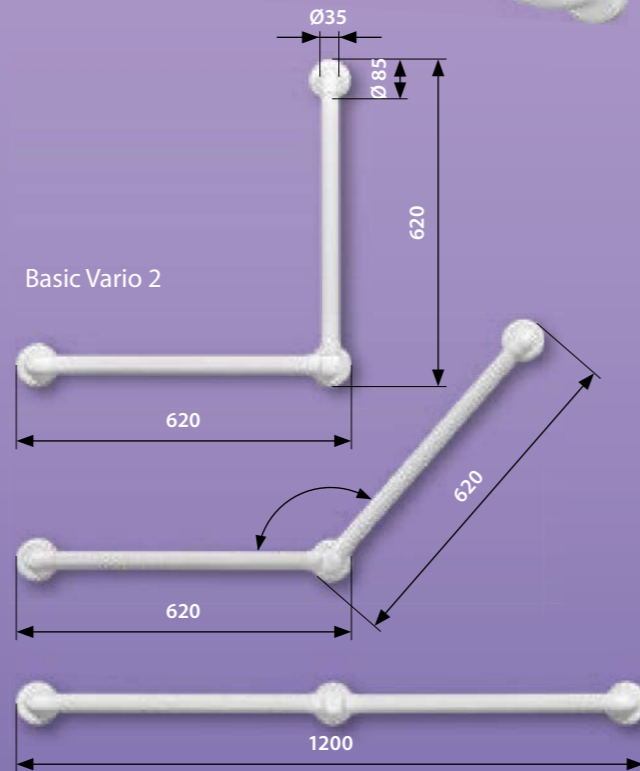


Product features of grab bar, Basic Vario 2

- made of impact-resistant ABS
- diameter Ø35 mm
- easy to shorten
- with ribs for extra grip
- 2 handles, length 510 mm, Ø35 mm
- angle is continuously adjustable
- maximum load: 110 kg

Installation materials (included)

- 12 stainless steel chipboard screws 5x40 pan head PZ2
- 12 Fischer nylon plugs S8

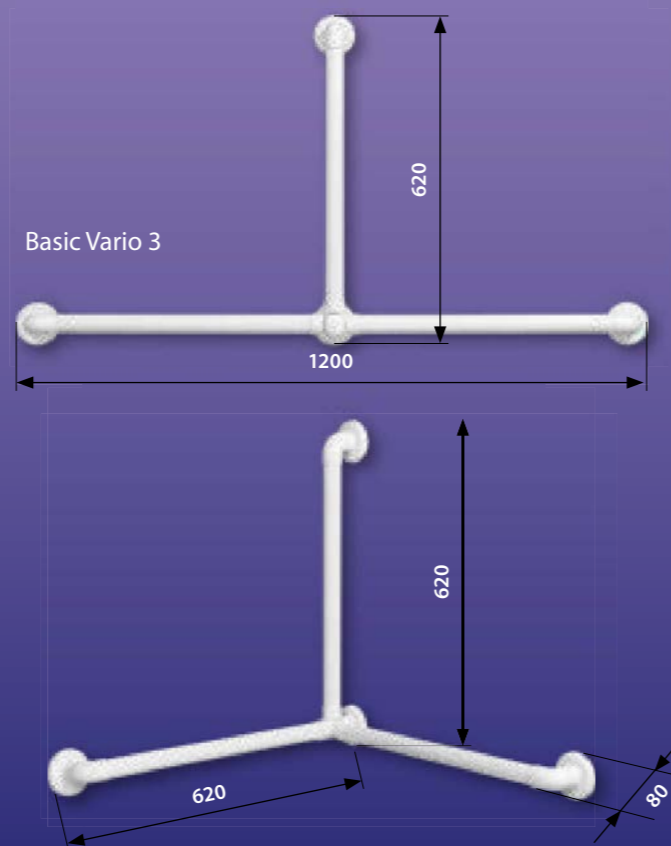


Product features of grab bar, Basic Vario 3

- see Vario 2
- 3 handles of 510 mm, diameter 35 mm, height from wall to grab bar: 80 mm

Installation materials (included)

- 12 stainless steel chipboard screws 5x40 pan head PZ2
- 12 Fischer nylon plugs S8



| description | article number | diameter (mm) | length of handle (mm)* | materials | colour |
|-------------------------|----------------|---------------|------------------------|-------------|--------|
| grab bar, Basic Vario 2 | 8010.900.02 | Ø 35 | 510, can be shortened | ABS, ribbed | white |
| grab bar Basic Vario 3 | 8010.900.03 | Ø 35 | 510, can be shortened | ABS, ribbed | white |

* length of handle is rod length excl. assembly cover caps



Basic Vario 2 - continuously adjustable



Basic Vario 2



Basic Vario 2



Basic Vario 2



Basic Vario 3



Basic Vario 3

TIPS

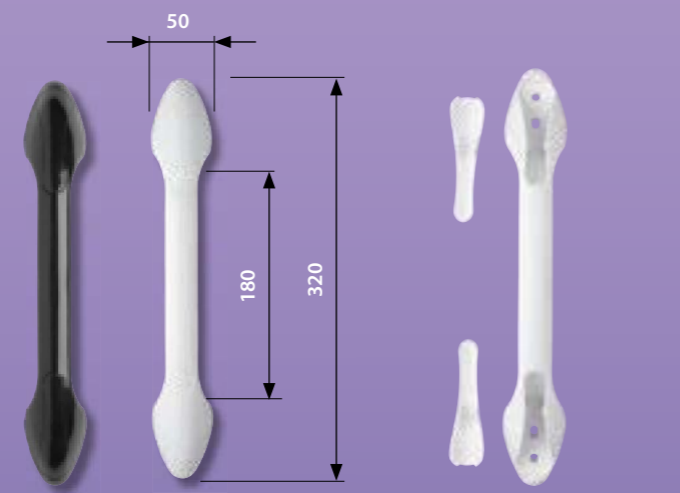
- ▶ included:
 - Fischer plugs for fixing in concrete and solid stone masonry
- ▶ select:
 - for hollow walls use Toggler plugs
 - for all other substrates: see Fischer.nl
- ▶ Vario 2
 - inside corner provides horizontal support in the shower
- ▶ applications: bath, shower, toilet
- ▶ Vario 3
 - inside corner mounting provides horizontal support in shower, incl. vertical handle section.
 - to be placed on a flat wall for maximum horizontal and vertical support
- ▶ applications: shower

Product features

- handle made of reinforced polypropylene
- non-slip strip for extra grip, made of thermoplastic rubber (inner side)
- length 320 mm
- screws concealed by cover plates
- maximum load: 110 kg

Installation materials (included)

- 4 stainless steel Screws 4,8x50
- 4 stainless steel washers M5
- 4 Fischer nylon plugs S6



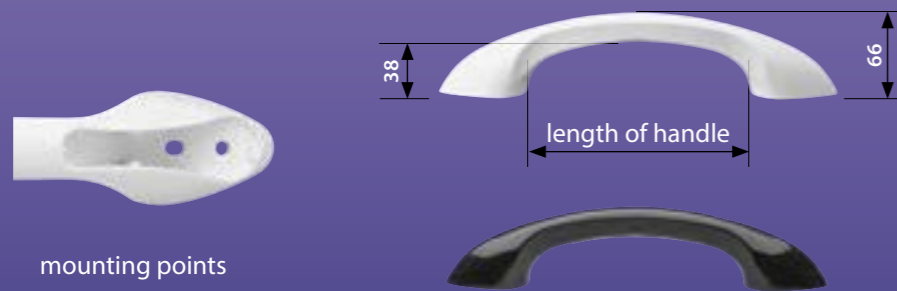
| description | article number | length of handle (mm) | materials | colour |
|-----------------|----------------|-----------------------|---------------|--------|
| grab bar, Curve | 8010.100.01 | 180 | polypropylene | white |
| grab bar, Curve | 8010.100.10 | 180 | polypropylene | black |



stylish and safe



fits in every interior



mounting points



anti-slip strip for extra grip

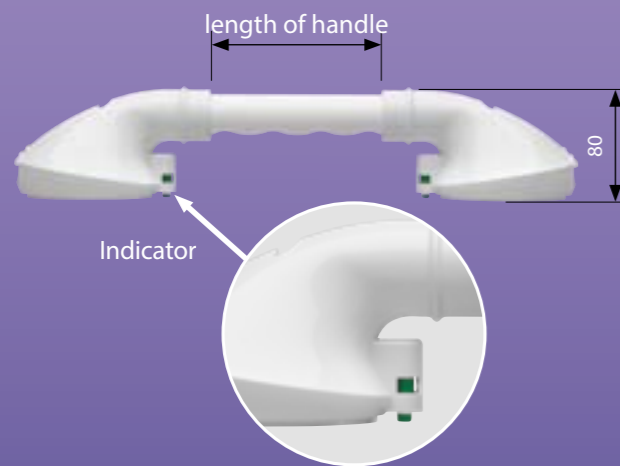
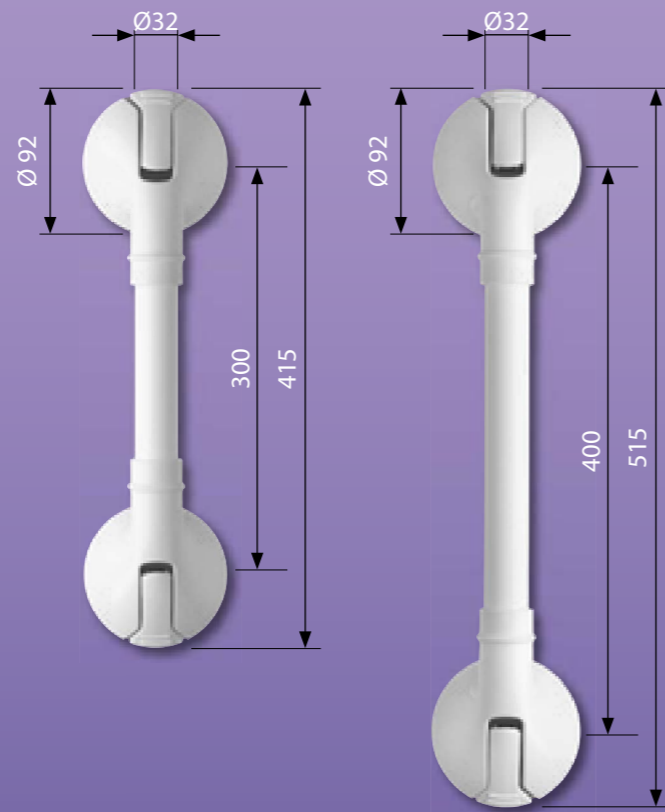
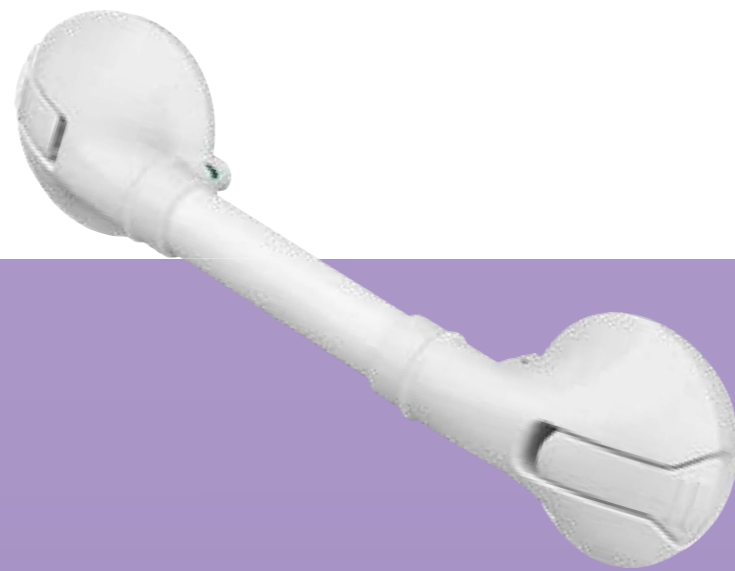


TIPS

- ▶ included:
 - Fischer plugs for fixing in concrete and solid stone masonry
- ▶ select:
 - for hollow walls use Toggler plugs
 - for all other substrates: see Fischer.nl
- ▶ ideal for mounting on metal stud walls because fixing holes are arranged in a single line

Product features

- handle made of corrosion-resistant metal, caps made of impact-resistant ABS
- excellent adhesion due to large suction cup surface (Ø 92 mm)
- clear visual indicator green/red
- application on smooth walls only
- handle equipped with comfort grip for extra grip/comfort.
- easy to operate and solid locking mechanisms
- also ideal for glass shower walls
- maximum load 65 kg



| description | article number | length of handle (mm) | materials | colour |
|-----------------------|----------------|-----------------------|-------------|--------|
| grab bar, suction cup | 8010.101.01 | 120 | metal / ABS | white |
| grab bar, suction cup | 8010.101.05 | 220 | metal / ABS | white |



position and push



close the locks levers



check the indicator



TIPS

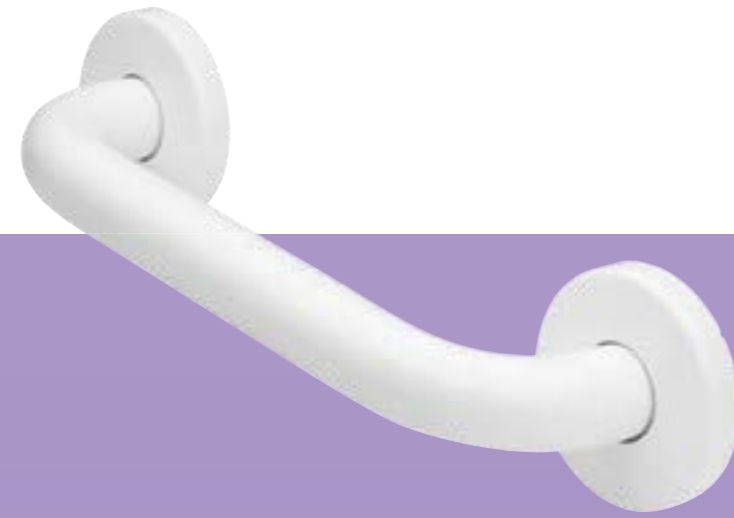
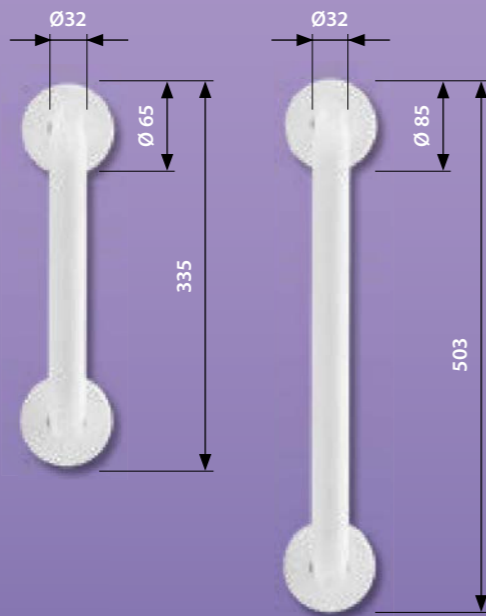
- ▶ ideal for glass shower walls
- ▶ can be placed on any smooth surface, including your toilet door
- ▶ handy if drilling holes in your tiles is not an option
- ▶ always check grab bar is still securely attached before use

Product features

- handle made of steel, anti-rust, epoxy coated (white, RAL 9016)
- diameter Ø32 mm
- 304 stainless steel cover cap and plastic mounting flange
- available in lengths of 300 and 450 mm
- screw plate concealed by cover cap
- maximum load: 150 kg

Installation materials (included)

- 6 stainless steel chipboard screws 5x40 pan head PZ2
- 6 Fischer nylon plugs S8



| description | article number | diameter (mm) | length of handle (mm) | materials | colour |
|-----------------|----------------|---------------|-----------------------|--------------------|-----------------|
| grab bar, steel | 8010.901.01 | Ø 32 | 235 | epoxy coated steel | white, RAL 9016 |
| grab bar, steel | 8010.901.02 | Ø 32 | 385 | epoxy coated steel | white, RAL 9016 |



anti-rust epoxy coating



fits in every interior



mounting points



TIPS

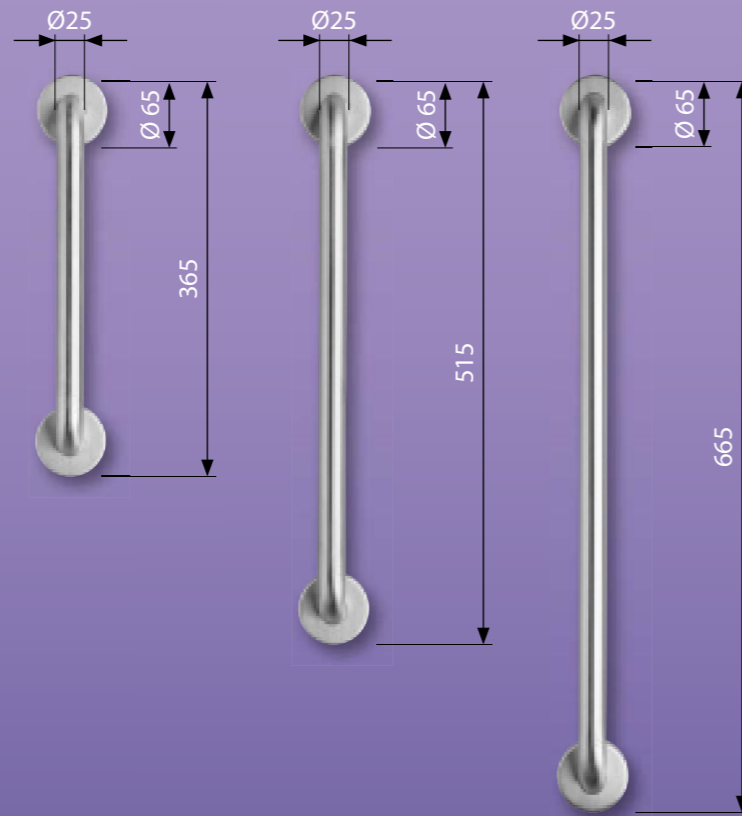
- ▶ included:
 - Fischer plugs for fixing in concrete and solid stone masonry
- ▶ select:
 - for hollow walls use Toggler plugs
 - for all other substrates: see Fischer.nl
- ▶ because of its neutral white design (RAL 9016), this grab bar also fits perfectly in the living room or bedroom
- ▶ due to the stainless steel parts, it can also be used outside (e.g. at the front and back door)

Product features

- made of brushed stainless steel
- diameter Ø25 mm
- Grade 304 stainless steel
- available in lengths of 300, 450 and 600 mm
- screw plate concealed by cover cap
- maximum load is 150 kg

Installation materials (included)

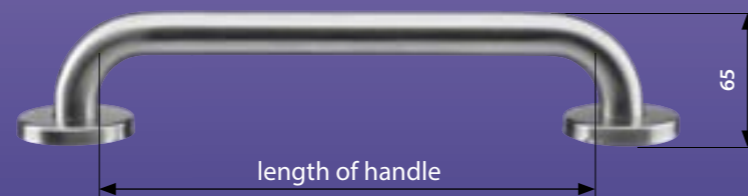
- 6 stainless steel screws 4x40
- 6 Fischer nylon plugs S6



rotatable mounting flange for optimal positioning of the screws (e.g. in the grout joint or not)



mounting points



| description | article number | diameter (mm) | length of handle (mm) | materials | colour |
|-----------------------------------|----------------|---------------|-----------------------|-------------------------|-----------------|
| grab bar, stainless steel brushed | 8010.905.01 | Ø 25 | 275 | brushed stainless steel | stainless steel |
| grab bar, stainless steel brushed | 8010.905.02 | Ø 25 | 425 | brushed stainless steel | stainless steel |
| grab bar, stainless steel brushed | 8010.905.03 | Ø 25 | 575 | brushed stainless steel | stainless steel |



stylish and safe



fits in every interior



TIPS

- ▶ included:
 - Fischer plugs for fixing in concrete and solid stone masonry
- ▶ select:
 - for hollow walls use Toggler plugs
 - for all other substrates: see Fischer.nl
- ▶ this grab bar combines a luxurious appearance with an attractive price

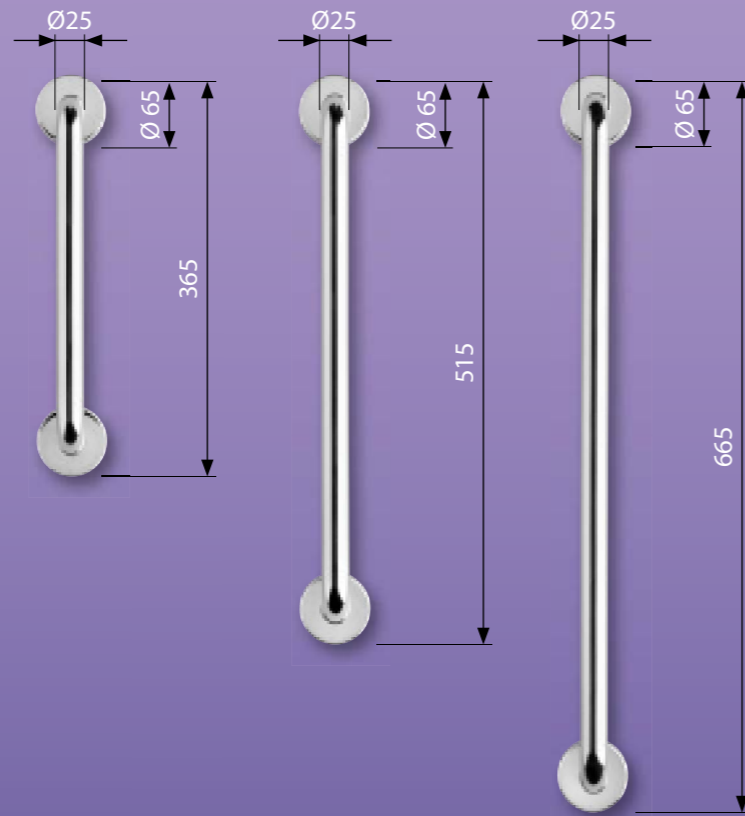


Product features

- made of high-gloss polished stainless steel
- diameter Ø25 mm
- Grade 304 stainless steel
- available in lengths of 300, 450 and 600 mm
- screw plate concealed by cover cap
- maximum load is 150 kg

Installation materials (included)

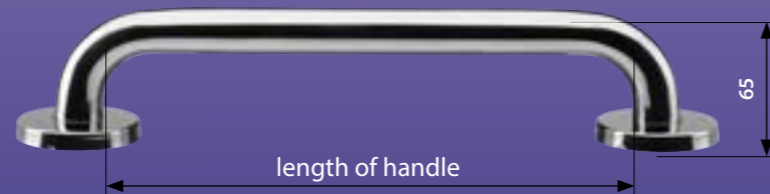
- 6 stainless steel screws 4x40
- 6 Fischer nylon plugs S6



rotatable mounting flange for optimal positioning of the screws (e.g. in the grout joint or not)



mounting points



| description | article number | diameter (mm) | length of handle (mm) | materials | colour |
|------------------------------------|----------------|---------------|-----------------------|-------------------------------------|-----------------|
| grab bar, stainless steel polished | 8010.904.01 | Ø 25 | 275 | high-gloss polished stainless steel | stainless steel |
| grab bar, stainless steel polished | 8010.904.02 | Ø 25 | 425 | high-gloss polished stainless steel | stainless steel |
| grab bar, stainless steel polished | 8010.904.03 | Ø 25 | 575 | high-gloss polished stainless steel | stainless steel |



stylish and safe



fits in every interior



TIPS

- ▶ included:
 - Fischer plugs for fixing in concrete and solid stone masonry
- ▶ select:
 - for hollow walls use Toggler plugs
 - for all other substrates: see Fischer.nl
- ▶ this grab bar combines a luxurious appearance with an attractive price

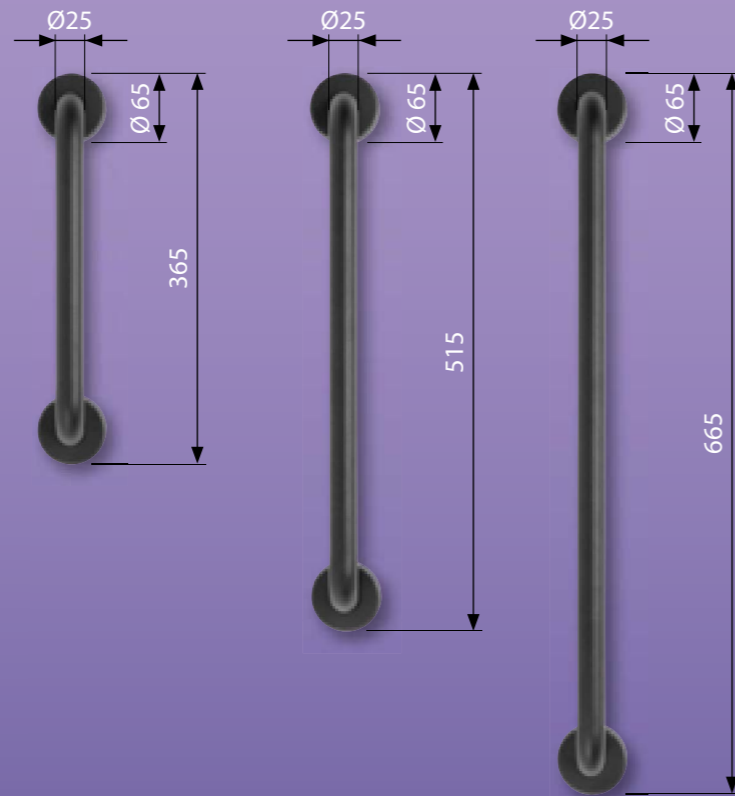


Product features

- made of stainless steel
- diameter Ø25 mm
- Grade 304 stainless steel
- Epoxy coating: RAL 9005 black fine texture (outdoor quality)
- available in lengths of 300, 450 and 600 mm
- screw plate concealed by cover cap
- maximum load is 150 kg

Installation materials (included)

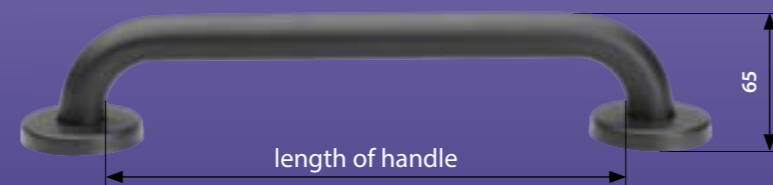
- 6 stainless steel screws 4x40
- 6 Fischer nylon plugs S6



rotatable mounting flange for optimal positioning of the screws (e.g. in the grout joint or not)



mounting points



| description | article number | diameter (mm) | length of handle (mm) | materials | colour |
|----------------------------------|----------------|---------------|-----------------------|------------------------------|--------|
| grab bar, stainless steel, black | 8010.906.01 | Ø 25 | 275 | epoxy coated stainless steel | black |
| grab bar, stainless steel, black | 8010.906.02 | Ø 25 | 425 | epoxy coated stainless steel | black |
| grab bar, stainless steel, black | 8010.906.03 | Ø 25 | 575 | epoxy coated stainless steel | black |



stylish and safe



fits in every interior



TIPS

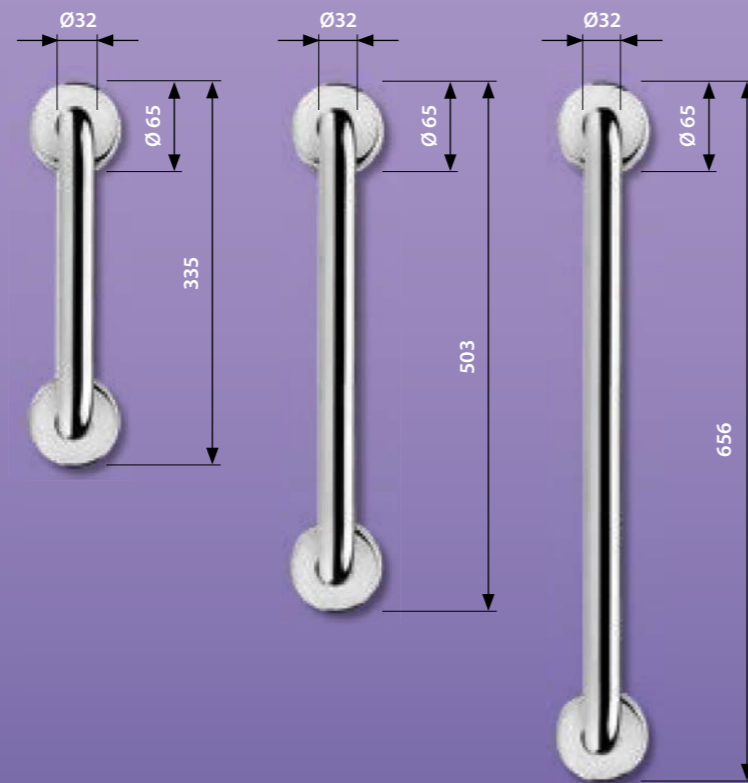
- ▶ included:
 - Fischer plugs for fixing in concrete and solid stone masonry
- ▶ select:
 - for hollow walls use Toggler plugs
 - for all other substrates: see Fischer.nl
- ▶ this grab bar combines a luxurious appearance with an attractive price

Product features

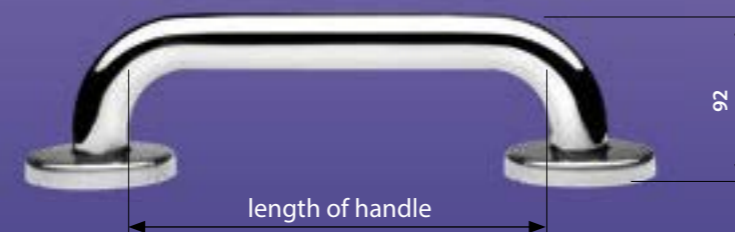
- made of high-gloss polished stainless steel
- diameter Ø32 mm
- 304 stainless steel cover cap and plastic mounting flange
- wavailable in lengths of 300, 450 and 600 mm
- screw plate concealed by cover cap
- maximum load: 150 kg

Installation materials (included)

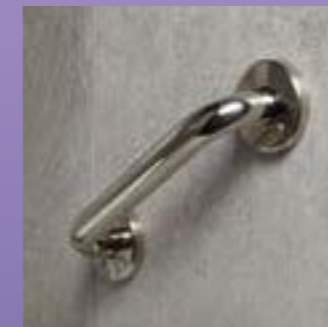
- 6 stainless steel chipboard screws 5x40 pan head PZ2
- 6 Fischer nylon plugs S8



mounting points



| description | article number | diameter (mm) | length of handle (mm) | materials | colour |
|------------------------------------|----------------|---------------|-----------------------|-------------------------------------|-----------------|
| grab bar, stainless steel polished | 8010.902.01 | Ø 32 | 235 | high-gloss polished stainless steel | stainless steel |
| grab bar, stainless steel polished | 8010.902.02 | Ø 32 | 385 | high-gloss polished stainless steel | stainless steel |
| grab bar, stainless steel polished | 8010.902.03 | Ø 32 | 535 | high-gloss polished stainless steel | stainless steel |



high-gloss polished stainless steel



elegant appearance



TIPS

- ▶ included:
 - Fischer plugs for fixing in concrete and solid stone masonry
- ▶ select:
 - for hollow walls use Toggler plugs
 - for all other substrates: see Fischer.nl
- ▶ because of its stainless steel design, this grab bar also fits perfectly in the living room or bedroom

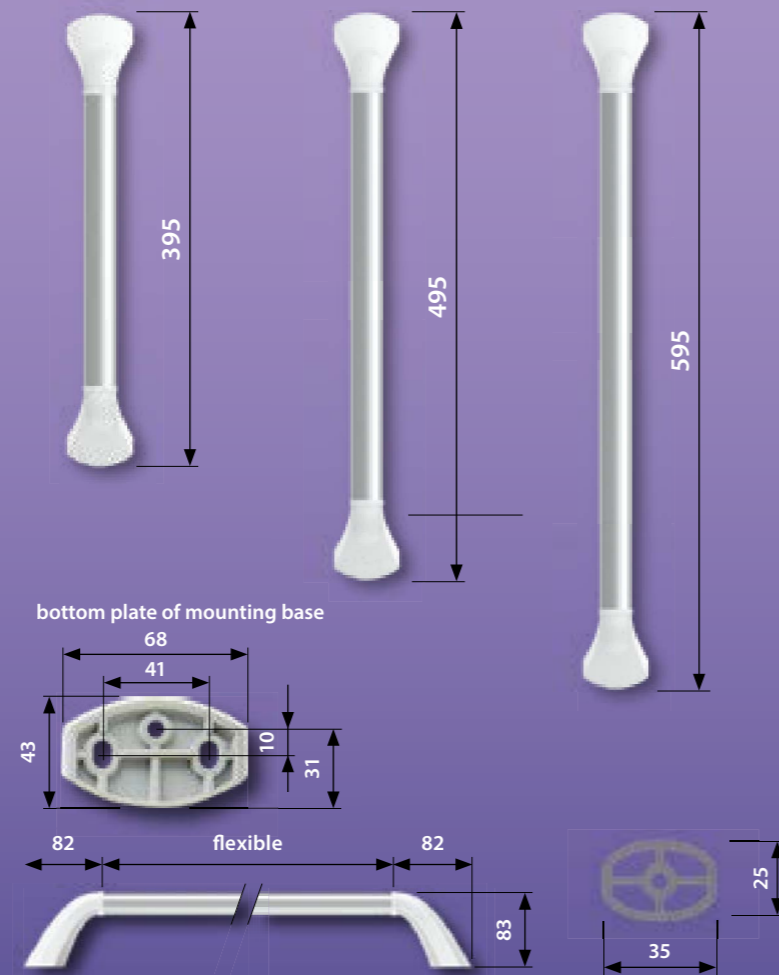


Product features

- anodised aluminium handle
- ergonomic due to flat oval shape
- mounting base made of fibre-reinforced plastic, covers made of impact-resistant ABS
- ergonomic due to the flat oval shape of the handle
- easy to shorten if necessary
- cut-out in the mounting base, at the height of the mounting holes, allows flat wall mounting in combination with hollow wall plugs.
- 400 mm grab bar, can be attached with screws or adhesive wall plates
- complies with: NEN-EN12182, Medical Devices Directive 93/42/EEC, CE Directive
- maximum load: 150 kg

Installation materials (included)

- 6 stainless steel chipboard screws 5x40 pan head PZ2
- 6 Fischer nylon plugs S8



| description | article number | length* (mm) | handle material | cover colour |
|--|----------------|--------------|--------------------|------------------|
| grab bar, aluminium | 8010.401.01 | 400 | anodised aluminium | matte white |
| grab bar, aluminium | 8010.501.01 | 500 | anodised aluminium | matte white |
| grab bar, aluminium | 8010.601.01 | 600 | anodised aluminium | matte white |
| Stainless steel wall plates for fastening with adhesive, 2x (only for 400 mm models) | 8010.005.03 | | | |
| Glow-in-the-dark strip (self-adhesive) for grab bar | 8055.015.01 | 215x30 | | glow-in-the-dark |

* can be shortened
Maximum load when screwing in: 150kg, or 90kg for fastening with adhesive.



easy to shorten



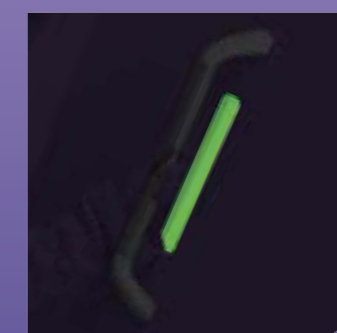
adhesive with stainless steel wall plates



fixing on adhesive plates



fits in every interior



glow-in-the-dark strip for visibility, at night



many applications in and around the house

TIPS

- ▶ included:
 - Fischer plugs for fixing in concrete and solid stone masonry
- ▶ select:
 - for hollow walls use Toggler plugs
 - for all other substrates: see Fischer.nl
- ▶ if the use of screws is not an option, then use the self-adhesive stainless steel wall plates to stick the grab bar to the tiles. Please note: only in combination with the 400 mm models. Gluing with Bison Poly Max SMP Polymer Express (not included)

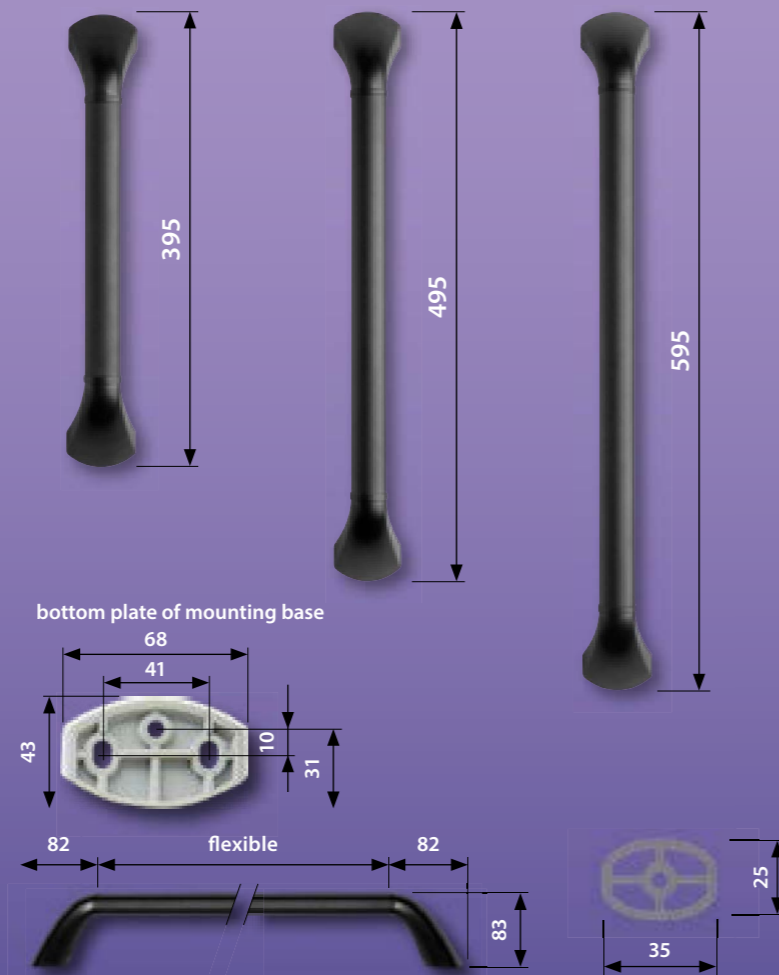


Product features

- anodised aluminium handle
- ergonomic due to flat oval shape
- mounting base made of fibre-reinforced plastic, covers made of impact-resistant ABS
- easy to shorten if necessary
- with a textured surface coating (RAL 9005 black) for better grip
- cut-out in the mounting base, at the height of the mounting holes, allows flat wall mounting in combination with hollow wall plugs.
- 400 mm grab bar, can be attached with screws or adhesive wall plates
- complies with: NEN-EN12182, Medical Devices Directive 93/42/EEC, CE Directive
- maximum load: 150 kg

Installation materials (included)

- 6 stainless steel chipboard screws 5x40 pan head PZ2
- 6 Fischer nylon plugs S8



| description | article number | length* (mm) | handle material | cover colour |
|--|----------------|--------------|----------------------|------------------|
| wandbeugel aluminium, black | 8010.401.15 | 400 | anodised aluminium** | matter black |
| wandbeugel aluminium, black | 8010.501.15 | 500 | anodised aluminium** | matter black |
| wandbeugel aluminium, black | 8010.601.15 | 600 | anodised aluminium** | matter black |
| Stainless steel wall plates for fastening with adhesive, 2x (only for 400 mm models) | 8010.005.03 | | | |
| Glow-in-the-dark strip (self-adhesive) for grab bar | 8055.015.01 | 215x30 | | glow-in-the-dark |

*can be shortened **RAL 9005, black has a luxurious textured surface
Maximum load when screwing in: 150kg, or 90kg for fastening with adhesive.



easy to shorten



detail textured surface for extra grip



adhesive with stainless steel wall plates



fixing on adhesive plates



glow-in-the-dark strip for visibility, at night



black (RAL9005) with textured surface for extra grip

TIPS

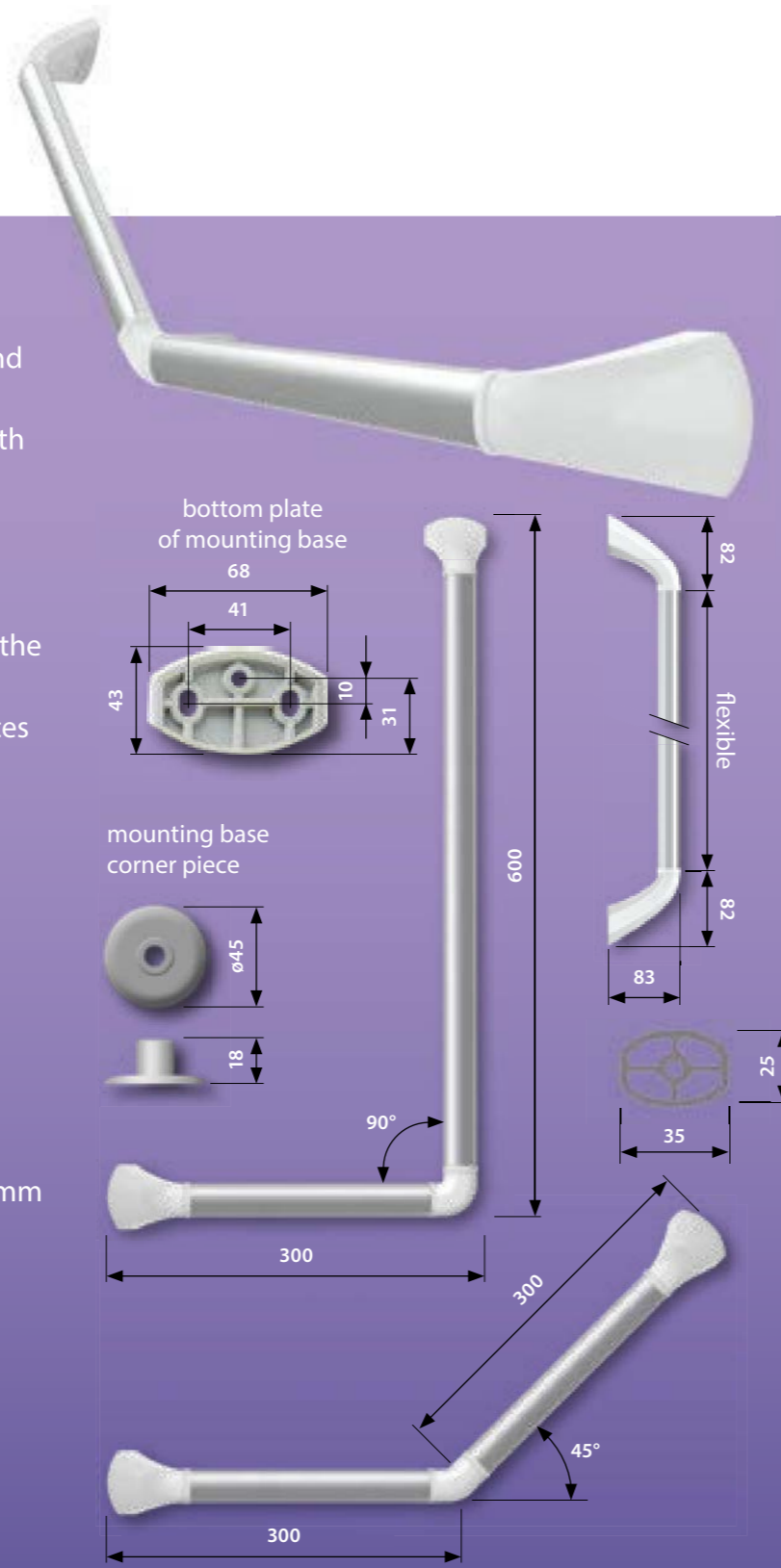
- ▶ included:
 - Fischer plugs for fixing in concrete and solid stone masonry
- ▶ select:
 - for hollow walls use Toggler plugs
 - for all other substrates: see Fischer.nl
- ▶ if the use of screws is not an option, then use the self-adhesive stainless steel wall plates to stick the grab bar to the tiles. Please note: only in combination with the 400 mm models. Gluing with Bison Poly Max SMP Polymer Express (not included)

Product features

- anodised aluminium angled handle
- available in 45° for installation in the bath and next to the toilet
- also available in 90° for installation in the bath and shower
- mounting base made of fibre-reinforced plastic, covers made of impact-resistant ABS
- easy to shorten if necessary
- the kit allows you to mount the grab bar on the left or right.
- complies with: NEN-EN12182, Medical Devices Directive 93/42/EEC, CE Directive
- maximum load: 150 kg

Installation materials (included)

- mounting base corner piece (anodised aluminium)
- 6 stainless steel chipboard screws 5x40 pan head PZ2
- 6 Fischer nylon plugs S8
- serrated lock washer, diameter 8 mm
- stainless steel socket head screw M8-S x 60 mm
- Fischer plug M8-S (for metric screw thread)



ideal for bath and toilet

| description | article number | length* (mm) | application | materials | cover colour |
|---|----------------|--------------|-------------|--------------------|------------------|
| grab bar, aluminium, 90° angle | 8010.109.11 | 600x300 | left/right | anodised aluminium | matte white |
| grab bar, aluminium, 45° angle | 8010.135.11 | 300x300 | left/right | anodised aluminium | matte white |
| Glow-in-the-dark strip (self-adhesive) for grab bar | 8055.015.01 | 215x30 | | | glow-in-the-dark |

* can be shortened



angled grab bar 45°



angled grab bar 90°



easy to shorten

TIPS

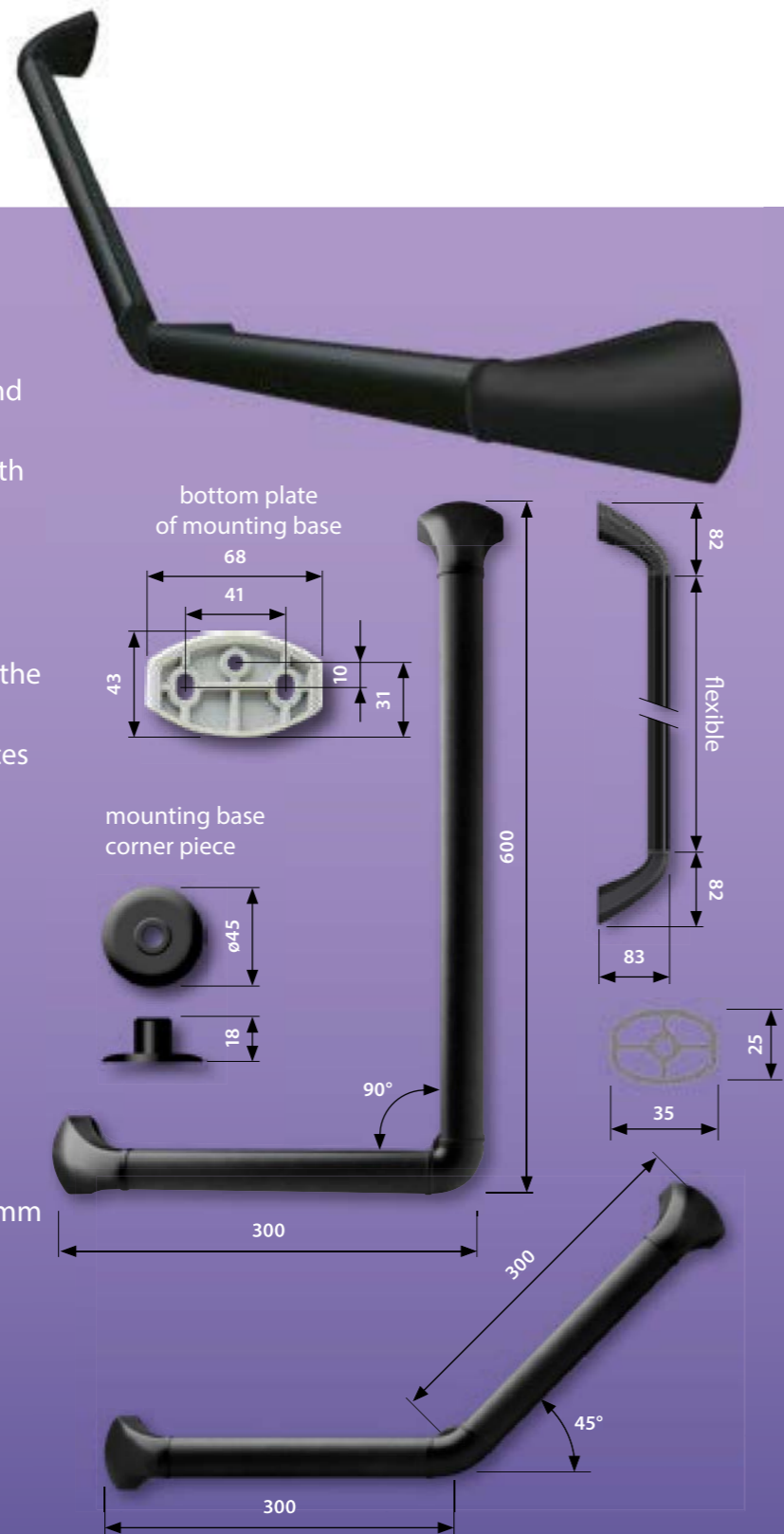
- ▶ included:
 - Fischer plugs for fixing in concrete and solid stone masonry
- ▶ select:
 - for hollow walls use Toggler plugs
 - for all other substrates: see Fischer.nl
- ▶ angled bars provide additional support and comfort
- ▶ same flat, oval design as the straight grab bars and therefore easy to combine with each other in the house

Product features

- anodised aluminium angled handle
- in modern black
- available in 45° for installation in the bath and next to the toilet
- also available in 90° for installation in the bath and shower
- mounting base made of fibre-reinforced plastic, covers made of impact-resistant ABS
- easy to shorten if necessary
- the kit allows you to mount the grab bar on the left or right.
- complies with: NEN-EN12182, Medical Devices Directive 93/42/EEC, CE Directive
- maximum load: 150 kg

Installation materials (included)

- mounting base corner piece (anodised aluminium)
- 6 stainless steel chipboard screws 5x40 pan head PZ2
- 6 Fischer nylon plugs S8
- serrated lock washer, diameter 8 mm
- stainless steel socket head screw M8-S x 60 mm
- Fischer plug M8-S (for metric screw thread)



| description | article number | length* (mm) | application | materials | cover colour |
|---|----------------|--------------|-------------|----------------------|------------------|
| grab bar, aluminium, 90° angle, black | 8010.109.20 | 600x300 | left/right | anodised aluminium** | matter black |
| grab bar, aluminium, 45° angle, black | 8010.135.20 | 300x300 | left/right | anodised aluminium** | matter black |
| Glow-in-the-dark strip (self-adhesive) for grab bar | 8055.015.01 | 215x30 | | | glow-in-the-dark |

*can be shortened **RAL 9005, black has a luxurious textured surface



Grab bar 90° in black



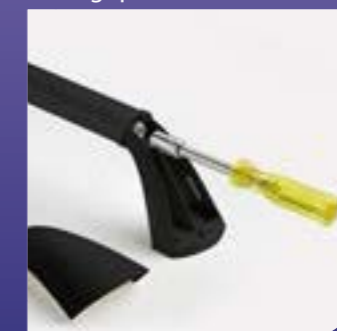
ideal for bath and toilet



angled grab bar 45°



detail textured surface for extra grip



easy to shorten

TIPS

- ▶ included:
 - Fischer plugs for fixing in concrete and solid stone masonry
- ▶ select:
 - for hollow walls use Toggler plugs
 - for all other substrates: see Fischer.nl
- ▶ angled bars provide additional support and comfort
- ▶ same flat, oval design as the straight grab bars and therefore easy to combine with each other in the house



Attention

These pages contain individual components of the straight and angled grab bars, especially for installers.

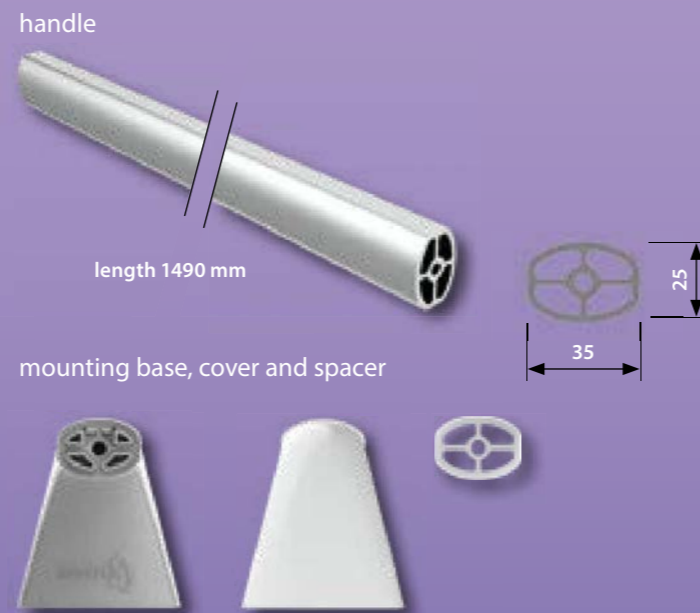
For normal use, see pages 34- 41 for the complete sets.

Product features

- general product features (see. pages 34 - 41)

Advantages of individual components

- ideal for projects
- unique: easy to customise the grab bar to any size
- easy to connect rod to base with unique self-tapping Taptite screw
- smart, hidden screws



| description | article number | number in pack | assembly materials | length (mm) | materials / colour |
|--|----------------|----------------|--------------------|-------------|--------------------|
| grab bar, handle | 8010.008.01 | 1 | | 1490 | natural anodised |
| grab bar, mounting base* | 8010.050.01 | 2 | included | | grey |
| grab bar , cover and washer | 8010.050.03 | 2 | | | matte white |
| Glow-in-the-dark strip (self-adhesive) for grab bar | 8055.015.01 | | | 215x30 | glow-in-the-dark |
| Stainless steel wall plates for fastening with adhesive (maximum length of grab bar is 400 mm) | 8010.005.03 | 2 | included | | stainless steel |

* mounting base must always be fitted with cover and spacer

Required components:

- handle
- mounting base (installation materials included)
- cover



easy DIY assembly

TIPS

- ▶ included:
 - Fischer plugs for fixing in concrete and solid stone masonry
- contents:
 - 6 stainless steel chipboard screws 5x40 cylinder head Pozi,
 - 6 Fischer nylon plugs S8
- ▶ select:
 - for hollow walls use Toggler plugs
 - for all other substrates: see Fischer.nl

Modular threshold ramp

If you have full mobility, crossing a threshold is a very simple matter. Only when you are less mobile (e.g. use a walker, mobility scooter or wheelchair), crossing a threshold can be downright dangerous.

The solutions that exist so far have many disadvantages. The well-known aluminium plates become slippery when it rains. In addition, they are often far too steep, which can lead to hazardous situations.

The existing solutions are noisy, heavy and unwieldy. All known solutions come in one fixed size and therefore lack flexibility.

The SecuCare modular threshold ramp is a solution that was preceded by 1.5 years of research. The system is made of durable plastic and is 95% recyclable. It consists of various components that are easy to assemble. Together, they form a threshold ramp that fits in all situations.

The system is suitable for indoor and outdoor use. There are 6 standard sets, all suitable for most outdoor and indoor thresholds. In addition, there are endless possibilities for customisation: see page 46 & 47.

The system is light, very strong, easy to dismantle, has a 5-year warranty, is maintenance-free, and comes with all the necessary installation materials. All it takes to assemble the ramp is a hammer!

Of course, the modular threshold ramp can also be used to easily push other 'rolling materials' over a threshold, such as bicycles, motorcycles, lawnmowers and wheelbarrows.



you no longer have to lift your walker over the threshold



remove indoor thresholds



sustainable and low-maintenance



also handy for your mobility scooter



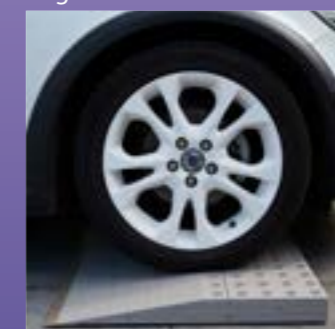
simplify access to your motorcycle shed



simplify access to your shed or garden house



easy to assemble



max. load: 850 kg/m²



safe exit with mobility scooter

TIPS

- ▶ available in numerous custom designs: higher, wider, angled on 1, 2 or 3 sides, etc.
- ▶ for customisation: see page 46
- ▶ watch the threshold ramp video at: go.secu.nl/drempel-hulp (without 'www' in the address bar; available in Dutch only)

Standard sets

The SecuCare threshold ramp consists of 16 individual components. From this, 6 standard sets have been compiled that can be used to solve many threshold problems. With standard extension sets for all 6 sets to make the threshold ramps wider or accessible from the side.

Customisation

By using the individual components, the unique threshold ramp is ideally suited for customised work.

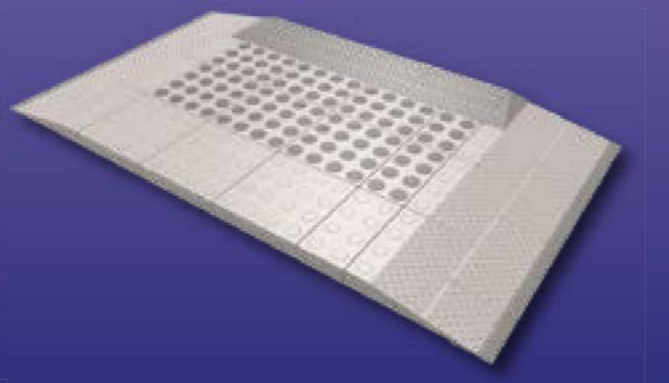
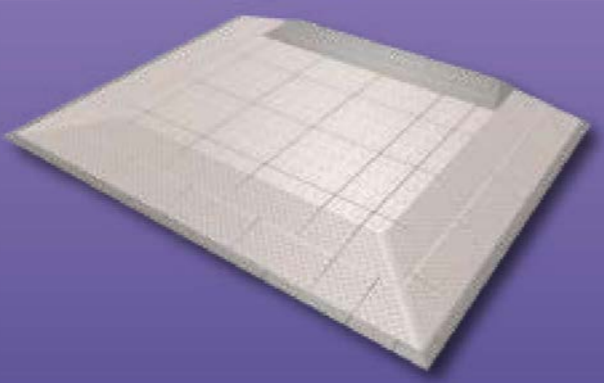
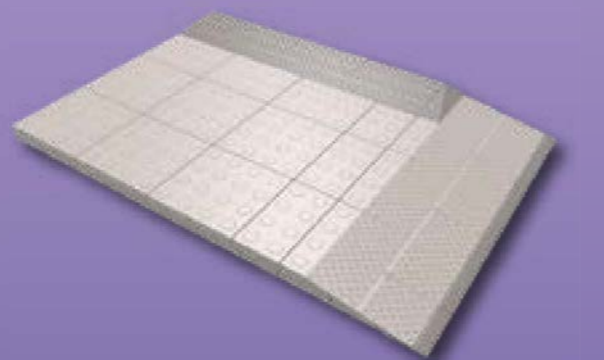
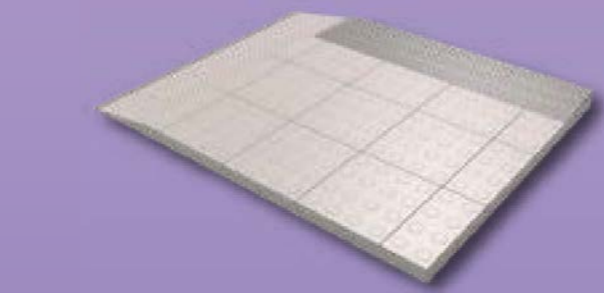
Almost anything is possible. For example: higher than standard (120 mm), wider than standard (840 mm or 1080 mm), 1-, 2- and 3-sided approach (for apartments with a narrow hallway), platform application (for people in a wheelchair or mobility scooter), recess at the bottom, etc.

Customised solutions can be delivered quickly.

Further details

Please contact our sales department via verkoop@secu.nl or +31 (0)252 620 901.

We are happy to help!



design: 2-sided approach



design: 2-sided walkway/gallery solution



design: 3-sided approach



design: 2-sided for side access



design: 1-sided raised with corner



design: platform: more comfortable and safer

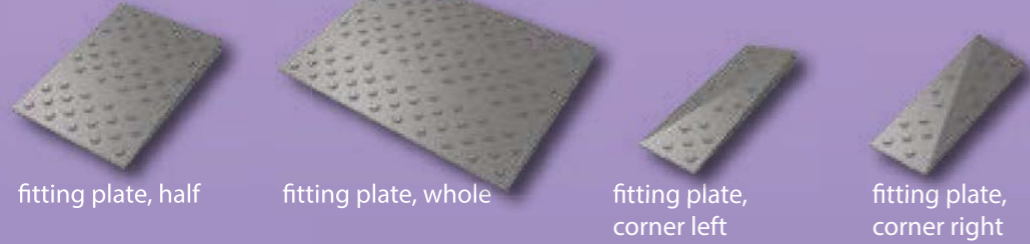
TIPS

- ▶ customisation for everything that cannot be solved with the standard sets
- ▶ everything is possible: wider, higher, 1-, 2- and 3-sided approach, flat platform
- ▶ need some help? Contact us via verkoop@secu.nl or +31 (0)252 620 901
- ▶ watch the threshold ramp video at: go.secu.nl/drempel-hulp (without 'www' in the address bar; available in Dutch only)

Separate components:

These pages contain individual components for the modular threshold ramp, especially for installers. For normal use, see pages 50 - 61 for the complete sets.

Fitting plates



Connectors



Drive-up ramps



Tiles



Filling tile

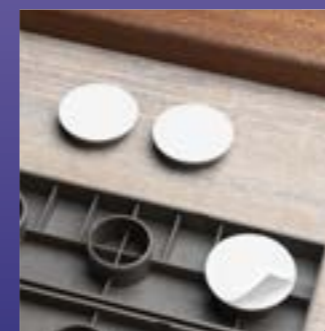


Caps



| description | article number | Product code | number in package | colour |
|-------------------------------------|----------------|--------------|-------------------|--------|
| fitting plate, half | 8025.900.10 | 14 | 18 | brown |
| fitting plate, whole | 8025.900.09 | 13 | 18 | brown |
| fitting plate, corner left | 8025.900.23 | 23 | 10 | brown |
| fitting plate, corner right | 8025.900.24 | 24 | 10 | brown |
| corner connector 1x1 | 8025.900.14 | 9 | 25 | brown |
| connector 2x1 | 8025.900.13 | 11 | 25 | brown |
| connector 4x1 | 8025.900.11 | 10 | 25 | brown |
| connector 2x2 | 8025.900.12 | 12 | 25 | brown |
| ramp, half | 8025.900.07 | 7 | 20 | grey |
| ramp, whole | 8025.900.06 | 5 | 26 | grey |
| ramp, corner | 8025.900.08 | 8 | 10 | grey |
| tile, quarter | 8025.900.05 | 6 | 18 | grey |
| tile, half | 8025.900.03 | 3 | 18 | grey |
| tile, whole | 8025.900.01 | 1 | 18 | grey |
| filling tile, half | 8025.900.04 | 4 | 18 | grey |
| filling tile, whole | 8025.900.02 | 2 | 18 | grey |
| filler cap, flat (grey) | 8025.900.21 | 21 | 50 | grey |
| anti-slip cap | 8025.900.15 | 15 | 50 | brown |
| laminate caps incl. adhesive fixing | 8025.900.16 | | 3 | grey |
| bag of installation materials* | 8025.900.0 | | various articles | |

*contents: 1 strike plate, screws, washers and plugs



fix to laminate or tiles using laminate caps with tape



filler caps available in grey and brown



anti-slip caps

TIPS

- ▶ separate components only for installers, see sets from page 50 onwards
- ▶ need some help? Contact us via verkoop@secu.nl or +31 (0)252 620 901
- ▶ watch the threshold ramp video at: go.secu.nl/drempel-hulp (without 'www' in the address bar; available in Dutch only)

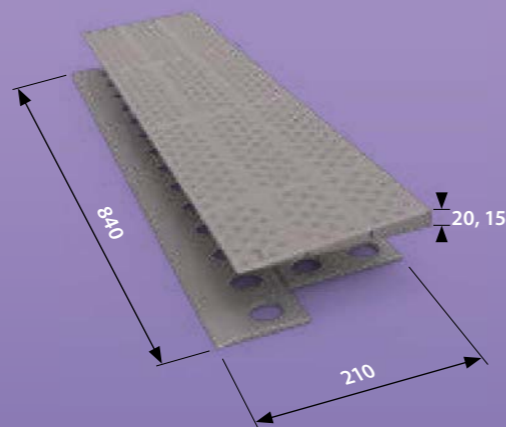


Product features

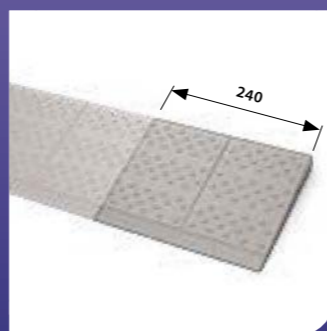
- for anyone with a walker, wheelchair, mobility scooter
- modular: individual components, easy to assemble
- always a safe angle of inclination of 5 degrees
- for indoor and outdoor use
- integrated anti-slip studs: always good grip, even when it rains
- very strong: maximum load of 850 kg/m² (it could even hold a car)
- height-adjustable (see table)
- light-weight and strong: wear-resistant, UV-resistant synthetic material
- sustainable: 95% recyclable and low-maintenance
- stylish: fits in every house due to its shape, materials and colour
- can be fixed to the substrate in various ways (fixings included)

Installation materials (included)

- 3 chipboard screws 4x30 round head
- 3 chipboard screws 4x50 round head
- 3 washers M5
- 3 sheet-metal rings
- 3 plugs S6
- 3 laminate feet
- 3 double sided tape for laminate feet
- 1 strike plate



| description | article number | dimensions WxHxD (mm) | height (mm) adjustable in steps | layers | colour |
|-------------------------------|----------------|-----------------------|---------------------------------|---------|--------|
| modular threshold ramp, set 1 | 8025.010.10 | 840x20x210 | from 20 > 15 | 1 layer | brown |
| extension set for set 1 | 8025.050.10 | 240x20x210 | from 20 > 15 | 1 layer | brown |



extension set 240 mm makes total length of 1080 mm



ideal for indoor thresholds



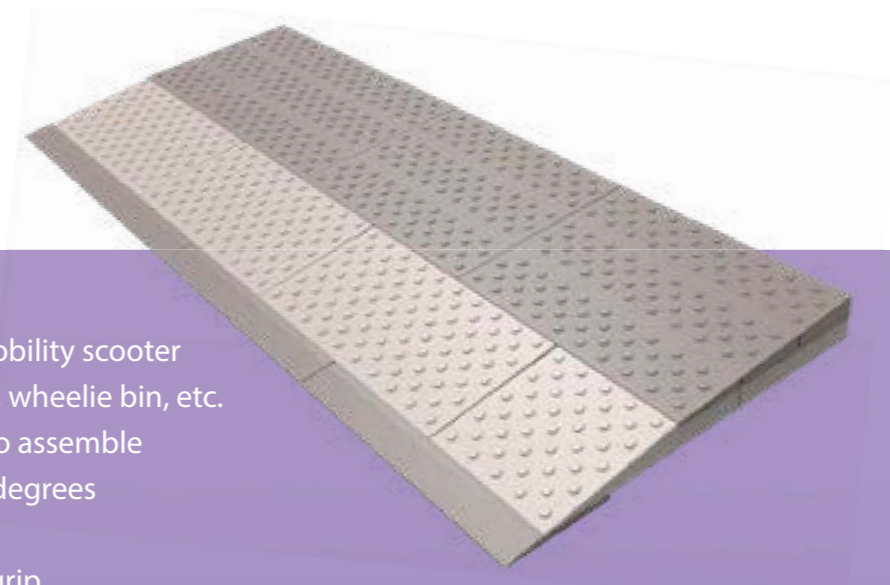
fix to threshold with supplied screw



fix to laminate or tiles using laminate caps with tape

TIPS

- ▶ in most cases, set 1 will be applied at thresholds of interior doors
- ▶ for customisation: see page 46
- ▶ exclusively for installers: individual components instead of sets, see page 48
- ▶ for installers: inquire about the purchase of individual components instead of sets
- ▶ watch the threshold ramp video at: go.secu.nl/drempel-hulp (without 'www' in the address bar; available in Dutch only)

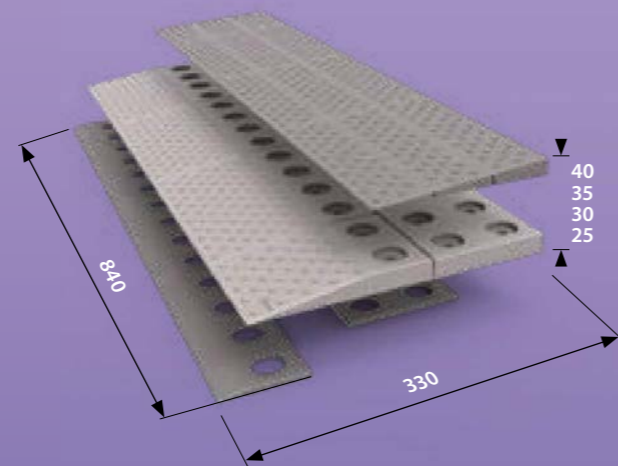


Product features

- for anyone with a walker, wheelchair, mobility scooter
- can also be used for bicycle, motorcycle, wheelie bin, etc.
- modular: individual components, easy to assemble
- always a safe angle of inclination of 9.5 degrees
- for indoor and outdoor use
- integrated anti-slip studs: always good grip, even when it rains
- very strong: maximum load of 850 kg/m² (it could even hold a car)
- height-adjustable (see table)
- multiple custom solutions
- light-weight and strong: wear-resistant, UV-resistant synthetic material
- sustainable: 95% recyclable and low-maintenance
- can be fixed to the substrate in various ways (fixings included)

Installation materials (included)

- 3 chipboard screws 4x30 round head
- 3 chipboard screws 4x50 round head
- 3 washers M5
- 3 sheet-metal rings
- 3 plugs S6
- 3 laminate feet
- 3 double sided tape for laminate feet
- 1 strike plate



| description | article number | dimensions WxHxD (mm) | height (mm) adjustable in steps | layers | colour |
|---|----------------|----------------------------|---------------------------------|-----------|-------------|
| modular threshold ramp, set 2 | 8025.010.20 | 840x40x330 | from 40 > 35 > 30 > 25 | 2-layered | grey, brown |
| extension set for set 2 | 8025.050.20 | 240x40x330 | from 40 > 35 > 30 > 25 | 2-layered | grey, brown |
| anti-slip cap set (14 items) | 8025.010.01 | | | | brown |
| filler cap set (14 items) | 8025.010.02 | | | | grey |
| 2-layered corner extension left and/or right* | 8025.054.20 | 1050x40x330 1250x40x330 | | 2-layered | grey, brown |

* 1 corner extension for use on left or right (2-sided approach)
2 corner sets for use on the left and right (3-sided approach)

extension sets 2- and 3-sided



1 x set 2 corner extension for side access (left or right)

2 x set 2 corner extension for side access (left and right)



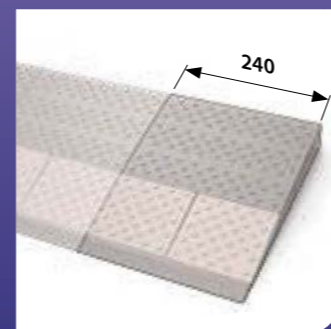
easily adjustable height



filler caps needed after customising threshold ramp



or choose anti-slip caps



extension set 240 mm makes total length of 1080 mm



cross every threshold without any problems



fix in stone



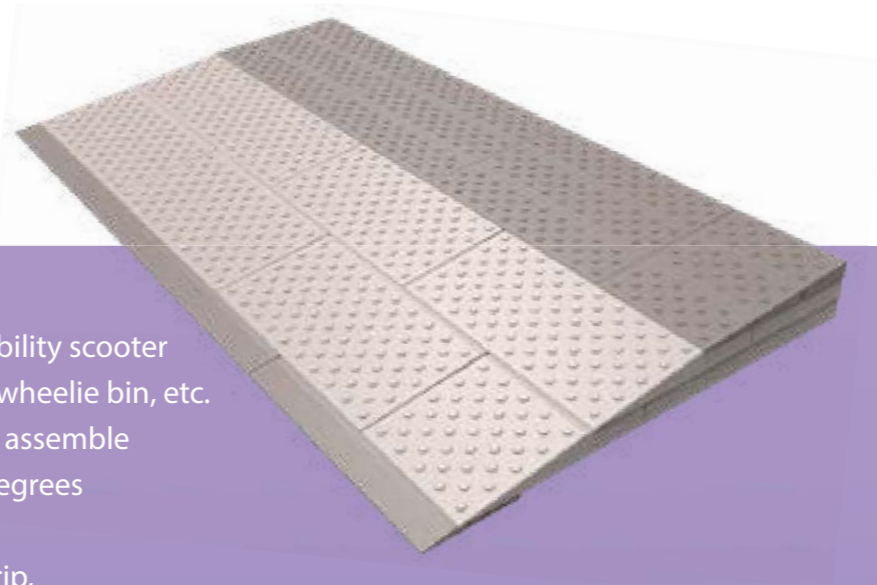
fix to threshold



fix to laminate or tiles using laminate caps with tape

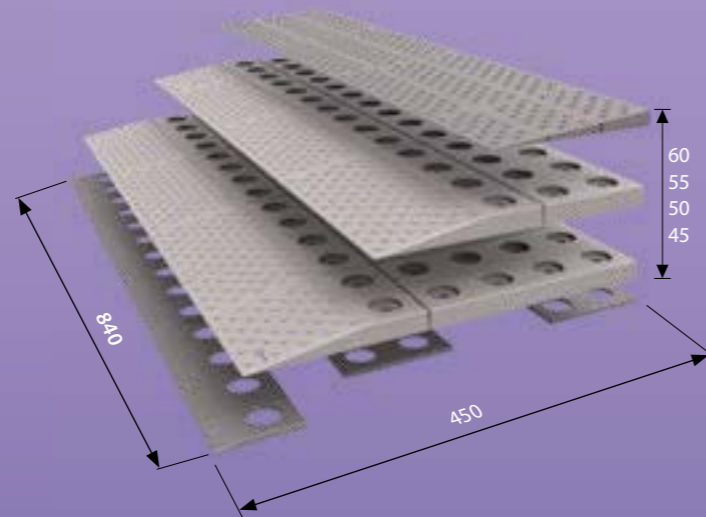
TIPS

- ▶ for customisation: see page 46
- ▶ exclusively for installers: individual components instead of sets, see page 48
- ▶ use filler caps or anti-slip caps when the height of the threshold ramp is adjusted
- ▶ watch the threshold ramp video at: go.secu.nl/drempel-hulp (without 'www' in the address bar; available in Dutch only)



Product features

- for anyone with a walker, wheelchair, mobility scooter
- can also be used for bicycle, motorcycle, wheelie bin, etc.
- modular: individual components, easy to assemble
- always a safe angle of inclination of 9.5 degrees
- for indoor and outdoor use
- integrated anti-slip studs: always good grip, even when it rains
- very strong: maximum load of 850 kg/m² (it could even hold a car)
- height-adjustable (see table)
- multiple custom solutions
- light-weight and strong: wear-resistant, UV-resistant synthetic material
- sustainable: 95% recyclable and low-maintenance
- can be fixed to the substrate in various ways (fixings included)



Installation materials (included)

- 3 chipboard screws 4x30 round head
- 3 chipboard screws 4x50 round head
- 3 washers M5
- 3 sheet-metal rings
- 3 plugs S6
- 3 laminate feet
- 3 double sided tape for laminate feet
- 1 strike plate



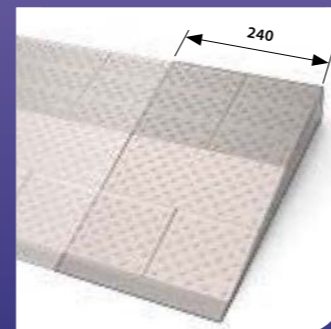
easily adjustable height



filler caps needed after customising threshold ramp



or choose anti-slip caps

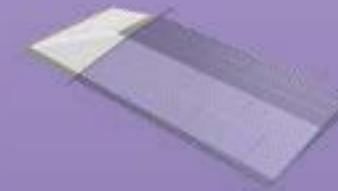


extension set 240 mm makes total length of 1080 mm

| description | article number | dimensions WxHxD (mm) | height (mm) adjustable in steps | layers | colour |
|---|----------------|----------------------------|---------------------------------|-----------|-------------|
| modular threshold ramp, set 3 | 8025.010.30 | 840x60x450 | from 60 > 55 > 50 > 45 | 3-layered | grey, brown |
| extension set for set 3 | 8025.050.30 | 240x60x450 | from 60 > 55 > 50 > 45 | 3-layered | grey, brown |
| anti-slip cap set (14 items) | 8025.010.01 | | | | brown |
| filler cap set (14 items) | 8025.010.02 | | | | grey |
| 3-layered corner extension left and/or right* | 8025.054.30 | 1160x60x450 1490x60x450 | | 3-layered | grey, brown |

* 1 corner extension for use on left or right (2-sided approach)
2 corner sets for use on the left and right (3-sided approach)

extension sets 2- and 3-sided



1 x set 3 corner extension for side access (left or right)



2 x set 3 corner extension for side access (left and right)



very strong and practical



fix in stone



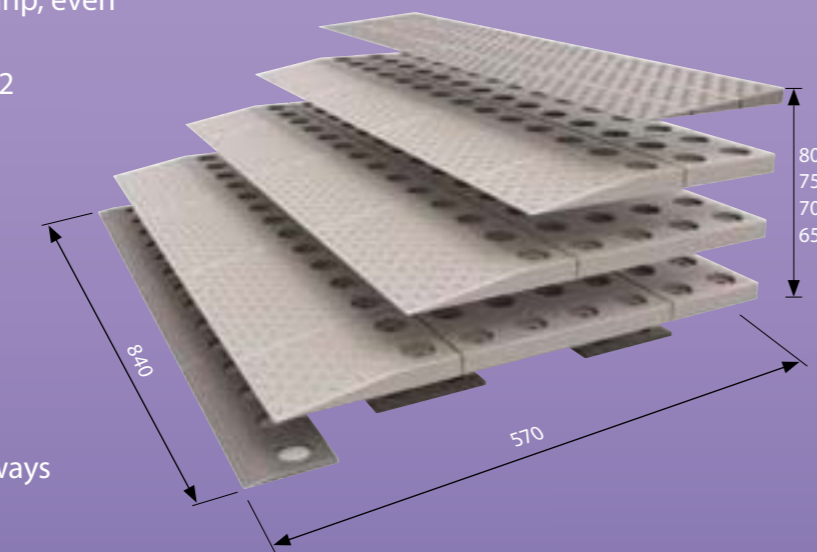
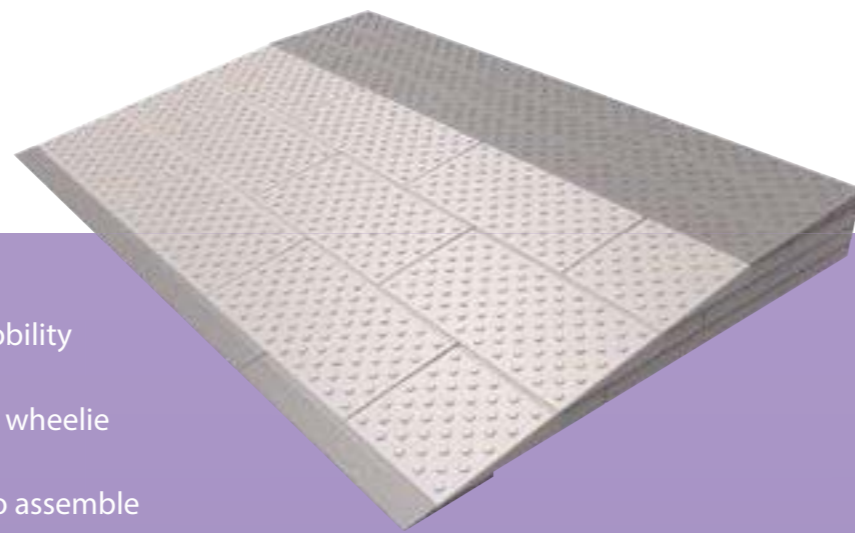
fix to threshold



fix to laminate or tiles using laminate caps with tape

TIPS

- ▶ for customisation: see page 46
- ▶ exclusively for installers: individual components instead of sets, see page 48
- ▶ use filler caps or anti-slip caps when the height of the threshold ramp is adjusted
- ▶ watch the threshold ramp video at: go.secu.nl/drempel-hulp (without 'www' in the address bar; available in Dutch only)



Product features

- for anyone with a walker, wheelchair, mobility scooter
- can also be used for bicycle, motorcycle, wheelie bin, etc.
- modular: individual components, easy to assemble
- always a safe angle of inclination of 9.5 degrees
- for indoor and outdoor use
- integrated anti-slip studs: always good grip, even when it rains
- very strong: maximum load of 850 kg/m² (it could even hold a car)
- height-adjustable (see table)
- multiple custom solutions
- light-weight and strong: wear-resistant, UV-resistant synthetic material
- sustainable: 95% recyclable and low-maintenance
- can be fixed to the substrate in various ways (fixings included)

Installation materials (included)

- 3 chipboard screws 4x30 round head
- 3 chipboard screws 4x50 round head
- 3 washers M5
- 3 sheet-metal rings
- 3 plugs S6
- 3 laminate feet
- 3 double sided tape for laminate feet
- 1 strike plate



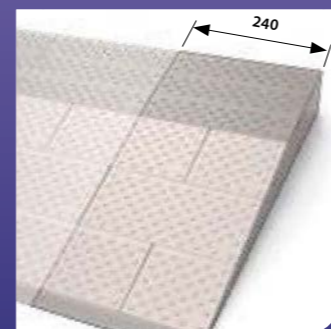
easily adjustable height



filler caps needed after customising threshold ramp



or choose anti-slip caps



extension set 240 mm makes total length of 1080 mm

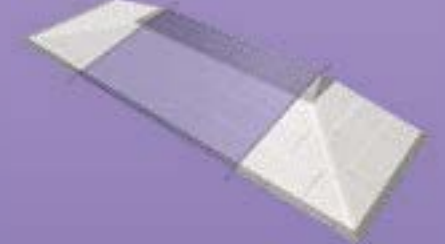
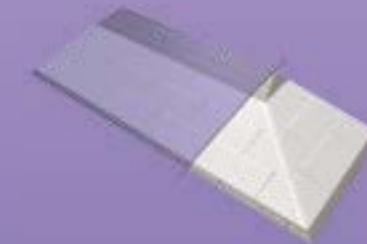
| description | article number | dimensions WxHxD (mm) | height (mm) adjustable in steps | layers | colour |
|--|----------------|----------------------------|---------------------------------|-----------|-------------|
| modular threshold ramp, set 4 | 8025.010.40 | 840x80x570 | from 80 > 75 > 70 > 65 | 4-layered | grey, brown |
| extension set for set 4 | 8025.050.40 | 240x80x570 | from 80 > 75 > 70 > 65 | 4-layered | grey, brown |
| anti-slip cap set (14 items) | 8025.010.01 | | | | brown |
| filler cap set (14 items) | 8025.010.02 | | | | grey |
| 4-layered corner extension left and/or right** | 8025.054.40 | 1280x80x570 1730x80x570 | | 4-layered | grey, brown |

* 1 corner extension for use on left or right (2-sided approach)
2 corner sets for use on the left and right (3-sided approach)

extension sets 2- and 3-sided



1 x set 4 corner extension for side access (left or right)



2 x set 4 corner extension for side access (left and right)



cross every threshold safely and comfortably



fix in stone



fix to threshold



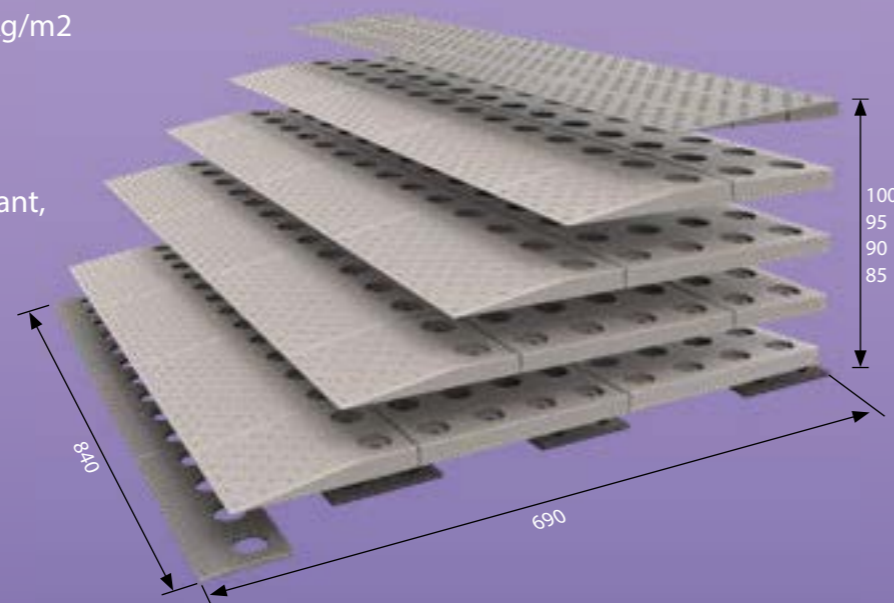
fix to laminate or tiles using laminate caps with tape

TIPS

- ▶ for customisation: see page 46
- ▶ exclusively for installers: individual components instead of sets, see page 48
- ▶ use filler caps or anti-slip caps when the height of the threshold ramp is adjusted
- ▶ watch the threshold ramp video at: go.secu.nl/drempel-hulp (without 'www' in the address bar; available in Dutch only)

Product features

- for anyone with a walker, wheelchair, mobility scooter
- can also be used for bicycle, motorcycle, wheelie bin, etc.
- modular: individual components, easy to assemble
- always a safe angle of inclination of 9.5 degrees
- for indoor and outdoor use
- integrated anti-slip studs: always good grip, even when it rains
- very strong: maximum load of 850 kg/m² (it could even hold a car)
- height-adjustable (see table)
- multiple custom solutions
- light-weight and strong: wear-resistant, UV-resistant synthetic material
- sustainable: 95% recyclable and low-maintenance
- can be fixed to the substrate in various ways (fixings included)



Installation materials (included)

- 3 chipboard screws 4x30 round head
- 3 chipboard screws 4x50 round head
- 3 washers M5
- 3 sheet-metal rings
- 3 plugs S6
- 3 laminate feet
- 3 double sided tape for laminate feet
- 1 strike plate



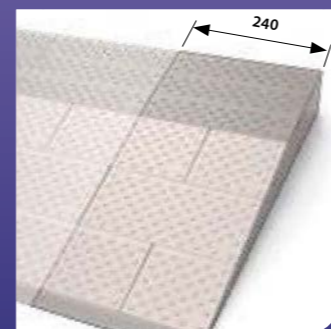
easily adjustable height



filler caps needed after customising threshold ramp



or choose anti-slip caps

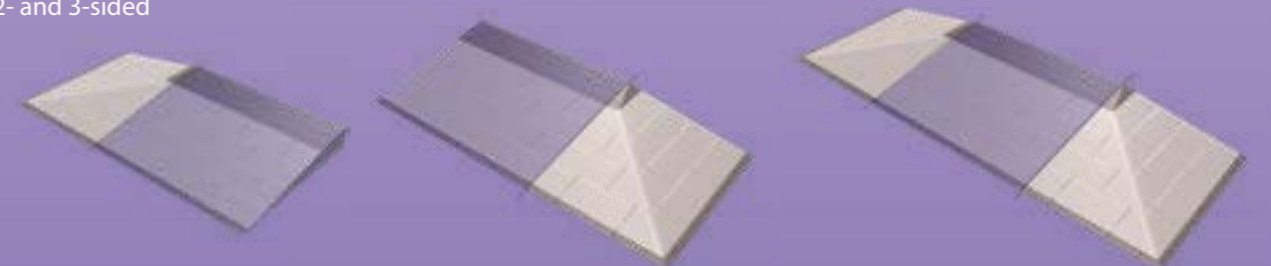


extension set 240 mm makes total length of 1080 mm

| description | article number | dimensions WxHxD (mm) | height (mm) adjustable in steps | layers | colour |
|---|----------------|------------------------------|---------------------------------|-----------|-------------|
| modular threshold ramp, set 5 | 8025.010.50 | 840x100x690 | from 85 > 90 > 95 > 100 | 5-layered | grey, brown |
| extension set for set 5 | 8025.050.50 | 240x100x690 | from 85 > 90 > 95 > 100 | 5-layered | grey, brown |
| anti-slip cap set (14 items) | 8025.010.01 | | | | brown |
| filler cap set (14 items) | 8025.010.02 | | | | grey |
| 5-layered corner extension left and/or right* | 8025.054.50 | 1400x100x690 1970x100x690 | | 5-layered | grey, brown |

* 1 corner extension for use on left or right (2-sided approach)
2 corner sets for use on the left and right (3-sided approach)

extension sets 2- and 3-sided



1 x set 5 corner extension for side access (left or right)

2 x set 5 corner extension for side access (left and right)



cross every threshold safely and comfortably



fix in stone



fix to threshold



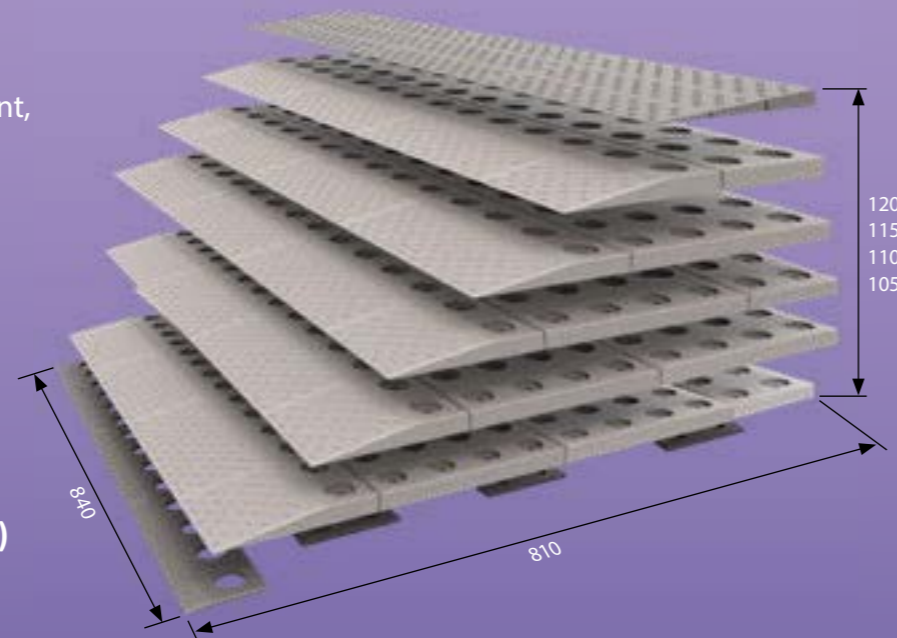
fix to laminate or tiles using laminate caps with tape

TIPS

- ▶ for customisation: see page 46
- ▶ exclusively for installers: individual components instead of sets, see page 48
- ▶ use filler caps or anti-slip caps when the height of the threshold ramp is adjusted
- ▶ watch the threshold ramp video at: go.secu.nl/drempel-hulp (without 'www' in the address bar; available in Dutch only)

Product features

- for anyone with a walker, wheelchair, mobility scooter
- can also be used for bicycle, motorcycle, wheelie bin, etc.
- modular: individual components, easy to assemble
- always a safe angle of inclination of 9.5 degrees
- for indoor and outdoor use
- integrated anti-slip studs: always good grip, even when it rains
- very strong: maximum load of 850 kg/m² (it could even hold a car)
- height-adjustable (see table)
- multiple custom solutions
- light-weight and strong: wear-resistant, UV-resistant synthetic material
- sustainable: 95% recyclable and low-maintenance
- can be fixed to the substrate in various ways (fixings included)



Installation materials (included)

- 3 chipboard screws 4x30 round head
- 3 chipboard screws 4x50 round head
- 3 washers M5
- 3 sheet-metal rings
- 3 plugs S6
- 3 laminate feet
- 3 double sided tape for laminate feet
- 1 strike plate



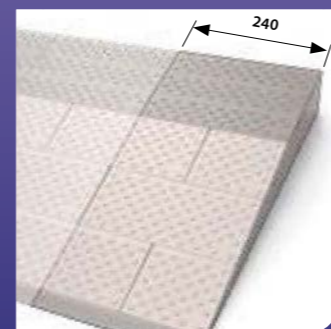
easily adjustable height



filler caps needed after customising threshold ramp



or choose anti-slip caps

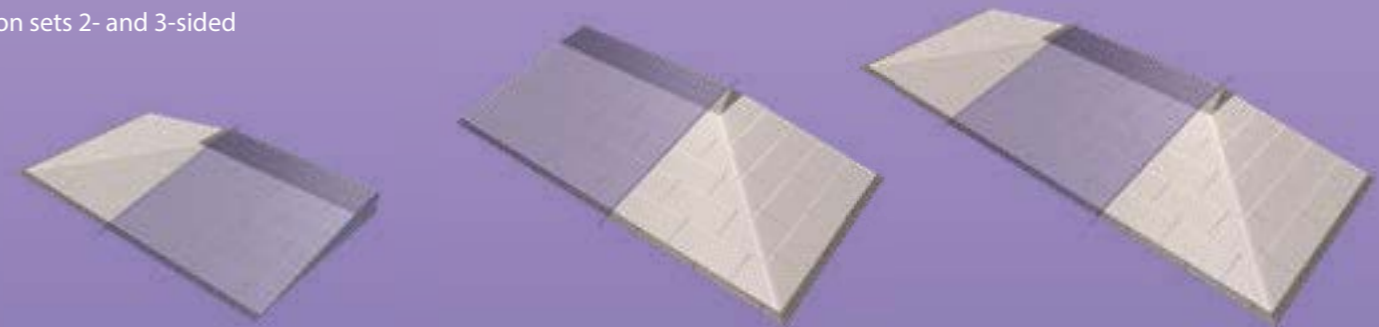


extension set 240 mm makes total length of 1080 mm

| description | article number | dimensions WxHxD (mm) | height (mm) adjustable in steps | layers | colour |
|---|----------------|------------------------------|---------------------------------|-----------|-------------|
| modular threshold ramp, set 6 | 8025.010.60 | 840x120x810 | from 105 > 110 > 115 > 120 | 6-layered | grey, brown |
| extension set for set 6 | 8025.050.60 | 240x120x810 | from 105 > 110 > 115 > 120 | 6-layered | grey, brown |
| anti-slip cap set (14 items) | 8025.010.01 | | | | brown |
| filler cap set (14 items) | 8025.010.02 | | | | grey |
| 6-layered corner extension left and/or right* | 8025.054.60 | 1530x120x810 2200x120x810 | | 6-layered | grey, brown |

* 1 corner extension for use on left or right (2-sided approach)
2 corner sets for use on the left and right (3-sided approach)

extension sets 2- and 3-sided



1 x set 6 corner extension for side access (left or right)

2 x set 6 corner extension for side access (left and right)



cross every threshold safely and comfortably



fix in stone



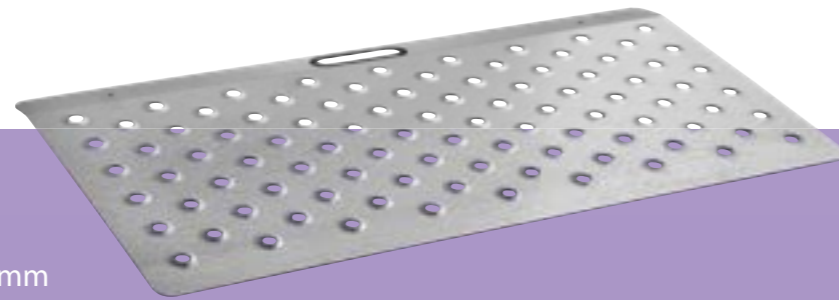
fix to threshold



fix to laminate or tiles using laminate caps with tape

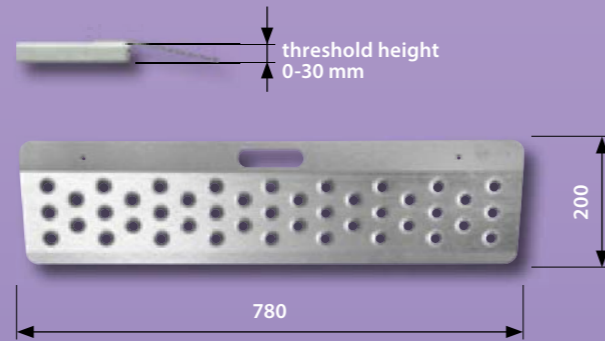
TIPS

- ▶ for customisation: see page 46
- ▶ exclusively for installers: individual components instead of sets, see page 48
- ▶ use filler caps or anti-slip caps when the height of the threshold ramp is adjusted
- ▶ watch the threshold ramp video at: go.secu.nl/drempel-hulp (without 'www' in the address bar; available in Dutch only)



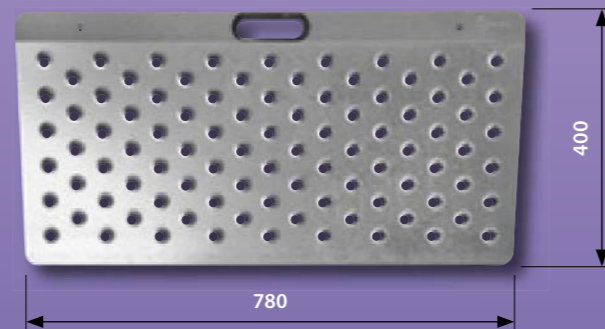
Product features

- cross the threshold easily
- bridging height differences of up to 150 mm
- fitted with studs to prevent slipping
- equipped with a handle and two mounting holes
- user friendly
- maximum load: 150 kg
- sendzimir galvanized steel
- model 3 has raised edges on both sides to ensure safe passage



Installation materials

- not included



Threshold ramp Sill mounting

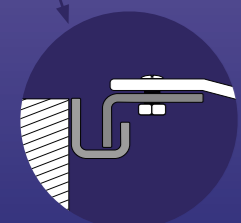
Product features

- solution where it is not possible to place the threshold aid on the sill
- To be used in combination with: Threshold ramp Plus type 1/2/3 and our aluminium ramps



Installation materials

- 2 screw M5x10
- 2 spring washer M5
- 2 nut M5
- 4 chipboard screw 4x30 mm



| description | article number | width (mm) | threshold height from/to (mm) | weight (kg) | max. weight (kg) | materials |
|------------------------------|----------------|------------|-------------------------------|-------------|------------------|----------------------------|
| Plus type 1 | 8025.006.01 | 780 | 0 - 30 | 3,3 | 150 | sendzimir galvanized steel |
| Plus type 2 | 8025.006.02 | 780 | 30 - 70 | 5,8 | 150 | sendzimir galvanized steel |
| Plus type 3 | 8025.006.03 | 780 | 50 - 150 | 8,5 | 150 | sendzimir galvanized steel |
| Threshold ramp sill mounting | 8025.006.00 | | | 1,05 | 150 | sendzimir galvanized steel |



threshold plus type 2



Type 2 and 3 are equipped with a plastic carrying handle



anti-slip

TIPS

- ▶ advantage: ready to use, just screw it to the threshold
- ▶ fitted with anti-slip studs
- ▶ choose model 3 for a lower angle of inclination (more comfort)

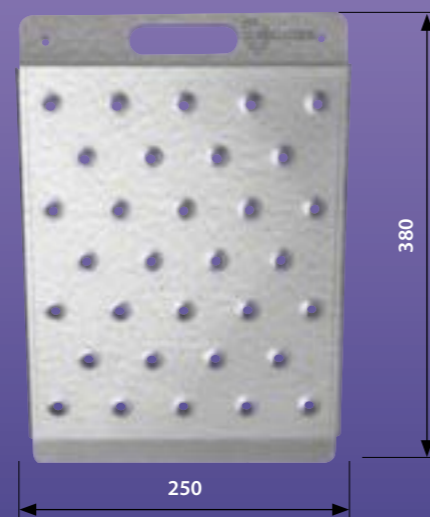
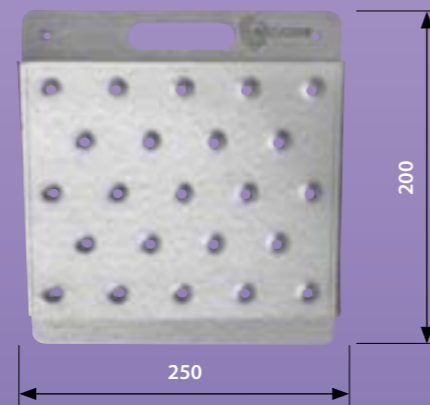


Product features

- lightweight with convenient carrying handle
- maximum load: 150 kg
- fitted with studs to prevent slipping

Applications

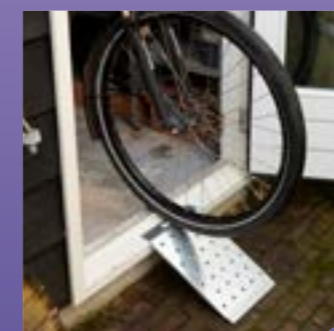
- ideal for electric bicycles, motorcycles, wheelbarrow, etc.



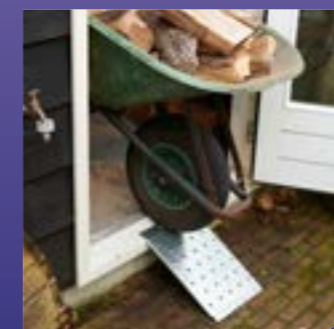
| description | article number | width (mm) | threshold height from/to (mm) | weight (kg) | max. weight (kg) | materials |
|------------------|----------------|------------|-------------------------------|-------------|------------------|----------------------------|
| Plus mini type 1 | 8025.006.07 | 25 | 30-70 | 1,2 | 150 | sendzimir galvanized steel |
| Plus mini type 2 | 8025.006.08 | 25 | 70-150 | 1,5 | 150 | sendzimir galvanized steel |



Plus mini type 1



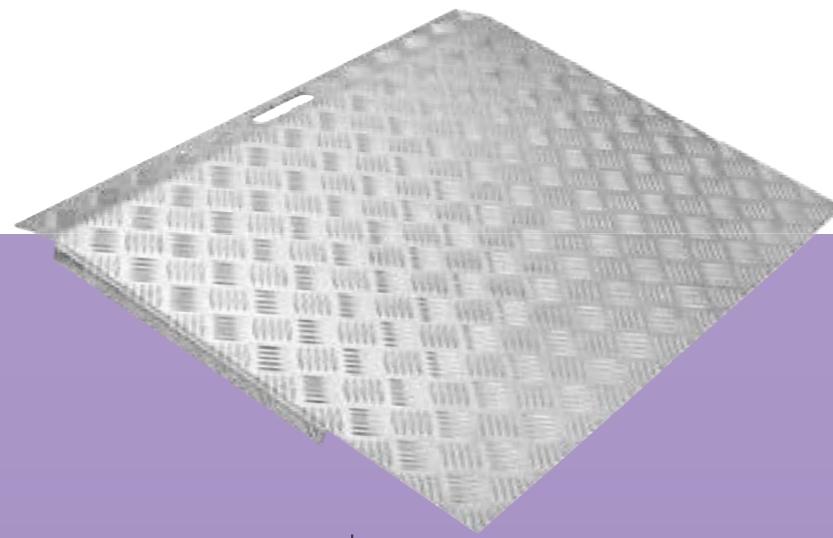
Plus mini type 2



Plus mini type 2

TIPS

- ▶ small and light weight so easy to take with you
- ▶ ideal for electric bicycles, motorcycles, wheelbarrow, etc.



Product features

- cross the threshold easily
- bridging height differences of up to 150 mm
- made of aluminium diamond plate
- equipped with a handle and two mounting holes
- user friendly
- maximum load: 150 kg
- watch out for slipping danger due to rain or snow (choose modular threshold ramp on previous pages for a weather-proof system)
- colour: natural aluminium
- low-cost solution

Installation materials

- not included

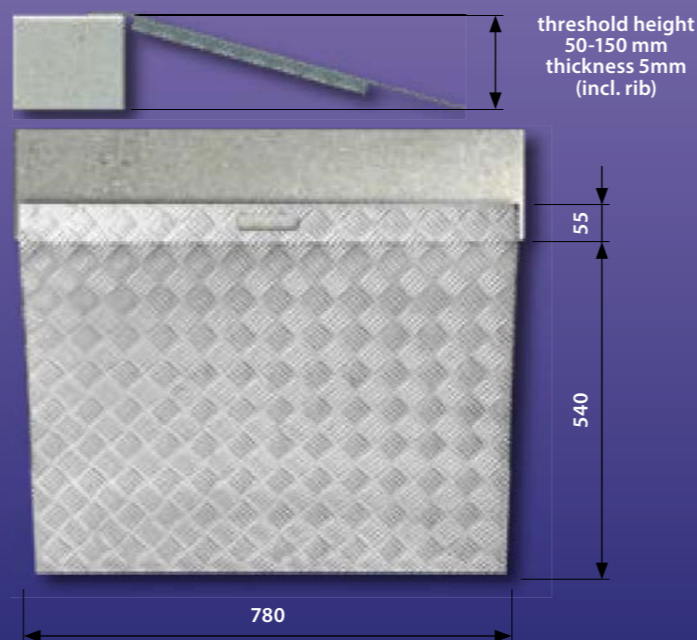
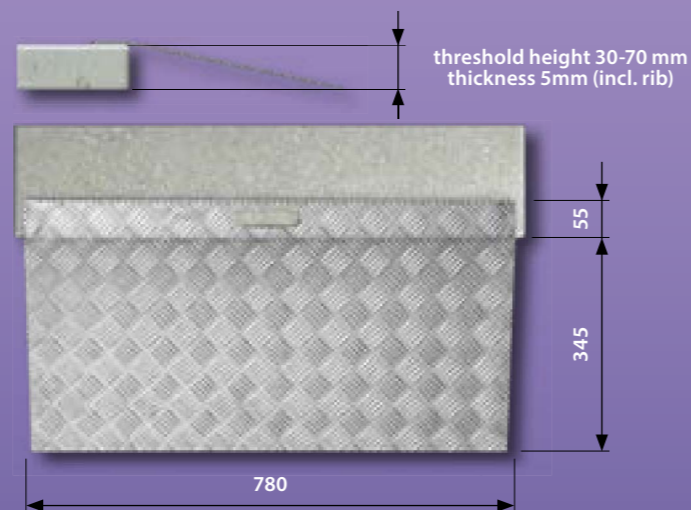
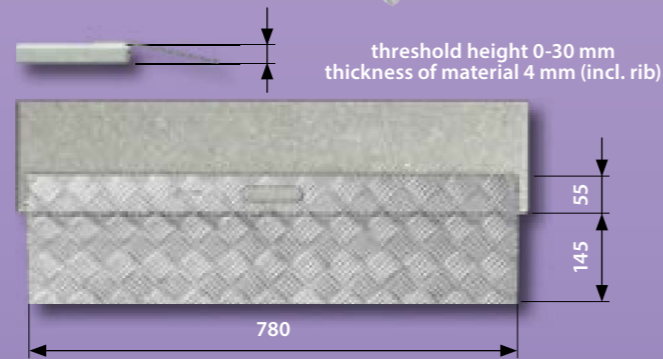
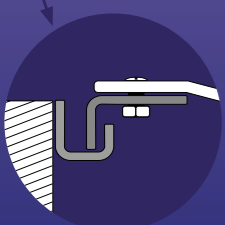
Threshold ramp Sill mounting

Product features

- solution where it is not possible to place the threshold aid on the sill
- To be used in combination with: Threshold ramp Plus type 1/2/3 and our aluminium ramps

Installation materials

- 2 screw M5x10
- 2 spring washer M5
- 2 nut M5
- 4 chipboard screw 4x30 mm



| description | article number | width (mm) | threshold height from/to (mm) | colour | weight (kg) | max. weight (kg) | materials |
|------------------------------|----------------|------------|-------------------------------|---------|-------------|------------------|----------------------------|
| type 1 | 8025.005.01 | 780 | 0-30 | natural | 1.2 | 150 | aluminium |
| type 2 | 8025.005.02 | 780 | 30-70 | natural | 3 | 150 | aluminium |
| type 3 | 8025.005.03 | 780 | 50-150 | natural | 4.5 | 150 | aluminium |
| Threshold ramp sill mounting | 8025.006.00 | | | | 1,05 | 150 | sendzimir galvanized steel |



threshold ramp, aluminium, type 1 at a front door



type 2 at a garden door



type 2



type 3

TIPS

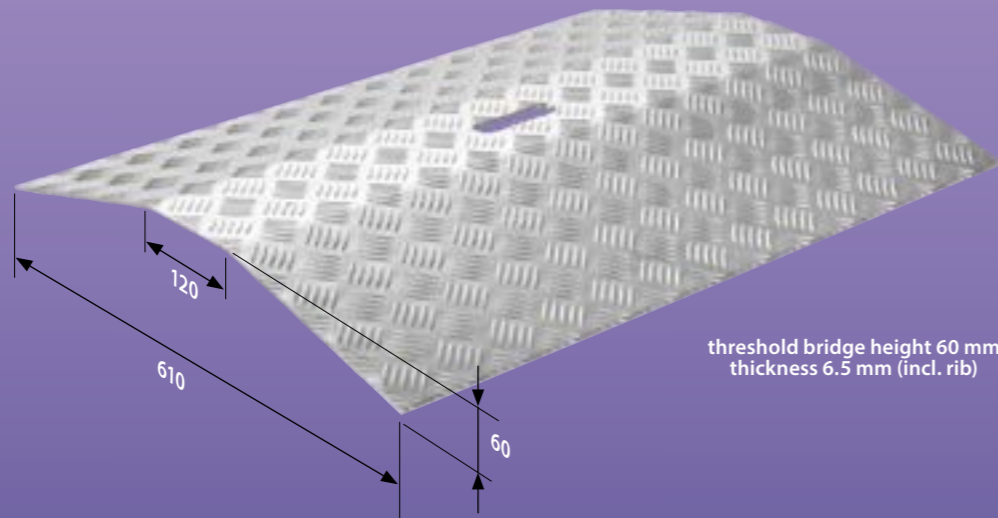
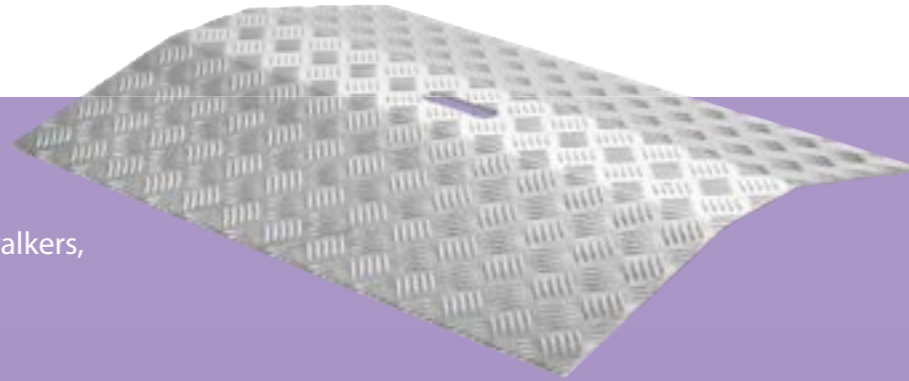
- ▶ advantage: ready to use, just screw it together
- ▶ watch out for slipping danger due to rain or snow (choose modular system on previous pages for a weather-proof system)
- ▶ choose model 3 for a lower angle of inclination (more comfort)

Product features

- cross the threshold easily
- ideal for quickly making bridges for walkers, wheelchairs and mobility scooters
- bridging thresholds of up to 60 mm
- made of aluminium diamond plate
- equipped with a handle
- user friendly
- maximum load: 150 kg
- watch out for slipping danger due to rain or snow (choose modular threshold ramp on previous pages for a weather-proof system)
- colour: natural aluminium
- low-cost solution

Installation materials

- not applicable



threshold bridge height 60 mm
thickness 6.5 mm (incl. rib)

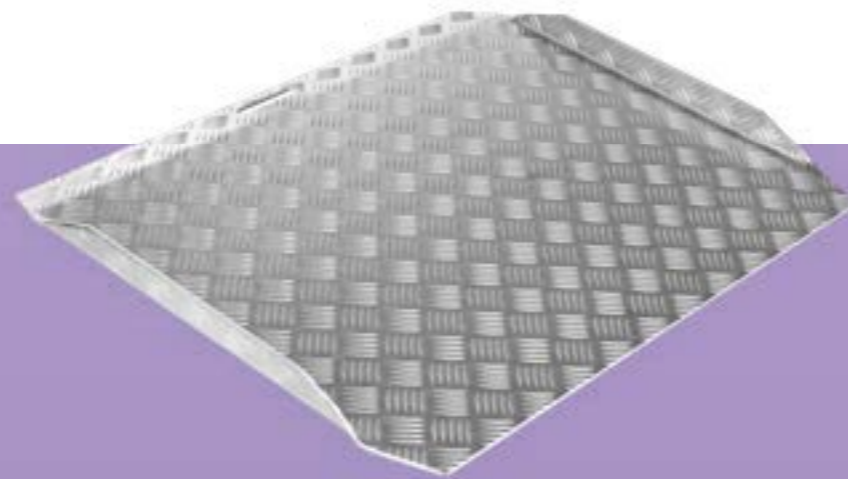
| description | article number | width (mm) | threshold height from/to (mm) | colour | weight (kg) | max. weight (kg) | materials |
|-------------|----------------|------------|-------------------------------|---------|-------------|------------------|-----------|
| type 3 | 8025.005.22 | 780 | 60 | natural | 4.5 | 150 | aluminium |



threshold bridge, type 3

TIPS

- ▶ the threshold bridge is ideal for situations where a temporary threshold ramp is required and a permanent threshold is not necessary or even undesirable
- ▶ no need to install it, just put the bridge over the threshold and you're done
- ▶ the handle makes quick removal easy
- ▶ also ideal to put on top of cables etc. to prevent tripping

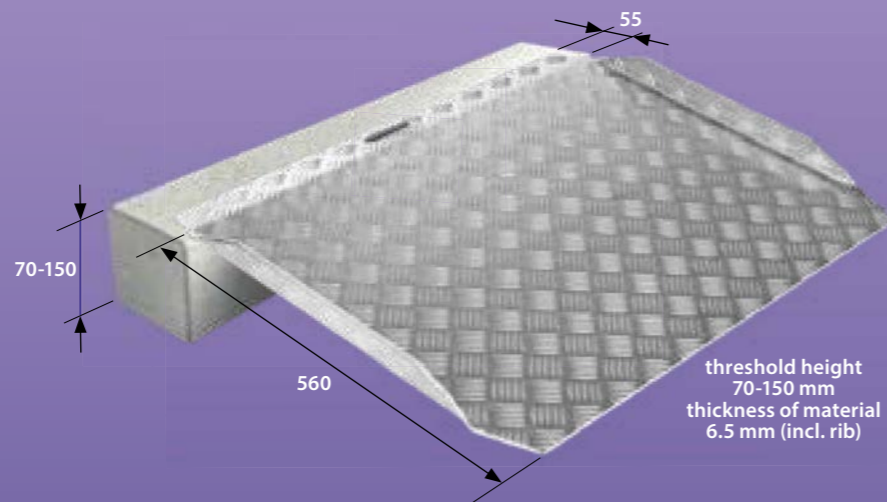


Product features

- cross the threshold easily
- bridging thresholds of up to 150 mm
- maximum load: 300 kg
- ideal for heavy mobility scooters
- of course also suitable for walkers, wheelchairs, wheelbarrows and e-bikes
- made of aluminium diamond plate
- raised edges ensure safe passage
- equipped with a handle and two mounting holes
- user friendly
- watch out for slipping danger due to rain or snow (choose modular threshold ramp on previous pages for a weather-proof system)
- colour: natural aluminium

Installation materials

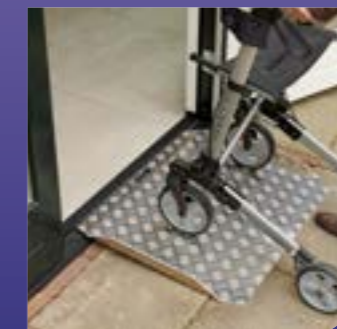
- not included



| description | article number | width (mm) | threshold height from/to (mm) | colour | weight (kg) | max. weight (kg) | materials |
|-------------------|----------------|------------|-------------------------------|---------|-------------|------------------|-----------|
| Heavy Duty type 2 | 8025.005.11 | 750 | 70-150 | natural | 5 | 300 | aluminium |



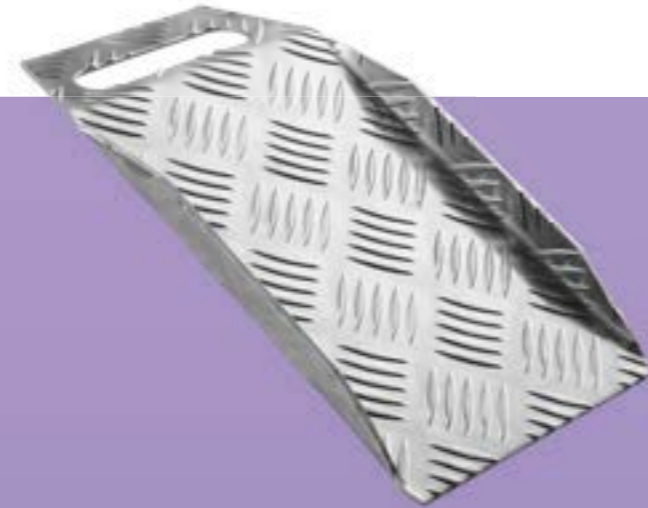
Heavy duty, type 2



Heavy duty, type 2

TIPS

- ▶ specially developed for heavy mobility scooters
- ▶ raised edges ensure safe passage

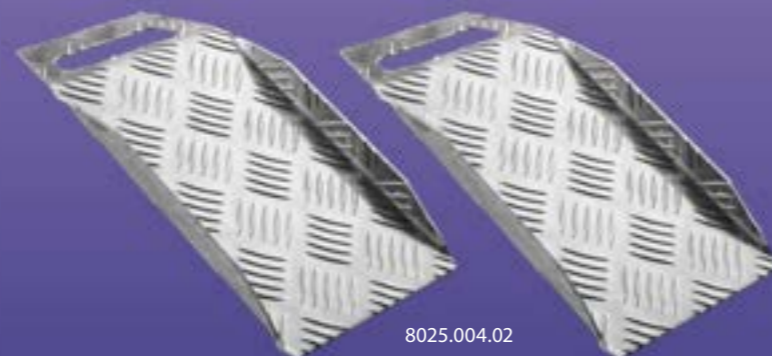
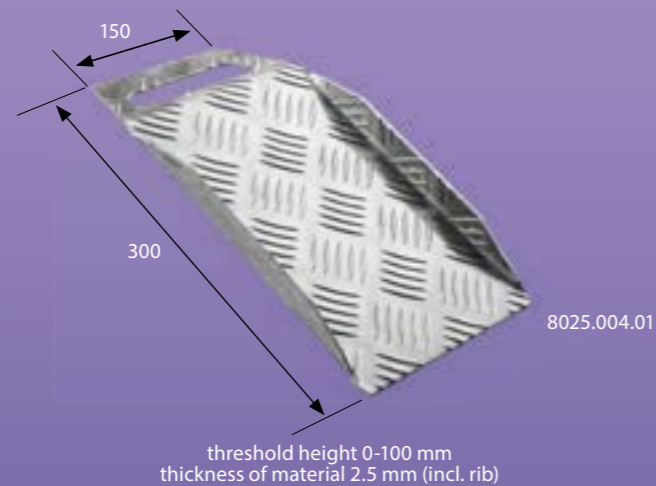


Product features

- lightweight with convenient carrying handle
- maximum load: 150 kg (per unit, 300 kg if 2 units are used)
- with rubber strip at the back: prevents slipping
- colour: natural aluminium

Applications

- as a portable threshold ramp for wheelchair and mobility scooter users.
- the single variant is ideal for electric bicycles, motorcycles, etc.



| description | article number | width (mm) | threshold height (mm) | colour | weight (kg) | materials |
|--|----------------|------------|-----------------------|---------|-------------|-----------|
| portable aluminium threshold ramp (1 item) | 8025.004.01 | 150 | 0-100 | natural | 0.4 | aluminium |
| portable aluminium threshold ramp (Set of 2) | 8025.004.02 | 150 | 0-100 | natural | 0.8 | aluminium |



Portable (1)



Portable (2)



Portable (1)



Portable (2)

TIPS

- ▶ raised edges ensure safe passage
- ▶ also for motorbikes, scooters, electric bicycles, wheelbarrows, etc.
- ▶ applications:
as a portable threshold ramp for wheelchair and mobility scooter users.
the single variant is ideal for electric bicycles, motorcycles, etc.

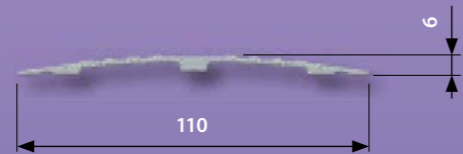


Product features

- applicable to interior doors
- use when threshold is removed
- neatly covers removed threshold
- can also be used as a ramp for lower thresholds
- made of anodised aluminium
- available in 2 colours: natural aluminium or bronze (C34)
- available in 2 widths
- quick and easy to shorten

Installation materials

- installation method depending on substrate: adhesives, sealants, double-sided tape or screws,
- not included



| description | article number | width (mm) | length* (mm) | colour |
|-------------------------------|----------------|------------|--------------|----------------------------|
| threshold replacer, aluminium | 8020.100.01 | 110 | 950 | natural anodised |
| threshold replacer, aluminium | 8020.100.02 | 110 | 950 | dark bronze anodised (C34) |
| threshold replacer, aluminium | 8020.100.11 | 140 | 950 | natural anodised |
| threshold replacer, aluminium | 8020.100.12 | 140 | 950 | dark bronze anodised (C34) |

* can be shortened



natural aluminium



bronze-coloured aluminium

TIPS

- ▶ fixing by: adhesives, sealants, double-sided tape or screws
- ▶ smooth section and hollow underside for easy screw insertion

Product features

- revolutionary product that invisibly makes any ceramic tile floor truly anti-slip for at least 5 years after application
- suitable for all types of ceramic tiles (not for natural stone tiles)
- easy to apply in three simple steps: clean & dry the floor, spray, wipe down with water, and you're done
- for indoor and outdoor use
- immediately walkable and effective
- does not corrode your tiles
- tiles can be cleaned as usual
- the invisible coating works for approx. 5 years, depending on use
- shower or toilet: 100 ml (1-2 m2)
- bathroom: 500 ml (6-8 m2)
- various rooms: 5000 ml (60-80 m2)

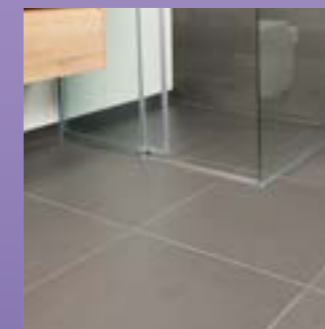


| description | use on | article number | contents (ml) | colour |
|----------------------|----------------|----------------|---------------|-------------|
| anti-slip tile spray | ceramic tiles* | 8040.500.01 | 100 | transparent |
| anti-slip tile spray | ceramic tiles* | 8040.500.05 | 500 | transparent |
| anti-slip tile spray | ceramic tiles* | 8040.500.11 | 5000 | transparent |

* ceramics means fired tiles (spray not suitable for plastic and natural stone)



before application



after application: no visible difference



items needed



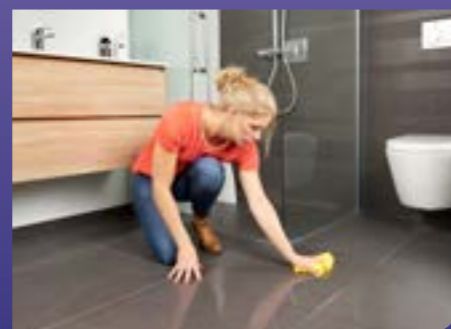
clean the floor



apply anti-slip spray



test roughness (after approx. 3 min.)



wipe down the floor with water



done, invisible and immediately walkable!



easy to apply and ready to use



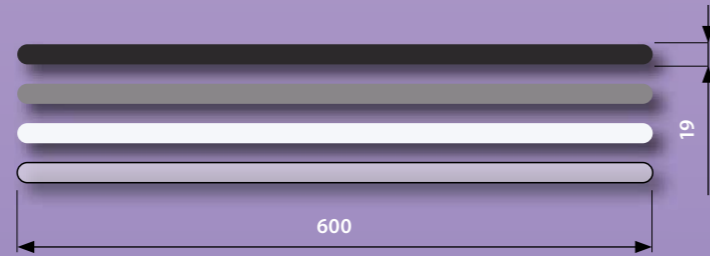
prevent slipping on a smooth tiled floor

TIPS

- ▶ not suitable for plastic, such as baths and shower trays, and natural stone
- ▶ view the application online: go.secu.nl/spray (without 'www' in the address bar; available in Dutch only)
- ▶ also ideal for preventing small children from slipping
- ▶ applications: toilet, bath, shower, outdoor terrace
- ▶ an exceptionally good product, which has already been successfully used many thousands of times

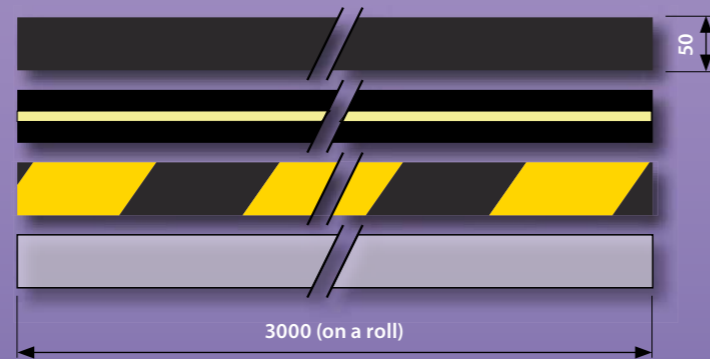
Product features

- prevents slipping on indoor and outdoor stairs
- various types available
- colours: semi-transparent, white, grey, black, black with Glow in the Dark, black/yellow
- elongated version: the right size for all stairs
- high quality: resistant to moisture, intensive use, indoors and outdoors
- can be applied in combination with underfloor heating
- effective, safe, sustainable and low-cost
- Heavy-duty version for extremely high grip indoors or outdoors (not suitable for bare feet)



Product features
Glow-in-the-dark version

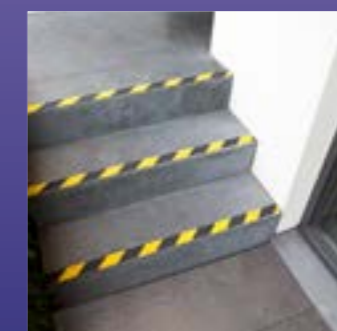
- unique combination of Anti-Slip tape and Glow-in-the-Dark strip
- charges with daylight or artificial light
- high light intensity
- glows all night long



| description | article number | use | dimensions (mm) | number | colour |
|------------------------------|----------------|--|-----------------|-------------|------------------------|
| anti-slip sticker, elongated | 8040.150.01 | indoors & outdoors | 19 x 600 | 15 stickers | semi-transparent |
| anti-slip sticker, elongated | 8040.150.02 | indoors & outdoors | 19 x 600 | 15 stickers | white |
| anti-slip sticker, elongated | 8040.150.03 | indoors & outdoors | 19 x 600 | 15 stickers | grey |
| anti-slip sticker, elongated | 8040.150.04 | indoors & outdoors | 19 x 600 | 15 stickers | black |
| anti-slip sticker on a roll | 8040.200.01 | Heavy duty, various applications, indoors & outdoors | 50 x 3000 | 1 roll | semi-transparent |
| anti-slip sticker on a roll | 8040.200.04 | Heavy duty, various applications, indoors & outdoors | 50 x 3000 | 1 roll | black |
| anti-slip sticker on a roll | 8040.200.07 | Heavy duty, various applications, indoors & outdoors | 50 x 3000 | 1 roll | black glow-in-the-dark |
| anti-slip sticker on a roll | 8040.200.06 | Heavy duty, various applications, indoors & outdoors | 50 x 3000 | 1 roll | black/yellow |



Black version



Heavy-duty tape for extra grip on outdoor stairs

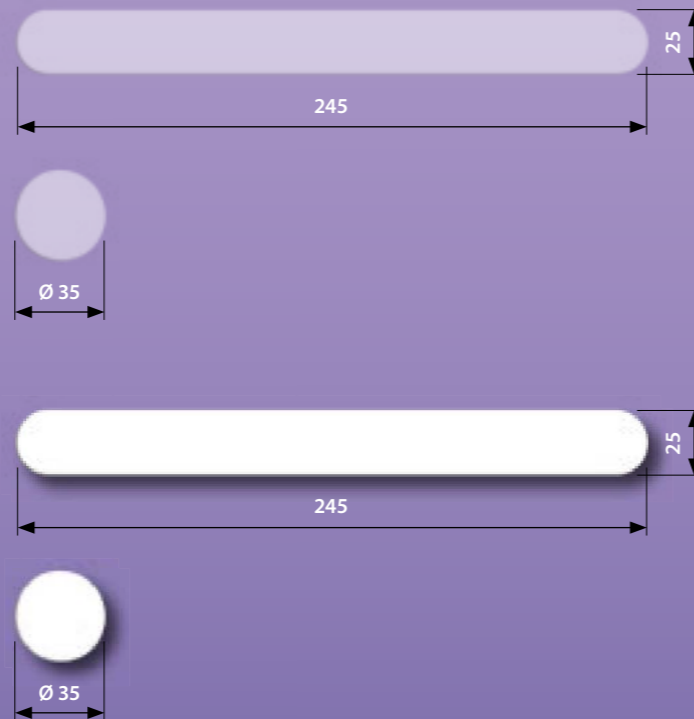
Glow-in-the-dark

TIPS

- ▶ for indoor or standard outdoor situations, use elongated anti-slip stickers (art. no: 8040.150.01/2/3/4)
- ▶ for extra grip and visibility, use heavy-duty anti-slip stickers
- ▶ the heavy-duty version is not suitable for bare feet
- ▶ clean with a neutral detergent and/or water and a soft nail brush

Product features

- prevents slipping in the bathroom, bath and shower
- various types available
- colours: semi-transparent, white
- supplied ready-to-use in small circles or elongated strips
- high quality: resistant to moisture, intensive use
- can be applied in combination with underfloor heating
- effective, safe, sustainable and low-cost



| description | article number | use | format (mm) | number | colour |
|------------------------------|----------------|------------------------------------|-------------|--------|------------------|
| anti-slip sticker, round | 8040.000.01 | indoors (bath / shower / bathroom) | Ø 35 | 32 | semi-transparent |
| anti-slip sticker, round | 8040.000.02 | indoors (bath / shower / bathroom) | Ø 35 | 32 | white |
| anti-slip sticker, elongated | 8040.100.01 | indoors (bath / shower / bathroom) | 25 x 245 | 12 | semi-transparent |
| anti-slip sticker, elongated | 8040.100.02 | indoors (bath / shower / bathroom) | 25 x 245 | 12 | white |



for use in the shower or bath



also ideal for the bathroom floor



TIPS

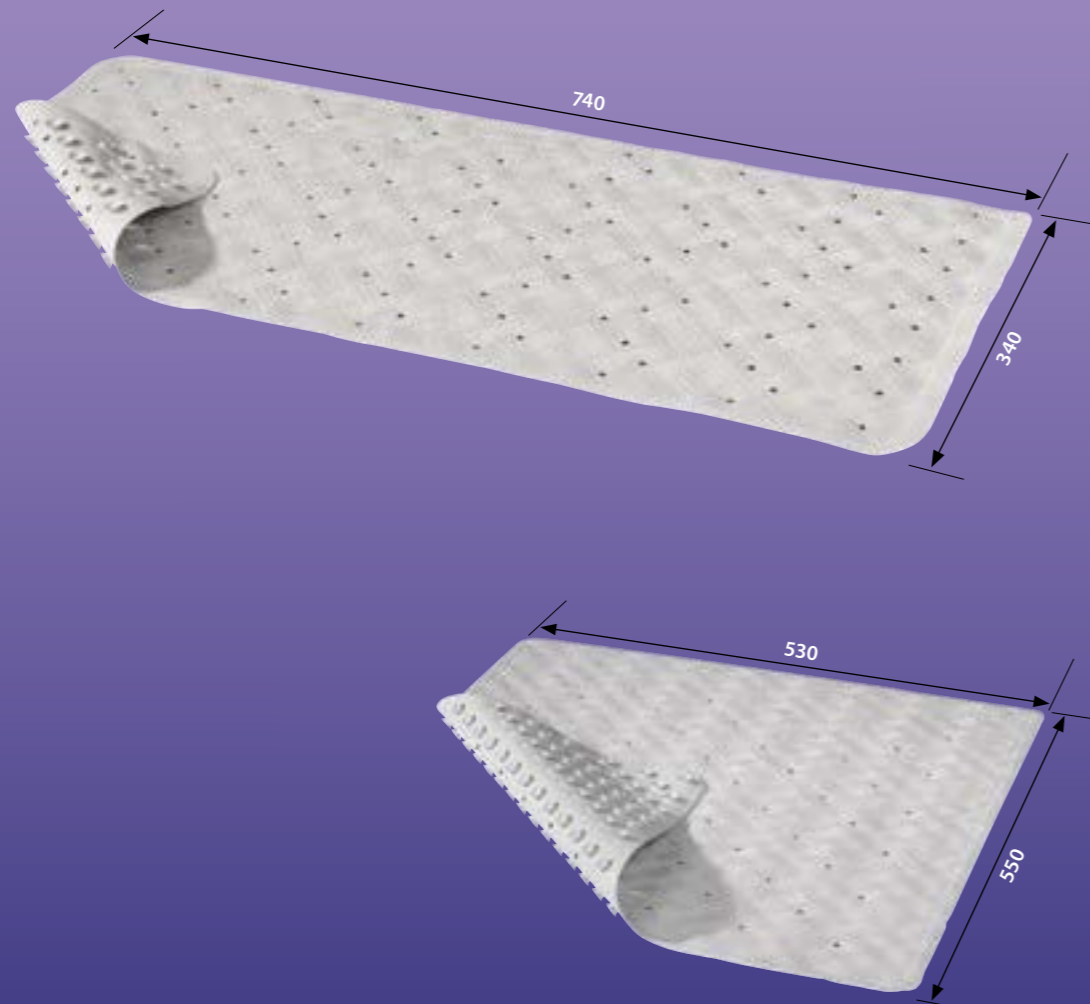
- ▶ the rounded shape of the stickers means that they are fixed to the surface better
- ▶ the stickers are designed for use in and around water – the adhesive strength remains good
- ▶ clean with a neutral detergent and/or water and a soft nail brush
- ▶ also ideal for preventing small children from slipping

Product features

- prevents slipping
- also suitable for bathroom floor
- shower mat: top has anti-slip ribs (bath mat: studs) for a better grip for your feet
- bottom side has sturdy suction cups
- environmentally neutral; made of 100% natural rubber
- low-cost solution



| description | article number | use | format (mm) | colour |
|-------------|----------------|------------------------------------|-------------|--------|
| bath mat | 8045.007.01 | indoors (bath / shower / bathroom) | 740 x 340 | white |
| shower mat | 8045.007.10 | indoors (bath / shower / bathroom) | 530 x 530 | white |



bath mat



bath mat

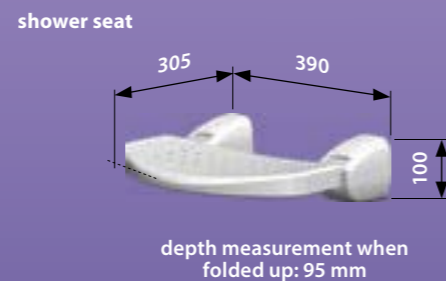
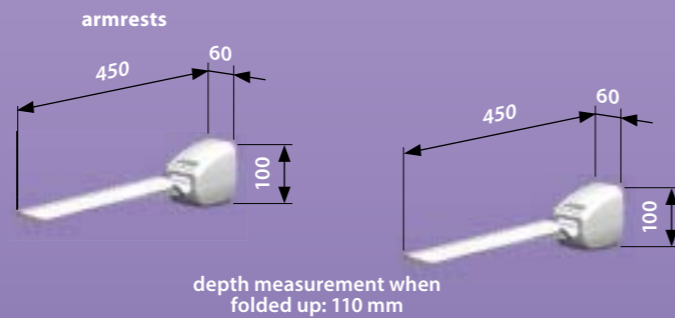
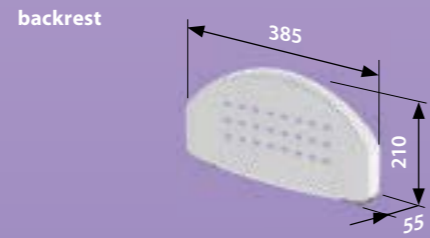
TIPS

- ▶ low-cost solution to make bathroom, bath and shower anti-slip
- ▶ stays firmly in place thanks to suction cups
- ▶ easy to clean with all-purpose cleaner and (abrasive) sponge, or at 40°C in the washing machine
- ▶ also ideal for preventing small children from slipping



Product features of shower seat

- for safely seated showering
- foldable
- compact and therefore ideal in small showers/ shower cabins
- comfortable synthetic seat (polypropylene, white)
- with drainage holes
- invisible assembly
- stainless steel hinges, with 2 mounting holes per hinge, Ø 8 mm
- synthetic covers (polypropylene, white)
- maximum load: 125 kg



Product features of backrest

- offers additional (back) comfort in combination with shower seat
- synthetic backrest (polypropylene, white)
- stainless steel mounting brackets, with two mounting holes Ø 6 mm

Product features of armrests

- folding armrests (2x)
- stainless steel hinges, with 2 mounting holes per hinge, Ø 8 mm
- synthetic covers (polypropylene, white)
- armrests with integrated anti-slip material
- maximum load: 90 kg

Installation materials

- not included, see tips

| description | article number | materials | colour |
|-------------------------|----------------|-----------------------|-------------|
| shower seat, foldable | 8045.005.01 | plastic and aluminium | white, grey |
| backrest | 8045.001.01 | plastic and aluminium | white, grey |
| armrests (2x), foldable | 8045.001.02 | plastic and aluminium | white, grey |



foldable

suitable for all sizes of shower



can be expanded with backrest and armrests



components are foldable

TIPS

- ▶ due to the many possible surfaces (hollow, solid, stone, stucco), no installation materials are supplied
- ▶ we recommend the following for:
 - hollow walls: Toggler anchors
 - solid walls: Fischer plugs (types depending on surface)
- ▶ type of screw depends on substrate
- ▶ maximum size screws: M8

Product features of shower chair

- for safely seated showering
- foldable
- available with or without legs
- model with legs is extendable in steps of 30 mm, from 400 to 550 mm
- comfortable synthetic seat (polypropylene, white)
- with drainage holes
- invisible assembly
- stainless steel hinges, with 2 mounting holes per hinge, Ø 8 mm
- synthetic covers (polypropylene, white)
- maximum load:
 - without legs: 125 kg
 - with legs: 150 kg

Product features of backrest

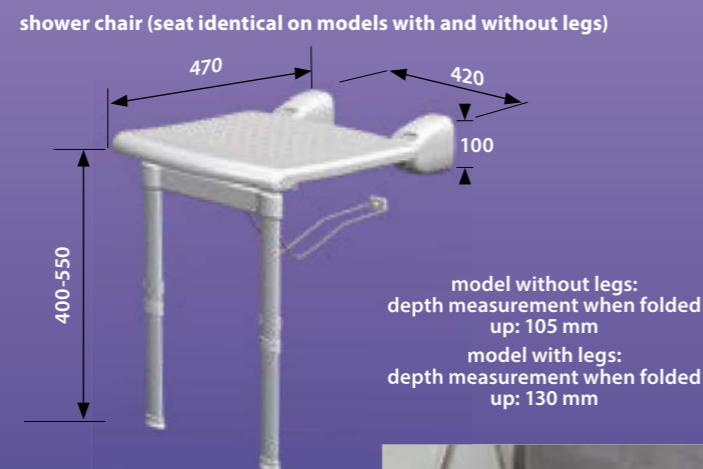
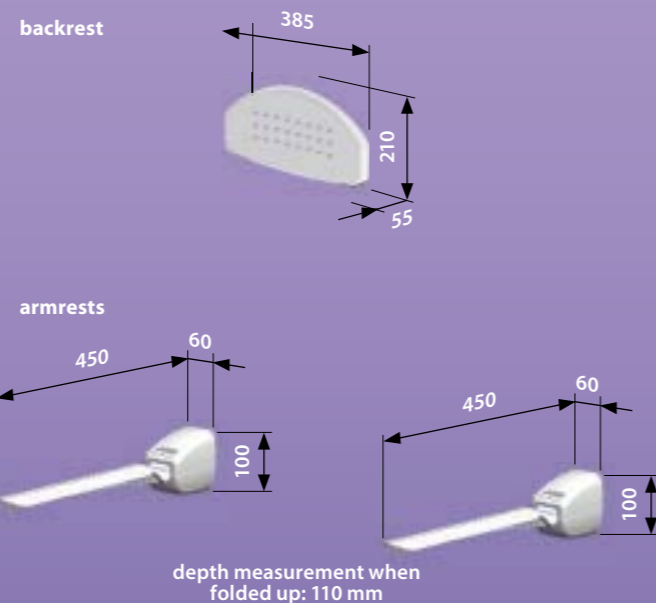
- offers additional (back) comfort in combination with shower seat
- synthetic backrest (polypropylene, white)
- stainless steel mounting brackets, with mounting holes Ø 8 mm

Product features of armrests

- folding armrests (2x)
- stainless steel hinges, with 2 mounting holes per hinge, Ø 8 mm
- synthetic covers (polypropylene, white)
- armrests with integrated anti-slip material
- maximum load: 90 kg

Installation materials

- not included, see tips



shower chair without feet

| description | article number | extendable from-to (mm) | materials | colour |
|---|----------------|-------------------------|-----------------------|-------------|
| shower chair, foldable | 8045.005.02 | | plastic and aluminium | white, grey |
| shower chair, foldable, incl. extendable legs | 8045.005.03 | 400-550 | plastic and aluminium | white, grey |
| backrest | 8045.001.01 | | plastic and aluminium | white, grey |
| armrests (2x), foldable | 8045.001.02 | | plastic and aluminium | white, grey |



shower chair with height-adjustable feet, shown in combination with separately available accessories



foldable, so very compact

TIPS

- ▶ due to the many possible surfaces (hollow, solid, stone, stucco), no installation materials are supplied
- ▶ we recommend the following for:
 - hollow walls: Toggler anchors
 - solid walls: Fischer plugs (types depending on surface)
- ▶ type of screw depends on substrate
- ▶ maximum size screws: M8

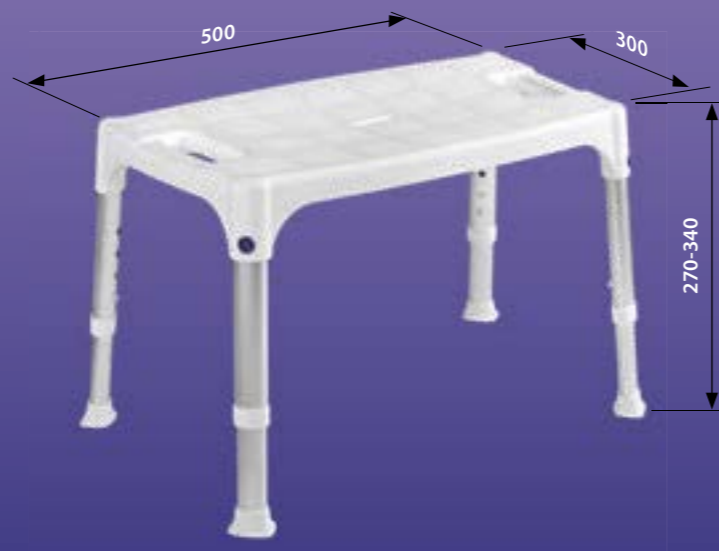


Product features

- for getting in and out of the bath safely and comfortably
- step made of plastic (polypropylene), with anti-slip coating
- with drainage hole
- anodised aluminium feet with anti-slip caps
- height adjustable in steps of approx. 25 mm (clicking system)
- maximum load: 120 kg
- maintenance-free, easy to clean
- developed for maximum hygiene and durability
- easy to assemble

Installation materials

- not applicable



| description | article number | weight (kg) | height (mm) | materials | colour |
|------------------------|----------------|-------------|-------------|-----------------------|-------------|
| bath step, square | 8045.100.20 | 1 | 270-340* | plastic and aluminium | white, grey |
| bath step, rectangular | 8045.100.21 | 1.5 | 270-340* | plastic and aluminium | white, grey |

* extendable in steps of 25 mm



elegant and safe



TIPS

- ▶ ideal not only for bath, but also if you can't reach something
- ▶ the square model is cheaper, but the rectangular model is more practical as you can stand on it with two feet in order to get in and out of the bath more safely
- ▶ also ideal as a step for small children, for example at the wash basin
- ▶ all parts are available separately



Product features

- bath seat made of robust plastic
- makes it possible to bathe safely while seated
- ideal for seated showering in the bath
- equipped with a drainage hole
- adjustable in width, this bath seat is suitable for a bath with an inside width of 500-600 mm
- maximum load: 120 kg.
- no assembly required, so can be used and removed quickly
- comfortable synthetic seat (polypropylene) with anti-slip coating
- anodised aluminium suspension brackets with anti-slip caps
- easy to clean
- easy to assemble

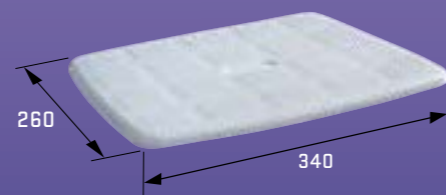


Installation materials

- no installation materials required

Product features cushion

- makes the bath seat more comfortable to sit on
- the cushion is pleasant to the touch
- no more "cold" shock when sitting down
- anti-slip, anti-fungal and anti-bacterial
- use of the Comfort Cushion is highly recommended for people with bedsores (decubitus)



| description | article number | weight (kg) | inside width of bath (mm) | materials | colour |
|-------------------------------|----------------|-------------|---------------------------|-----------------------|-------------|
| bath seat Quattro, adjustable | 8045.100.26 | 1.8 | 500-600* | plastic and aluminium | white, grey |
| comfort cushion bath seat | 8045.100.24 | | | | light blue |

* extendable from-to



fits in almost any bath



TIPS

- ▶ no assembly required
- ▶ portable (e.g. on holiday)
- ▶ fits in almost all baths (see table)
- ▶ great to use together with SecuCare angled grab bars

Product features of shower stool

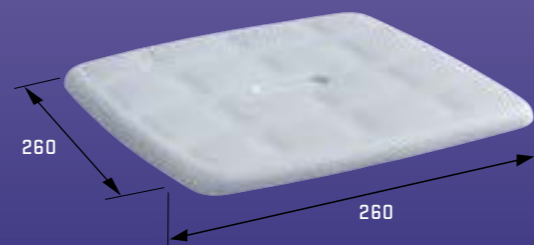
- stable and safe seating while showering
- ideal for (small) showers where wall mounting is not possible or not allowed (rental properties)
- can also be used in the bathroom (e.g. for drying off while seated)
- comfortable synthetic seat (polypropylene) with anti-slip coating
- with drainage hole
- anodised aluminium feet with anti-slip caps
- height adjustable in steps of approx. 25 mm (click adjustment)
- can carry a load of up to 120 kg
- easy to assemble

Installation materials

- not applicable

Product features cushion

- makes the shower stool more comfortable to sit on
- the cushion is pleasant to the touch
- no more "cold" shock when sitting down
- anti-slip, anti-fungal and anti-bacterial
- incl. mounting clip
- use of the Comfort Cushion is highly recommended for people with bedsores (decubitus)



| description | article number | extendable from-to (mm) | weight (kg) | materials | colour |
|----------------------------------|----------------|-------------------------|-------------|-----------------------|------------|
| shower stool Quattro | 8045.100.01 | 390-540 | 1.4 | plastic and aluminium | white |
| cushion for shower stool Quattro | 8045.100.00 | | | | light blue |



art.nr.: 8045.100.01 shower stool Quattro



art. nr.: 8045.100.01 + 8045.100.00



art. nr.: 8045.100.01

TIPS

- ▶ ideal if permanent installation is not possible or not allowed (rental properties)
- ▶ easy to assemble
- ▶ all parts are available separately

Product features of shower chair

- stable and safe seating while showering
- ideal for (small) showers where wall mounting is not possible or not allowed (rental properties)
- can also be used in the bathroom (e.g. for drying off while seated)
- comfortable synthetic seat (polypropylene) with anti-slip coating
- with drainage hole
- anodised aluminium feet with anti-slip caps
- height adjustable in steps of approx. 25 mm (click adjustment)
- can carry a load of up to 120 kg
- easy to assemble
- wider seat for more comfort
- fitted with practical handles
- version without backrest
- armrests (separate accessories art. no. 8045.100.15 and 8045.100.16) are clicked into the shower chair



Installation materials

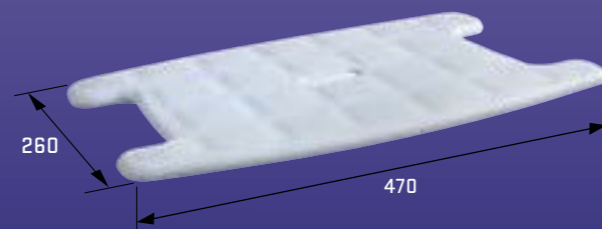
- not applicable

Product features cushion

- makes the shower chair more comfortable to sit on
- the cushion is pleasant to the touch
- no more "cold" shock when sitting down
- anti-slip, anti-fungal and anti-bacterial
- incl. mounting clip
- use of the Comfort Cushion is highly recommended for people with bedsores (decubitus)



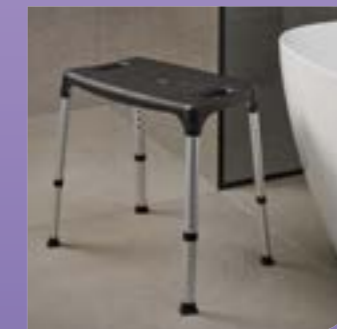
shower chair armrests
8045.100.15 (white),
8045.100.16 (black)



| description | article number | extendable from-to (mm) | weight (kg) | materials | colour |
|---------------------------------------|----------------|-------------------------|-------------|-----------------------|------------|
| shower chair Quattro | 8045.100.10 | 390-540 | 1.8 | plastic and aluminium | white |
| armrests (2) for shower chair Quattro | 8045.100.15 | - | 0.8 | plastic | white |
| shower chair Quattro | 8045.100.11 | 390-540 | 1.8 | plastic and aluminium | black |
| armrests (2) for shower chair Quattro | 8045.100.16 | - | 0.8 | plastic | black |
| cushion for shower stool | 8045.100.09 | | | | light blue |



art.nr.: 8045.100.10 shower stool Quattro



art. nr.: 8045.100.11



art. nr.: 8045.100.10 +
8045.100.09



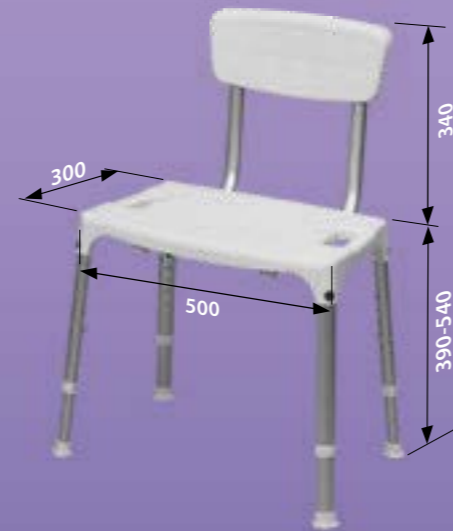
art. nr.: 8045.100.10 +
8045.100.15

TIPS

- ▶ ideal if permanent installation is not possible or not allowed (rental properties)
- ▶ easy to assemble
- ▶ all parts are available separately

Product features of shower chair with backrest

- stable and safe seating while showering
- ideal for (small) showers where wall mounting is not possible or not allowed (rental properties)
- can also be used in the bathroom (e.g. for drying off while seated)
- comfortable synthetic seat (polypropylene) with anti-slip coating
- with drainage hole
- anodised aluminium feet with anti-slip caps
- height adjustable in steps of approx. 25 mm (click adjustment)
- can carry a load of up to 120 kg
- easy to assemble
- wider seat for more comfort
- fitted with practical handles
- version with backrest
- armrests (separate accessories art. no. 8045.100.15 and 8045.100.16) are clicked into the shower chair

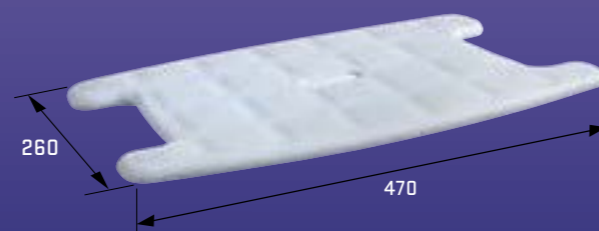


Installation materials

- not applicable

Product features cushion

- makes the shower chair more comfortable to sit on
- the cushion is pleasant to the touch
- no more “cold” shock when sitting down
- anti-slip, anti-fungal and anti-bacterial
- incl. mounting clip
- use of the Comfort Cushion is highly recommended for people with bedsores (decubitus)



| description | article number | extendable from-to (mm) | weight (kg) | materials | colour |
|---------------------------------------|----------------|-------------------------|-------------|-----------------------|------------|
| shower chair Quattro with backrest | 8045.100.12 | 390-540 | 2.4 | plastic and aluminium | white |
| armrests (2) for shower chair Quattro | 8045.100.15 | - | 0.8 | plastic | white |
| shower chair Quattro with backrest | 8045.100.13 | 390-540 | 2.4 | plastic and aluminium | black |
| armrests (2) for shower chair Quattro | 8045.100.16 | - | 0.8 | plastic | black |
| cushion for shower chair Quattro | 8045.100.09 | | | | light blue |



art.nr.: 8045.100.12 Quattro shower chair with backrest



art. nr.: 8045.100.13



art.nr.: 8045.100.12 + 8045.100.09



art. nr.: 8045.100.12 + 8045.100.15

TIPS

- ▶ ideal if permanent installation is not possible or not allowed (rental properties)
- ▶ easy to assemble
- ▶ additional comfort due to backrest and armrests (available separately)
- ▶ all parts are available separately



Product features

- stable and safe seating while showering
- with hygiene cut-out (select front or rear position during assembly)
- ideal for showers (incl. small ones) where wall mounting is not possible or not allowed (e.g. in rented properties)
- can also be used in the bathroom (e.g. for drying off while seated)
- comfortable synthetic seat (polypropylene, white)
- with anti-slip coating
- with drainage hole
- anodised aluminium feet with anti-slip caps
- height adjustable in steps of approx. 25 mm (clicking system)
- can carry a load of up to 120 kg
- easy to assemble

Installation materials

- not applicable

Product features cushion

- makes the shower chair with hygiene cut-out more comfortable to sit on
- the cushion is pleasant to the touch
- no more “cold” shock when sitting down
- anti-slip, anti-fungal and anti-bacterial
- use of the Comfort Cushion is highly recommended for people with bedsores (decubitus)



shower chair Quattro with hygiene cut-out, backrest and armrests 8045.100.07



| description | article number | extendable from-to (mm) | weight (kg) | materials | colour |
|--|----------------|-------------------------|-------------|-----------------------|-------------|
| shower chair Quattro with hygiene cut-out, backrest and armrests (2) | 8045.100.07 | 390-540 | 3.2 | plastic and aluminium | white, grey |
| cushion for shower chair Quattro with hygiene cut-out | 8045.100.03 | | | PEVA | light blue |



art. no.: 8045.100.07 Quattro shower chair with backrest



cut-out at front



cut-out at rear

TIPS

- ▶ ideal if permanent installation is not possible or not allowed (rental properties)
- ▶ easy to assemble
- ▶ The hygiene cut-out can be placed at the front or rear (choice during assembly)

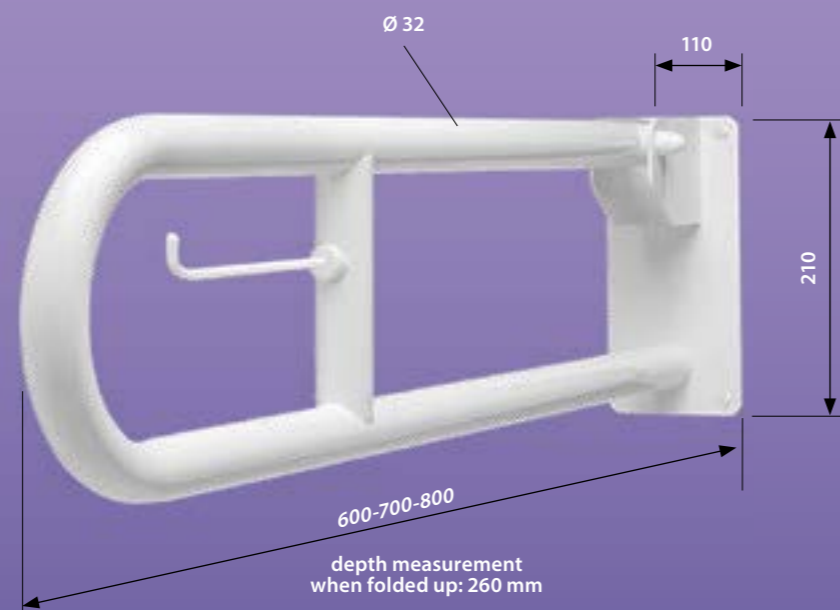


Product features

- provides support when sitting on and getting up from the toilet
- also provides support for wheelchair users when moving from wheelchair to toilet
- white epoxy coated steel, RAL9010
- resistant to moist environments
- foldable
- various lengths available (choose length according to available space in shower or toilet)
- with 4 mounting holes Ø 8 mm
- maximum load: 125 kg

Installation materials

- not included, see tips



| description | article number | length (mm) | materials | colour |
|--|----------------|-------------|--------------------|--------|
| lift-up toilet support | 8045.000.06 | 600 | epoxy coated steel | white |
| lift-up toilet support | 8045.000.07 | 700 | epoxy coated steel | white |
| lift-up toilet support | 8045.000.08 | 800 | epoxy coated steel | white |
| toilet roll holder for toilet support* | 8045.000.01 | | epoxy coated steel | white |

* bar on photos is equipped with toilet roll holder, which is not included in standard set



sit down and stand up safely



bar put down



bar lifted up



toilet roll holder (separate accessory)

TIPS

- ▶ due to the many possible surfaces (hollow, solid, stone, stucco), no installation materials are supplied
- ▶ we recommend the following for:
 - hollow walls: Toggler anchors
 - solid walls: Fischer plugs (types depending on surface)
- ▶ type of screw depends on substrate
- ▶ maximum size screws: M8
- ▶ installation height: approx. 200 to 350 mm from the top of the toilet to the top of the toilet support



Product features

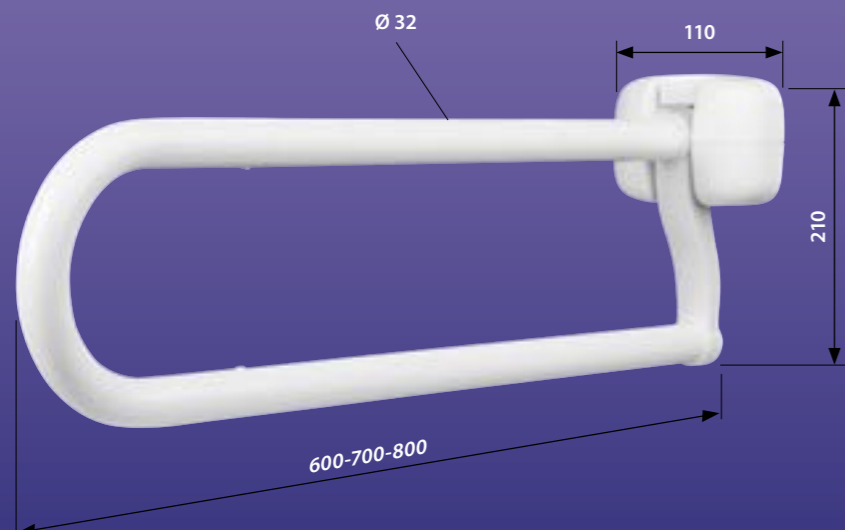
- modern design
- provides support when sitting on and getting up from the toilet
- clamp function in vertical position
- covered hinges, easy to clean
- resistant to moist environments
- foldable
- various lengths available (choose length according to available space in shower or toilet)
- stainless steel (304) mounting plate
- maximum load: 125 kg

Installation materials

- not included, see tips



clamp function in vertical position



depth measurement when folded up: 210 mm

| description | article number | length (mm) | materials | colour |
|--|----------------|-------------|--------------------|-------------|
| lift-up toilet support premium | 8045.000.06 | 600 | epoxy coated steel | white |
| | 8045.020.07 | 700 | epoxy coated steel | white |
| | 8045.020.08 | 800 | epoxy coated steel | white |
| | 8045.020.04 | 700 | epoxy coated steel | RVS |
| | 8045.020.13 | 700 | epoxy coated steel | black |
| | 8045.020.10 | 700 | epoxy coated steel | RVS brushed |
| toilet roll holder for toilet support premium* | 8045.020.01 | | | white |
| | 8045.020.02 | | | RVS |
| | 8045.020.021 | | | RVS brushed |
| | 8045.020.00 | | | black |

* not included in standard set



sit down and stand up safely



bar put down



bar lifted up



toilet roll holder (separate accessory)

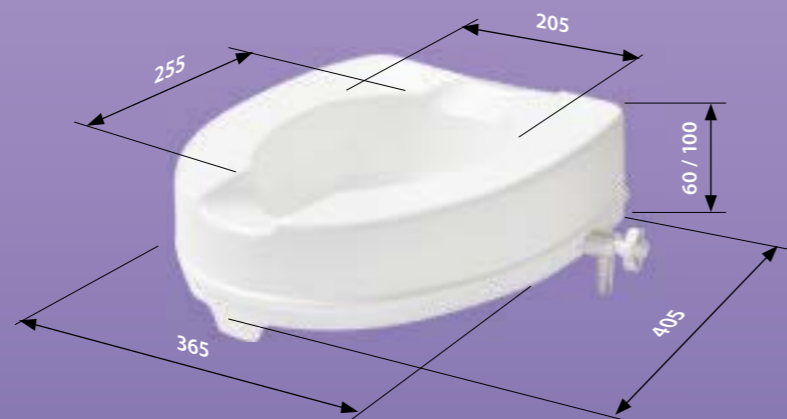
TIPS

- ▶ due to the many possible surfaces (hollow, solid, stone, stucco), no installation materials are supplied
- ▶ we recommend the following for:
 - hollow walls: Toggler anchors
 - solid walls: Fischer plugs (types depending on surface)
- ▶ type of screw depends on substrate
- ▶ maximum size screws: 8mm
- ▶ installation height: approx. 200 to 350 mm from the top of the toilet to the top of the toilet support



Product features

- makes it easier to sit down on the toilet and getting up
- fits almost all toilets
- simple fixing with clamping screws supplied
- easy to take with you (for example, on holiday)
- has two cut-outs to facilitate personal hygiene
- available in models with or without a lid (lid can be easily removed if required)
- available in 2 heights 60mm & 100mm (see table; if in doubt, choose 100 mm (most common))
- maximum load: 225 kg
- materials: plastic, easy to clean



Installation materials

- included

Product features

- makes the toilet seat raiser more comfortable to sit on
- the cushion is pleasant to the touch
- no more "cold" shock when sitting down
- anti-slip, anti-fungal and anti-bacterial
- use of the comfort cushion is highly recommended for people with bedsores (decubitus)



cushion for toilet seat raiser

| description | article number | height (mm) | materials | colour |
|---|----------------|-------------|-----------|------------|
| toilet seat raiser, without lid | 8045.000.15 | 60 | plastic | white |
| toilet seat raiser, without lid | 8045.000.16 | 100 | plastic | white |
| toilet seat raiser, with lid | 8045.000.20 | 60 | plastic | white |
| toilet seat raiser, with lid | 8045.000.21 | 100 | plastic | white |
| set of 2 replacement clamps* | 8045.000.10 | N/A | plastic | white |
| comfort cushion for toilet seat raiser | 8045.000.11 | 40 mm | | light blue |
| extended hinges for toilet seat raiser with lid, for use with comfort cushion | 8045.000.109 | | | white |

* clamps are supplied with every toilet seat raiser; these sometimes have to be replaced



toilet seat raiser 100 mm, with lid



toilet seat raiser 60 mm , with lid



toilet seat raiser 100 mm , without lid



can be fixed securely and is easily removable

TIPS

- ▶ fits virtually any toilet
- ▶ easy to attach and remove
- ▶ on the model with a lid, the lid is easy to remove

Product features

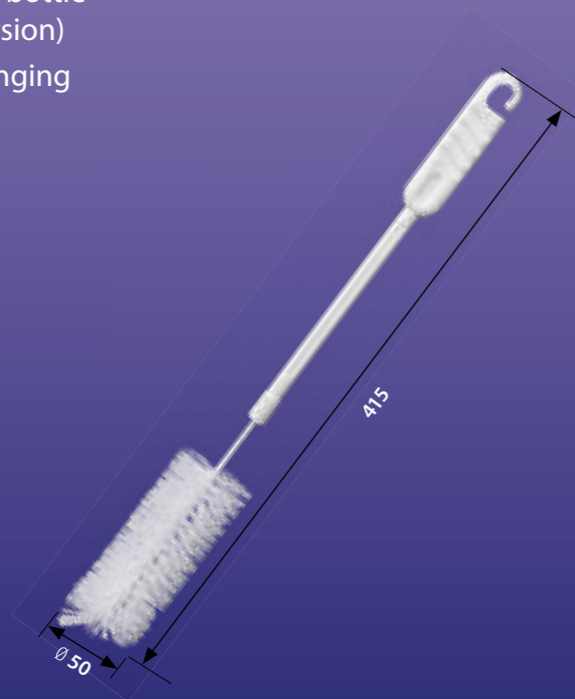
Men's Urinal /Women's Urinal

- transparent 1 Litre
- sealable with cap
- easy to clean
- highly recyclable plastic
- temperature resistant up to 85° c
- handy measurement indication
- available in women's and men's versions



Urinal holder

- suitable for 1 litre urinal bottle (women's and men's version)
- convenient hook for hanging on the bed /bed rail
- plastic-coated
- easy to clean



| description | article number | materials | colour |
|----------------|----------------|----------------------|-------------|
| Men's Urinal | 8060.010.01 | polypropylene | transparent |
| Women's Urinal | 8060.010.10 | polypropylene | transparent |
| Urinal holder | 8060.001.10 | plastic-coated steel | white |
| Urinal Brush | 8060.001.01 | plastic and steel | white |



8060.010.01 + 8060.001.10



8060.010.01 + 8060.001.10



8060.010.10 + 8060.001.10

TIPS

- ▶ easy to empty and clean
- ▶ resistant to acids and high temperatures (up to 85 degrees C)



Product features

- sit, lie down and get up safely and comfortably
- can also be used to raise the bed during pregnancy
- available in 2 sets for the following heights:
set 1 - 8045.500.15: height 130 mm, 4 items
set 2 - 8045.500.20: 3 heights: 80/130/210 mm, 4x 80 mm and 4x 130 mm, stacked height 210mm
- suitable for chairs or beds with legs of up to 70 mm wide
- made of 100% recycled plastic
- maximum load: 135 kg per raiser
- robust, suitable for all surfaces
- 5 year warranty

| description | article number | height (mm) | materials | colour |
|-----------------------------|----------------|-----------------|-----------|--------|
| bed and chair raiser, set 1 | 8045.500.15 | 130 | plastic | black |
| bed and chair raiser, set 2 | 8045.500.20 | 80 / 130 / 210* | plastic | black |

* these 3 heights can be reached with the delivered raisers



set 1, 130 mm high



set 2, leg 1: 80 mm



set 2, leg 2: 130 mm



set 2, stacked: 210 mm



The raiser from set 1 shown in the image has a height of 130 mm. Set 2 has 3 height variations: 80, 130 and 210 mm.



comfortably sitting down and standing up



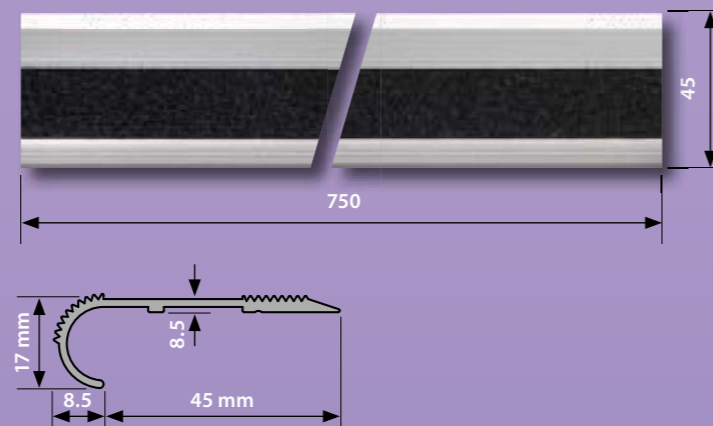
height 210 mm from set 2

TIPS

- ▶ ideal for raising chairs, beds or other furniture
- ▶ sit, lie down and get up safely and comfortably
- ▶ can also be used to raise the bed in case of pregnancy

Product features stair tread anti-slip profile

- prevents slipping and falling
- offers security day and night
- anodised aluminium profile with integrated anti-slip ribs and anti-slip top layer
- profile length: 750 mm, easily shortened
- fixing to steps by: adhesives, sealants or screws
- suitable for indoor and outdoor use
- tested according to DIN 6751



Product features Glow-in-the-Dark lock/switch marking

- sticker sheet with 3 stickers for light switches and cylinder locks
- charges with daylight or artificial light
- charge for 5-10 minutes: glows in the dark for 8-12 hours
- increases comfort and is ideal for poor vision
- offers visibility and security day and night

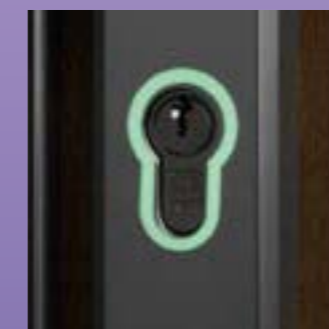


| description | article number | use | format (mm) | number | colour |
|---|----------------|------------------------------------|-------------|--------|------------------|
| anti-slip stair tread profile | 8055.010.10 | stairs: indoor and outdoor | 750* x 45 | 1 | natural anodised |
| Europrofile cylinder and switch glow-in-the-dark marking, self-adhesive | 8055.001.01 | Europrofile cylinder, light switch | | 3 sets | glow in the dark |
| Glow-in-the-dark strip, self-adhesive | 8055.015.01 | grab bar | | 1 | glow in the dark |

*can be shortened



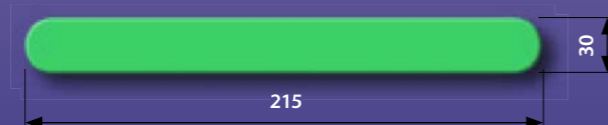
visible switch



visible cylinder lock

Product features Glow-in-the-Dark Strip

- Glow-in-the-dark strip for night-time visibility
- aluminium strip with high-quality Glow-in-the-Dark coating
- charges with daylight or artificial light
- high light intensity
- self-adhesive (suitable for bathroom use)



safety through visibility in the dark



design with integrated anti-slip profile



design with integrated anti-slip profile

TIPS

- ▶ absolute top quality of luminosity; provides unprecedented amount of light
- ▶ not toxic or radioactive
- ▶ luminous effect of charging and glowing always remains high quality
- ▶ protects against wear and tear of stairs

Product features

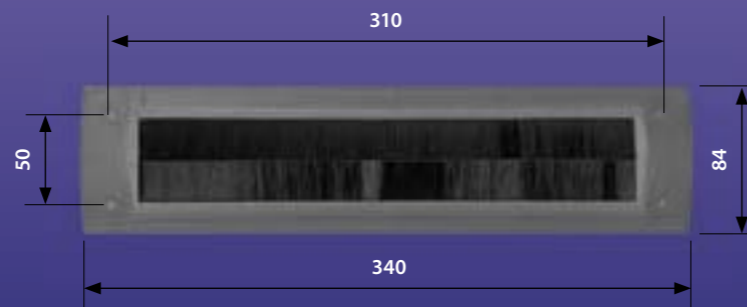
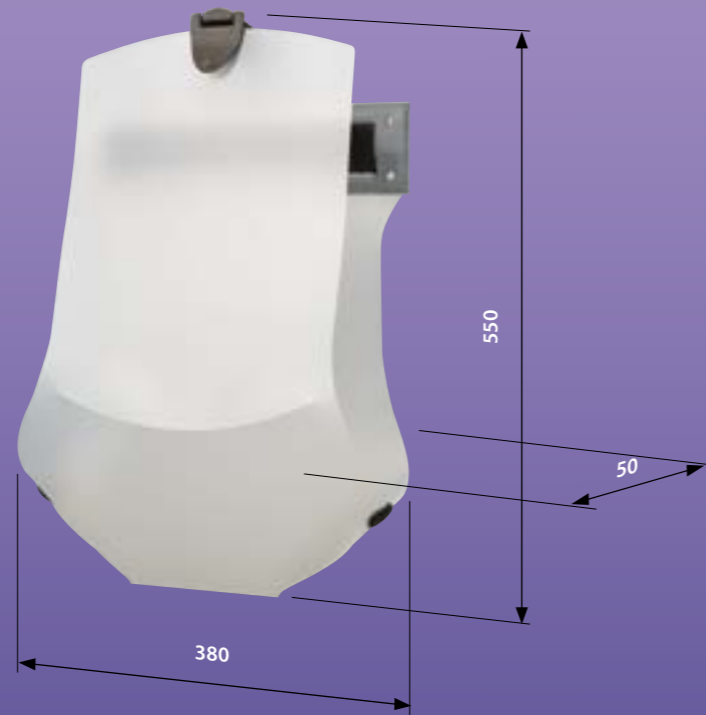
- no more bending over to pick up the post
- ideal for the elderly, people with mobility problems, people in wheelchairs
- equipped with 'holiday mode': prevents overload during holidays
- synthetic letter plate with draught brush included
- made of silver-grey plastic
- fits all horizontal letterboxes
- keeps your post away from pets

Installation materials

- 6 chipboard screws 3x30 mm flat head



| description | article number | materials | colour |
|---------------------------------|----------------|-----------|-------------|
| post catcher with draught brush | 8030.000.01 | plastic | silver-grey |



no more post on the ground



holiday mode prevents overloading of post catcher

TIPS

- ▶ prevents pets from damaging the post
- ▶ equipped with 'holiday mode': prevents overload during holidays



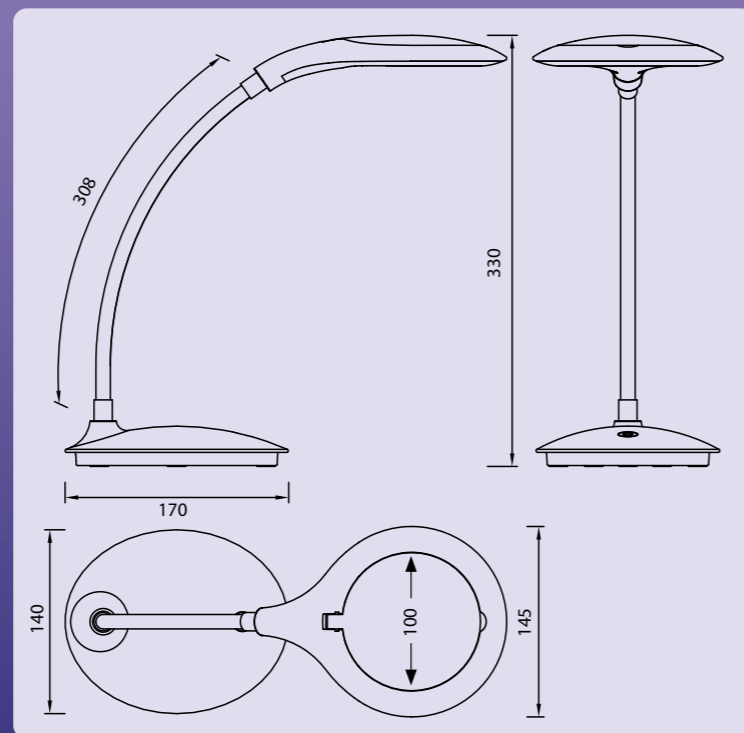
Product features

- flexible arm
- Ideal for reduced vision or precise hobbies such as modelling and embroidery
- Optimal working distance between object and lens ± 200 mm
- Magnifying Lamp with a 100mm lens and a magnification 2.25x (5 dioptries)

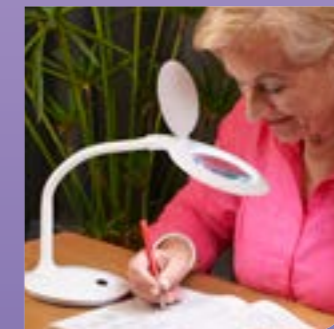
Specifications

- 600 Lumen
- 6500 Kelvin
- energyclass E
- IP classe IP20
- 100-240V
- 7 Watt
- lens 5D
- 1.8-metre cord

| description | article number | materials | colour |
|---------------------|----------------|---------------|--------|
| LED Magnifying lamp | 8055.055.03 | plastic/glass | white |



flexibele arm



TIPS

- ▶ thanks to the flexible arm, you can adjust the magnifying lamp exactly as desired
- ▶ the lamp can also be used as a desk lamp
- ▶ no need for batteries, it runs on 220V

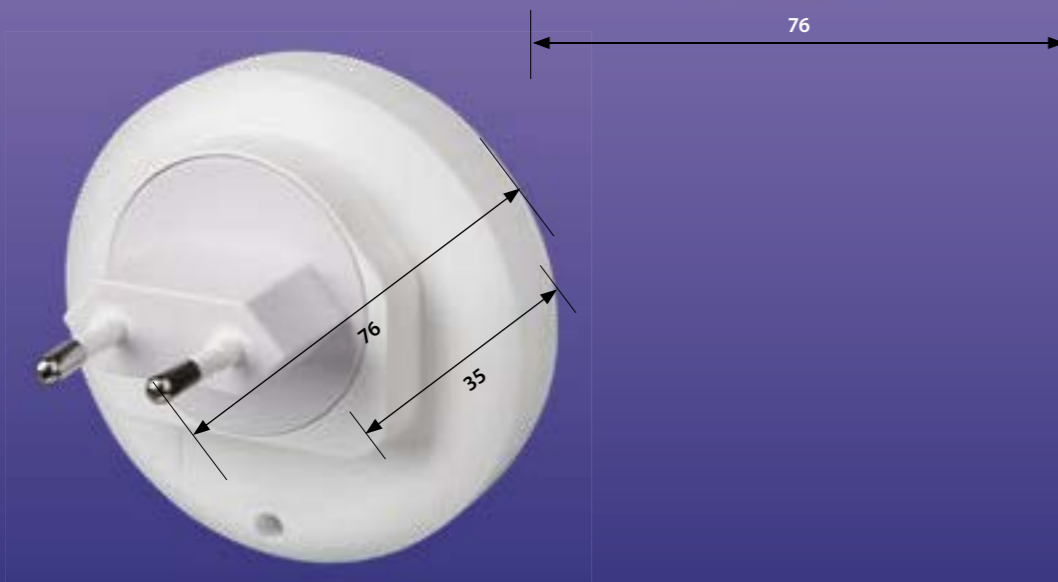
Product features

- night light equipped with a Euro plug
- orientation lighting in the bedroom, bathroom, hallway, cupboard or living room
- 3 positions: ON / OFF / AUTO
- the night light has a motion sensor it lights up when movement is detected in the dark
- lights up for 20 seconds when motion is detected in the dark
- equipped with wide-range sensor (approx. 5-6 m)
- detection angle = 110 degrees
- no need for batteries, it runs on 220V

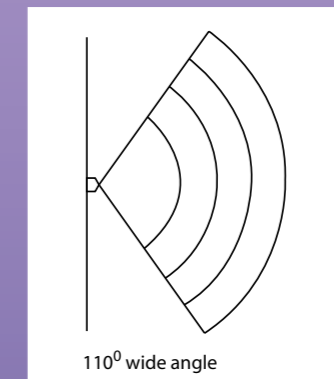
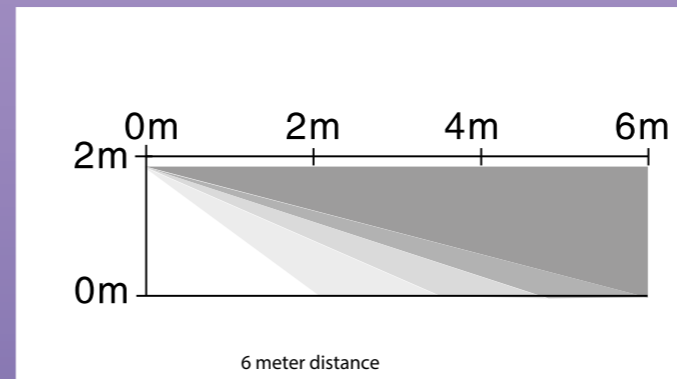


Specifications

- 100 Lux
- 5000 - 5500Kelvin
- energyclass A
- IP classe IP55
- 100-240V
- 0,4 Watt



| description | article number | materials | colour |
|-------------------------|----------------|-----------|--------|
| Night light with sensor | 8055.055.01 | ABS | white |



TIPS

- ▶ use as orientation lighting in the bedroom, bathroom, hallway, cupboard or living room
- ▶ simple installation, plug it in and you're done



Product features

- LED strip with sensor to illuminate the side of the bed or closet (2x)
- with 2 motion sensors
- Lights up from 30 sec up to 10 min. when movement is detected
- COB-led technology
- the strips can be shortened every 10cm

Specifications

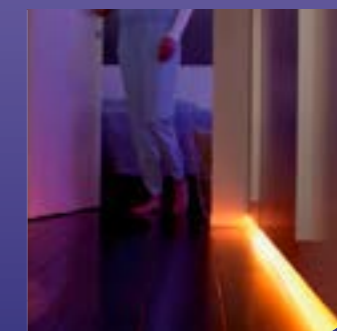
- 1000 Lumen per LED strip
- 6500K (daylight)
- voeding AC 100-240V / 0,7A output 12V max 2.0A
- verbruik standby <5mA
- verbruik bij inschakeling <600mA
- COB LED strip 12 volt - 320 led/m
- range of sensor approx. 3-5 m (angle 100 degrees)
- lightangle 180 degrees
- IP classe IP65



| description | article number | materials | colour |
|-------------------------------|----------------|--------------|--------|
| LED Bedside light with sensor | 8055.055.01 | ABS/Silicone | white |



With COB LED, the LEDs are positioned close together. This makes it possible to create a soft, even light without the individual LEDs visible.



TIPS

- ▶ two LED strips, therefore suitable for both sides of your bed
- ▶ ideal at night, when it is dark and you want to go to the toilet safely
- ▶ you can also use this LED lighting in other places in the house, for example in the hallway, cupboard or kitchen

SecuCare: also safe living for juniors

Secu also thinks of juniors when it comes to home security. Every year, thousands of children are injured in their house. Causes range from getting trapped to electrocution or from poisoning to falling or burning themselves.

Between 2006 and 2012, accidents with children between the ages of 0 and 4 caused approximately 72,000 injuries per year in the home. The medical costs for this amounted to € 36 million.*

Many of these accidents can easily be prevented with SecuCare products that have been specially developed for this purpose.

SecuCare's Junior safety products distinguish themselves by the quality and attractive, full-colour packaging that are part of the SecuCare family. Of course, a warranty also applies and, where necessary, the products have been approved.

In addition to applications in homes, the products can also be used for kindergartens, after-school care, playgroup and host parent care. Many requirements have been laid down in the Wet Kinderopvang (Dutch Childcare Act) and this is further highlighted within the framework of the Nieuwe Toezicht (New Child Supervision).

* source: Consument en Veiligheid (Consumer and Safety)

All sizes are in millimetres, unless otherwise indicated



TV security belt

- prevents the TV from tipping over
- easy to assemble



Corner protectors for tables, worktops, etc.

- protect your child from sharp corners
- softens collisions against sharp corners of tables, sideboards, shelves and countertops
- easy to install without tools



Doorstop

- prevents entrapment of fingers when closing the door
- prevents children from accidentally locking themselves up
- suitable for every interior door
- stays firmly in place
- also ideal for travelling
- made of soft synthetic foam



Applications

- door
- table
- countertop

Installation materials

- not applicable

| description | article number | number* | materials | application |
|--------------------------|----------------|---------|-----------------|---------------------------------|
| junior TV security belt | 8050.001.14 | 2 | nylon and steel | flat screen TV |
| junior corner protectors | 8050.001.16 | 4 | plastic | table, countertop, low cabinets |
| junior doorstop | 8050.001.19 | 2 | plastic | doors |

* number in package



the TV security belt prevents the flat screen TV from tipping over



the corner protectors cover sharp corners



the door stopper prevents entrapment of fingers

Safety hooks for cabinets and drawers

- out of sight
- prevents children from opening cabinets or drawers, or pinching their fingers
- easy to assemble, easy to use
- installation materials for wood included

Universal lock for cabinets, drawers, refrigerator, etc.

- secures everything that can be opened
- suitable for: cabinets, drawers, refrigerator, toilet seat, etc.
- can be fixed around a corner or in a 'straight line'
- adhesive fixing (no screws required)
- ideal for temporary and permanent use

Cabinet door bolt for wooden and display cabinets

- prevents children from opening cabinets or drawers, or pinching their fingers
- adhesive fixing (no screws required)
- when opening: unlock by getting the hook up

Magnetic lock for cabinets and drawers

- invisible protection
- prevents children from opening cabinets or drawers, or pinching their fingers
- opening: hold included magnet 'key' against lock
- closing: close the cabinet and it falls into the lock automatically
- complete with installation materials and step-by-step instructions

Slide lock for cabinets

- prevents children from opening cabinets or drawers, or pinching their fingers
- super-fast assembly without drilling
- easy to remove if the cabinet has to be opened again

Applications

- cabinet
- drawer
- door

Installation materials

- if applicable, these are included in the delivery



| description | article number | number* | materials | application |
|--------------------------|----------------|---------|-----------|-----------------------------|
| junior safety hooks | 8050.001.01 | 12 | plastic | cabinets, drawers and doors |
| junior universal lock | 8050.001.13 | 3 | plastic | cabinets, drawers and doors |
| junior cabinet door bolt | 8050.001.15 | 1 | plastic | cabinets and drawers |
| junior magnetic lock | 8050.001.17 | 4 | plastic | cabinets and drawers |
| additional magnetic key | 8050.001.21 | 1 | plastic | cabinets and drawers |
| junior slide lock | 8050.001.18 | 3 | plastic | cabinets and drawers |

* number in package



magnetic lock



cabinet door bolt



safety hook



slide lock



universal lock can also be installed around a corner

Plug socket cover (turn)

- prevents children from putting their fingers or an object into plug sockets
- easy to stick on the power socket
- convenient turning mechanism makes it easy to put the plug in the power socket
- ideal for frequently used plug sockets
- suitable for all Dutch plug sockets



Safety plug socket cover (removable)

- prevents children from putting their fingers or an object into plug sockets
- easy to install and remove: no sticking required
- ideal for sockets that are not or hardly used
- suitable for all Dutch plug sockets



Safety plug socket cover with earth pin (Belgium)

- prevents children from putting their fingers or an object into plug sockets
- easy to install and remove using the supplied 'key': no sticking required
- suitable for all Belgian plug sockets with earth pins



Applications

- plug socket

Installation materials

- not applicable

| description | article number | number* | materials | application |
|---|----------------|---------|-----------|--------------|
| junior plug socket covers (turn) | 8050.001.02 | 6 | plastic | plug sockets |
| junior safety plug socket covers (removable) | 8050.001.03 | 6 | plastic | plug sockets |
| junior safety plug socket covers with earth pin (Belgium) | 8050.001.04 | 12 | plastic | plug sockets |

* number in package



safety plug socket cover (NL) is easy to remove for adults by using a plug



plug socket cover completely closes off socket for children, but is easy to use for adults



close off plug sockets to prevent accidents

Safety kits NL and BE

The safety kit is an economy pack with child-proof products. Ideal to get all the necessary items in one go. Nice to give away to parents of young children!

Contents of the safety kit NL

- 8 safety hooks
- 4 corner protectors
- 6 plug socket covers
- 6 safety plug socket covers
- 1 universal lock
- 1 doorstop

Contents of the safety kit BE

- 8 safety hooks
- 4 corner protectors
- 12 safety plug socket covers BE
- 1 universal lock
- 1 doorstop

Applications

- door
- drawer
- cabinet
- plug socket

Installation materials

are included



| description | article number | number* | materials | application |
|--|----------------|---------|-----------|-------------|
| junior safety kit NL | 8050.100.01 | 26 | plastic | various |
| junior safety kit BE (safety plug socket cover with earth pin) | 8050.100.02 | 26 | plastic | various |

* number of items in package





Disclaimer

SecuProducts BV reserves the right to change the product range or to remove parts at any time without having to notify you.

Limited liability

Products and materials are displayed without any form of guarantee or claim to accuracy. These materials may change at any time without prior notice from SecuProducts BV.

The safety of our products is of the utmost importance. We would therefore like to draw your attention to the fact that this safety depends, of course, on correct assembly and compliance with the instructions. Please refer to the various assembly instructions.

Copyright

All intellectual property rights concerning these materials are vested in SecuProducts BV.

Copying, distribution and any other use of these materials is not permitted without the written permission of SecuProducts BV, except and only to the extent provided otherwise in regulations of mandatory law (such as the right to quote), unless otherwise indicated for specific materials.

SecuProducts BV and SecuCare are registered trademarks.

Our General Terms and Conditions of Sale can be found on our website:
<https://secucare.nl/pages/algemene-voorwaarden>

©2023 SecuProducts BV





facebook.com/secucare.nl



twitter.com/SecuCare



linkedin.com/company/secucare-products



youtube.com/SecuProductsBV



instagram.com/secucarebv



SecuProducts BV

Luzernestraat 29 • 2153 GM Nieuw-Vennep, The Netherlands
T: +31 (0)252 620 901 • E: info@secu.nl • I: www.secucare.nl



8095.000.0011V04