



EXHAUST TECHNOLOGIES

(406) 669-3286

GM Kit 6.0L 99-07_{1/2}

Instruction Sheet

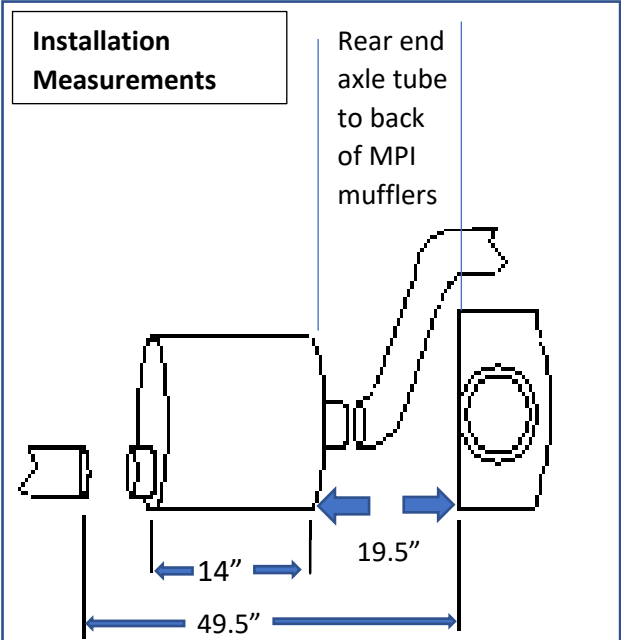
Installation videos on



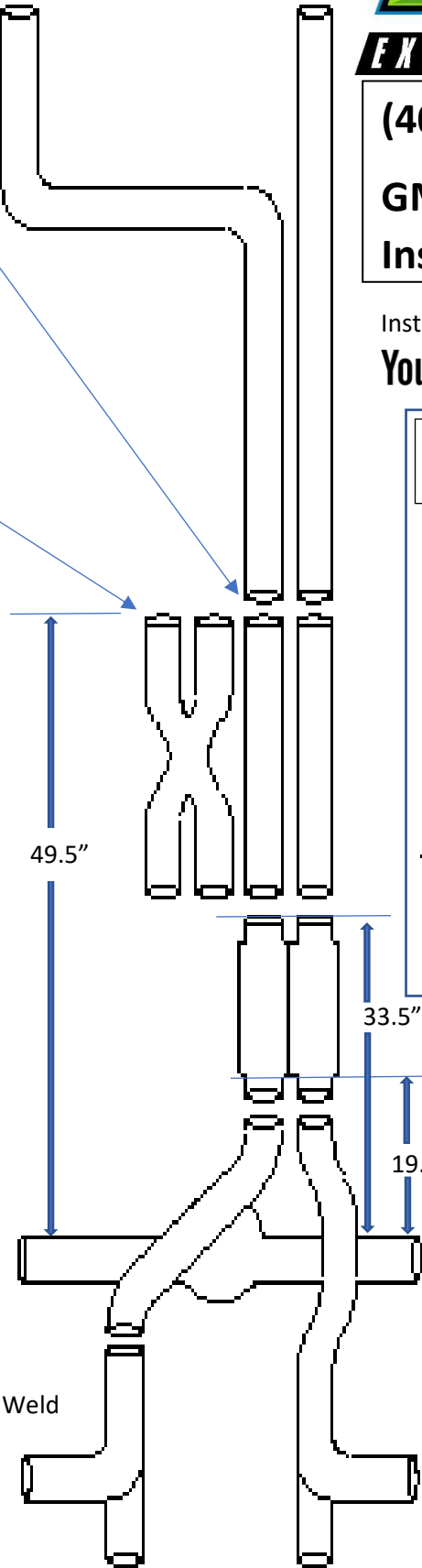
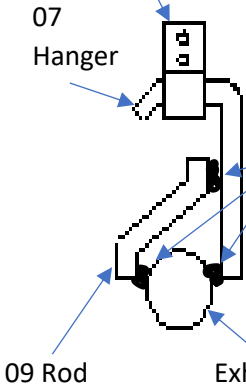
Cut off stock exhaust system at 49.5".
Install Patent Pending Pulse Chamber and MPI mufflers at measurements shown. All measurements are forward from the rear axle tube.

*Wire ties included for securing brake lines

Install included hanger rods at all stock locations. You will need to add a new hanger at the left tailpipe location. Replacement hangers are part number 07.
Rear hangers (left and right side) require an additional included hanger rod (09) added for increased strength.



Draw a line on stock exhaust pipe 49.5" from rear axle tube.



Rear end axle tube

Behind Tire (BT)

Under Bumper (UB)

Patent Pending