

MPI

EXHAUST TECHNOLOGIES

(406) 669-3286

Ford Kit 6.2L & 7.3L

Instruction Sheet

Installation videos on



Install Patent Pending Pulse Chamber and MPI mufflers at measurements shown. All measurements are forward from the rear axle tube. Cut long head pipes at 33.5" from rear axle tube

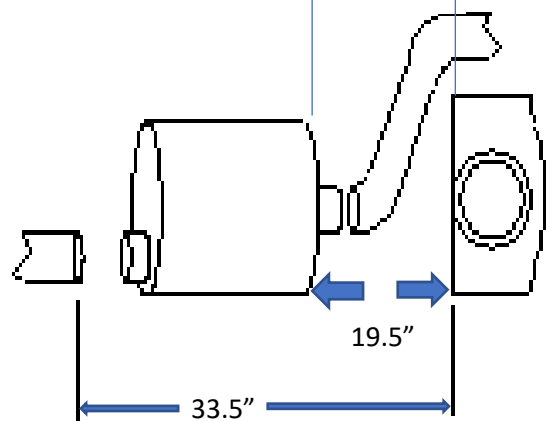
*Wire ties included for securing brake lines

Install included hanger rods at all stock locations. You will need to add a new hanger at the left tailpipe location. Replacement hangers are part number 07.

Rear hangers (left and right side) require an additional included hanger rod (09) added for increased strength.

Installation Measurements

Rear end axle tube to back of MPI mufflers



Rear of vehicle



Make sure the head pipes have the offset facing down

Rear end axle tube

Behind Tire (BT)

Patent Pending

07 Hanger

Weld

09 Rod

Exhaust Pipe

Under Bumper (UB)