






F354-C

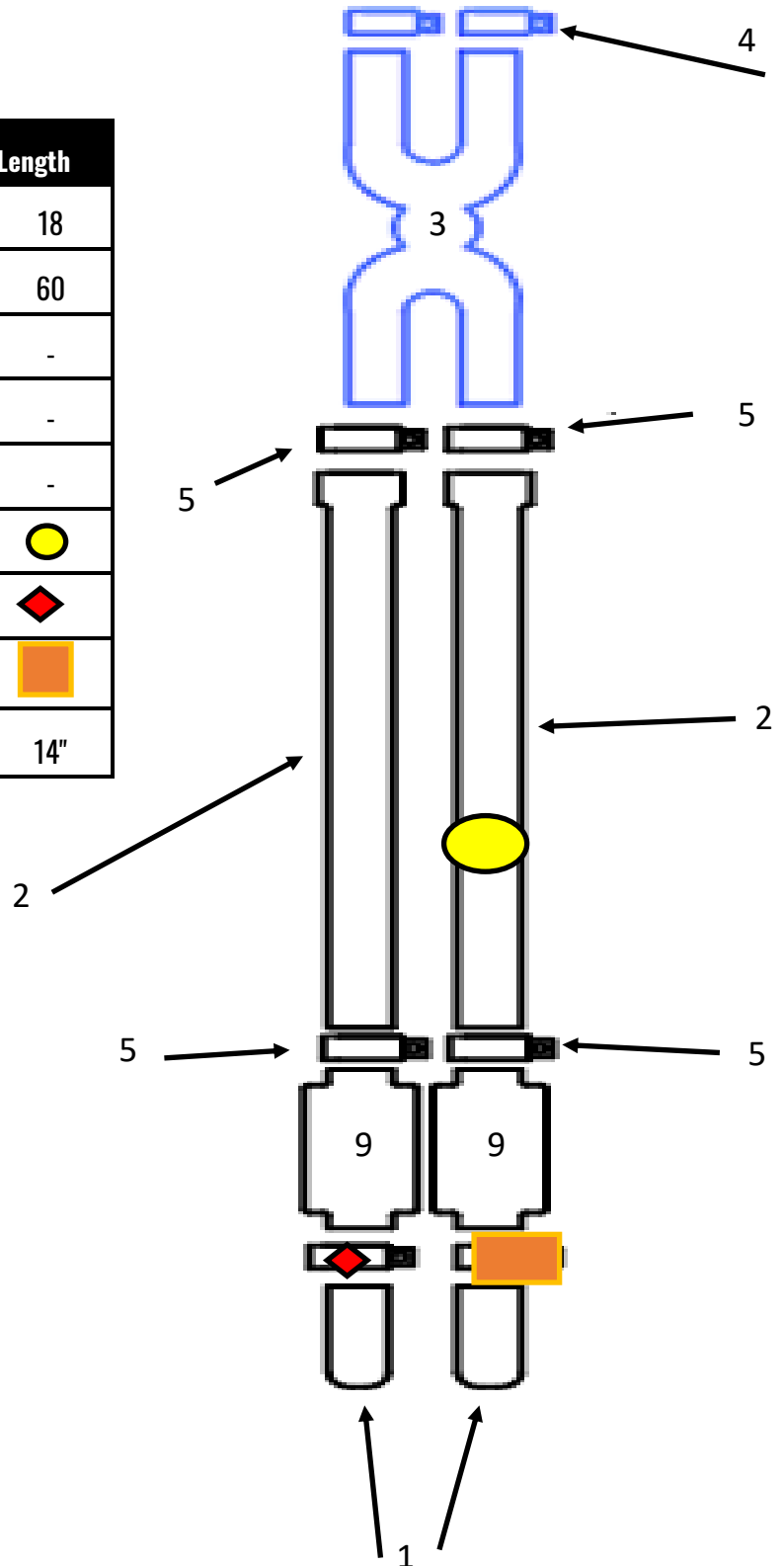
Parts Diagram

2017 - 2024 Ford F250 - F350

With 6.2L, 6.8L, 7.3L Engine

Max : 176 - Inch Maximum Wheelbase

Item	QTY	Part NO.	Descriptions	Length
1	2	MPI - 1	Turn Downs	18
2	2	MPI - 56	Head Pipes	60
3	1	MPI - PC12	Pulse Chamber	-
4	2	MPI - SC275	2.75" Clamp - std.	-
5	6	MPI - SC250	2.5" Clamp - std.	-
6	1	Hanger - 26	Head Pipe	
7	1	Hanger-28	LR Muffler	
8		Hanger—27	RR Muffler	
9	2	-	Mufflers	14"



Customer Support And Warranty information



Thank you for purchasing a MPI Exhaust Technologies System and letting MPI Exhaust customize your ride today! We have a friendly and knowledgeable staff so contact us with any questions. Enjoy the Sound of Perfection

Questions -

ONLY contact MPI Exhaust Technologies if any products are possibly missing, damaged, during shipping or if you have any question about the products.

Call @ 406-669-3286

Installation -

Watch the tutorial YouTube videos before installation or calling @mpi exhaust, we have a very knowledgeable staff that has installed hundreds of these kits.

Warranty -



Contact

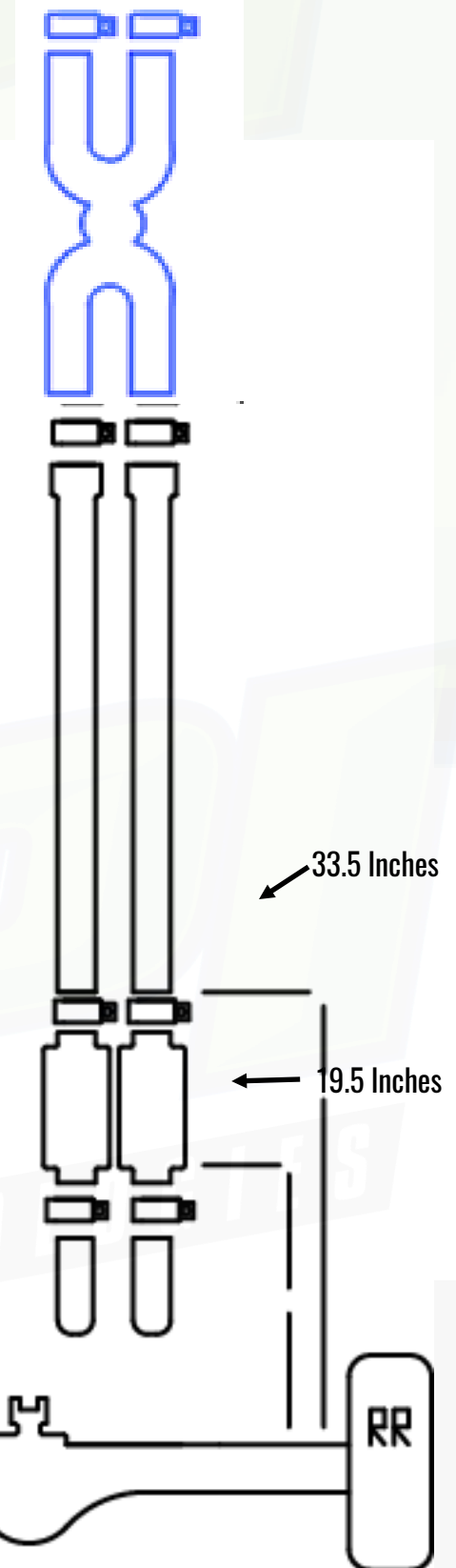
Phone - (406) 669-3286

Email : mikespipesinc@gmail.com



1. Remove Factory System - Cut Infront of dual in single out resonator as close to the case welds as possible on the inlet side
2. Slide Pulse chamber over Factory pipe then Clamp Pulse Chamber, ensure offset away from driveshaft and leveling for Best fitment
3. Install the Right side Head Pipe, then trim to Wheelbase (view diagram) Snug Clamps as you go, don't final tighten yet
4. Install muffler assembly Ensure Rear Muffler Measurement is correct to ensure proper tailpipe placement with Offset Toward Front
5. Install Head Pipe Hanger—Final tighten all clamp to this Point
6. Install Rear Hanger Behind Mufflers
7. When Bullnoze are installed ensure proper rear end clearance
8. Clean finger prints off tips with glass cleaner, clean pipes with brake clean,

* ensure turn downs are below reared end to prevent excess heat on rear end housing



F354 - C

Instruction Packet

F3-4

2017 - 2024 Ford F250 - F350

With 6.2L, 6.8L, 7.3L Engine

Max : 176 - Inch Maximum Wheelbase



MPI

EXHAUST TECHNOLOGIES