

SEGUIN JADE



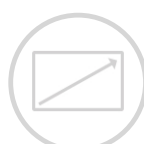
*International Installation Pictured



From Randan, France, the Seguin Jade has the smallest clearance to combustibles in the Seguin freestanding wood stove range. Boasting an impressive 73% efficiency on low burning, the Seguin Jade will heat most rooms effortlessly. The Seguin Jade is also fully equipped with an ash pan, ash grate, and Double Air Flow System (DAFS). With its slender body and large viewing glass, the Jade is bound to be an eye catcher in any room.



100% Pure Cast Iron Firebox



Large Glass Viewing Area



Includes fire grate & ash pan

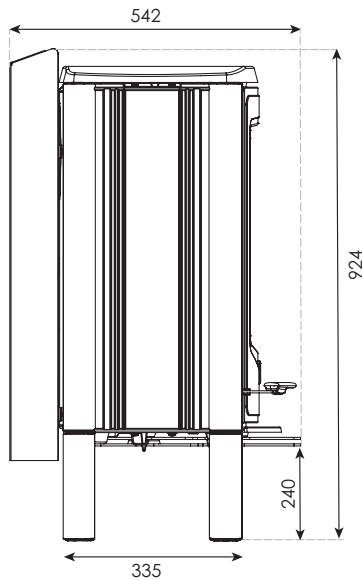


Hand crafted in France

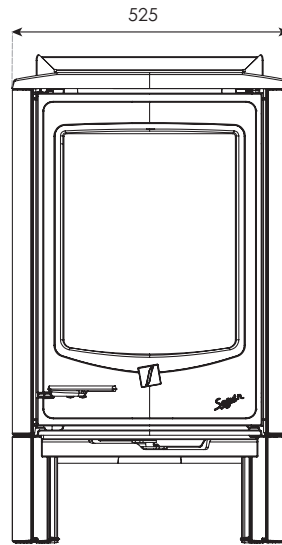


DAFS (Double Air Flow System)

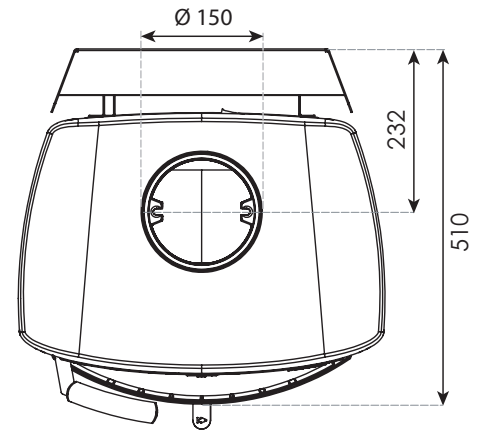
SEGUIN JADE Specifications



SIDE



FRONT



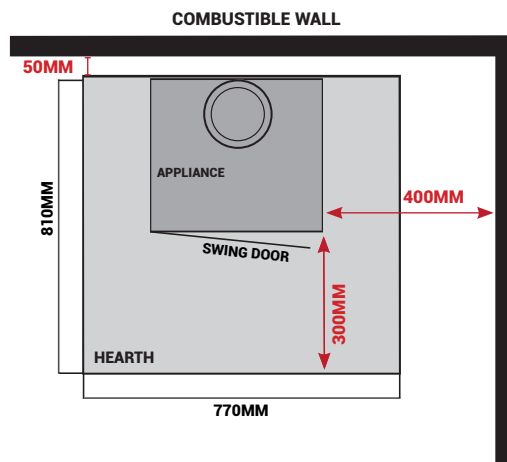
TOP

Material
Available Colour
Dual Damper Control
KW Output
Avg Emissions
Avg Efficiency
Minimum Flue Height
Flue Dimensions
Warranty
Weight
Minimum Hearth Dimensions
Optional Outdoor Air Kit Available

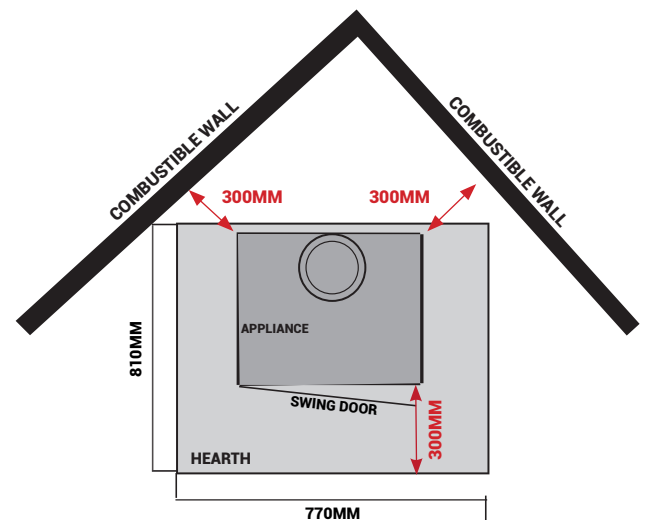
8-12mm Cast iron firebox with vermiculite lining
 Cast Iron Grey
 Combustion air & glass air wash control
 7.4kW
 1.1g/kg
 68%
 4.6m from the hearth
 150mm, 200mm, 250mm
 10 year firebox warranty**
 165 kg
 Width: 770mm Depth: 810mm Thickness: 6mm***

Clearances & Hearth

All clearances shown are for appliance installed with a heat shield.



POSITION A PARALLEL POSITION



POSITION B CORNER POSITION

* Heating capacity of the following appliances are a guide only and refers to areas with 2.4m ceilings and 6 or more star rated buildings. Heating output may vary depending on factors such as building characteristics, quality of insulation, type of firewood used and climate zone.

** See warranty section in the installation manual for further details.

*** Refer to Installation Manual for full hearth dimensions and clearances.

All images & diagrams in this brochure are for illustration purposes only and are not drawn to scale.

E&OE. This unit and diagrams are in accordance with the requirements of AS/NZS 4012/4013 (2014) & 2918 (2018). All wood fires must be installed as per AUS & NZ standards AS/NZS 2918:2018.

© Copyright 2021 Sculpt Fireplaces Collection