



Siena

seven fifty free standing
Wood Fire

By PAUL AGNEW | DESIGNS[®]

Sienna

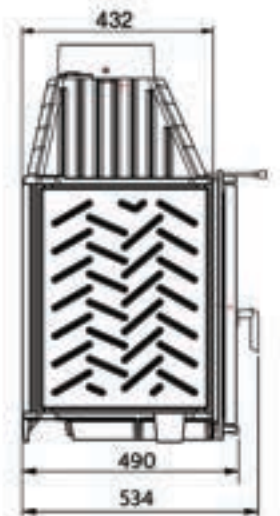
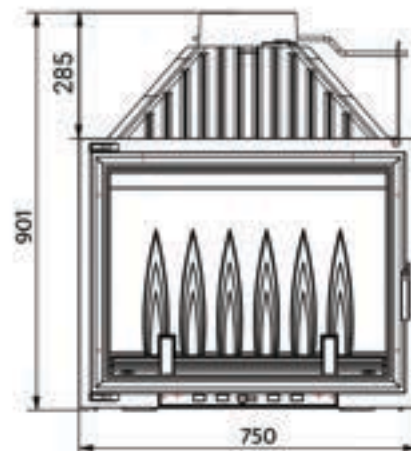
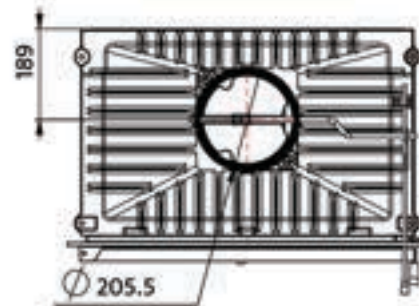
seven fifty free standing

The Sienna collection features a swing door mechanism, black lined glass and all the features of a traditional cast iron fireplace.

This contemporary and innovative design showcases the trends straight from Europe. This artisan cast iron wood fire is sure to excite any design environment.

Specifications

- Secure swing door opening system
- Regulation of air supply for combustion
- Built in damper control
- Radiant combustion heating system
- Removable grate for easy cleaning
- Heat resistant glass withstands temperatures of 800°C.
- Minimalist frame for modern design.
- Heats up to 290 sqm



PAUL AGNEW | **DESIGNS**®

info@paulagnewdesigns.com | www.paulagnewdesigns.com

