



**Jetmaster**  
*Fireplaces Australia*

ENCLOSED GAS  
**HEAT & GLO**

No one builds a better fire





## MEZZO

You've never experienced modern design like this. Clean. Discreet. Luxurious. In 3 sizes, with a see-through model also available. Define your design with a variety of finishing options. We spared nothing, to give you everything. It's modern design, redefined.

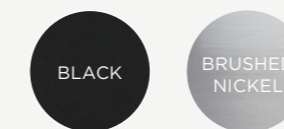
Details matter. Every corner, every edge and every element of the MEZZO is all about perfection. Flames, lights, reflections and warmth combine to elevate the senses. A black glass interior adds depth and intensity to the fire. So captivating, we dare you to take your eyes off of it.

## MEZZO OPTIONS

### TRIM OPTIONS

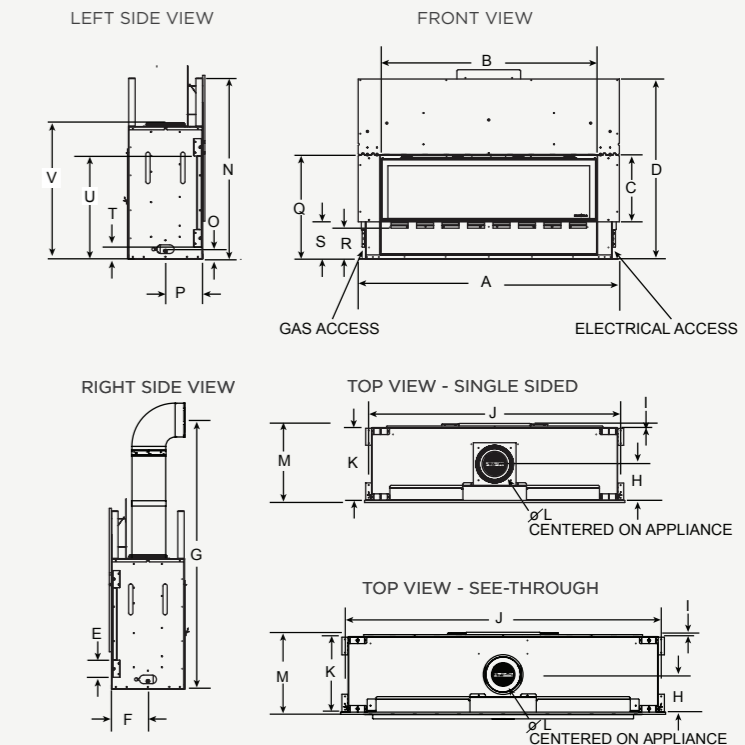


### TRIM FINISHES



MODEL	GLASS SIZE	MAX INPUT mJh	EFFICIENCY	MAX kWh OUTPUT
MEZZO 1000	908 x 318	N - 32 L-30	77%	N 6.8 L 6.5
MEZZO 1300 (ST)	1207 x 318	N - 42 L-38	74%	N 8.7 L 7.8
MEZZO 1600	1511 x 318	N - 53 L-43	76%	N 11.1 L 9.1

MODEL	A	B	C	D	E	F	G	H	I	J	K	L	M	N	O	P	Q	R	S	T	U	V
MEZZO 1000	1270	997	397	1080	102	217	1575	217	25	1173	435	203	471	1060	60	217	622	184	225	70	603	775
MEZZO 1300 (ST)	1575	1299	397	1080	102	217	1575	217	25(13)	1473	435	203	471(460)	1060	60	217	622	184	225	70	603	775
MEZZO 1600	1880	1603	397	1232	102	217	1575	217	25	1778	435	203	471	1213	60	217	622	184	225	70	603	775



### FLEX HEAT REGISTER

Redirect the warmth with a flex heat distribution system, ending in this sleek and discreet vent register.





## SLR-X

Warmth, ambiance and chic contemporary detail. An experience only the SLR-X can provide. A linear design and long ribbon flame form a broad, hypnotic firescape. Several finishing options create a fundamentally modern look for any space while a standard fan circulates the heat.

Reap the benefits of form and function. Clean lines and elegant ambiance never go out of style.

Create a mood so cool, it's hot. A reflective glass liner radiates the fire and intensifies the flame.

## SLR-X OPTIONS

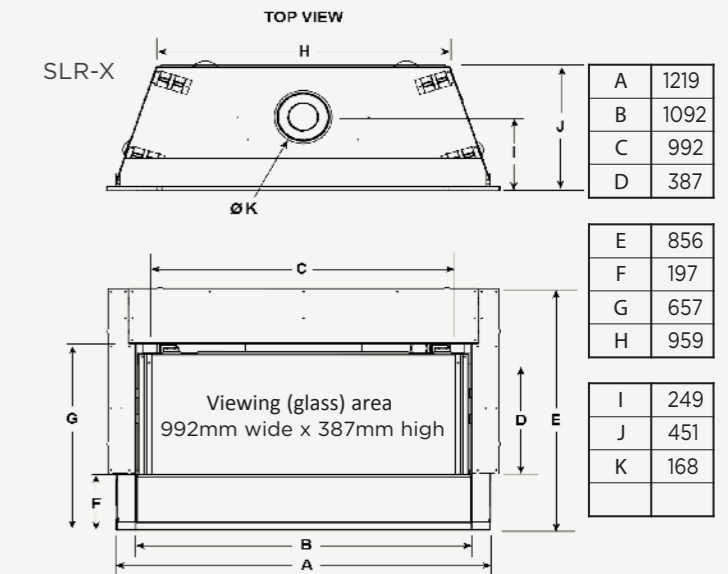
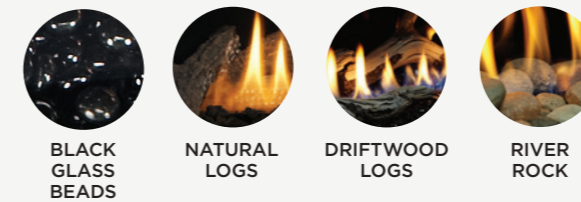
### TRIM OPTIONS



### TRIM FINISHES



### INTERIOR OPTIONS



VIEWING AREA	INPUT mJh		kWh OUTPUT
1100 x 310	High Ng 31.65 Low Ng 22.15	High Lpg 27.43 Low Lpg 19.20	Ng 7.5 Lpg 7.5





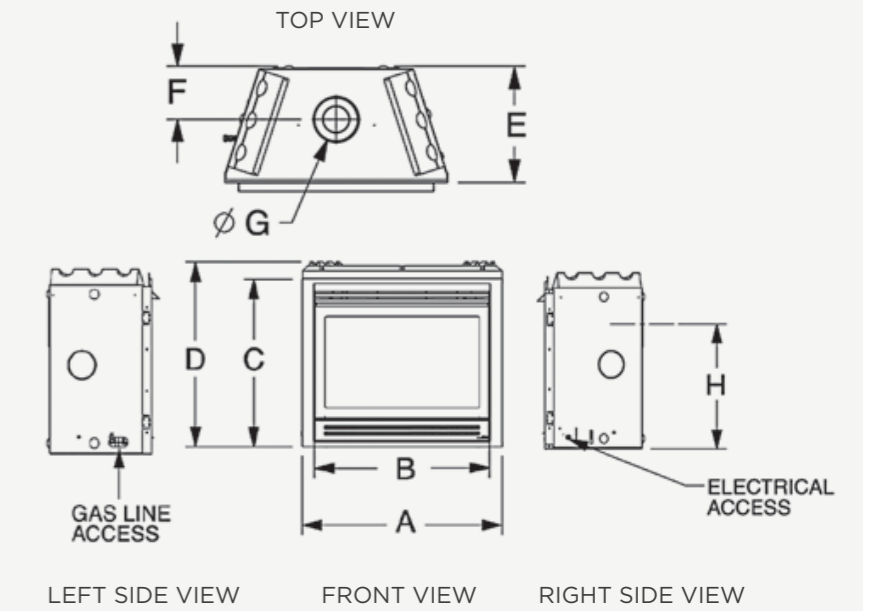
## 3X

With its slim profile the 3X model fireplace offers a variety of installation possibilities with innovative venting options. Featuring a stunning high definition log set and LED ember accent lighting the 3X is a compact and versatile heater that will suit any living space.

Utilizing only a 21mj gas input, the 3X is the ultimate economiser and is ideal for apartments, hotels, homes, townhouses, office reception areas, boardrooms, where conventional chimneys cannot be constructed.

### FEATURES

- High definition log set
- LED ember accent lighting
- 3 speed fan for powerful convection heating
- Intellifire remote for flame height, fan speed and LED light functions
- Optional glass liners for a deeper firebox appearance.
- Top or rear balanced flue venting for versatile installation
- Zero clearance installation
- Available on natural or LPG gas



A	B	C	D	E	F	G	H	VIEWING AREA	INPUT mJh	kWh OUTPUT	
837	714	710*	827	414	191	168 top 203 rear	542	610 x 385	High Ng 21 Low Ng 15	High Lpg 20 Low Lpg 14	Ng 4.5 Lpg 4.3





## 5X

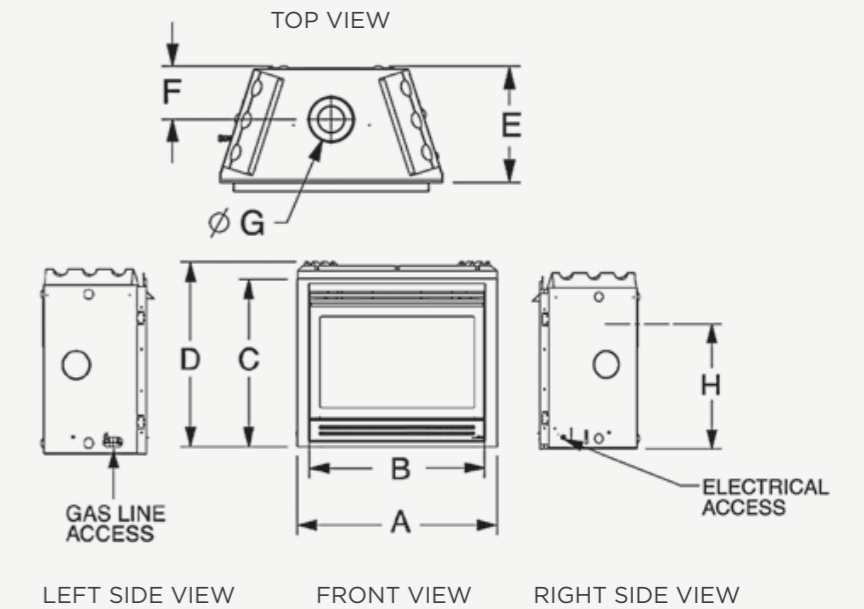
Classic sleek lines and an impressive flame, the 5X model fireplace has become one of Australia most popular.

Similar to its smaller 3X counterpart the 5X model offers the same stunning aesthetic but in a bolder more powerful chassis.

Available with two front options, the Firescreen front for that classic look or the Clean Face front for a discreet flush appearance the 5X model offers a timeless aesthetic.

### FEATURES

- Two front options, Firescreen or Clean Face
- High definition log set
- LED ember accent lighting
- 3 speed fan for powerful convection heating
- Intellifire remote for flame height, fan speed and LED light functions
- Optional glass liners for a deeper firebox appearance.
- Top or rear balanced flue venting for versatile installation
- Zero clearance installation
- Available on natural or LPG gas



### FRONT OPTIONS (REQUIRED)



A	B	C	D	E	F	G	H	VIEWING AREA	INPUT mJh	kWh OUTPUT	
913	790	765*	877	414	191	168 top 203 rear	593	670 x 410	High Ng 28 Low Ng 20	High Lpg 26 Low Lpg 18	Ng 5.9 Lpg 5.5





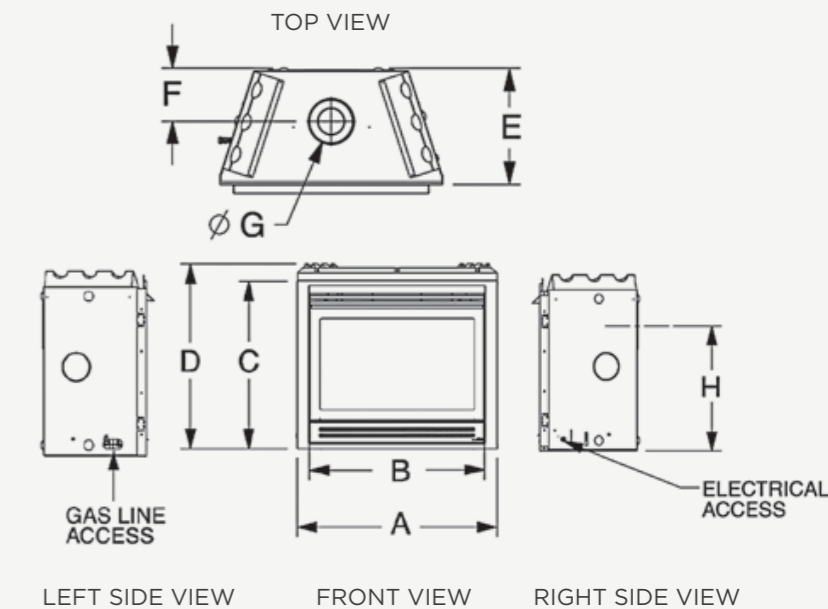
## 6X

The 6X model is the latest incarnation of Heat & Glo's original flagship fireplace and is the standard bearer for the X Series range.

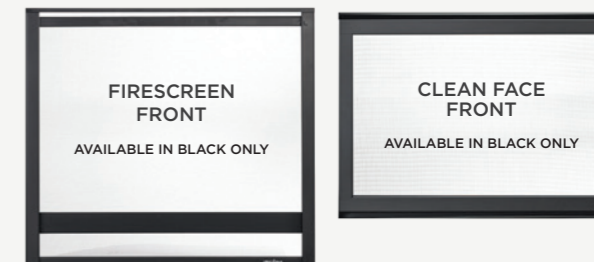
Offering the same sleek design as the 3X & 5X models the 6X has all their additional extras included as standard as well as a high spec anti reflective glass giving you no reflection, all fire.

### FEATURES

- Anti-reflective ceramic glass gives the appearance of an open fire
- Two front options, Firescreen or Clean Face
- High definition log set
- LED ember accent lighting
- 3 speed fan for powerful convection heating
- Intellifire remote for flame height, fan speed and LED light functions
- Glass liners for a deeper firebox appearance offered as standard
- Top or rear balanced flue venting for versatile installation
- Zero clearance installation
- Available on natural or LPG gas



#### FRONT OPTIONS (REQUIRED)



A	B	C	D	E	F	G	H	VIEWING AREA	INPUT mJh		kWh OUTPUT
1041	918	851*	879	533	297	216	683	670 x 410	High Ng 42.2 Low Ng 29.5	High Lpg 42.2 Low Lpg 29.5	Ng 9.5 Lpg 9.5





## I30-X INSERT

The ultimate insert for your existing fireplace, the i30-X features all the benefits of balanced flue technology and efficient space heating with a stunning high definition log set.

Dual flexi flues ensure a simple installation with one flue drawing air from outside for combustion and the other flue expelling the fumes.

This completely airtight fireplace allows for brilliant indoor air quality.

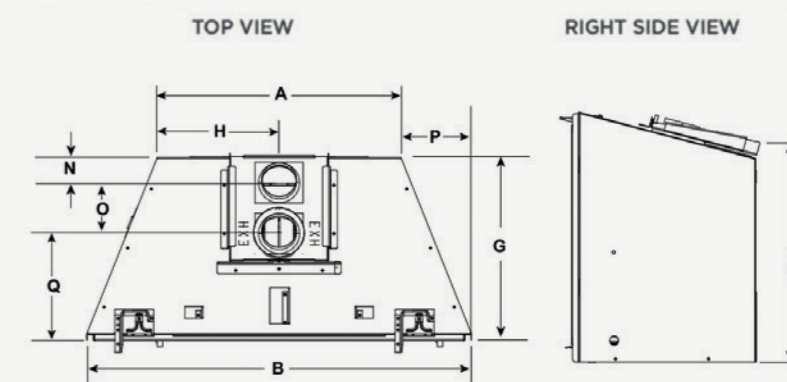
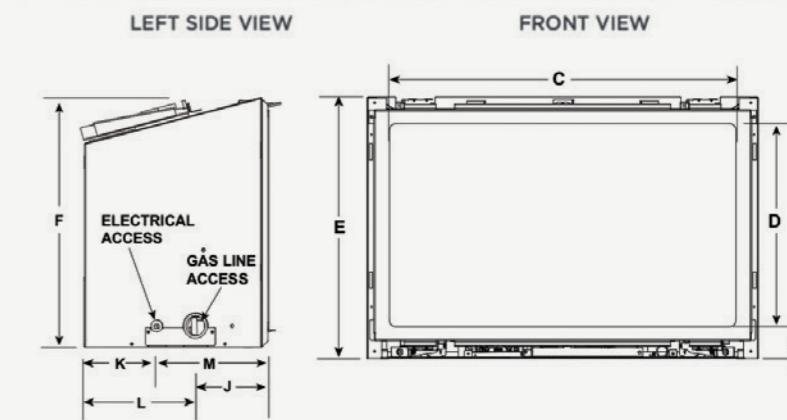
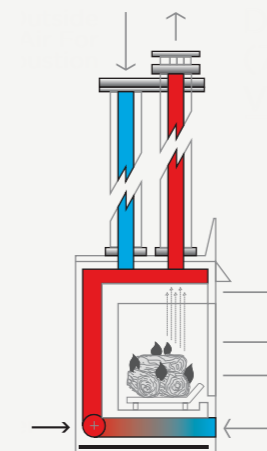
Choose from a range of décor finishing options including 3 & 4-sided black trims or a range of mantelpiece and fascia options to suit either a traditional or contemporary aesthetic.

The i30-X can also be built into brick or hebel as a new fireplace application.

### OPTIONAL EXTRAS INCLUDE:

- Ambient accent lighting
- Glass reflective liners
- Brick refractory liners

**REQUIRES STAINLESS STEEL COWL**



VIEWING AREA	INPUT mJh		kWh OUTPUT
700 x 405	High Ng 32 Low Ng 22	High Lpg 31 Low Lpg 21	Ng 7.4 Lpg 7.4

A	B	C	D	E	F	G	H	I	J	K	L	M	N	O	P	Q	R
499	791	699	405	527	511	369	249	481	144	149	229	222	54	103	146	222	62





## I30-X FREESTANDING

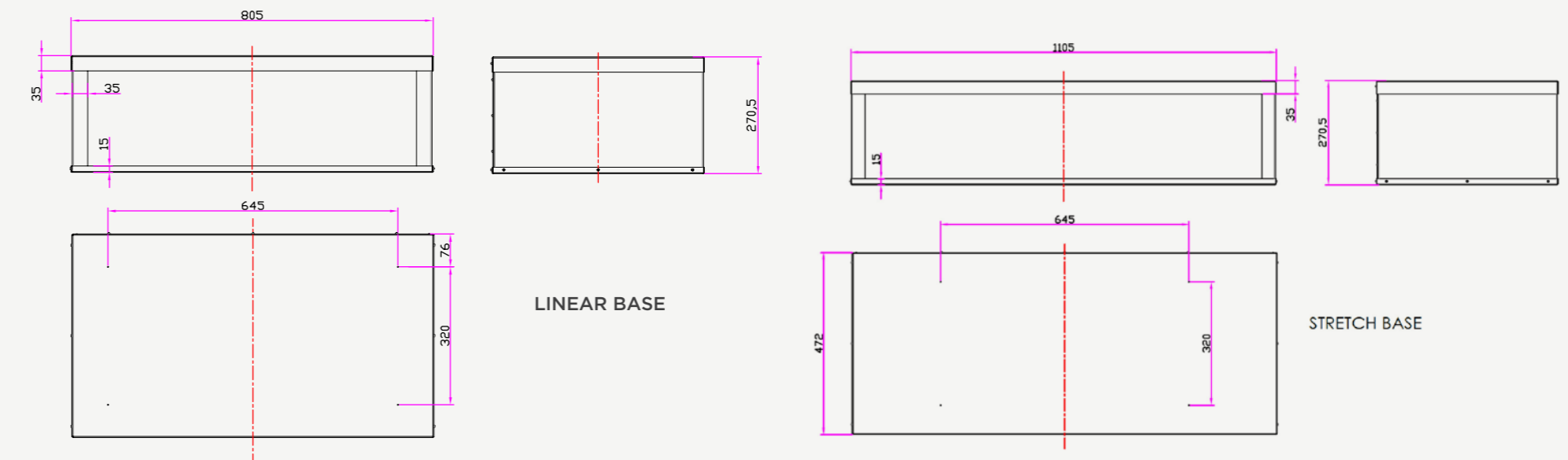
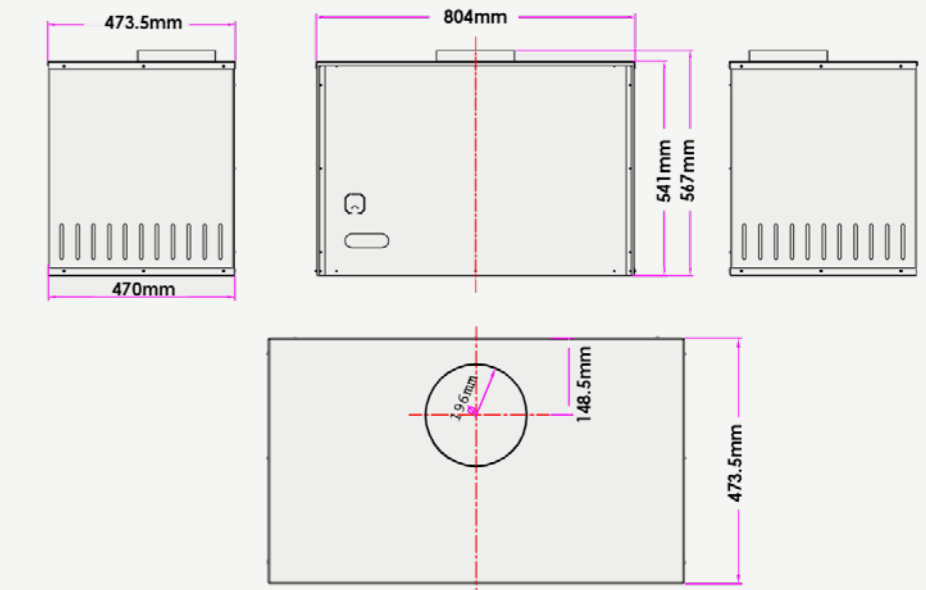
The i30X is also available in a space saving freestanding design, with 2 base options to choose from.

The i30X firebox is enclosed in a minimalistic mild steel casing designed to give less frame and more flame. The matching flue and casing feature a powder coated finish that allows worry free cleaning.

The freestanding i30X Linear or Stretch pedestal bases have modern design in mind with clean lines and an elevated view of the fire and beautifully crafted high definition logs.

### OPTIONAL EXTRAS INCLUDE:

- Ambient accent lighting
- Glass reflective liners
- Brick refractory liners



LINEAR BASE

STRETCH BASE





## VRTIKL

Slender & sophisticated. At home uptown, downtown, and everywhere in between. Define your style with distinctive finishing combinations. The VRTIKL takes a whole new approach to functional modern design.

### FEATURES

- Available in Natural Gas or LPG
- Top or rear venting for installation flexibility.
- High definition log media
- Intellifire Plus electronic ignition.

MODEL	WIDTH	HEIGHT	DEPTH	GLASS SIZE	MAX INPUT mJh	EFFICIENCY	MAX kWh OUTPUT
VRTIKL	479	1025	403	470 x 877	N - 27 L - 25	75%	N 5.6 L 5.2

Dimensions are in millimeters. Reference dimensions only. We recommend measuring individual units at installation. NOTE: Combustible material should not be installed over the face. Make sure you do NOT cover the decorative door opening. Refer to installation manual for detailed specifications on installing this product. Heat & Glo reserves the right to update units periodically. The flame and ember appearance may vary based on the type of fuel burned and the venting configuration used. Pictures in this brochure are not a true representation of the fireplace and/or flames.





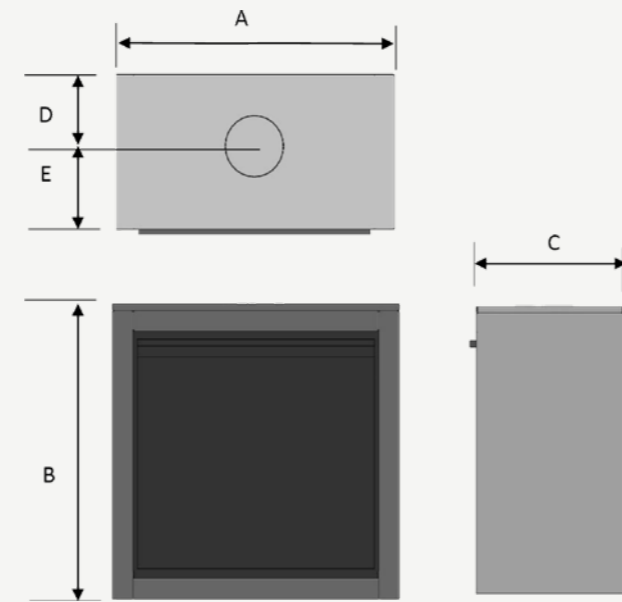


## X-SERIES FREESTANDING

Our Heat & Glo 3X & 5X models are now available in a compact, efficient freestanding option.

Delivering all the key features of the Heat & Glo X-Series range, the freestanding models can be wall hung, floor or stand mounted making installation easy.

Providing more flexibility to suit a wide variety of living spaces, the X-Series Freestander range delivers premium style, performance and quality that set Heat & Glo fires apart.



MODEL	A	B	C	D	E
3X	855	880	452	243	209
5X	931	930	452	243	209



## HEAT & GLO

Heat & Glo is fuelled by innovation and driven to prove “No One Builds A Better Fire.” The brand was founded in 1975 in a small Minnesota garage by brothers Ron and Dan Shimek. In 1987, Heat & Glo introduced Balanced Flue technology—forever changing the way fireplaces function.

Much has changed since the beginning. Yet much remains the same. One part innovation. One part application. With an eye toward design and innovative technologies, Heat & Glo continues on an endless pursuit; pushing the boundaries of where fire can go and how it can look.



BALANCED FLUE  
GAS TECHNOLOGY



ADVANCED  
IGNITION



ZERO CLEARANCE  
INSTALLATION



REMOTE  
CONTROL



FLEX HEAT  
TECHNOLOGY





## NOTES

---

---

---

---

---

---

---

---

**Reliability | Innovation | Service | Quality**

For the entire Jetmaster range, visit your nearest showroom  
[jetmaster.com.au](http://jetmaster.com.au) | 1300 538 627

NSW - 55 Marrickville Road Marrickville 2204

QLD - 13 French Ave Brendale 4500

S.A - 40 Maple Ave Forestville 5035

W.A - 277 Lord Street Perth 6000

VIC - [www.jetmaster.com.au](http://www.jetmaster.com.au)