



SCULPT™

FIREPLACE
COLLECTION



a new dimension in fireplace design



Intent on providing Australian's with a dynamic collection of designer fires, Sculpt Fireplace Collection has gathered not only Europe's best fireplace designs, but also fireplaces which have been manufactured with high quality materials, ensuring they are built to last.

Axis fireplaces are ranked #1 in France for their panoramic designs, innovation integration, state of the art manufacture technology, environmental impact, operational expertise and overall quality. Proudly hand crafted in France, these fireplaces add a new dimension to your home by creating the maximum of comfort whilst capturing the perfect place for social gatherings and special moments.

Meticulous hand assembled, each Axis fireplace perpetuates the "Duty of Quality" with a simple objective: *"Make the fireplace the heart of your home"*.

Advantages of Axis



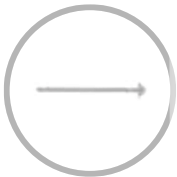
Handcrafted in France

Over the past 18 years, Axis have been dedicated to designing and manufacturing luxury steel fireboxes using traditional handcrafting methods to provide the highest quality finish, as well as the most advanced technology and purest materials.



Unmatched Frameless Flame

Axis wood fireplaces provide some of the largest glass facades, to ensure the flame is easily visible. Axis H Series fireplaces are equipped with a lift door option, allowing for simple operation for endless ambiance.



Outdoor Air Intakes

An optional extra outside air connection is recommended for 6+ star rated or tightly sealed homes, where oxygen is drawn from outside and through the DAFS for combustion. This provides better efficiency and more effective combustion, thus not affecting the air quality in your home.



DAFS (Double Airflow System)

Each Axis Panoramic Fireplace are equipped with patented DAFS technology which aims to inject oxygen at a determined level inside of the combustion chamber. The supply of new oxygen will burn gases and smoke not yet burnt, preventing them from being released into the flue system. The outcome is a longer fire term, cleaner glass, and effective combustion of fire wood.



The Axis Difference

Axis H Series fireboxes are made up of 60mm interlocking kiln bricks which are manually assembled and have been baked at 1350°. The patented refractory bricks ensure the accumulation, transmission and continuous release of heat over a superior period of time even after the fire has dissipated; providing superior heating capacities.





AXIS H1200



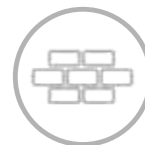
The artisan engineered Axis H1200 is a French panoramic steel firebox with breathtaking sentiments and an unbelievable heating performance. With it's manually assembled interlocking refractory fire bricks and DAFS (Double Air Flow System) technology, the Axis H1200 inbuilt wood fireplace has been mastered to perfection. The large glass viewing area also gives this French made wood heater a luxurious contemporary feel that is much sought-after.



DAFS
(Double Air Flow
System)



Includes
Fire Grate
& Ash Pan



Warrantied
Refractory Fire
Bricks



Dual Opening
System



Optional
Outdoor Air Kit



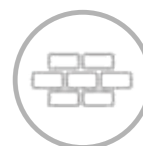
The hand-crafted Axis H1400 is a French engineered steel firebox that is sure to add a grand statement in any home. An incredible heating performance ensures your home is kept toasty in the colder months. With its manually assembled interlocking refractory fire bricks and DAFS (Double Air Flow System) technology, the Axis H1400 inbuilt wood fireplace encompasses engineering excellence. The generous glass viewing area also gives this French made wood heater an opulent quality that is highly prized.



DAFS
(Double Air Flow
System)



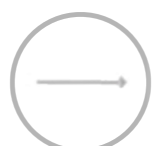
Includes
Fire Grate
& Ash Pan



Warrantied
Refractory Fire
Bricks



Dual Opening
System



Optional
Outdoor Air Kit

AXIS H1600



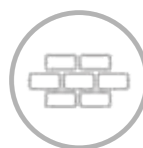
The handmade excellence of the Axis H1600 wood fireplace is much desired to those who seek the elegance of a panoramic wood heater combined with an unbelievable heating performance. This French made wood heater with manually assembled interlocking fire bricks will retain and radiate heat into the room even when the fire has recently dissipated. With its long glass viewing area, you'll be able to watch a dazzling performance of dancing flames.



DAFS
(Double Air Flow
System)



Includes
Fire Grate
& Ash Pan



Warrantied
Refractory Fire
Bricks



Dual Opening
System



Optional
Outdoor Air Kit



Australia's Largest Wood Heater

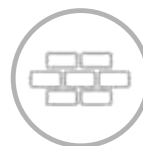
The large panoramic H1600XXL takes the title for being Australia's largest inbuilt wood fireplace, with an unbelievable 1.7m glass viewing area. With flexibility to be used as an open fireplace or slow combustion wood heater, this designer statement is sure to be a focal point in any grand space. Featuring an exceptional, hand-made French panoramic steel firebox with manually assembled interlocking heavy duty fire bricks that retain the heat well after the fire has dissipated.



DAFS
(Double Air Flow
System)



Includes
Fire Grate
& Ash Pan



Warrantied
Refractory Fire
Bricks



Dual Opening
System



Optional
Outdoor Air Kit

AXIS H1200DS



The artisan engineered Axis H1200DS double sided inbuilt wood fireplace is the perfect divider between two living spaces. View a spirited display of ambient flames that dance continuously from this double sided masterpiece all winter long. A personal gallery awaits from any point in the room with the Axis H1200DS double sided inbuilt wood fireplace. The large glass viewing area also gives this French hand made wood heater a luxurious contemporary feel that is much sought-after.



DAFS
(Double Air Flow System)



Includes
Fire Grate & Ash Pan



Warrantied
Refractory Fire Bricks



Dual Opening
System



Optional
Outdoor Air Kit

AXIS H1600DS



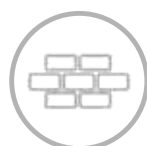
Let the Axis H1600DS double sided wood heater make an elegant statement in any open plan space. This slow combustion wood heater discreetly emphasises the art of perfect design and mastered engineering. With its long glass viewing area, you'll be able to watch the dancing flames all winter long. A panoramic wood heater combined with an excellent performance and double sided viewing area.



DAFS
(Double Air Flow
System)



Includes
Fire Grate
& Ash Pan



Warranted
Refractory Fire
Bricks



Dual Opening
System



Optional
Outdoor Air Kit

AXIS H1600XXL DS



Australia's Largest Double Sided Wood Heater

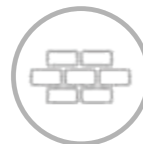
Being the largest double sided fireplace available in Australia, the Axis H1600XXL DS, has an unbelievable see-through 1.7m glass viewing area. With flexibility to be used as an open fireplace or slow combustion wood heater, this is true opulence with a contemporary edge all in a timeless design. The Axis H1600XXL DS features an exceptional panoramic steel firebox with manually assembled interlocking heavy duty fire bricks that retain the heat well after the fire has dissipated.



DAFS
(Double Air Flow
System)



Includes
Fire Grate
& Ash Pan



Warranted
Refractory Fire
Bricks



Dual Opening
System



Optional
Outdoor Air Kit



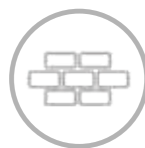
Spectacular from any angle the Axis H1200 3V three sided wood fireplace will create an unsurpassed ambience with its unique characteristics of being either an open fireplace or slow combustion heater with its unconventional glass viewing area. It's high quality three sided panoramic steel firebox and elegant glass door makes the aesthetics of the luxurious Axis H1200 3V three sided wood fireplace a real show stopper in any designer space.



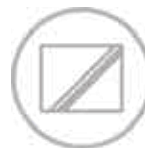
DAFS
(Double Air Flow
System)



Includes
Fire Grate
& Ash Pan



Warrantied
Refractory Fire
Bricks



Dual Opening
System



Optional
Outdoor Air Kit

AXIS H1200VLG



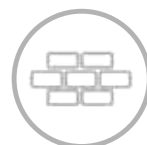
The Axis H1200 VLG two sided wood fireplace, with left hand side glass viewing area, is a display of geometric versatility and artisan engineered construction and will exude mesmerizing comfort and unsurpassed design excellence from any angle. With it's playful design the Axis H1200VLG will bring a polished urban design to any space. The large glass viewing area also offers a highly sought-after luxurious contemporary feel.



DAFS
(Double Air Flow System)



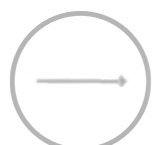
Includes
Fire Grate
& Ash Pan



Warranted
Refractory Fire
Bricks



Dual Opening
System



Optional
Outdoor Air Kit



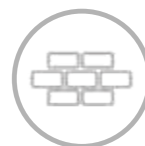
The Axis H1200 VLD showcases a right hand side corner glass viewing area option. Displaying a geometric versatility and artisan engineered construction that will exude mesmerizing comfort and unsurpassed design excellence from any angle. With it's playful design the Axis H1200VLD will bring a polished urban design to any space. The large glass viewing area also offers a highly sought-after luxurious contemporary feel.



DAFS
(Double Air Flow
System)



Includes
Fire Grate
& Ash Pan



Warranted
Refractory Fire
Bricks



Dual Opening
System



Optional
Outdoor Air Kit

AXIS EPI950



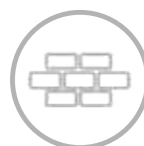
Making a distinct impression, the Axis EPI950 is a smart beauty that will appeal to any interior living space. Humbly sophisticated, the high quality three sided glass viewing area achieves to not only heat a home but also create an astute impression upon entry. All of this combined with the high end, luxury designer style and the latest efficiencies from Europe, expertly offered by the Axis range.



DAFS
(Double Air Flow
System)



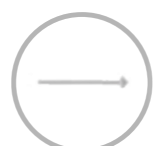
Includes
Fire Grate
& Ash Pan



Warrantied
Refractory Fire
Bricks

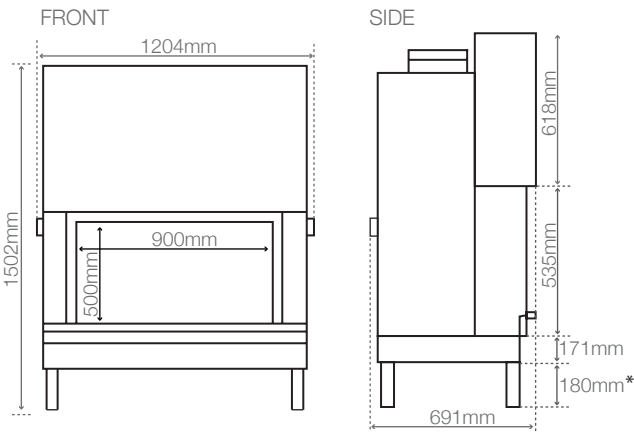


Dual Opening
System



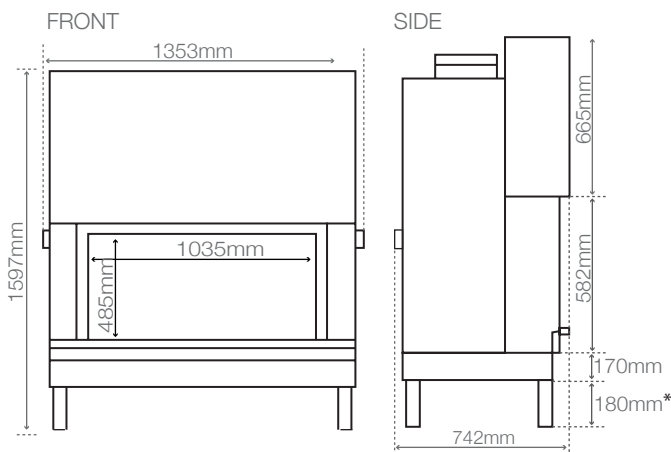
Optional
Outdoor Air Kit

AXIS Specifications



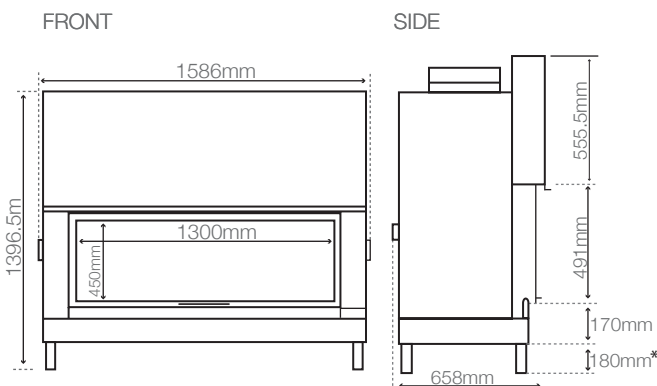
Axis H1200

Material	Solid steel firebox with 60mm thick firebricks
KW output	25kw+
Heating capacity	Up to 150m ² -300m ² *
Facade	Clean frame-less design (trim options available)
Glass door	Secure lift up and swing door
Minimum flue height	5.4m
Flue sizes	250mm, 300mm, 350mm
Hot air transfer kit	Optional extra
Outside air kit	Recommended for well insulated homes
Warranty	10 year firebrick & 5 year firebox warranty**
Weight	380kg
Legs	Adjustable 180mm-600mm***
Hearth dimensions	min 1000mm in front of any part of the fireplace, 250mm on either side & 75mm thick****



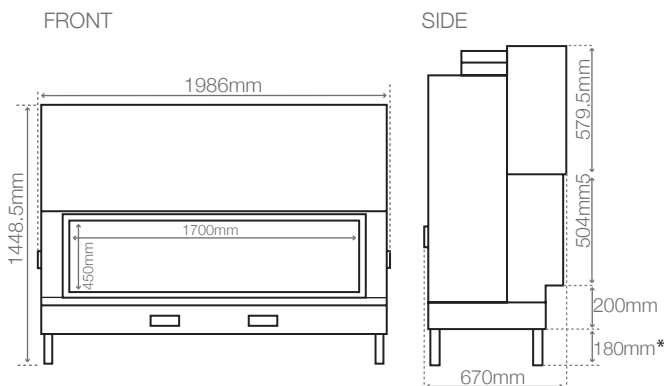
Axis H1400

Material	Solid steel firebox with 60mm thick firebricks
KW output	25kw+
Heating capacity	Up to 180m ² -320m ² *
Facade	Clean frame-less design (trim options available)
Glass door	Secure lift up and swing door
Minimum flue height	5.4m
Flue sizes	300mm, 350mm, 400mm
Hot air transfer kit	Optional extra
Outside air kit	Recommended for well insulated homes
Warranty	10 year firebrick & 5 year firebox warranty**
Weight	400kg
Legs	Adjustable 180mm-600mm***
Hearth dimensions	min 1000mm in front of any part of the fireplace, 250mm on either side & 75mm thick****



Axis H1600

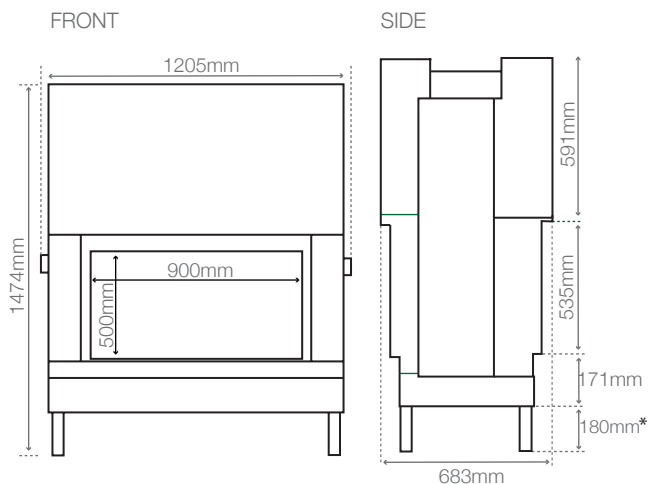
Material	Solid steel firebox with 60mm thick firebricks
KW output	25kw+
Heating capacity	Up to 200m ² -350m ² *
Facade	Clean frame-less design (trim options available)
Glass door	Secure lift up and swing door
Minimum flue height	5.4m
Flue sizes	300mm, 350mm, 400mm
Hot air transfer kit	Optional extra
Outside air kit	Recommended for well insulated homes
Warranty	10 year firebrick & 5 year firebox warranty**
Weight	460kg
Legs	180mm-600mm***
Hearth dimensions	min 1000mm in front of any part of the fireplace, 250mm on either side & 75mm thick****



Axis H1600XXL

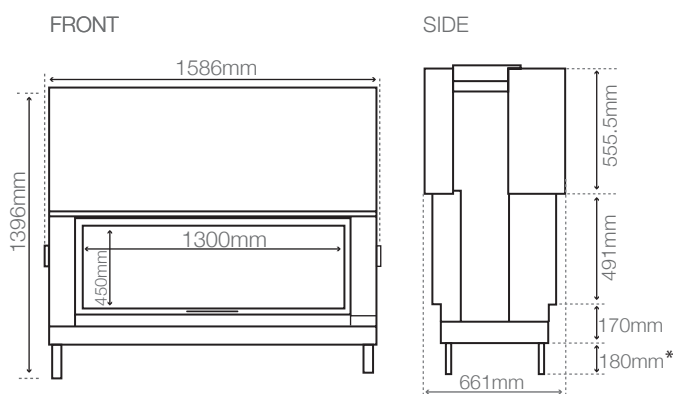
Material	Solid steel firebox with 60mm thick firebricks
KW output	25kw+
Heating capacity	Up to 250m ² -400m ² *
Facade	Clean frame-less design (trim options available)
Glass door	Secure lift up and swing door
Minimum flue height	5.4m
Flue sizes	300mm, 350mm, 400mm
Hot air transfer kit	Optional extra
Outside air kit	Recommended for well insulated homes
Warranty	10 year firebrick & 5 year firebox warranty**
Weight	530kg
Legs	Adjustable 180mm-600mm***
Hearth dimensions	min 1000mm in front of any part of the fireplace, 250mm on either side & 75mm thick****

AXIS Specifications



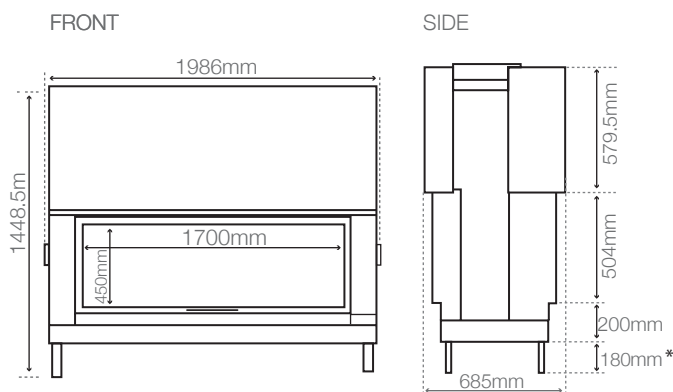
Axis H1200DS

Material	Solid steel firebox with 60mm thick firebricks
KW output	25kw+
Heating capacity	Up to 200m ² *
Facade	Clean frame-less design (trim options available)
Glass door	Secure lift up and swing door
Minimum flue height	5.4m
Flue sizes	250mm, 300mm, 350mm
Hot air transfer kit	Optional extra
Outside air kit	Recommended for well insulated homes
Warranty	10 year firebrick & 5 year firebox warranty**
Weight	380kg
Legs	Adjustable 180mm-600mm***
Hearth dimensions	min 1000mm in front of any part of the fireplace, 250mm on either side & 75mm thick****



Axis H1600DS

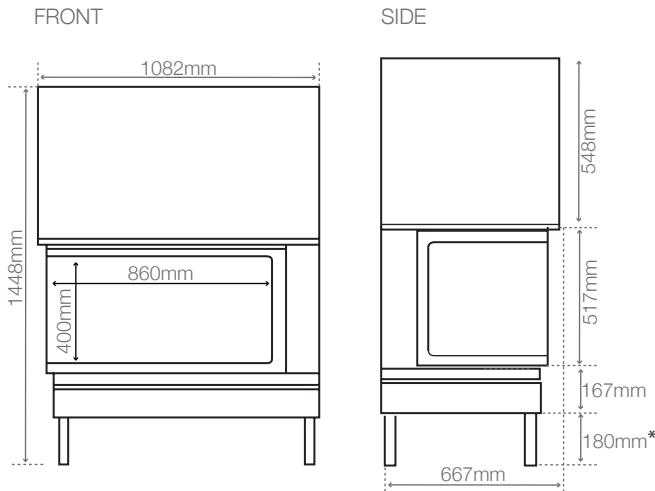
Material	Solid steel firebox with 60mm thick firebricks
KW output	25kw+
Heating capacity	Up to 250m ² *
Facade	Clean frame-less design (trim options available)
Glass door	Secure lift up and swing door
Minimum flue height	5.4m
Flue sizes	300mm, 350mm, 400mm
Hot air transfer kit	Optional extra
Outside air kit	Recommended for well insulated homes
Warranty	10 year firebrick & 5 year firebox warranty**
Weight	460kg
Legs	Adjustable 180mm-600mm***
Hearth dimensions	min 500mm in front of any part of the fireplace, 250mm on either side & 75mm thick****



Axis H1600XXLDS

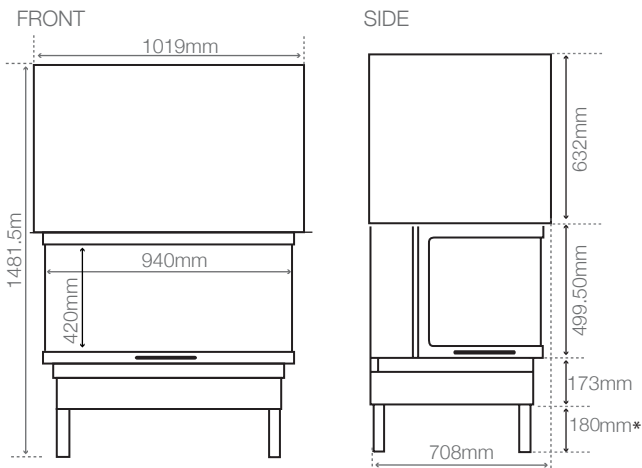
Material	Solid steel firebox with 60mm thick firebricks
KW output	25kw+
Heating capacity	Up to 300m ² *
Facade	Clean frame-less design (trim options available)
Glass door	Secure lift up and swing door
Minimum flue height	5.4m
Flue sizes	300mm, 350mm, 400mm
Hot air transfer kit	Optional extra
Outside air kit	Recommended for well insulated homes
Warranty	10 year firebrick & 5 year firebox warranty**
Weight	530kg
Legs	Adjustable 180mm-600mm***
Hearth dimensions	min 1000mm in front of any part of the fireplace, 250mm on either side & 75mm thick****

AXIS Specifications



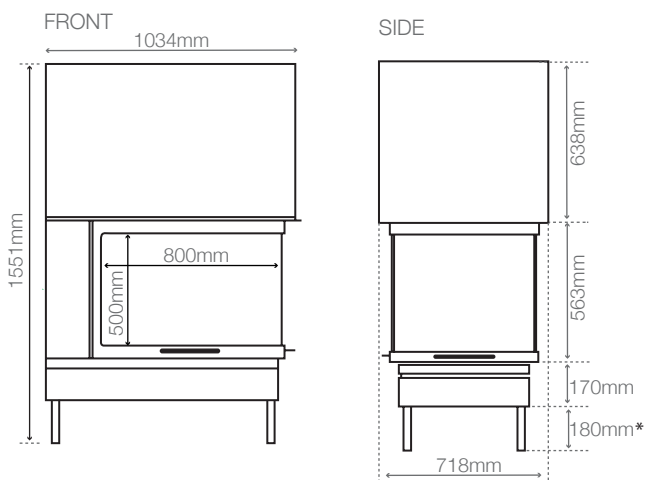
Axis H1200VLD/MLG

Material	Solid steel firebox with 60mm thick firebricks
KW output	25kw+
Heating capacity	Up to 200m ² *
Facade	Clean frame-less design (trim options available)
Glass door	Secure lift up and swing door
Minimum flue height	5.4m
Flue sizes	250mm, 300mm, 350mm
Hot air transfer kit	Optional extra
Outside air kit	Recommended for well insulated homes
Warranty	10 year firebrick & 5 year firebox warranty**
Weight	380kg
Legs	Adjustable 180mm-600mm***
Hearth dimensions	min 1000mm in front of any part of the fireplace, 250mm on either side & 75mm thick****



Axis H12003V

Material	Solid steel firebox with 60mm thick firebricks
KW output	25kw+
Heating capacity	Up to 200m ² *
Facade	Clean frame-less design (trim options available)
Glass door	Secure lift up and swing door
Minimum flue height	5.4m
Flue sizes	250mm, 300mm, 350mm
Hot air transfer kit	Optional extra
Outside air kit	Recommended for well insulated homes
Warranty	10 year firebrick & 5 year firebox warranty**
Weight	380kg
Legs	Adjustable 180mm-600mm***
Hearth dimensions	min 1000mm in front of any part of the fireplace, 250mm on either side & 75mm thick****



Axis EPI950

Material	Solid steel firebox with 60mm thick firebricks
KW output	25kw+
Heating capacity	Up to 50m ² -200m ² *
Facade	Clean frame-less design (trim options available)
Glass door	Secure lift up and swing door
Minimum flue height	5.4m
Flue sizes	280mm, 330mm, 380mm
Includes hot air transfer kit	Two ducts and two registers
Outside air kit	Recommended for well insulated homes
Warranty	10 year firebrick & 5 year firebox warranty**
Weight	330kg
Legs	Adjustable 180mm-600mm***
Hearth dimensions	min 1000mm in front of any part of the fireplace, 250mm on either side & 75mm thick****

* Heating capacity of the following appliances are a guide only and refers to areas with 2.4m ceilings and 6 or more star rated buildings. Heating output may vary depending on factors such as building characteristics, quality of insulation, type of firewood used and climate zone.

** See warranty section in the installation manual for further details.

*** As depicted in unit dimensions, legs are adjustable 180mm - 600mm

**** See clearances and hearth tables on page 15 of Axis H Series installation manual for further details.

DISCLAIMER: E.&E.O Images and diagrams are for illustration purposes only. Sculpt reserves the right to change these specifications without prior notice. This information does not replace the installation manual which provides more in depth information. Must be installed in a full masonry enclosure as per Australian & New Zealand standards AS/NZS 2918:2001.



Ignite inspiration in your home with new dimension in fireplace design, providing the height of elegance and quality

AXIS Projects

Exceptional architectural design, coupled with refined materials, our fireplace collection showcases the perfect merging of style and function, hand-made in the heart of France for the heart of your home.



Axis H1400
Melbourne 3000, VIC



Axis H1600XXL DS
Canberra, 2601, ACT





SCULPTTM

FIREPLACE
COLLECTION

1300 851 304
info@sculptfireplaces.com.au
www.sculptfireplaces.com.au